



US00D835959S

(12) **United States Design Patent**  
**Eardley**

(10) **Patent No.:** **US D835,959 S**

(45) **Date of Patent:** **\*\* Dec. 18, 2018**

(54) **PISTOL GRIP IMPACT TOOL**

(71) Applicant: **Ingersoll-Rand Company**, Davidson,  
NC (US)

(72) Inventor: **Edward Charles Eardley**, Easton, PA  
(US)

(73) Assignee: **Ingersoll-Rand Company**, Davidson,  
NC (US)

(\*\*) Term: **15 Years**

(21) Appl. No.: **29/628,892**

(22) Filed: **Dec. 8, 2017**

(51) **LOC (11) Cl.** ..... **08-04**

(52) **U.S. Cl.**  
USPC ..... **D8/67**

(58) **Field of Classification Search**  
USPC ..... D8/14.1, 61-70; 81/429, 454-456, 469,  
81/489; 173/104, 114, 168-171, 178,  
173/201, 211, 213, 217; 408/20, 124,  
408/125, 234; 388/809  
CPC ..... B25D 16/00; B25D 17/00; B25F 5/02  
See application file for complete search history.

(56) **References Cited**

U.S. PATENT DOCUMENTS

D237,455 S	*	11/1975	Schramm	.....	D15/132
D448,638 S	*	10/2001	Uhl	.....	D8/67
D496,243 S	*	9/2004	Huang	.....	D8/68
D497,787 S	*	11/2004	Liao	.....	D8/68
D590,681 S	*	4/2009	Palermo	.....	D8/68
D591,130 S	*	4/2009	Palermo	.....	D8/69
D602,322 S	*	10/2009	Chu	.....	D8/67

D638,682 S	*	5/2011	Knopp	.....	D8/67
D676,298 S	*	2/2013	Tully	.....	D8/67
D716,125 S		10/2014	Yaschur		
D805,365 S	*	12/2017	Ballard	.....	D8/69
2008/0047778 A1	*	2/2008	Chen	.....	B25B 21/00 181/175

\* cited by examiner

*Primary Examiner* — Austin Murphy  
(74) *Attorney, Agent, or Firm* — Taft Stettinius &  
Hollister LLP

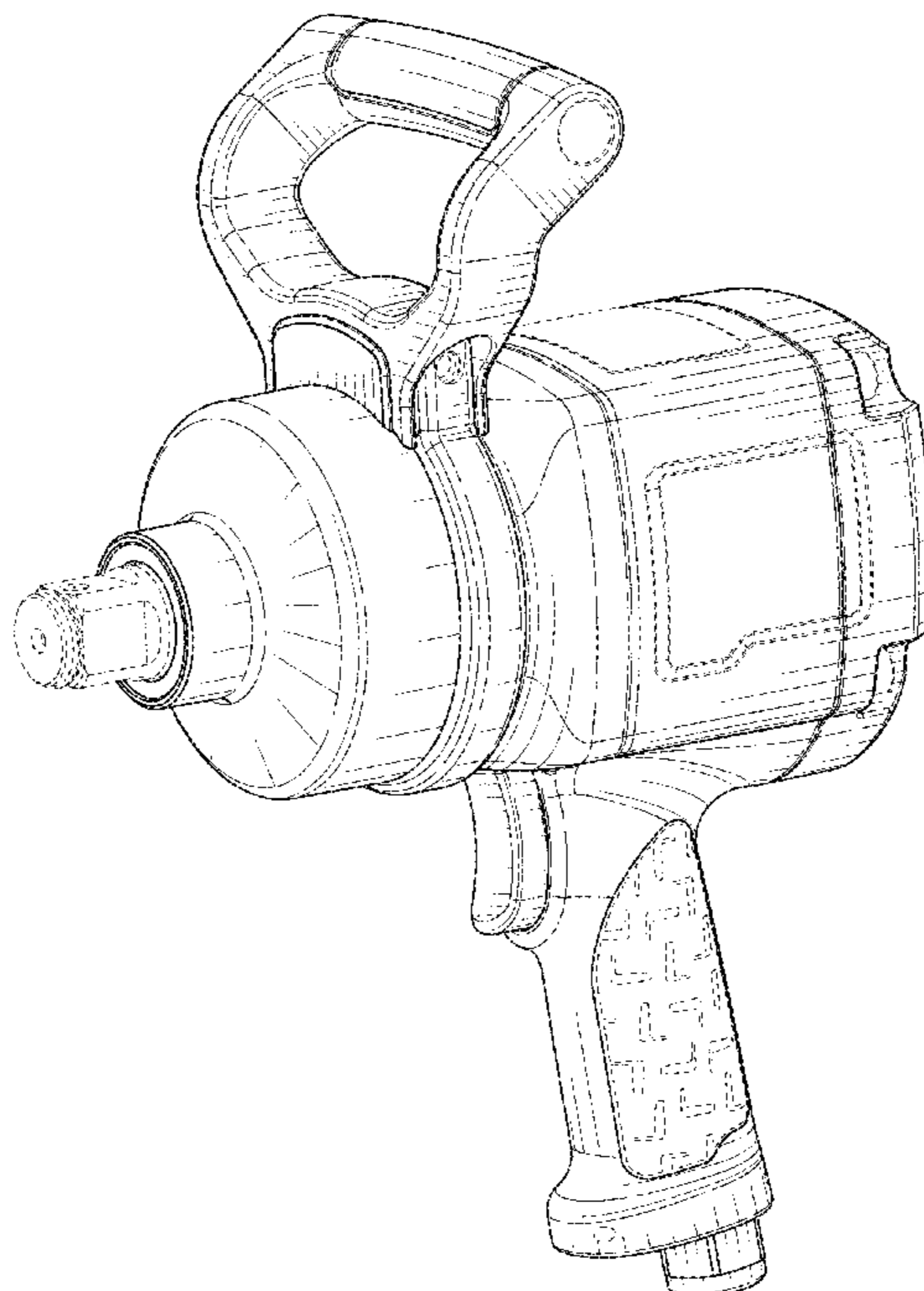
(57) **CLAIM**

The ornamental design for a pistol grip impact tool, as shown and described.

**DESCRIPTION**

FIG. 1 illustrates a perspective side view of an impact tool. FIG. 2 illustrates a left side view of the pistol grip impact tool shown in FIG. 1. FIG. 3 illustrates a right side view of the pistol grip impact tool shown in FIG. 1. FIG. 4 illustrates a front side view of the pistol grip impact tool shown in FIG. 1. FIG. 5 illustrates a back side view of the pistol grip impact tool shown in FIG. 1. FIG. 6 illustrates a top side view of the pistol grip impact tool shown in FIG. 1. FIG. 7 illustrates a bottom side view of the pistol grip impact tool shown in FIG. 1; and, FIG. 8 illustrates a rear perspective view of the pistol grip impact tool shown in FIG. 1. The broken lines shown in the figures are for purposes of illustrating portions of the pistol grip impact tool that form no part of the claimed design.

**1 Claim, 7 Drawing Sheets**



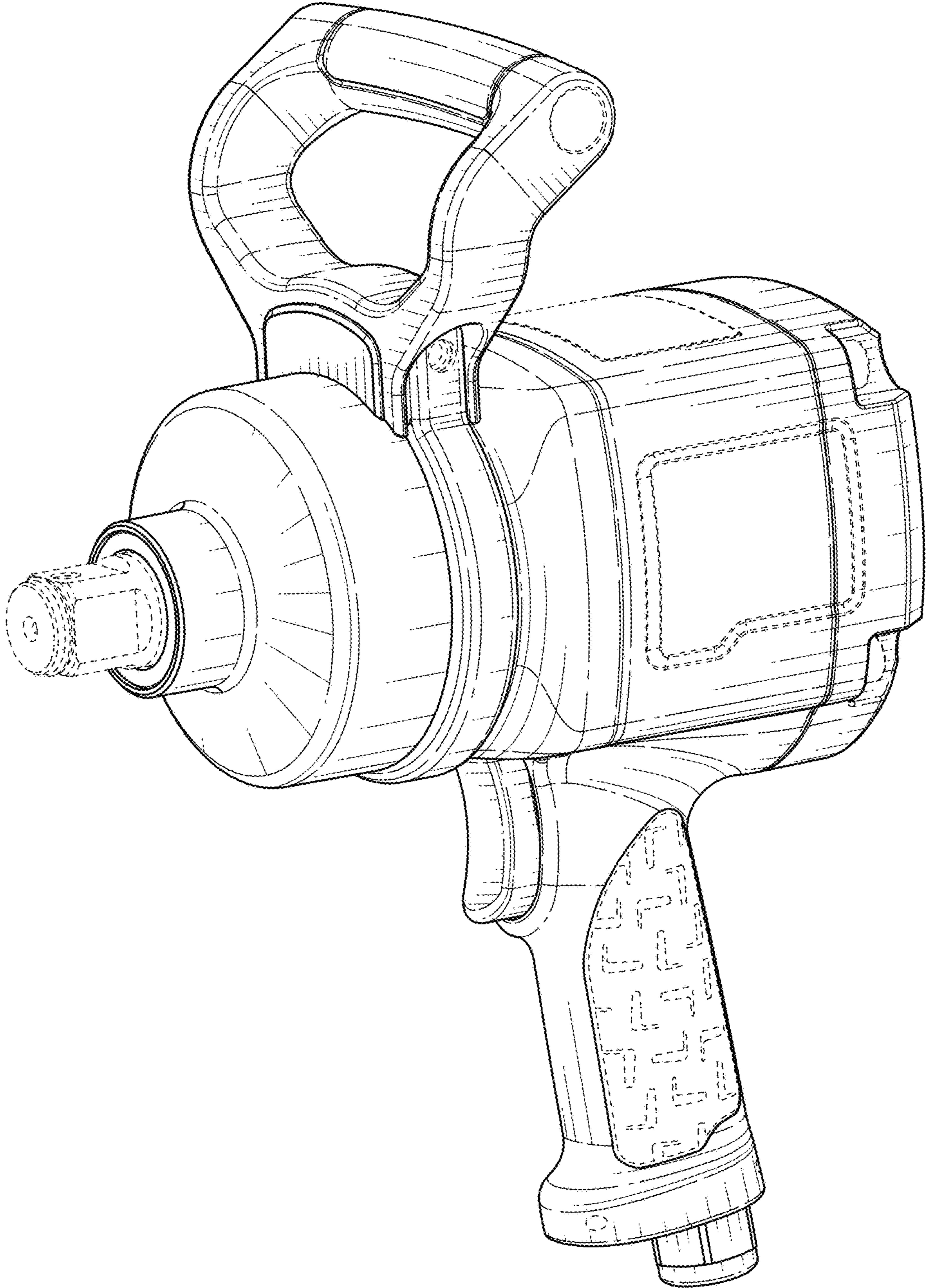


FIG. 1

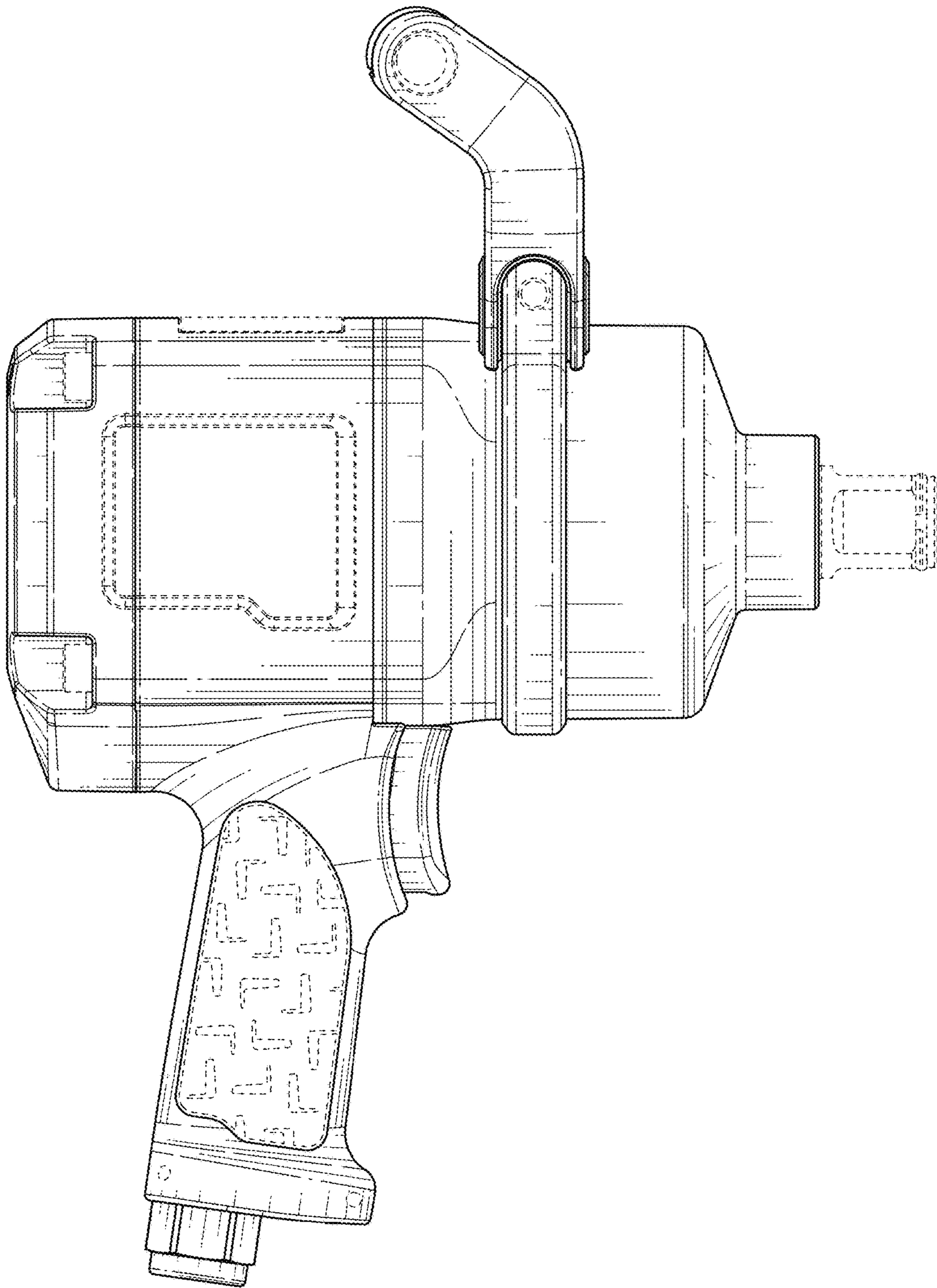


FIG. 2

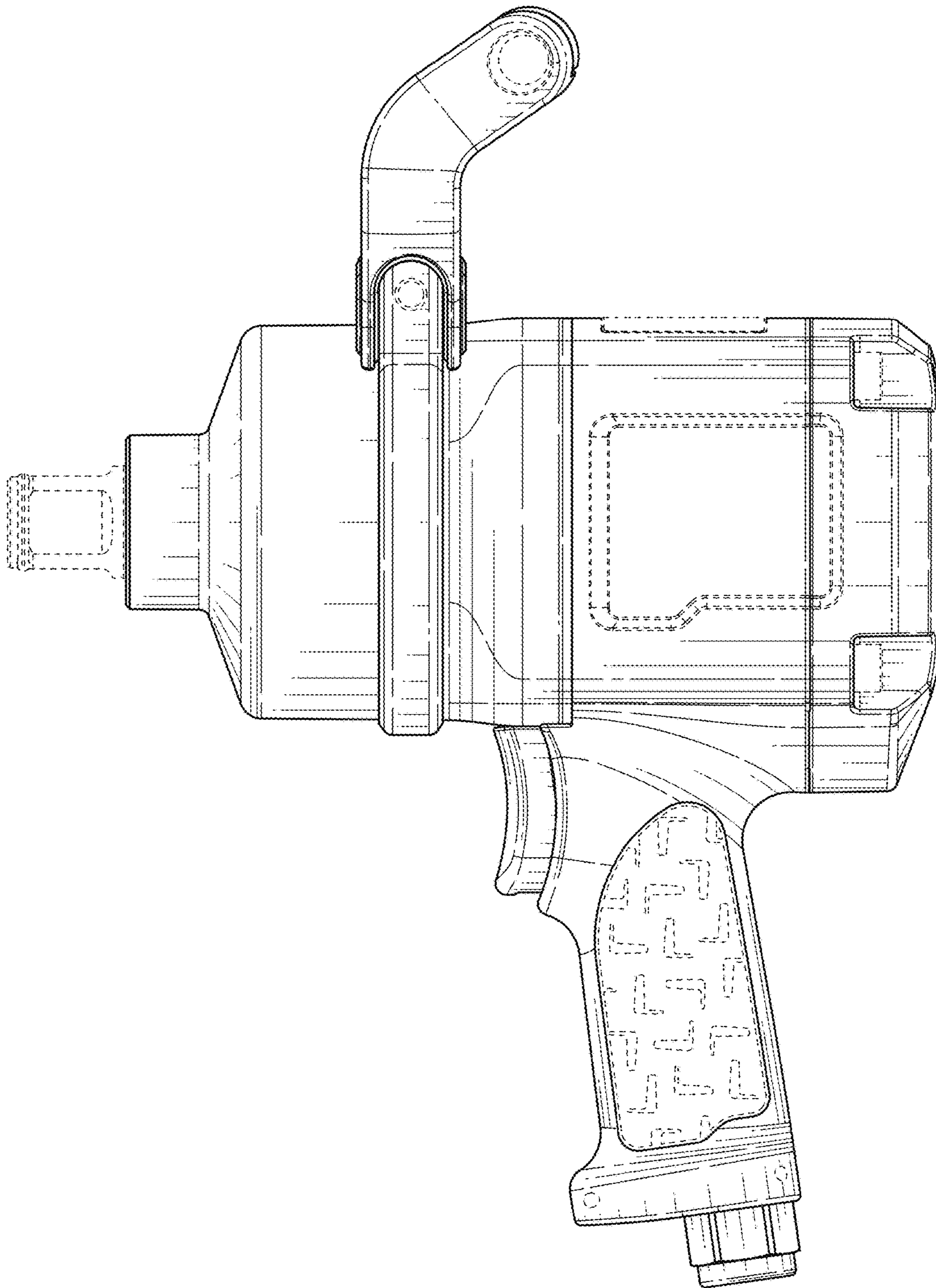


FIG. 3

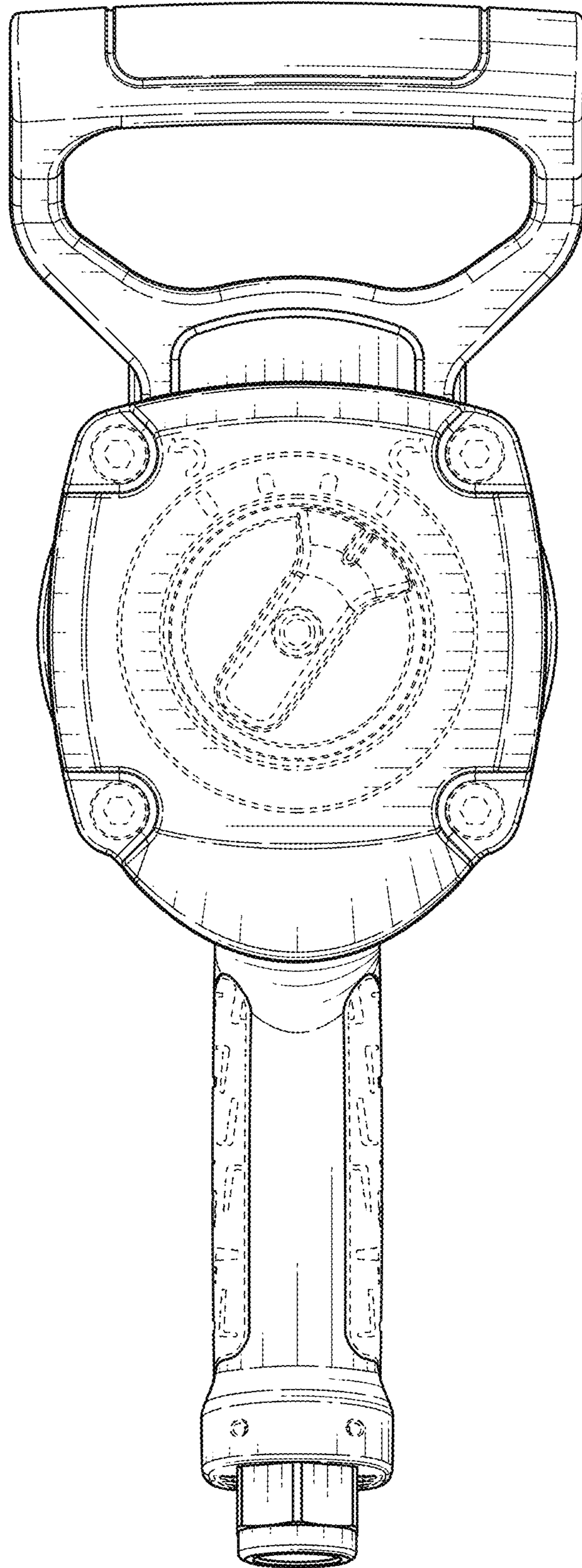


FIG. 4

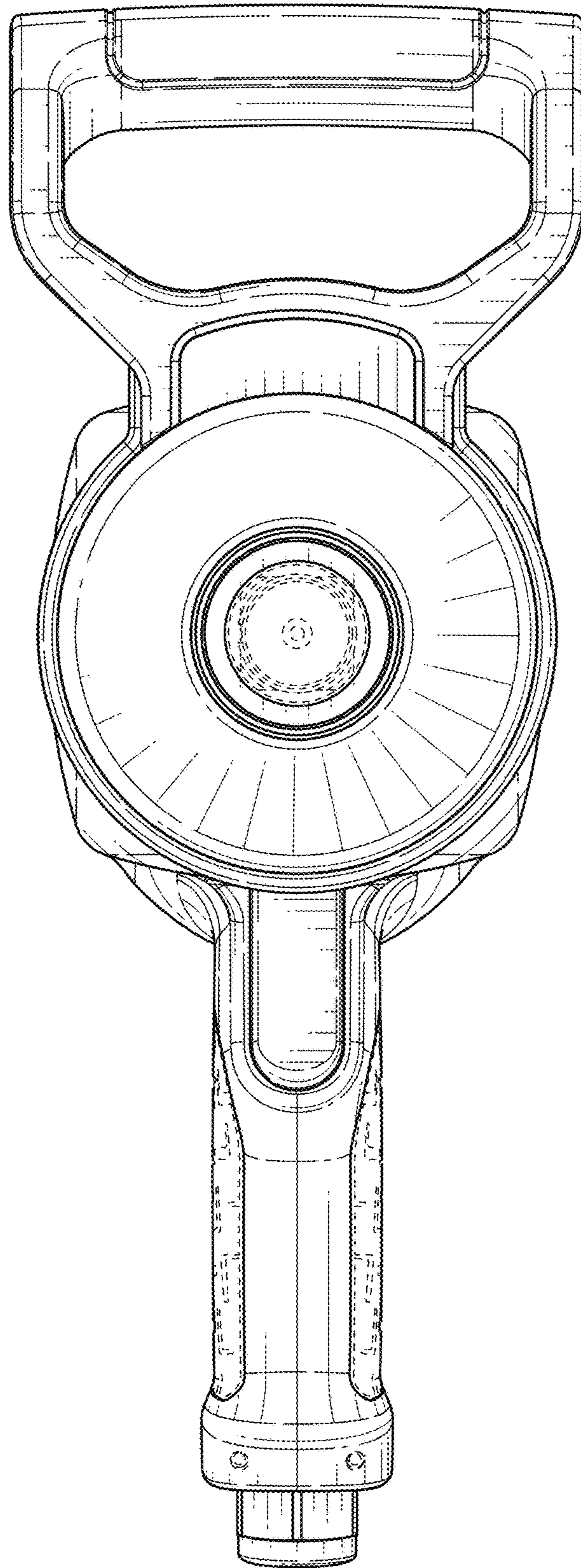


FIG. 5

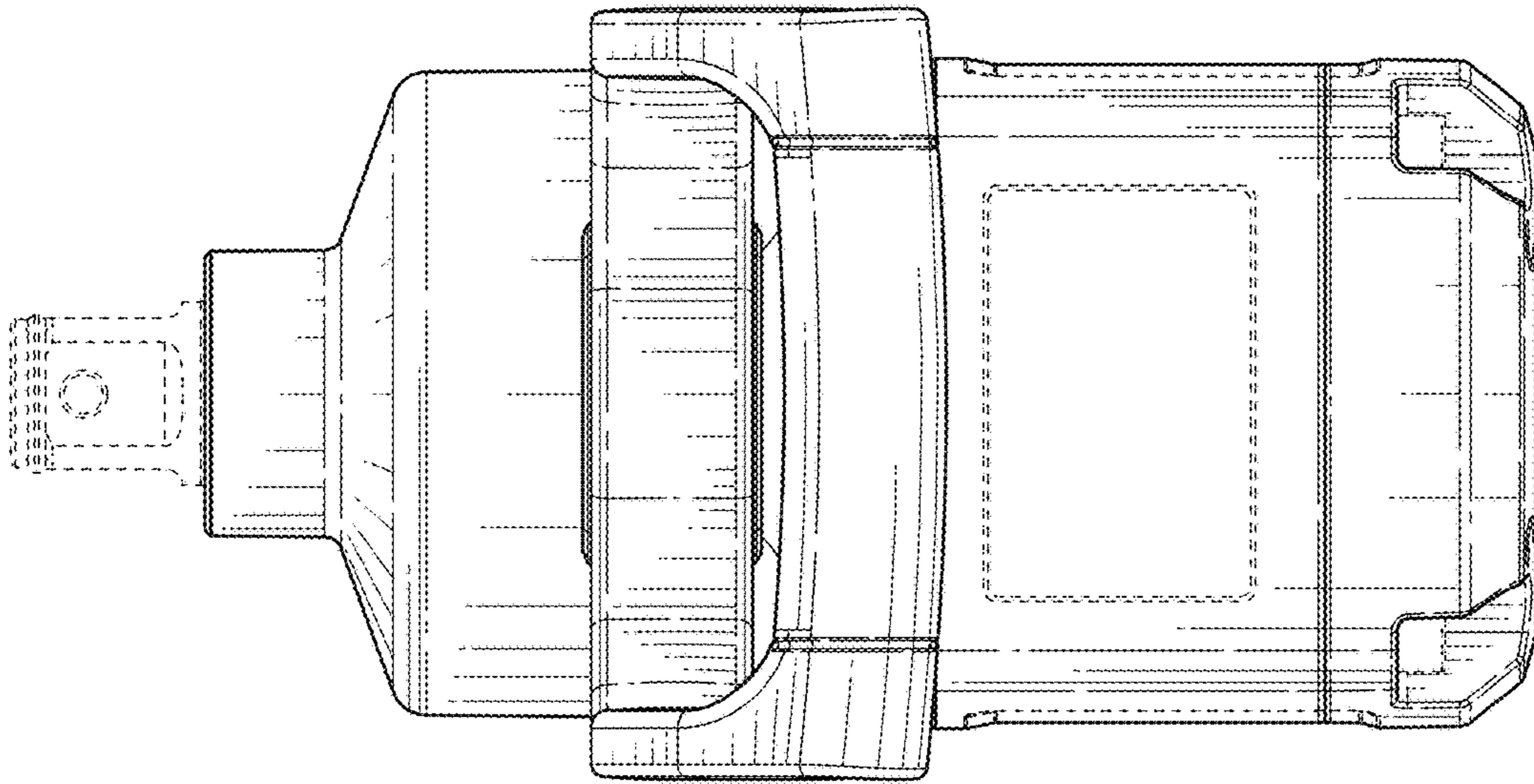


FIG. 6

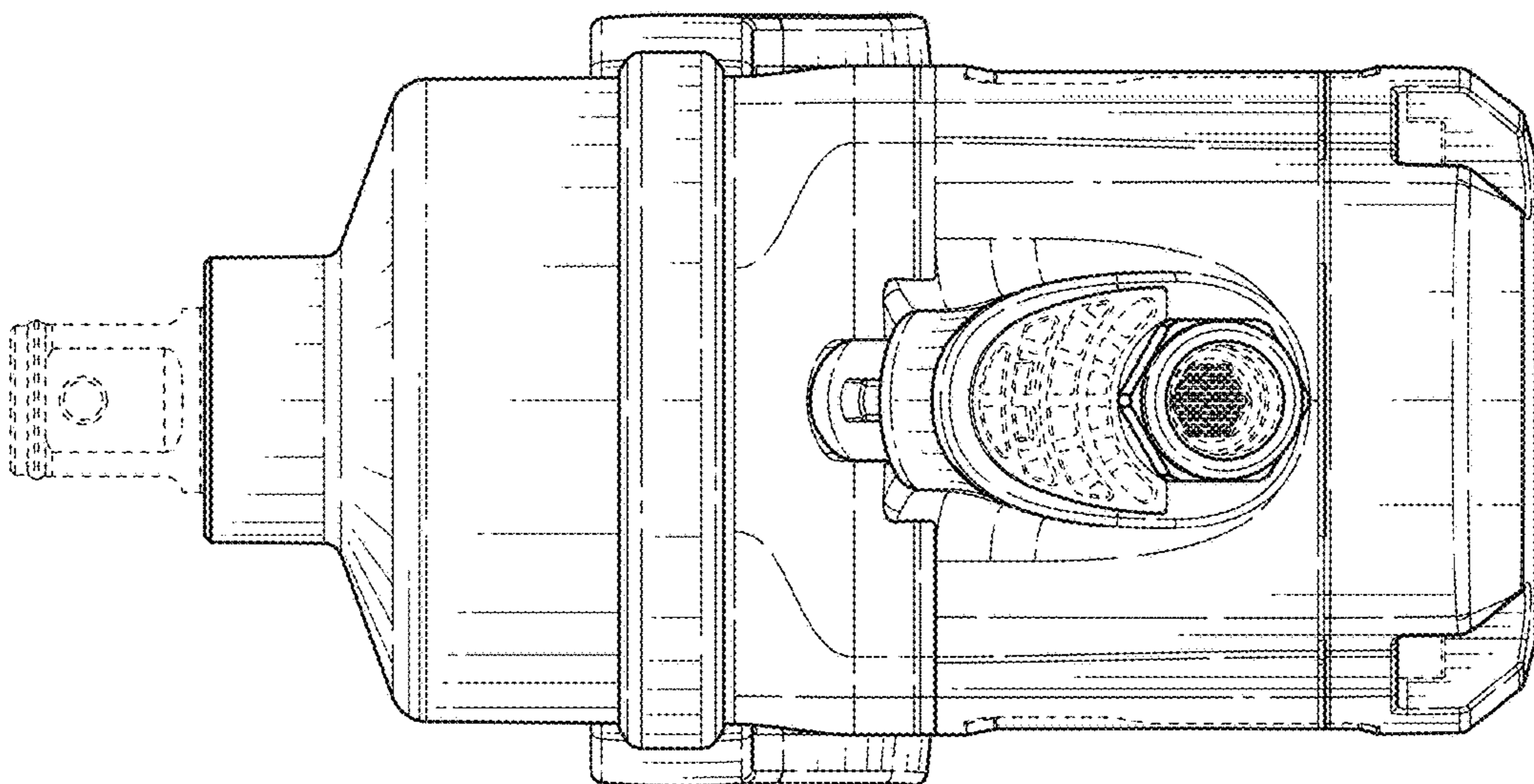


FIG. 7

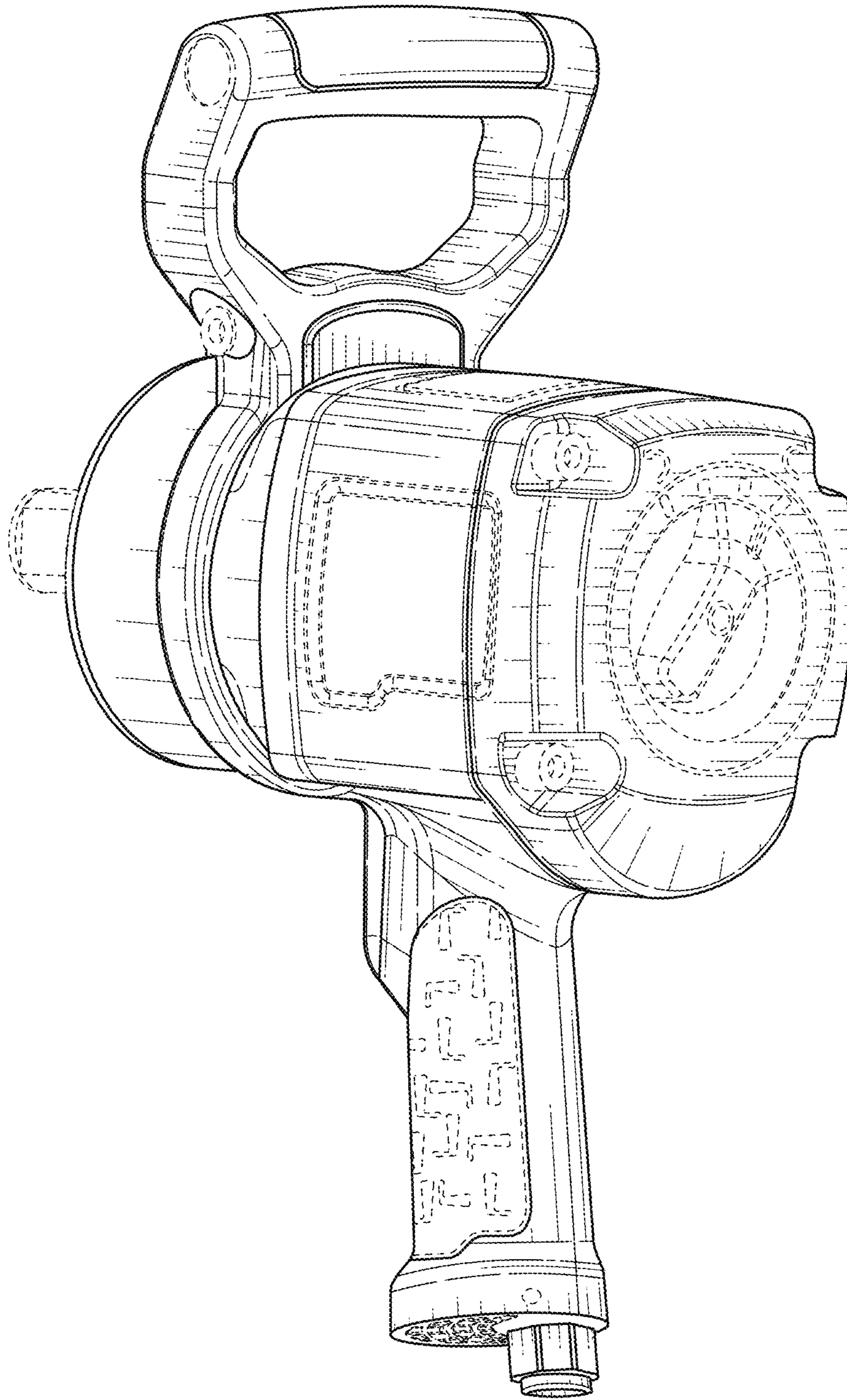


FIG.8