



US00D835953S

(12) **United States Design Patent** (10) **Patent No.:** **US D835,953 S**
Meyer (45) **Date of Patent:** **** Dec. 18, 2018**

- (54) **TRAY FOR MODULAR GREEN ROOF SYSTEM** 4,251,951 A 2/1981 Heinstedt
- 4,434,576 A 3/1984 Sowerwine
- 4,622,775 A 11/1986 Glenn et al.
- 4,756,119 A 7/1988 Chabot
- (71) Applicant: **Molly Meyer, LLC**, Chicago, IL (US) 4,926,586 A * 5/1990 Nagamatsu E04D 11/002
47/65.9
- (72) Inventor: **Molly Meyer**, Chicago, IL (US) 5,187,894 A 2/1993 Ripley, Sr. et al.
- 5,309,846 A 5/1994 Peterson
- (73) Assignee: **Molly Meyer, LLC**, Chicago, IL (US) RE35,006 E 8/1995 Ripley, Sr. et al.
- 5,467,555 A 11/1995 Ripley, Sr. et al.
- (**) Term: **15 Years** D422,769 S * 4/2000 Schmitt D34/38
- 6,178,690 B1 1/2001 Yoshida et al.
- (21) Appl. No.: **29/632,462** 6,536,361 B1 3/2003 Wu
- 6,606,823 B1 8/2003 McDonough et al.
- (22) Filed: **Jan. 8, 2018** 6,711,851 B2 3/2004 Mischo
- 6,862,842 B2 3/2005 Mischo

(Continued)

Related U.S. Application Data

- (63) Continuation of application No. 15/485,325, filed on Apr. 12, 2017, which is a continuation of application No. 13/790,299, filed on Mar. 8, 2013.
- (51) **LOC (11) Cl.** **08-01**
- (52) **U.S. Cl.**
USPC **D8/1; D11/155**
- (58) **Field of Classification Search**
USPC D8/1; D25/113, 164; D11/143–156
CPC . A01G 9/02; A01G 9/028; A01G 9/28; A01G 9/16; A01G 9/00; A01G 9/024; A01G 9/033
See application file for complete search history.

References Cited

U.S. PATENT DOCUMENTS

- 1,496,062 A 6/1924 Luhrs
- 2,134,647 A 10/1938 Savage
- D218,629 S * 9/1970 Hasselbach D11/156
- 3,698,623 A 10/1972 Bixler
- 3,938,281 A 2/1976 Ingerstedt et al.
- 3,944,070 A * 3/1976 Cardwell B65D 19/004
108/53.1
- 4,083,670 A 4/1978 Reifers et al.
- D248,935 S 8/1978 Stutelberg et al.

Primary Examiner — Sheryl Lane

(74) *Attorney, Agent, or Firm* — Woodard, Emhardt, Moriarty, McNett & Henry, LLP; Charles Meyer

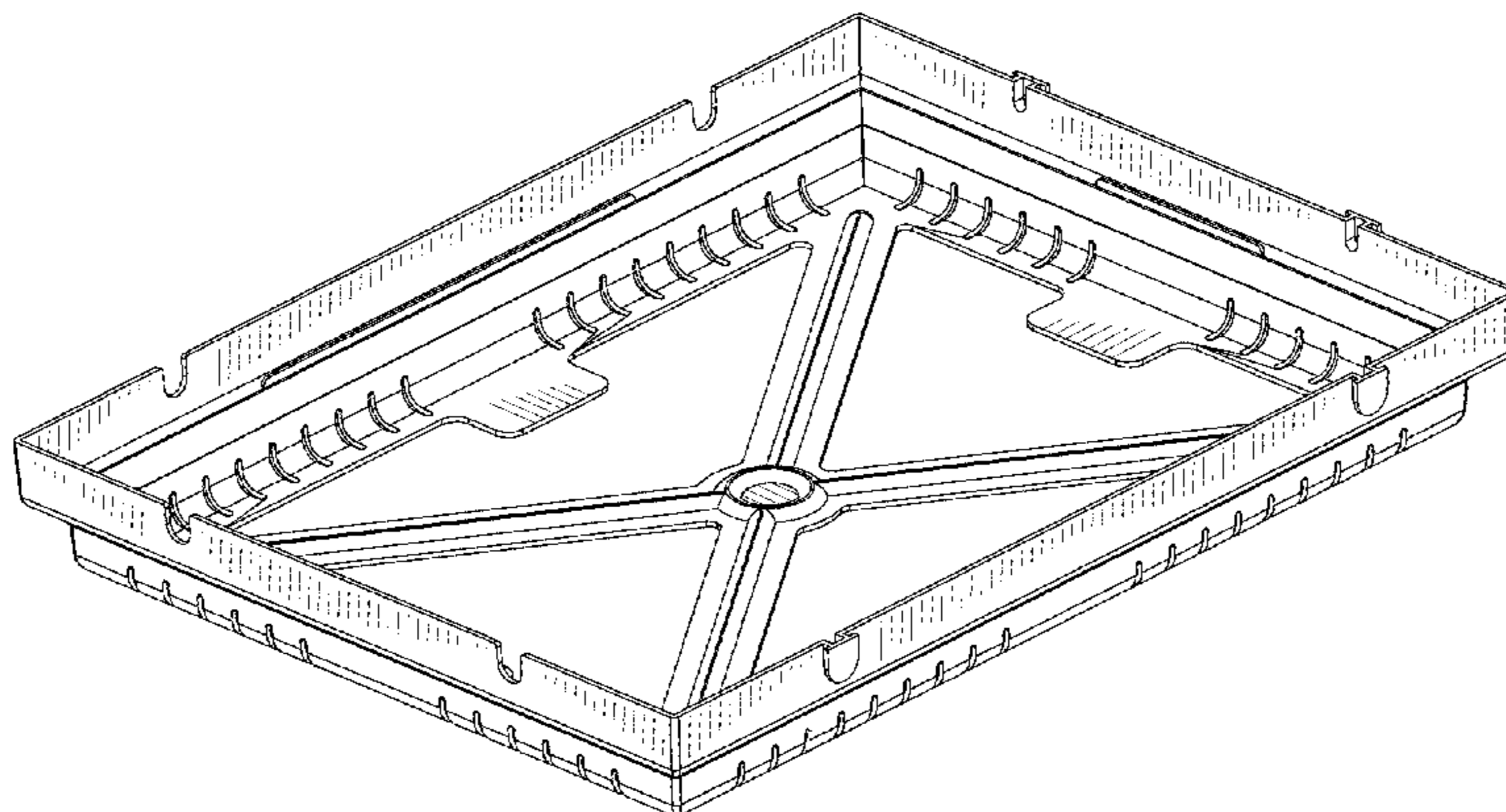
(57) **CLAIM**

The ornamental design for a tray for a modular green roof system, as shown and described.

DESCRIPTION

FIG. 1 is a top perspective view of a tray for a modular green roof system.
 FIG. 2 is a top view of a tray for a modular green roof system.
 FIG. 3 is a bottom view of a tray for a modular green roof system.
 FIG. 4 is a right side view of a tray for a modular green roof system.
 FIG. 5 is a left side view of a tray for a modular green roof system.
 FIG. 6 is a front view of a tray for a modular green roof system; and,
 FIG. 7 is a back view of a tray for a modular green roof system.

1 Claim, 5 Drawing Sheets



(56)

References Cited

U.S. PATENT DOCUMENTS

D507,204 S	7/2005	Chang	2007/0261299 A1	11/2007	Kephart
7,387,823 B2	6/2008	Waterford	2008/0168710 A1	7/2008	MacKenzie
7,392,616 B1	7/2008	Bagby	2009/0260284 A1	10/2009	Barbalho
7,603,808 B2	10/2009	Carpenter et al.	2009/0277087 A1	11/2009	Kim
7,637,056 B2	12/2009	Tajima et al.	2009/0320364 A1	12/2009	MacKenzie
7,726,071 B2	6/2010	Carpenter	2010/0025347 A1	2/2010	Wetering
7,805,885 B2	10/2010	Lockett	2010/0058657 A1	3/2010	Fishburn
D627,257 S *	11/2010	Blevins D11/155	2011/0030274 A1	2/2011	Buist
7,900,397 B2	3/2011	Mischo	2011/0113702 A1	5/2011	Hasan
7,966,779 B1	6/2011	Horvath	2011/0167724 A1	7/2011	Mischo
7,997,027 B1	8/2011	Mischo	2011/0192081 A1	8/2011	MacKenzie
8,365,467 B1	2/2013	Livingston	2011/0192084 A1	8/2011	MacKenzie
9,015,992 B1	4/2015	Livingston	2011/0197523 A1	8/2011	Dubner
D758,918 S *	6/2016	Smith D11/155	2011/0232174 A1	9/2011	Mills
D776,565 S *	1/2017	Butler D11/155	2011/0289839 A1	12/2011	Cronk et al.
2004/0251703 A1	12/2004	Griffith et al.	2011/0308176 A1	12/2011	Byles
2006/0242901 A1	11/2006	Casimaty et al.	2012/0090256 A1	4/2012	Andrews
2007/0094927 A1	5/2007	Perry	2012/0227319 A1	9/2012	Jaslow
2007/0101646 A1	5/2007	Licht	2013/0031833 A1	2/2013	MacKinnon
			2013/0167440 A1	7/2013	Fischer et al.
			2014/0250782 A1	9/2014	Visser et al.

* cited by examiner

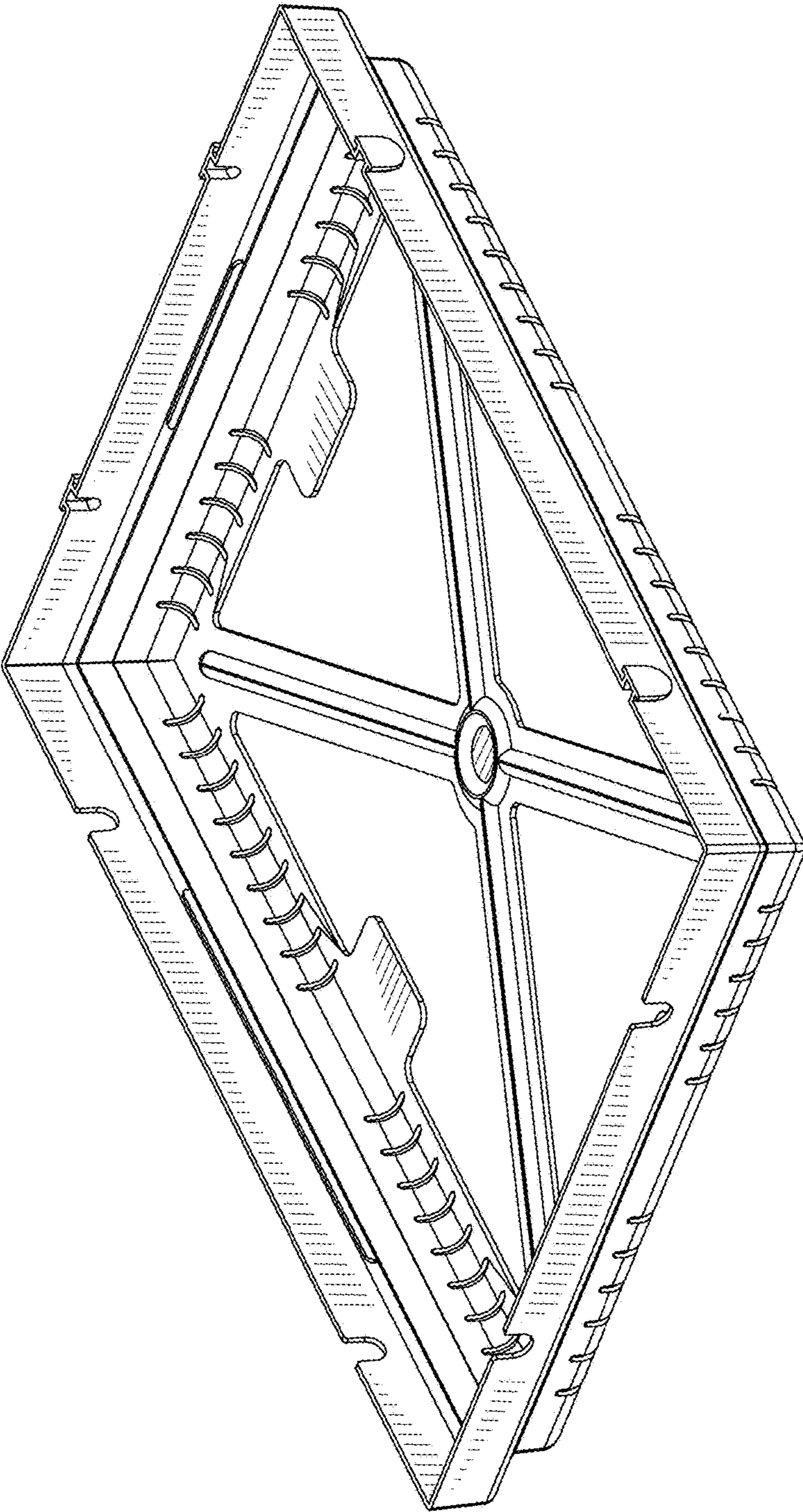


Fig. 1

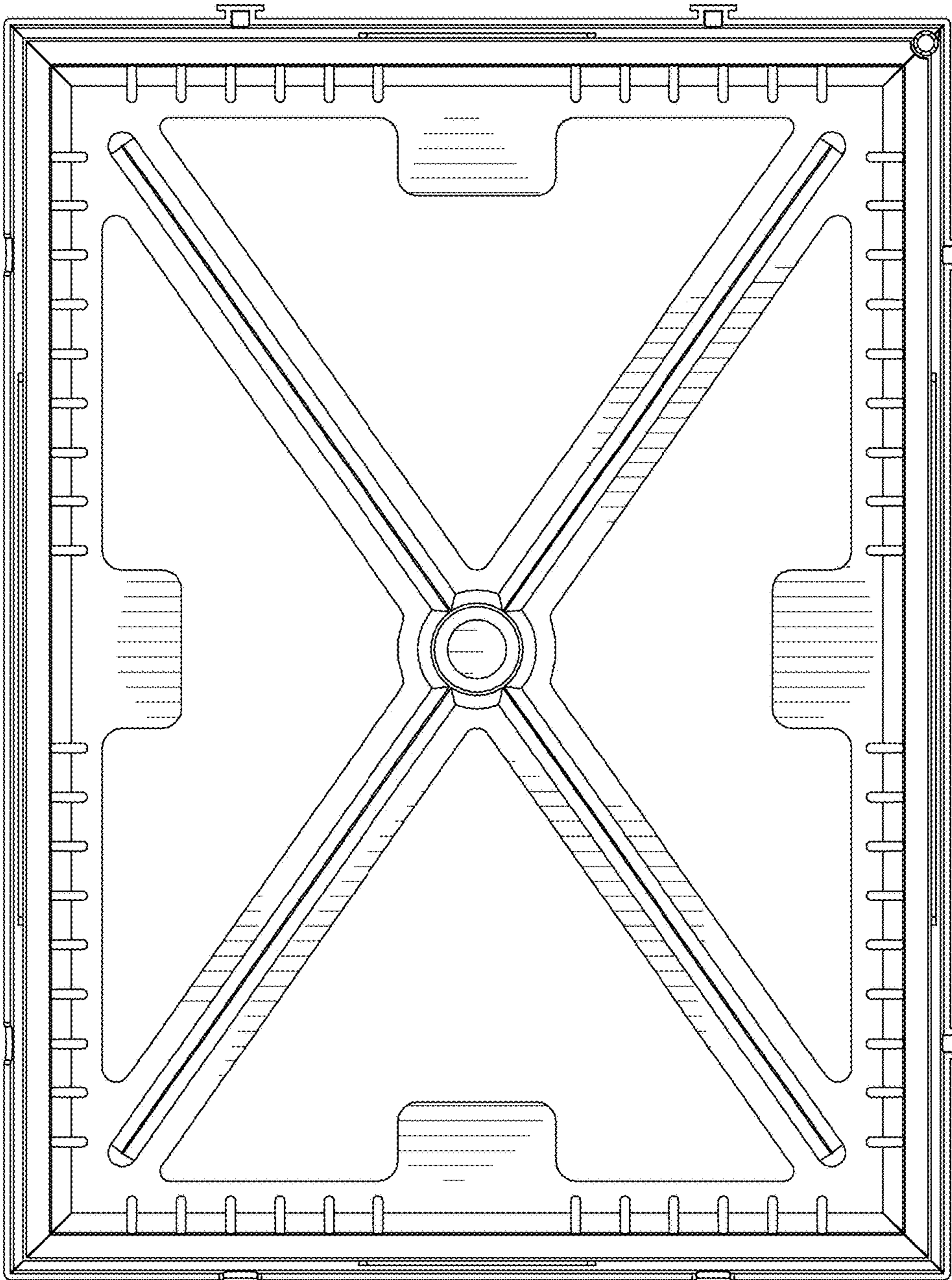


Fig. 2

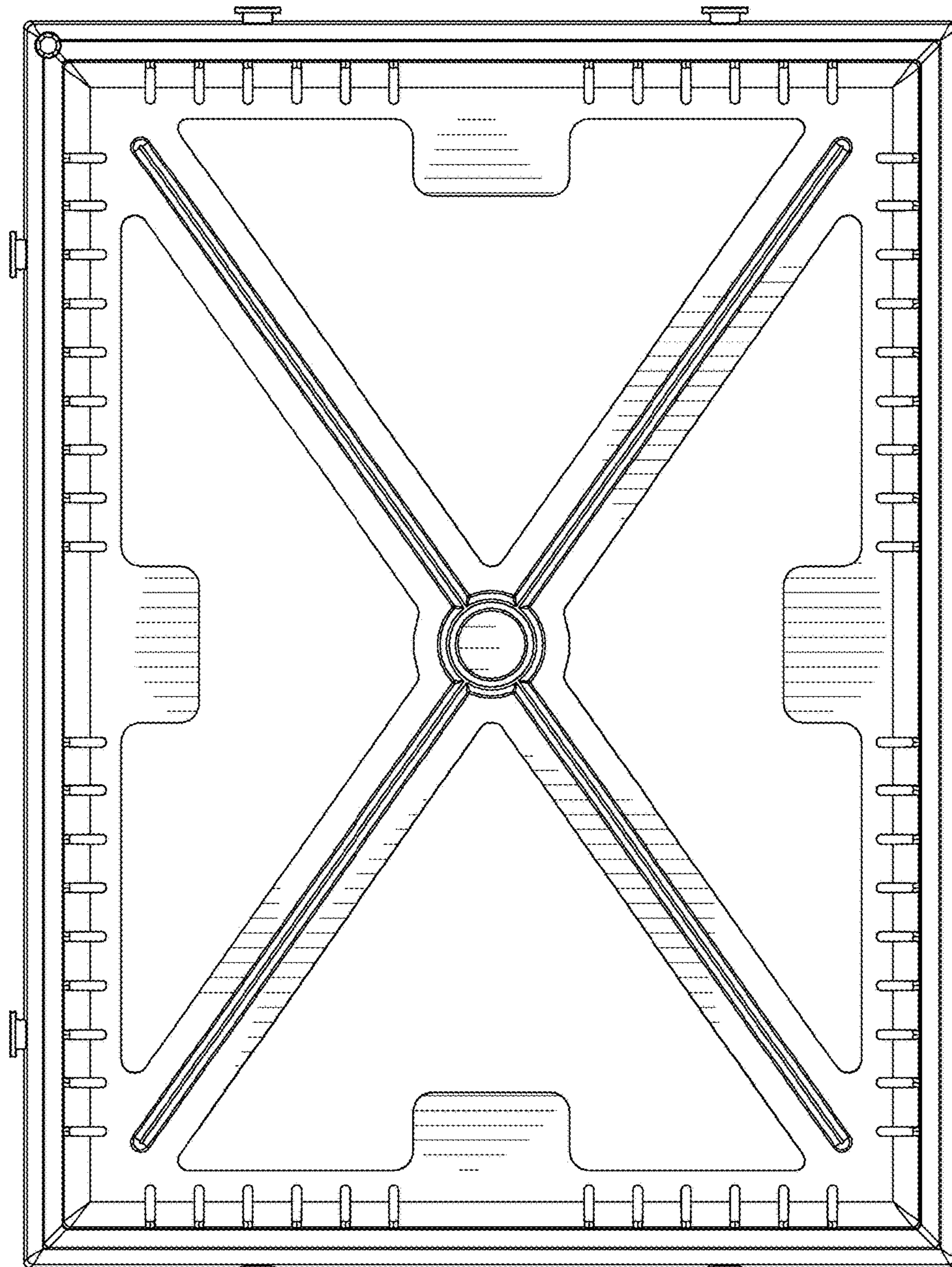


Fig. 3

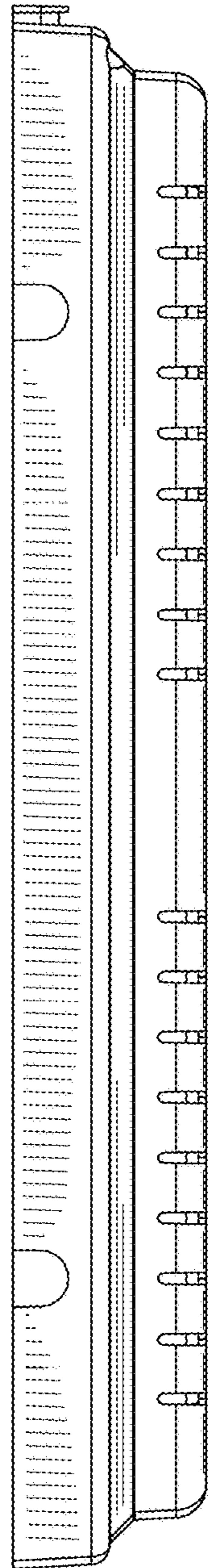


Fig. 4

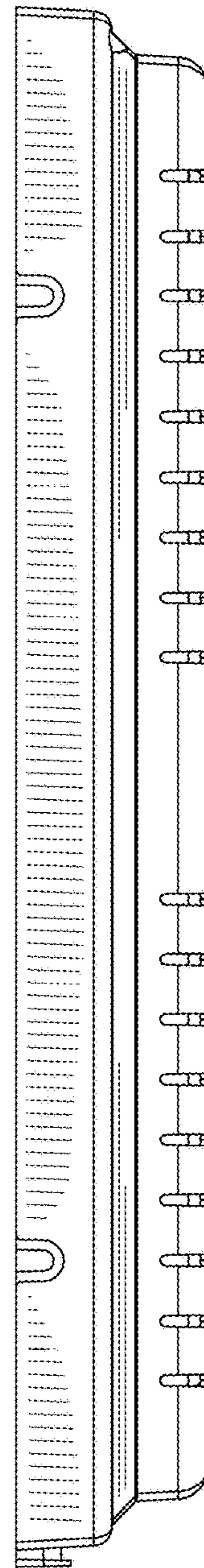


Fig. 5

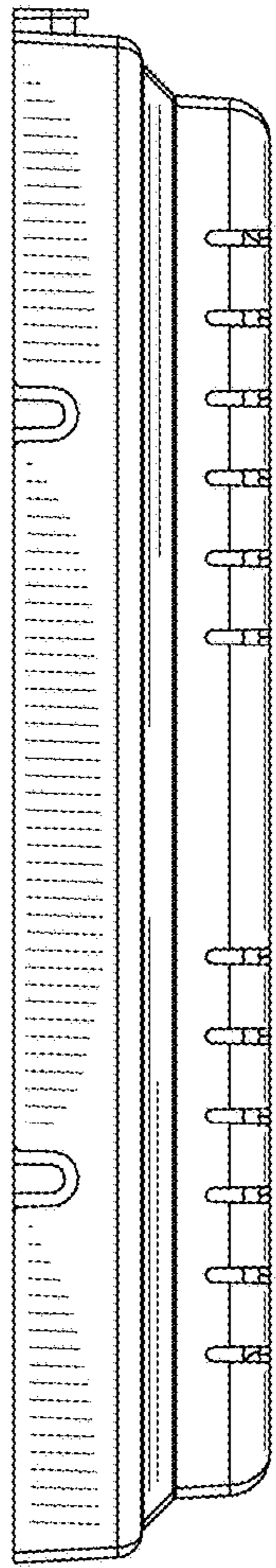


Fig. 6

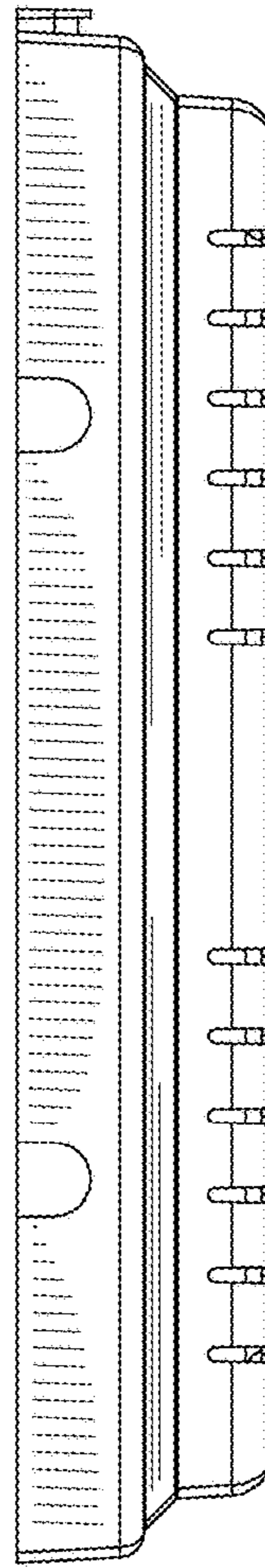


Fig. 7