



US00D835952S

(12) **United States Design Patent**
Deckard

(10) **Patent No.:** **US D835,952 S**

(45) **Date of Patent:** **** Dec. 18, 2018**

(54) **EXPANDABLE DOGGY LADLE**

(71) Applicant: **Daniel Deckard**, Riverside, CA (US)

(72) Inventor: **Daniel Deckard**, Riverside, CA (US)

(**) Term: **15 Years**

(21) Appl. No.: **29/607,503**

(22) Filed: **Jun. 14, 2017**

(51) **LOC (11) Cl.** **07-02**

(52) **U.S. Cl.**
USPC **D7/691**

(58) **Field of Classification Search**
USPC D7/680-696, 393, 395; D8/107, 300,
D8/301
CPC A47J 43/281; A47J 43/283; A47J 43/288;
A47G 21/04; A01B 1/02; A47F 13/08
See application file for complete search history.

(56) **References Cited**

U.S. PATENT DOCUMENTS

- 821,700 A * 5/1906 Burkins F17C 5/06
141/18
- 3,822,020 A * 7/1974 Hong A47J 43/281
210/248
- D236,066 S * 7/1975 Best 30/324
- D274,777 S * 7/1984 Wolff D7/681

- D302,639 S * 8/1989 Charm D7/691
- D305,491 S * 1/1990 Levie D7/691
- D394,611 S * 5/1998 La Gro D10/46.2

* cited by examiner

Primary Examiner — Terry A Wallace

(74) *Attorney, Agent, or Firm* — Grant's Law Firm; Allan Grant

(57) **CLAIM**

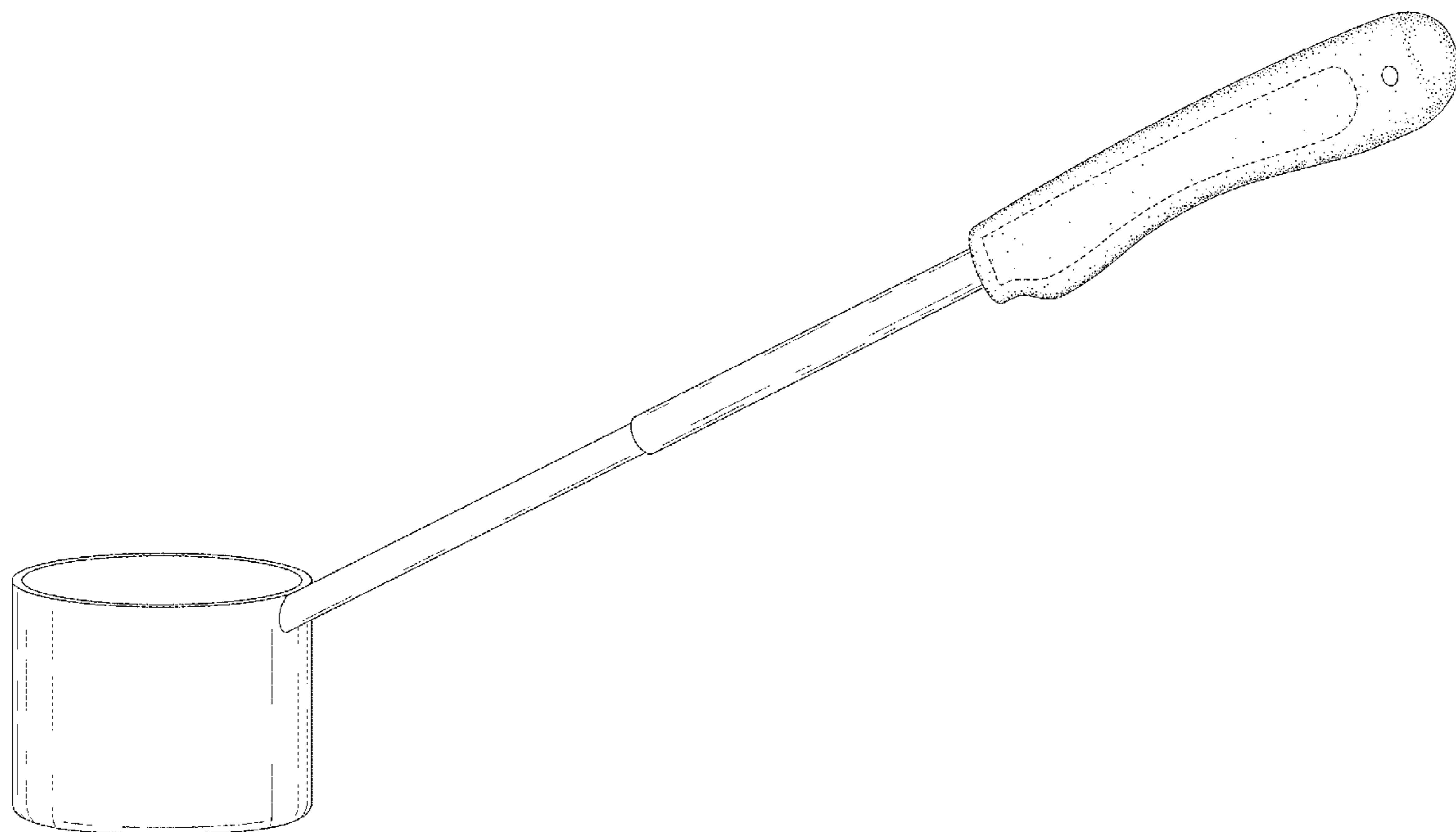
I claim the ornamental design for an expandable doggy ladle, as shown and as described.

DESCRIPTION

FIG. 1 is a perspective view of the expandable doggy ladle. FIG. 2 is the front view of the expandable doggy ladle. FIG. 3 is a back view of the expandable doggy ladle. FIG. 4 is a side view of the expandable doggy ladle. FIG. 5 is the other side view of the expandable doggy ladle. FIG. 6 is a top view of the expandable doggy ladle. FIG. 7 is bottom view of the expandable doggy ladle. FIG. 8 is a perspective view of the expandable doggy ladle when the handle is retracted; and, FIG. 9 is a perspective view of the expandable doggy ladle when the handle is expanded.

The broken lines on the handle are for illustrative purposes only and form no part of the claimed design. The portions of the article between the break lines in FIG. 9 forms no part of the claimed design.

1 Claim, 7 Drawing Sheets



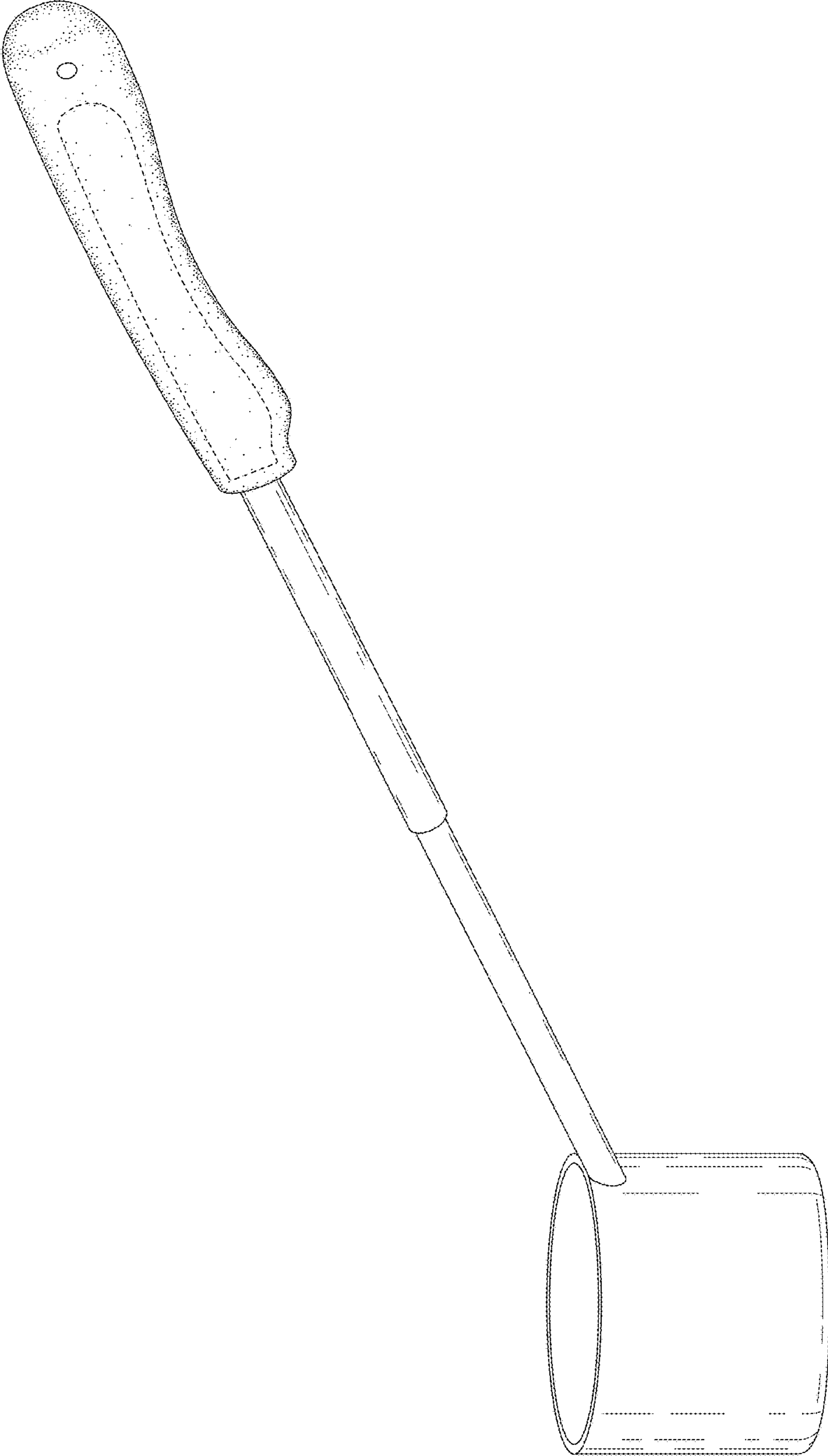


Fig. 1

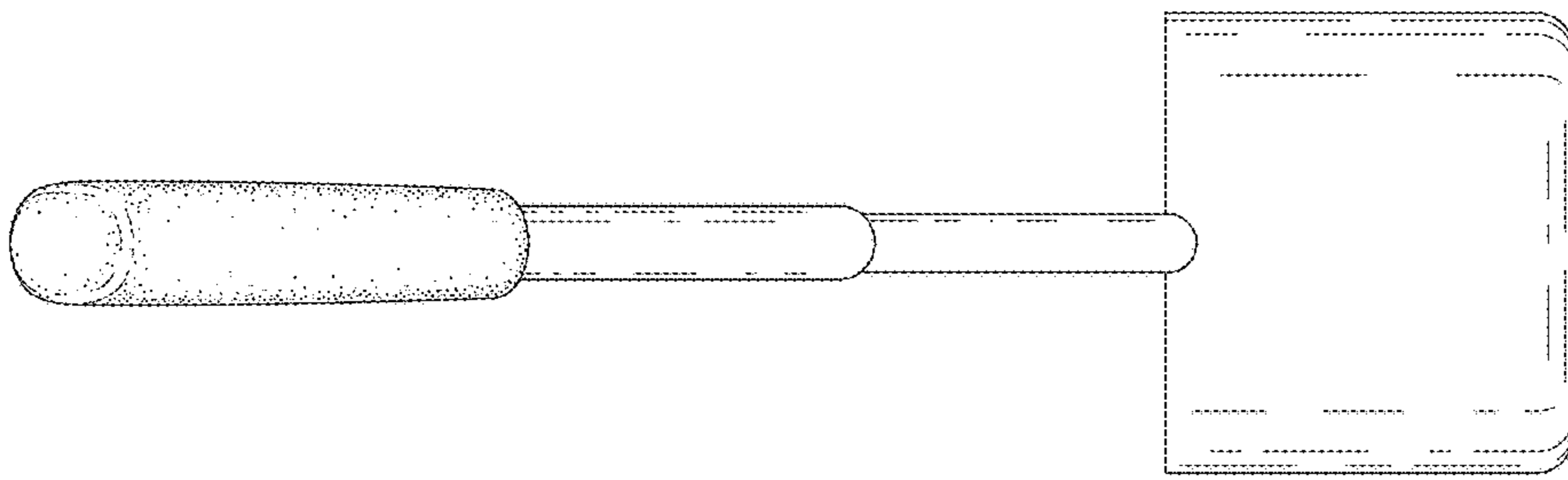


Fig. 3

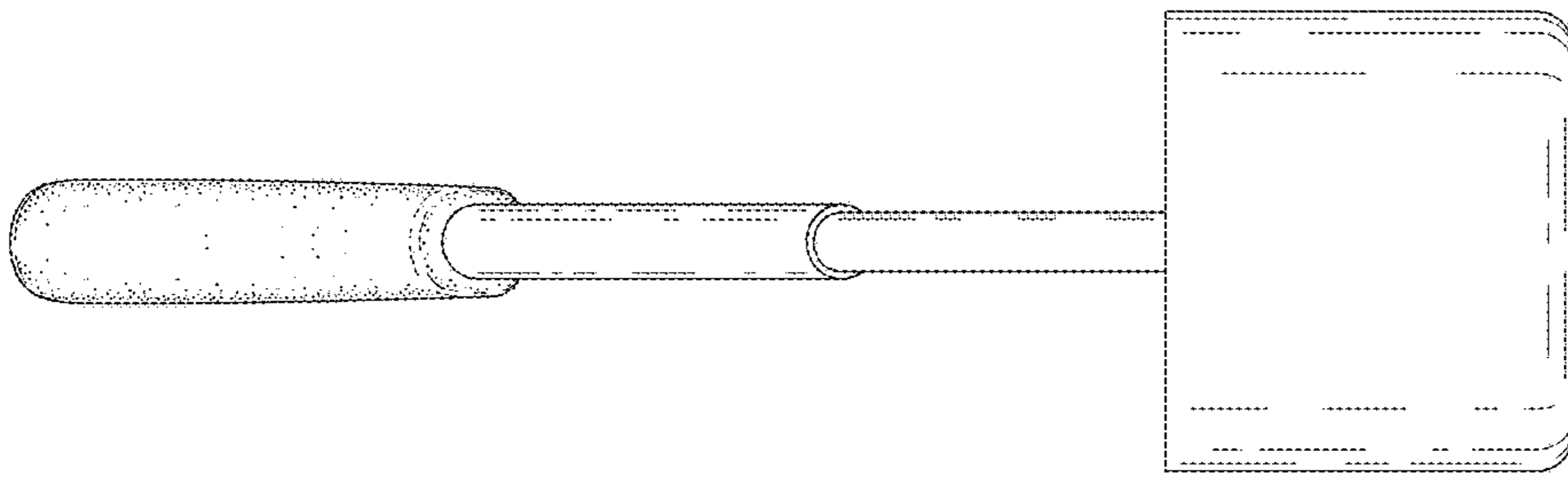


Fig. 2

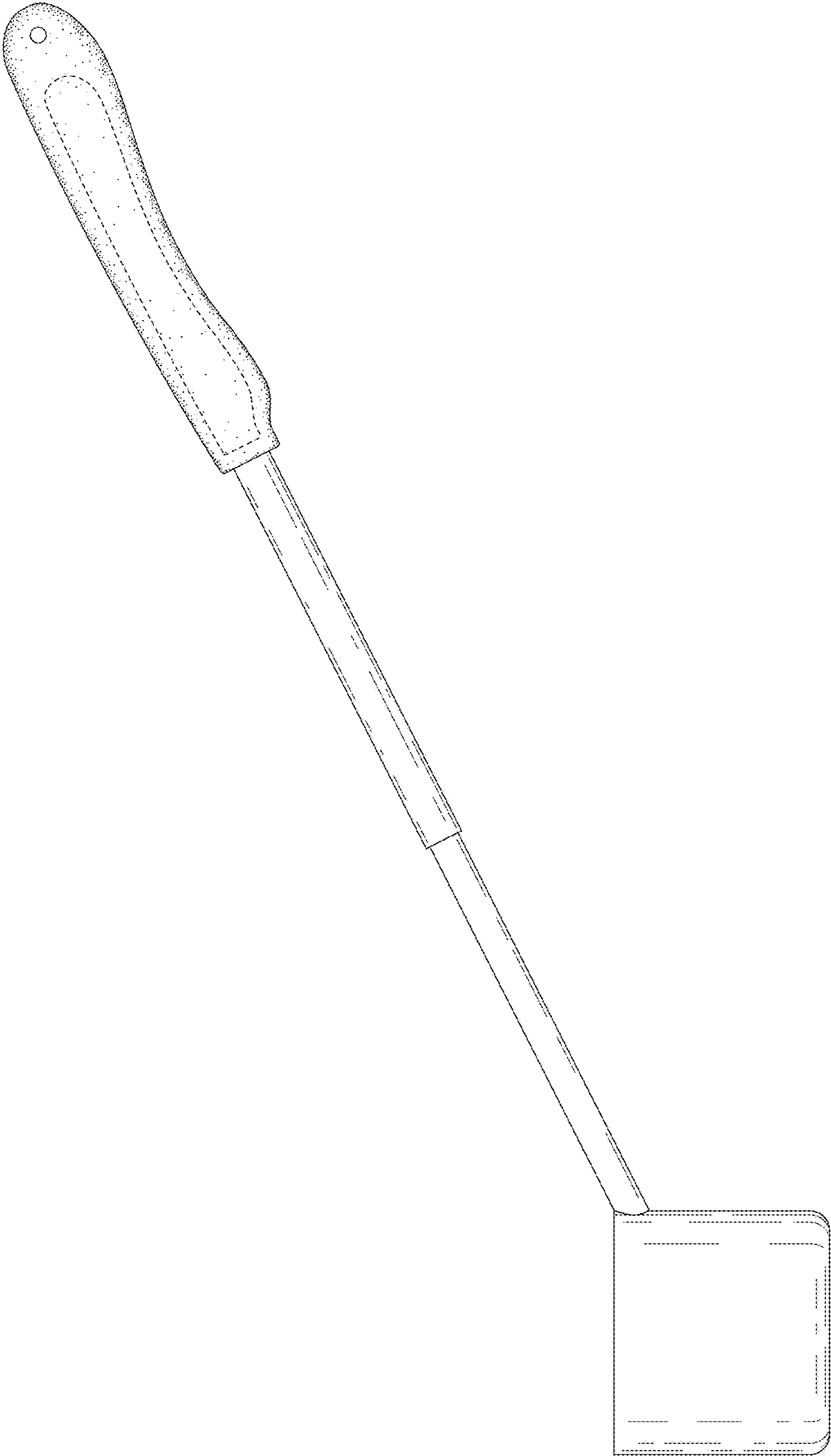


Fig. 4

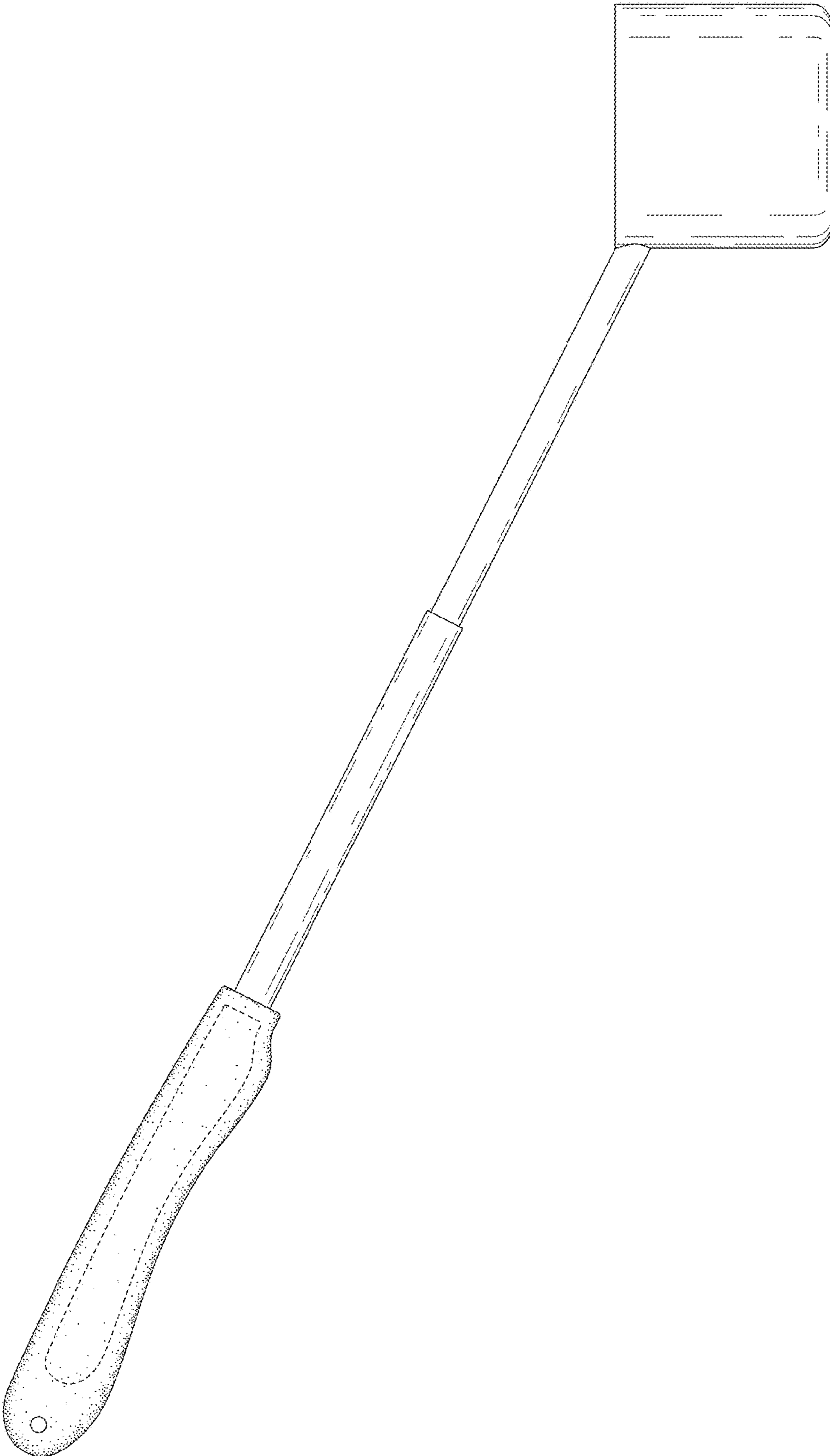


Fig. 5

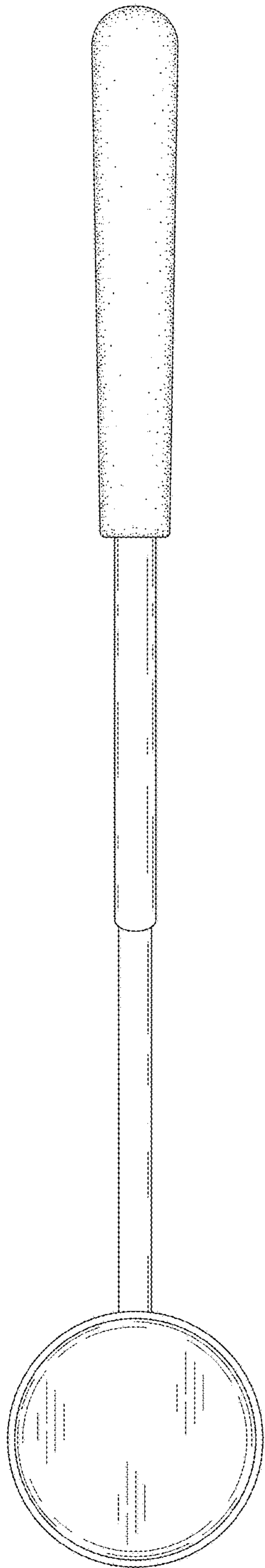


Fig. 6

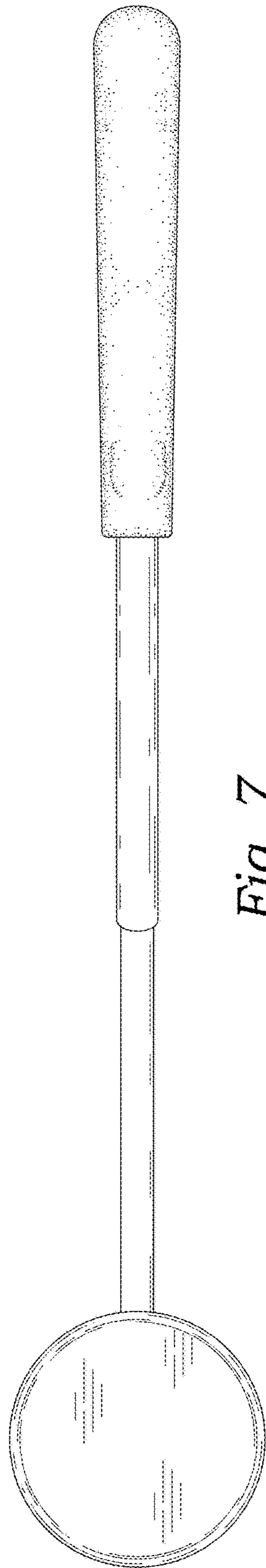


Fig. 7

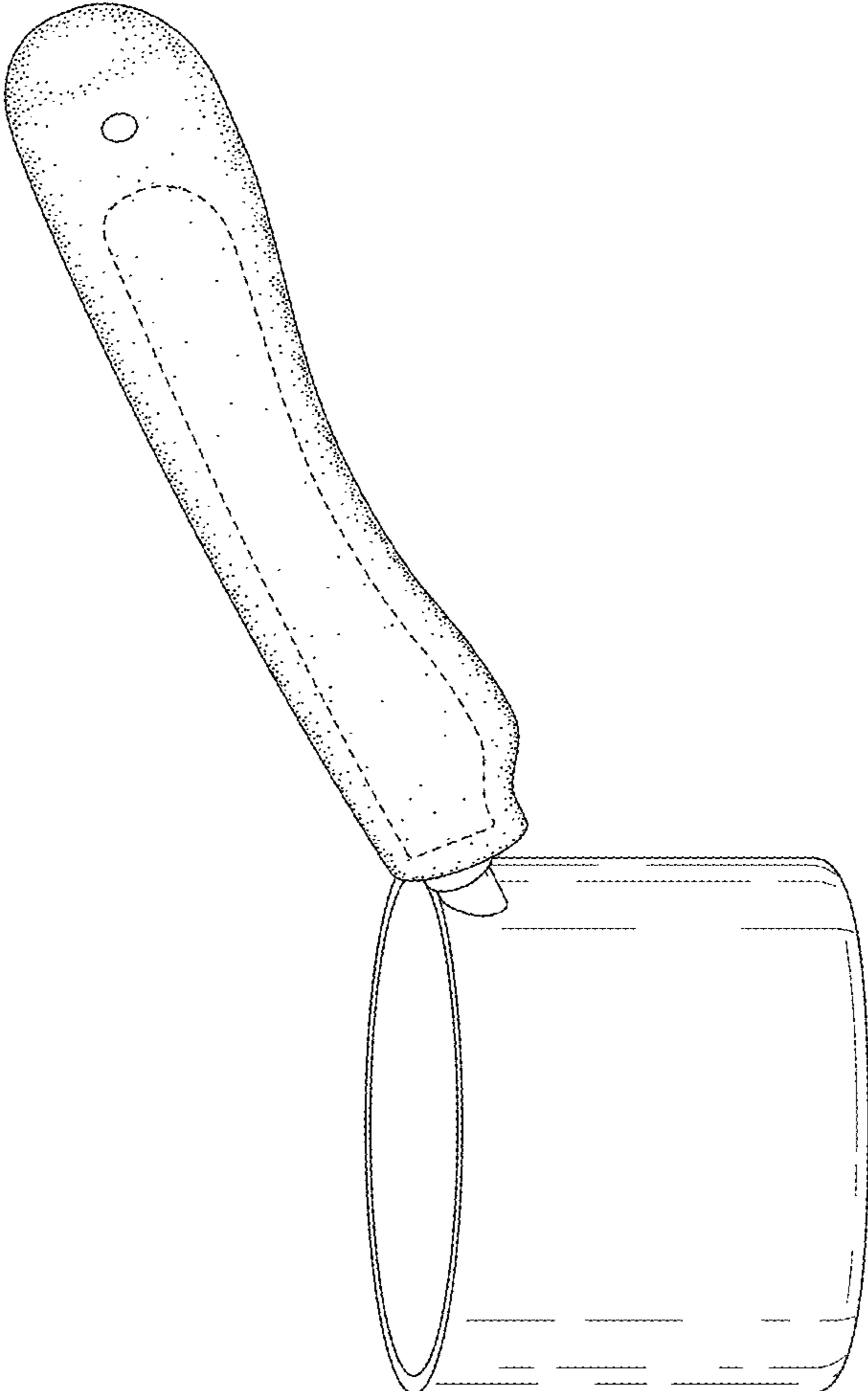


Fig. 8

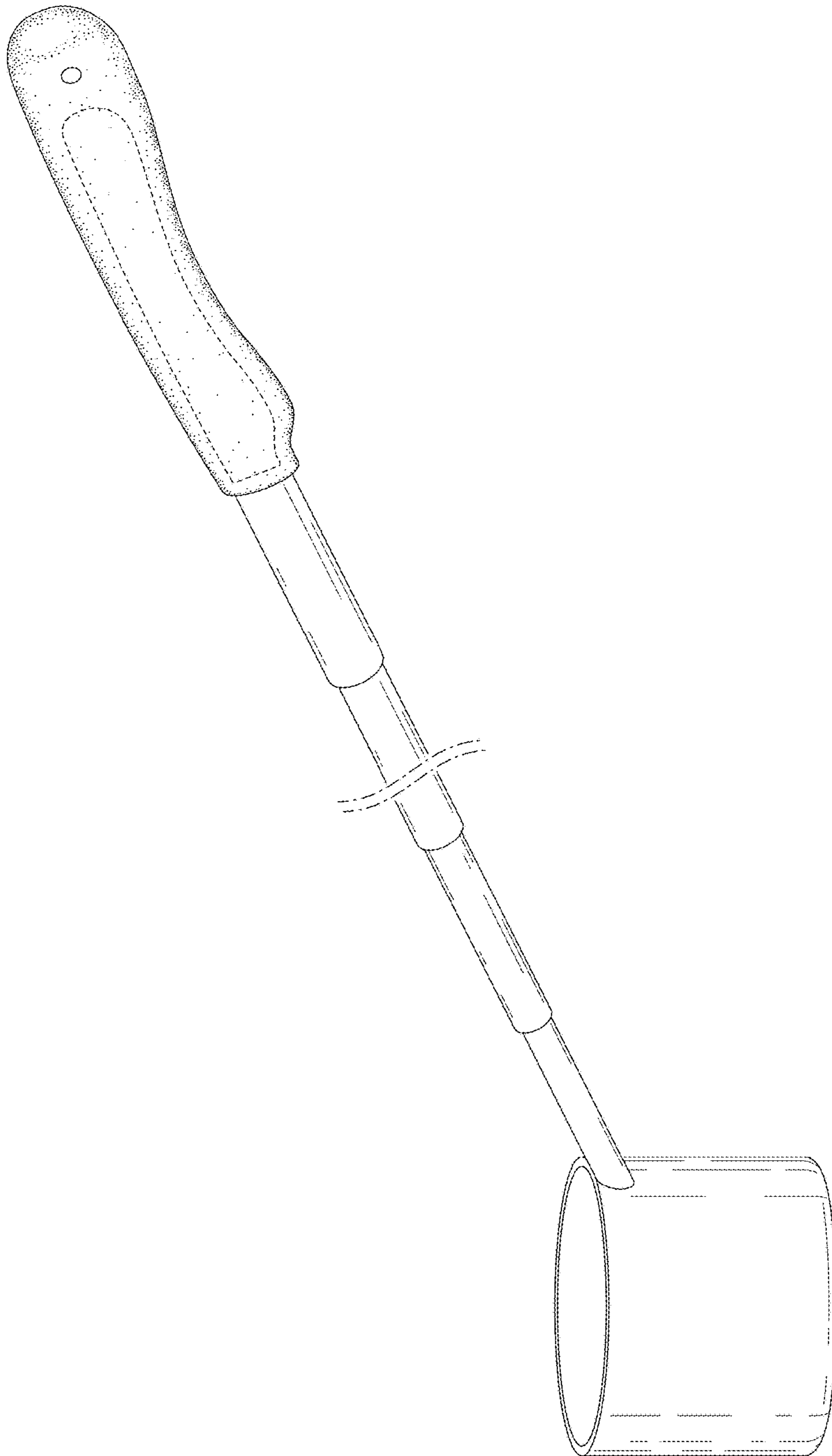


Fig. 9