



US00D835942S

(12) **United States Design Patent**
Koller et al.

(10) **Patent No.:** **US D835,942 S**
(45) **Date of Patent:** **** Dec. 18, 2018**

(54) **TRAY WITH CUP HOLDER AND DEPOSIT AREA FOR STROLLER**

(71) Applicant: **CYBEX GMBH**, Bayreuth (DE)

(72) Inventors: **Peter Koller**, Bayreuth (DE); **Johannes Häuser**, Bayreuth (DE)

(**) Term: **15 Years**

(21) Appl. No.: **35/503,092**

(22) Filed: **Dec. 2, 2016**

(80) **Hague Agreement Data**

Int. Filing Date: **Dec. 2, 2016**

Int. Reg. No.: **DM/094794**

Int. Reg. Date: **Dec. 2, 2016**

Int. Reg. Pub. Date: **Jun. 2, 2017**

(51) **LOC (11) Cl.** **07-01**

(52) **U.S. Cl.**

USPC **D7/552.1**; D12/133

(58) **Field of Classification Search**

USPC D7/396.1, 550.1, 552.1, 553.1, 553.2,
D7/553.3, 553.4–553.5, 553.8,

D7/554.1–554.2, 555; D6/406, 419, 500,

D6/511; D12/129, 133; D34/12–27

CPC B62B 9/26; B60R 7/00; A47C 7/70; A47D
15/00

See application file for complete search history.

(56) **References Cited**

U.S. PATENT DOCUMENTS

D312,171 S *	11/1990	Roth	D12/420
D318,176 S *	7/1991	Forrestal	D12/420
D338,374 S *	8/1993	Jacobson	D7/507
D351,738 S *	10/1994	LaCombe	D12/416
D357,440 S *	4/1995	Pietra	D12/133
D363,643 S *	10/1995	Eisenberg	D7/546
D369,521 S *	5/1996	Wittenborn	D3/215
D376,297 S *	12/1996	Jacobson	D7/549

D393,981 S *	5/1998	Lipkowitz	D7/552.1
D405,621 S *	2/1999	Myers	D6/406.2
D423,290 S *	4/2000	Green	D6/406.1
D435,196 S *	12/2000	Gregor	D12/420
D496,828 S *	10/2004	Lackey	D7/553.5
6,932,426 B2 *	8/2005	Greger	A47D 1/008 297/149
D521,422 S *	5/2006	Williams	D12/133
D527,953 S *	9/2006	Le Gal	D7/552.1
D551,598 S *	9/2007	Yoshie	D12/133
7,621,431 B2 *	11/2009	Williams	B62B 9/26 224/282
8,262,124 B2 *	9/2012	Longenecker	B62B 9/26 280/642
D714,011 S *	9/2014	Fredendall	D34/27
D714,012 S *	9/2014	Fredendall	D34/27
D730,124 S *	5/2015	Tollen	D7/552.1
D733,388 S *	6/2015	Stauff	D34/27
D749,993 S *	2/2016	Lee	D12/133

* cited by examiner

Primary Examiner — Darlington Ly

(57) **CLAIM**

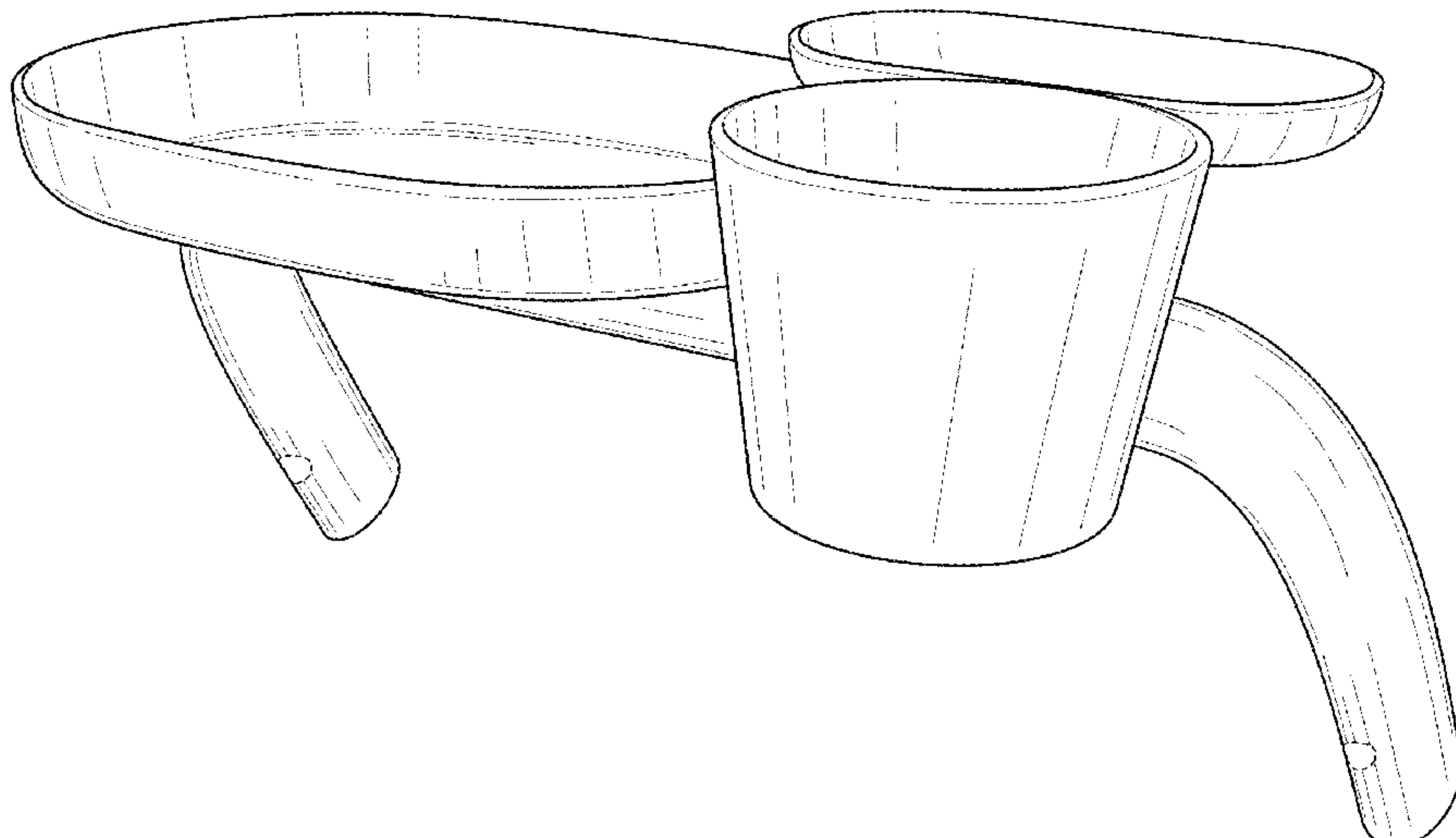
The ornamental design for a tray with cup holder and deposit area for stroller, as shown and described.

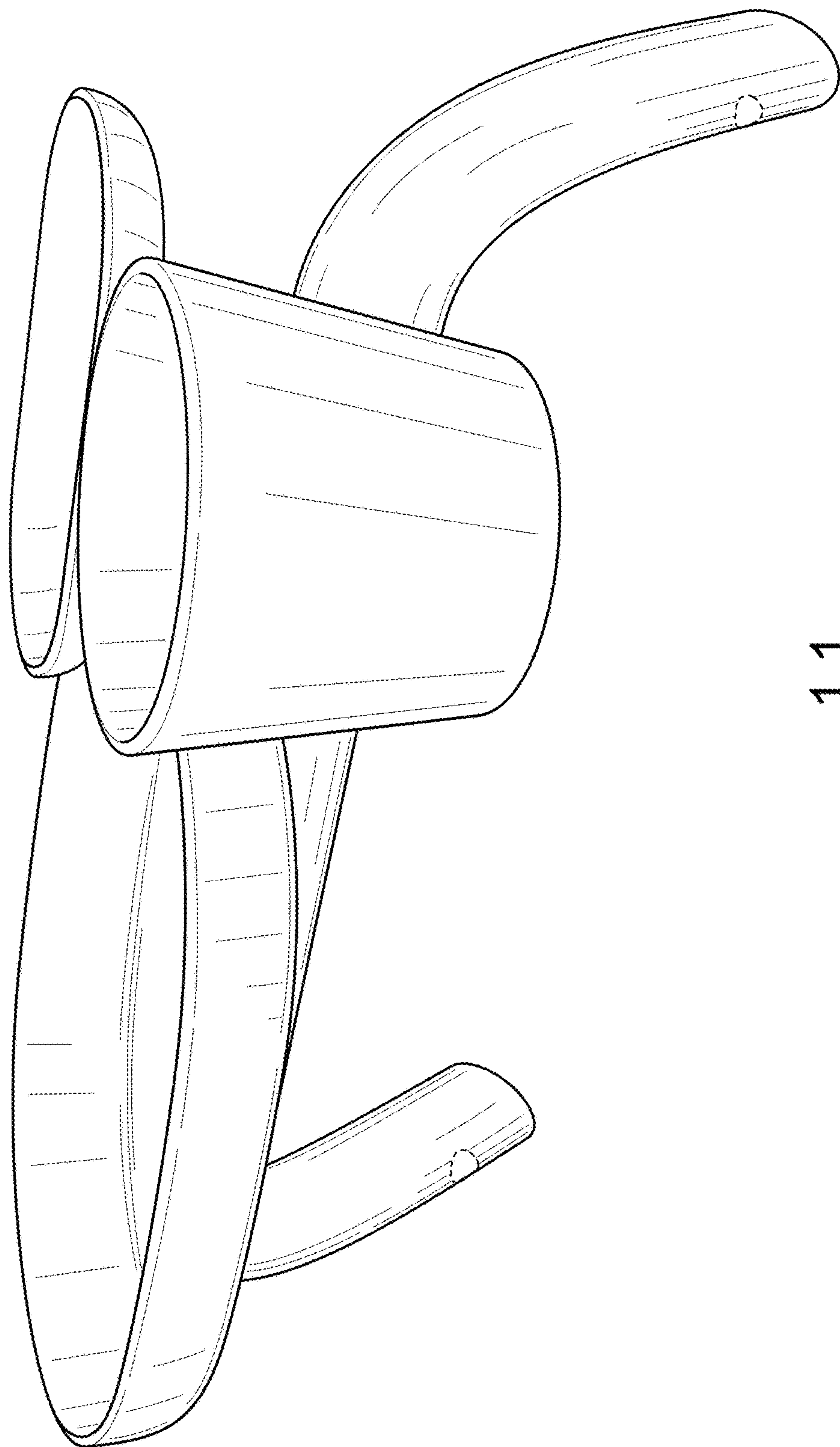
DESCRIPTION

1. Tray with cup holder and deposit area for stroller
- 1.1 is a top, rear, and left side perspective view of a tray with cup holder and deposit area for stroller showing our new design;
- 1.2 is a left side elevation view thereof;
- 1.3 is a right side elevation view thereof;
- 1.4 is a top plan view thereof;
- 1.5 is a bottom plan view thereof;
- 1.6 is a front elevation view thereof; and
- 1.7 is a rear elevation view thereof.

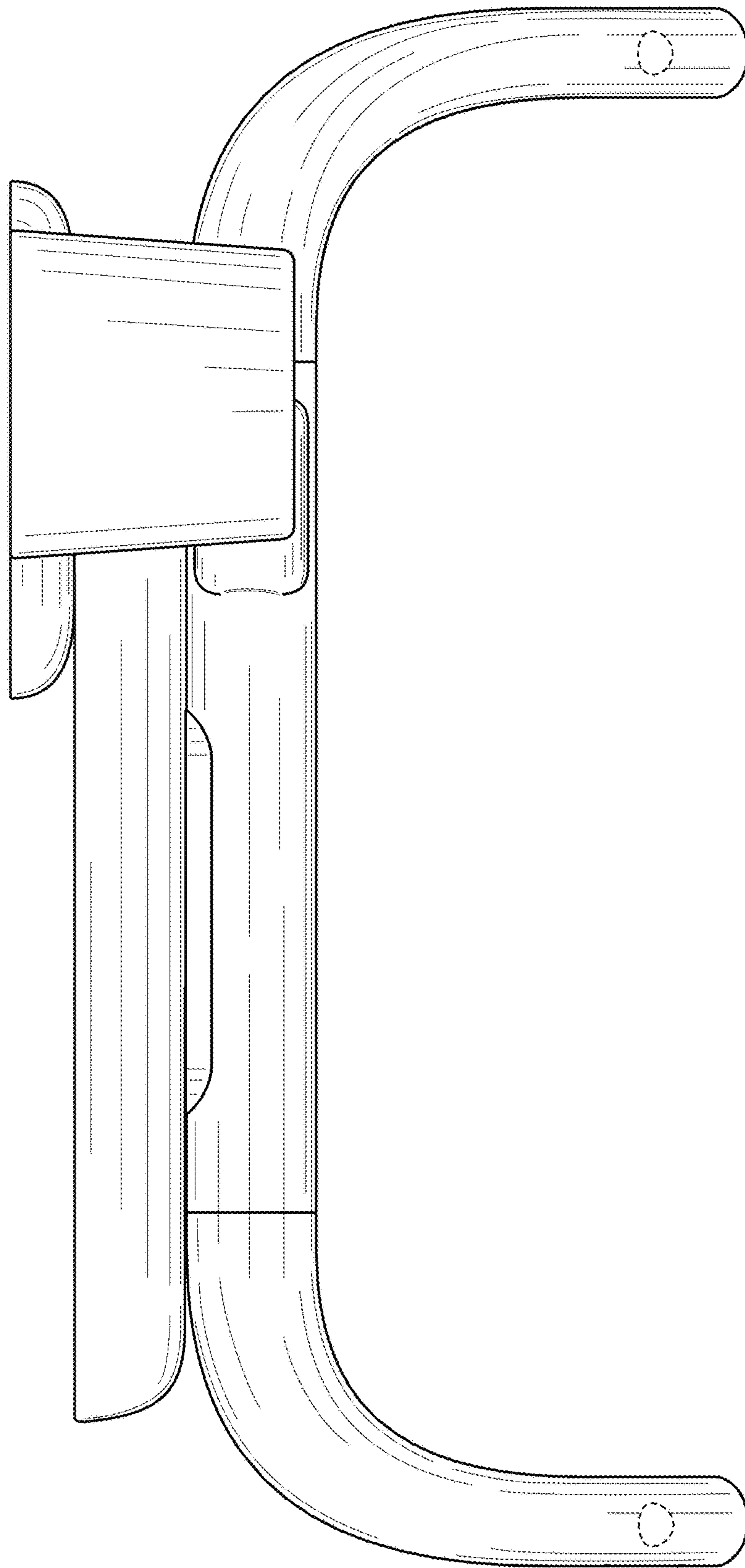
The broken lines and the area within the broken lines in the drawings depict portions of the tray with cup holder and deposit area for stroller that form no part of the claim.

1 Claim, 7 Drawing Sheets

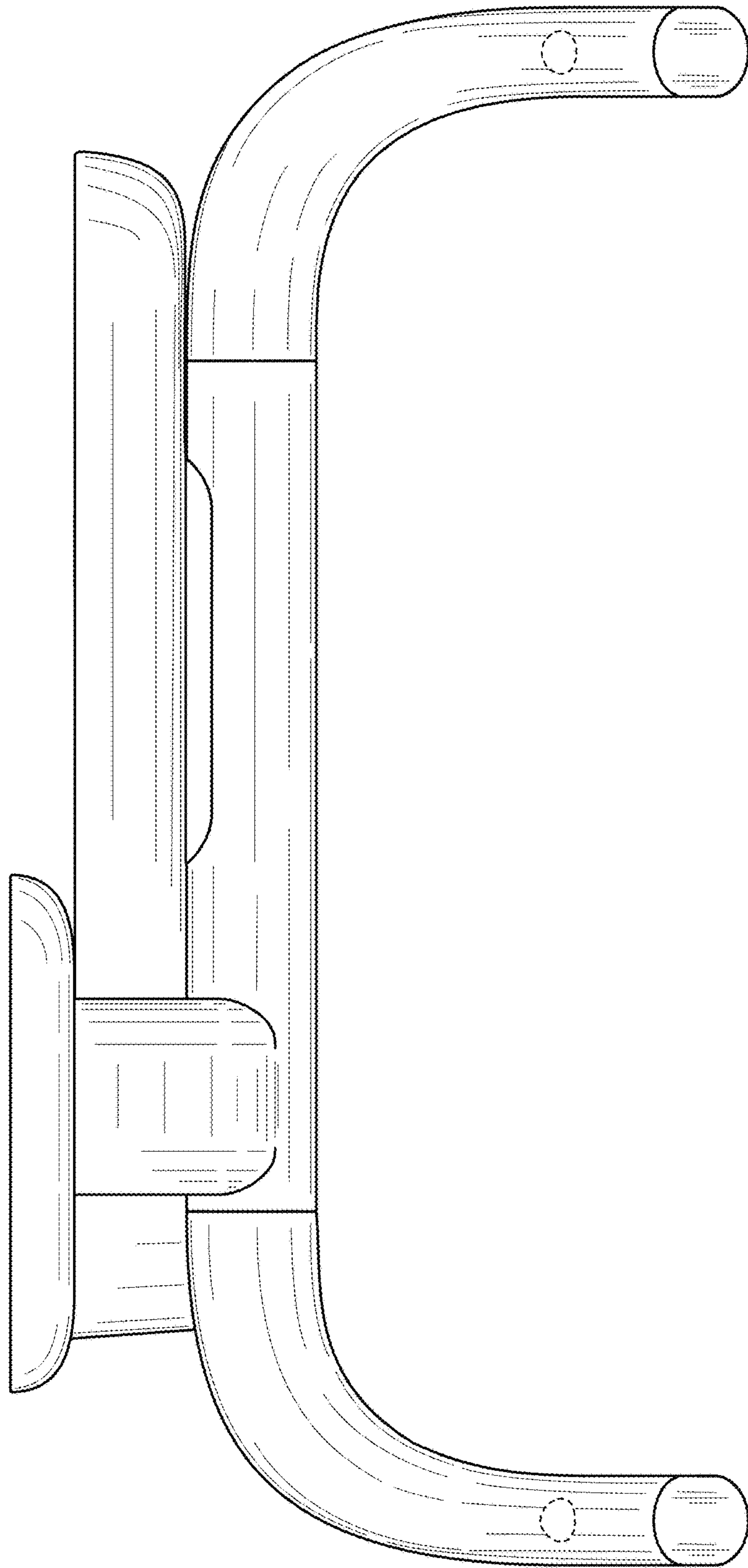




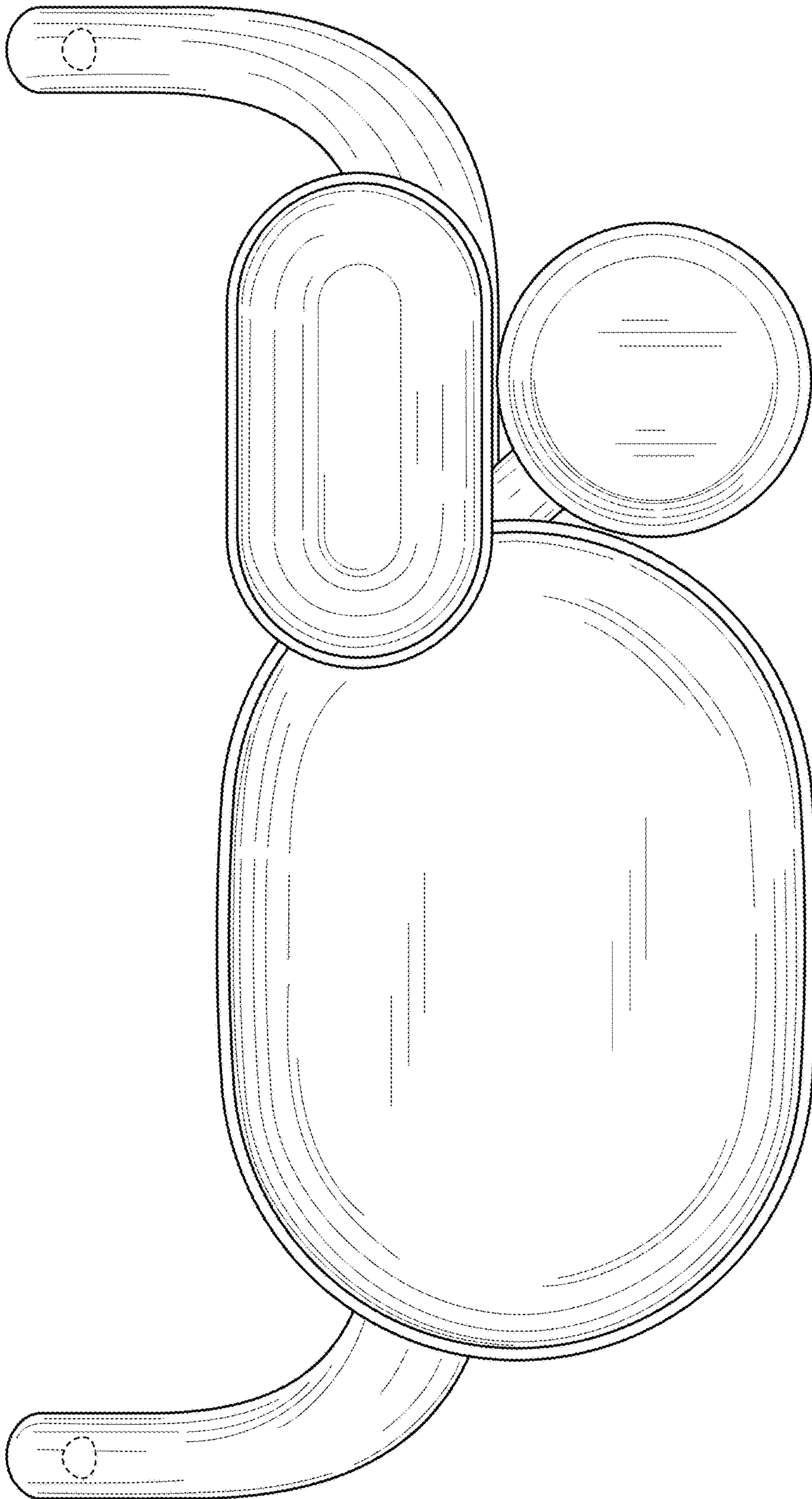
1.1



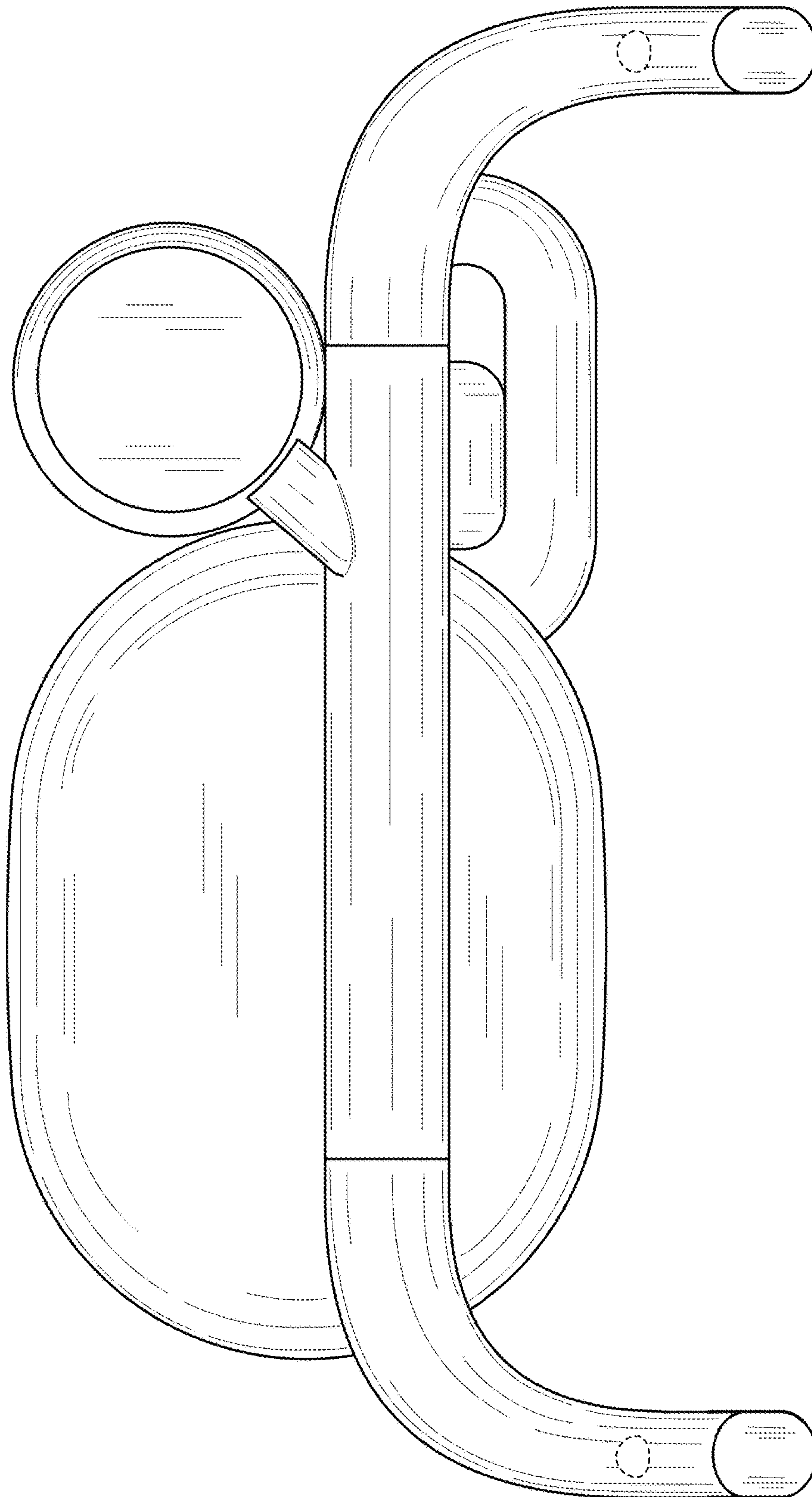
1.2



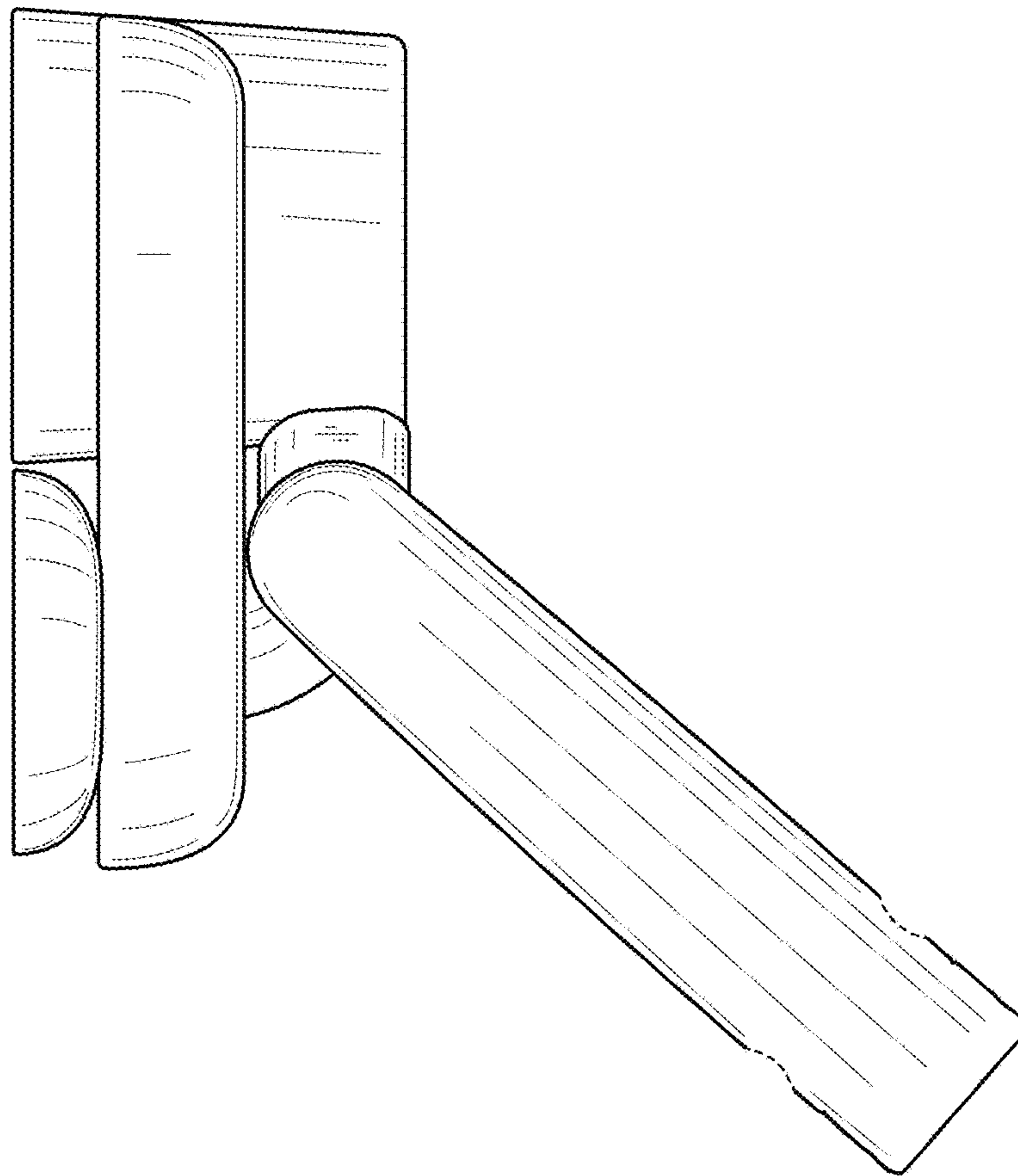
1.3



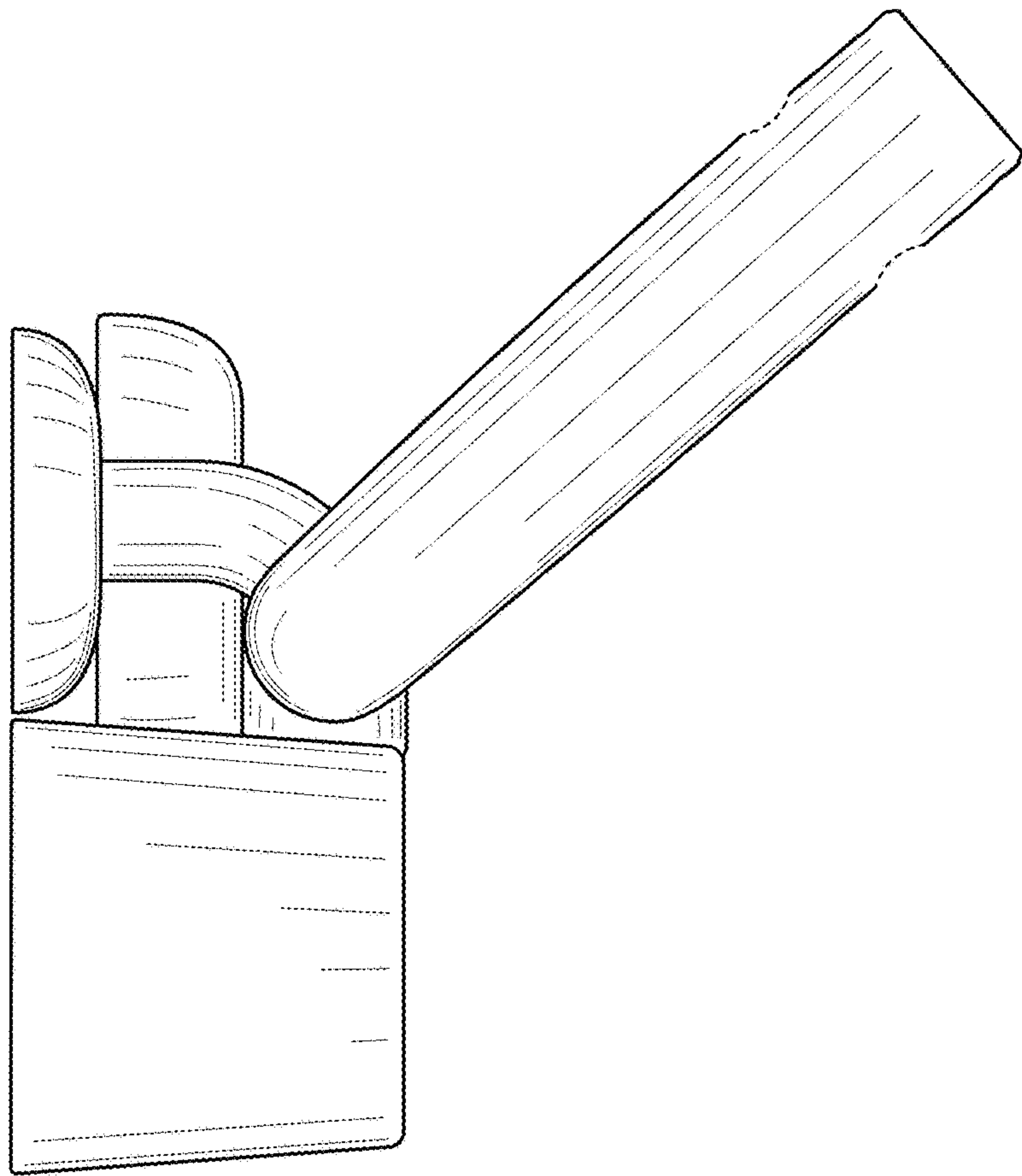
1.4



1.5



1.6



1.7