



US00D835941S

(12) **United States Design Patent** (10) **Patent No.:** **US D835,941 S**
Ou (45) **Date of Patent:** **** Dec. 18, 2018**

(54) **ACCESSORY FOR BLENDER**
(71) Applicant: **KONINKLIJKE PHILIPS N.V.**,
Eindhoven (NL)
(72) Inventor: **Qingxiang Ou**, Hong Kong (CN)
(73) Assignee: **KONINKLIJKE PHILIPS N.V.**,
Eindhoven (NL)
(**) Term: **15 Years**

D563,164 S * 3/2008 Sands D7/413
D631,708 S * 2/2011 Smyers D7/629
D638,653 S * 5/2011 Borin D7/326
D641,198 S * 7/2011 Borin D7/326
D663,588 S * 7/2012 Nordwall D7/376
D672,606 S * 12/2012 Dietz D7/376
D694,589 S * 12/2013 Duvigneau D7/629
D739,679 S * 9/2015 Benoit D7/376
D742,691 S * 11/2015 Zhang D7/376
D743,737 S * 11/2015 Benoit D7/376
D767,938 S * 10/2016 Picozza D7/376
D787,883 S * 5/2017 Tu D7/376
D798,118 S * 9/2017 Karagkouni D7/608

(Continued)

(21) Appl. No.: **35/502,506**

(22) Filed: **Aug. 29, 2016**

(80) **Hague Agreement Data**

Int. Filing Date: **Aug. 29, 2016**
Int. Reg. No.: **DM/092412**
Int. Reg. Date: **Aug. 29, 2016**
Int. Reg. Pub. Date: **Mar. 3, 2017**

(51) **LOC (11) Cl.** **07-99**

(52) **U.S. Cl.**
USPC **D7/413**

(58) **Field of Classification Search**
USPC D7/323, 354-361, 339, 300.1, 326, 372,
D7/376-386, 412-413, 602, 629,
D7/665-666, 669, 679, 693-694
CPC .. A47J 37/046; A47J 37/0716; A47J 37/0722;
A47J 37/085; B01F 7/162; B01F
15/00538
See application file for complete search history.

(56) **References Cited**

U.S. PATENT DOCUMENTS

D248,216 S * 6/1978 Allen D9/416
D250,385 S * 11/1978 Babros D7/360
D318,398 S * 7/1991 Disco D7/378
D345,678 S * 4/1994 Duquaine, Jr. D7/665
D501,756 S * 2/2005 Nikkhah D7/413
D513,916 S * 1/2006 Namee D7/300.1
D530,161 S * 10/2006 Carreno D7/629

OTHER PUBLICATIONS

Philips Daily Collection Mixer Grinder, announced May 19, 2016 [online], [retrieved Feb. 9, 2018]. Available from Internet, URL: <https://www.download.p4c.philips.com/files/h/h17756_00/h17756_00_pss_aenin.pdf>.*

(Continued)

Primary Examiner — Barbara Fox
Assistant Examiner — Dana K Weiland

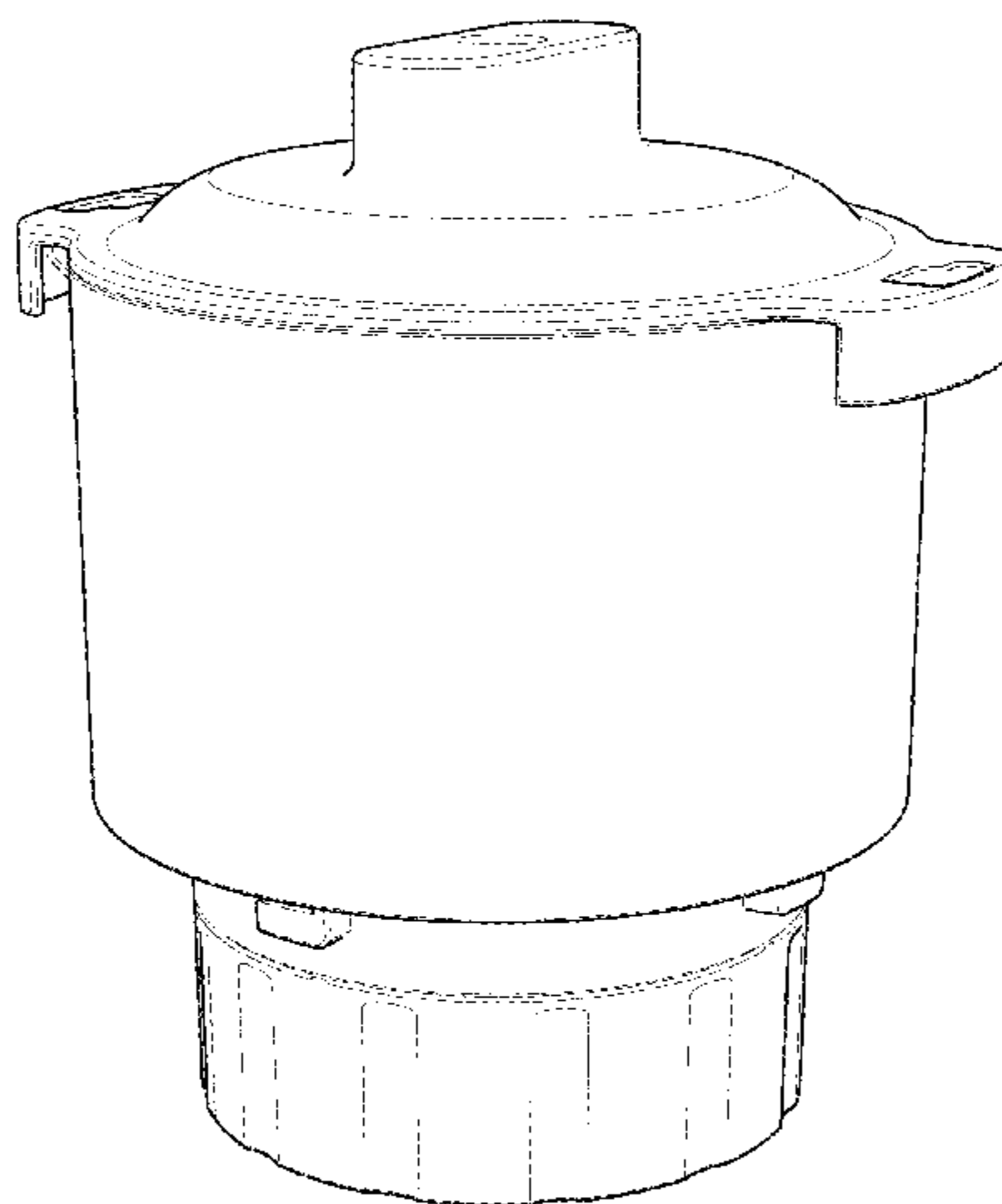
(57) **CLAIM**

The ornamental design for an accessory for blender, as shown and described.

DESCRIPTION

1. Accessory for blender
1.1 is a perspective view of an accessory for blender showing my new design.
1.2 is a front elevational view thereof;
1.3 is a rear elevational view thereof;
1.4 is a right side elevational view thereof;
1.5 is a left side elevational view thereof;
1.6 is a top plan view thereof; and
1.7 is a bottom plan view thereof.
The portions of the accessory for blender shown in broken lines form no part of the claimed design.

1 Claim, 6 Drawing Sheets



(56)

References Cited

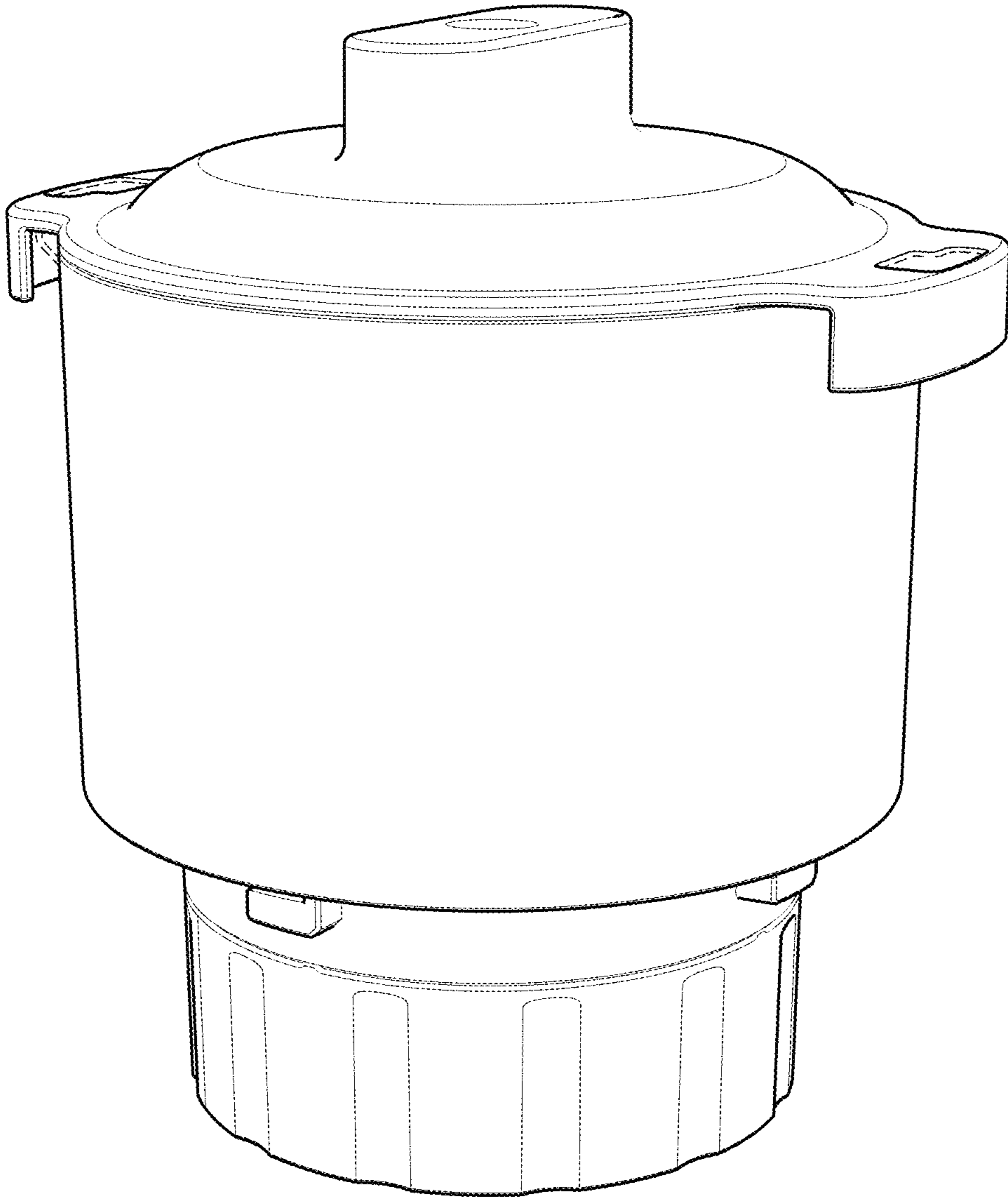
U.S. PATENT DOCUMENTS

D801,108 S * 10/2017 Pan D7/378
D805,359 S * 12/2017 Kim D7/665
D806,482 S * 1/2018 Pallotto D7/602
2017/0224167 A1* 8/2017 Zakowski A47J 43/0716

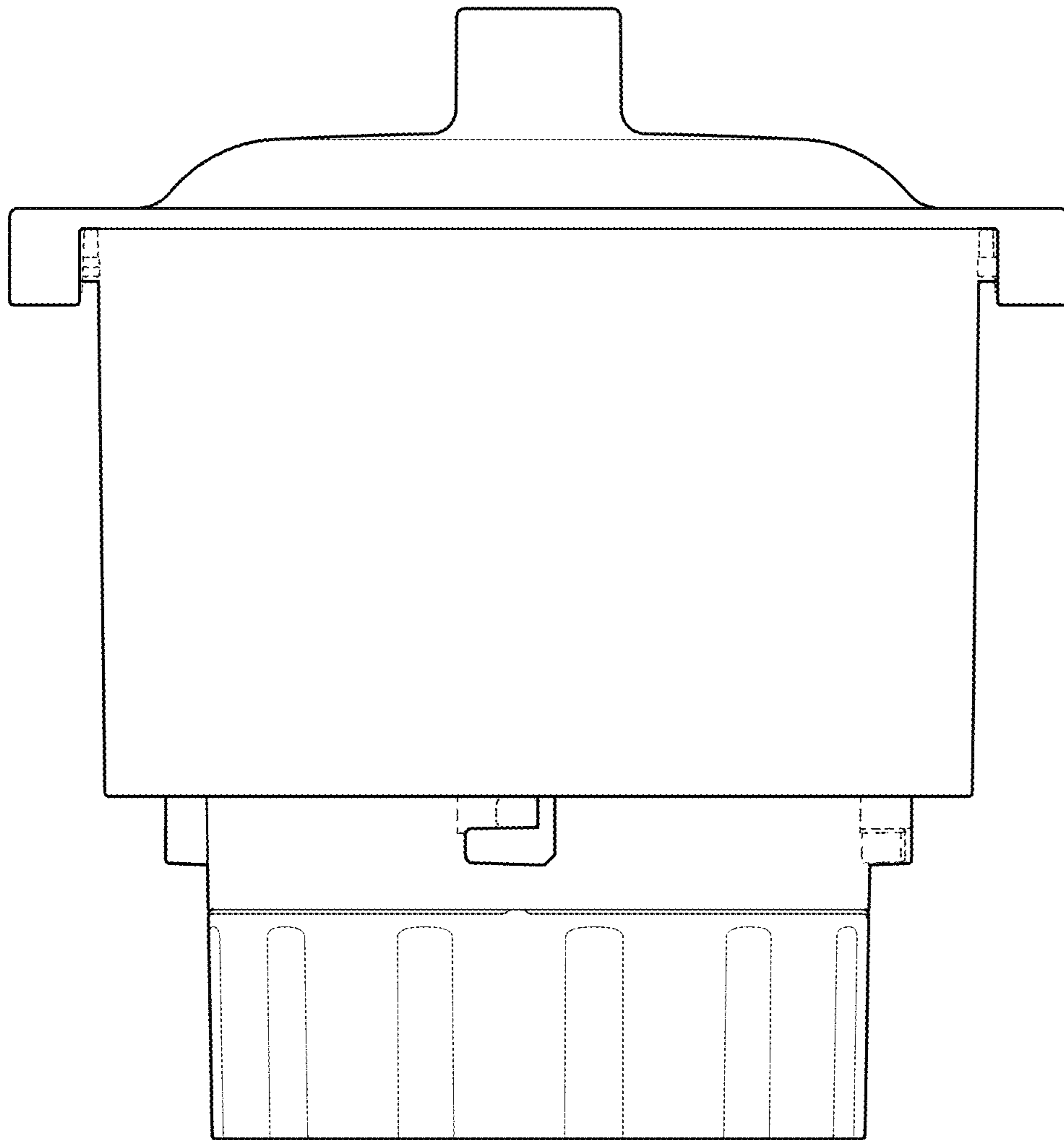
OTHER PUBLICATIONS

ME Smart Mixer Grinder Isi Mark, announced 2016 [online],
[retrieved Feb. 9, 2018]. Available from Internet, URL: <<https://www.indiamart.com/proddetail/me-smart-mixer-grinder-isi-mark-5741770912.html>>.*

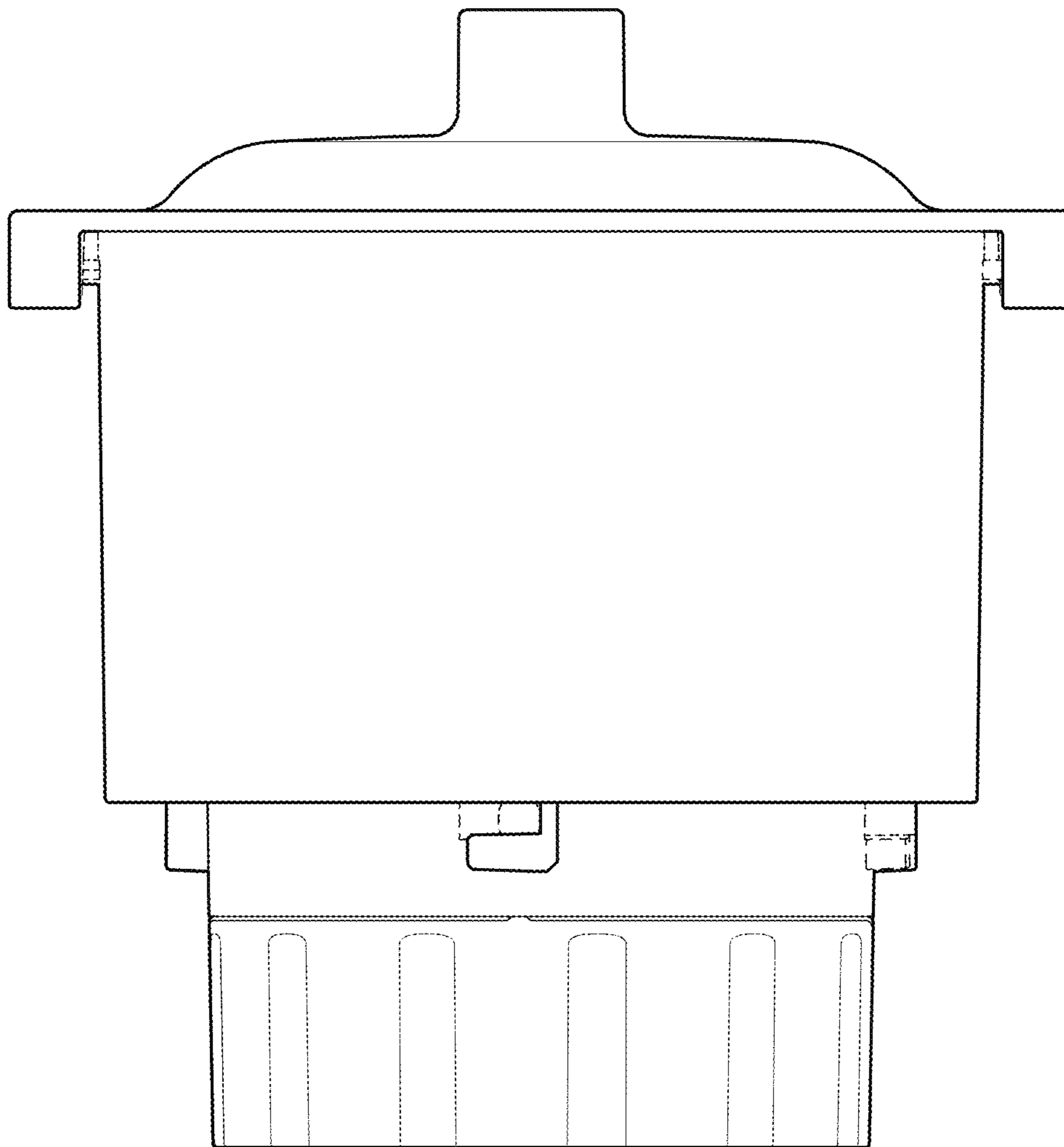
* cited by examiner



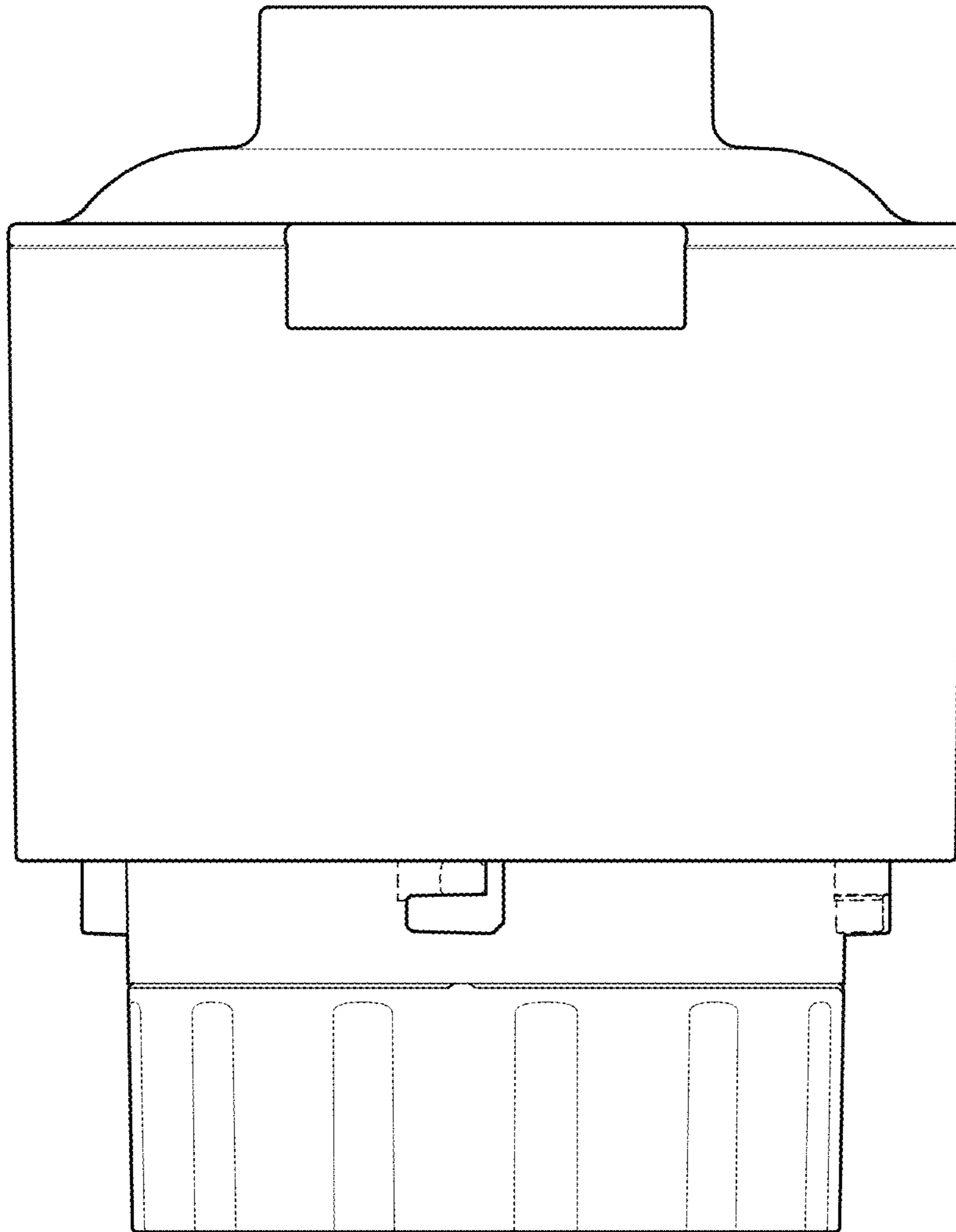
1.1



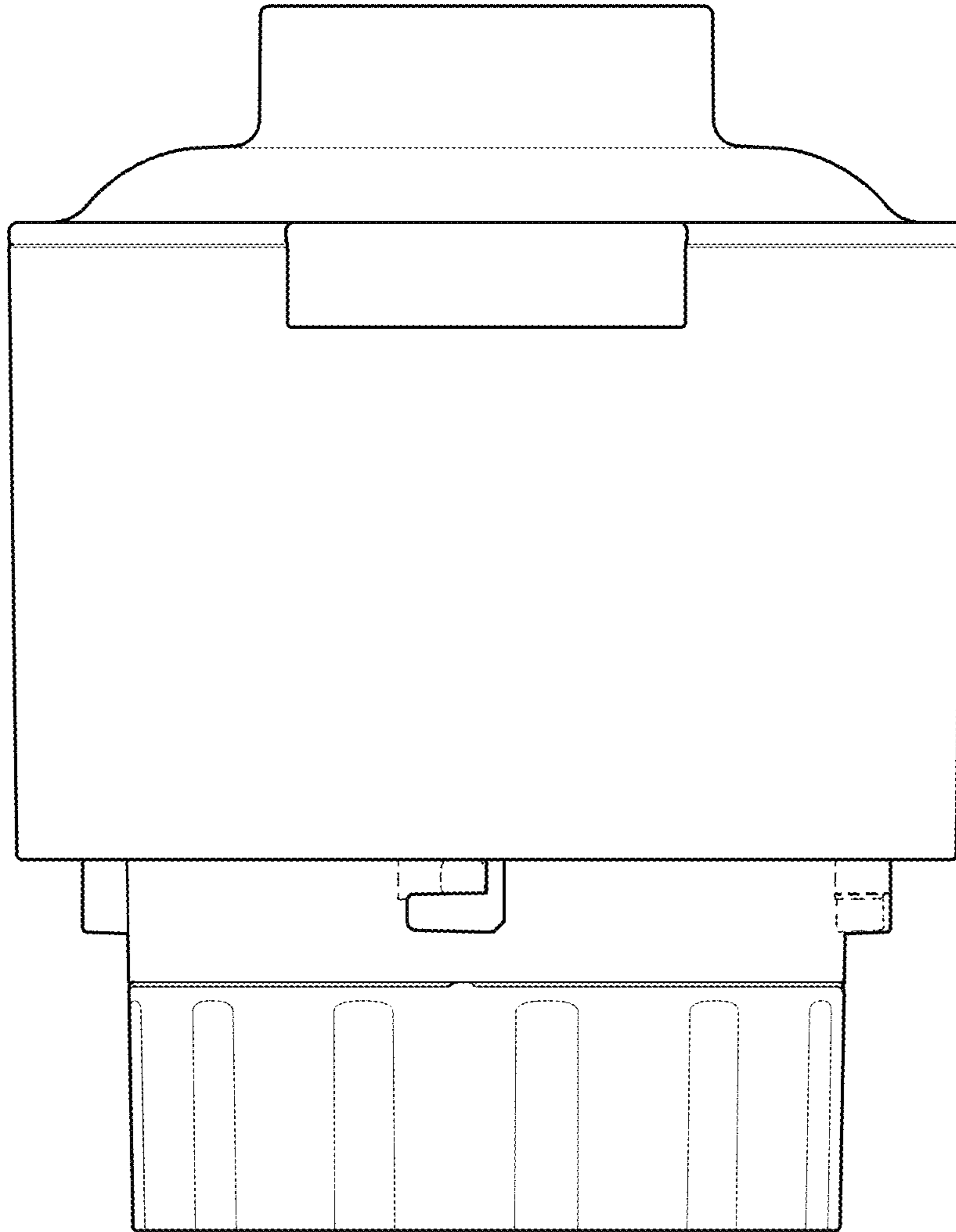
1.2



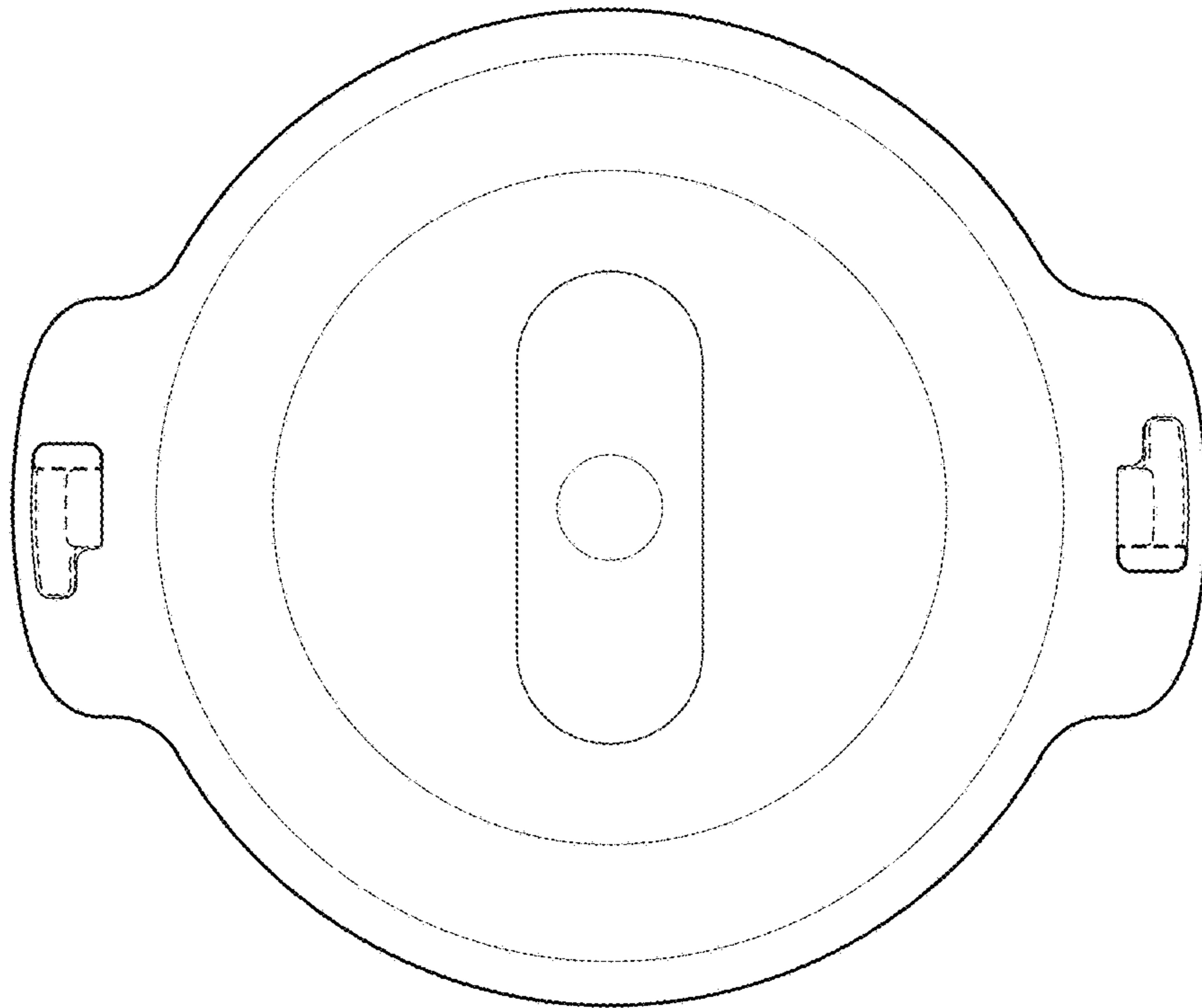
1.3



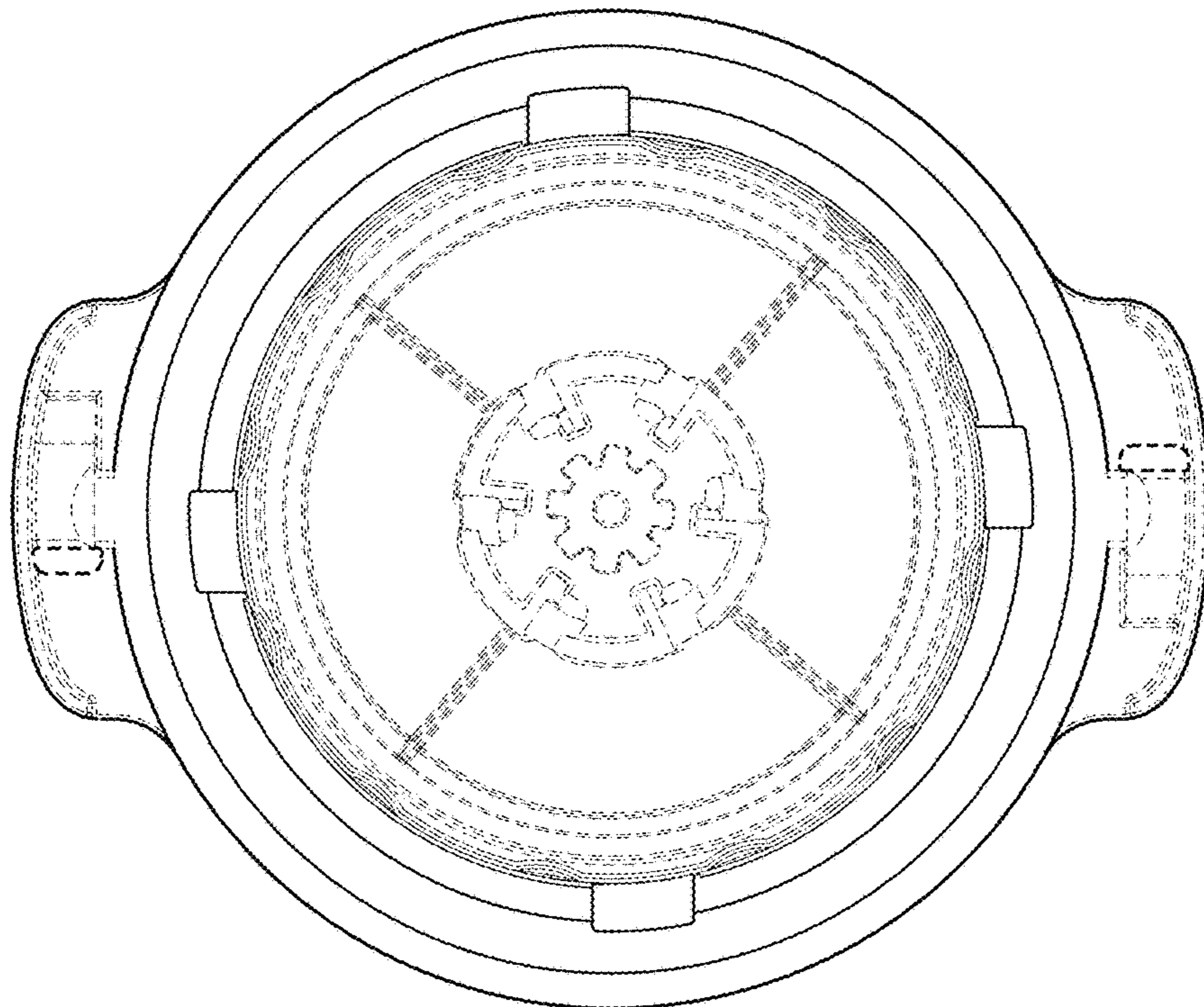
1.4



1.5



1.6



1.7