



US00D835939S

(12) **United States Design Patent**  
**Yee et al.**

(10) **Patent No.:** **US D835,939 S**  
(45) **Date of Patent:** **\*\* Dec. 18, 2018**

- (54) **CAP FOR BOTTLE**
- (71) Applicant: **Dart Industries Inc.**, Orlando, FL (US)
- (72) Inventors: **Teo Sok Yee**, Singapore (SG); **Julie L. Yessin**, San Francisco, CA (US)
- (73) Assignee: **Dart Industries Inc.**, Orlando, FL (US)
- (\*\*) Term: **15 Years**
- (21) Appl. No.: **29/622,201**
- (22) Filed: **Oct. 16, 2017**

**Related U.S. Application Data**

- (62) Division of application No. 29/573,975, filed on Aug. 11, 2016, now Pat. No. Des. 815,906.
- (51) **LOC (11) Cl.** ..... **07-99**
- (52) **U.S. Cl.**  
USPC ..... **D7/392.1; D7/396.2; D9/443; D9/449**
- (58) **Field of Classification Search**  
USPC ..... D3/202; D7/300, 300.1, 313, 314, 316, D7/387, 392, 392.1, 393, 396.1, 392.2, D7/396.2, 397, 398, 401.1, 436, 509, 510, D7/511, 523, 525, 526, 527, 528, 538, D7/589, 590, 591, 602, 619.1, 900; D9/434, 435, 436, 437, 438, 440, 443, D9/445, 446, 447, 448, 449, 452, 453, D9/454, 686, 688, 690, 723, 724, 763, D9/772  
CPC ..... A47G 19/2205; A47G 19/2222; A47G 19/2266; A47G 19/2272; A47G 19/2294; A47G 23/06; B65D 39/00; B65D 39/0005; B65D 39/02; B65D 39/08; B65D 39/14; B65D 39/19; B65D 50/00; B65D 50/041; B65D 53/00; B65D 53/02; B65D 53/04; B65D 55/02; B65D 55/024; B65D 43/02; B65D 43/14; B65D 43/26; B65D 43/0202; B65D 51/18; B65D 51/28; B65D 51/242; B65D 51/2821; B65D 51/2814; B65D 2251/0018; B65D 2251/0081; B65D 2251/0026; B65D 2251/009; B65D 2543/00046; B65D

47/08; B65D 47/12; B65D 47/265; B65D 1/02; B65D 23/06; B65D 23/104; B65D 25/56; B65D 2203/04; B65D 41/00; B65D 41/02; B65D 41/005; B65D 41/023; B65D 41/026; B65D 41/0407; B65D 41/0414; B65D 41/0421; B65D 41/0428; B65D 41/0471; B65D 41/0485; B65D 41/0492; B65D 41/16;  
(Continued)

(56) **References Cited**

U.S. PATENT DOCUMENTS

- D451,023 S \* 11/2001 Kitamura ..... D9/449
  - D661,583 S \* 6/2012 Santarelli ..... D9/449
- (Continued)

OTHER PUBLICATIONS

Tupperware "Cap," Feb. 10, 2013.

*Primary Examiner* — Jennifer Rivard

*Assistant Examiner* — Catherine S Posthauer

(74) *Attorney, Agent, or Firm* — Taylor J. Ross

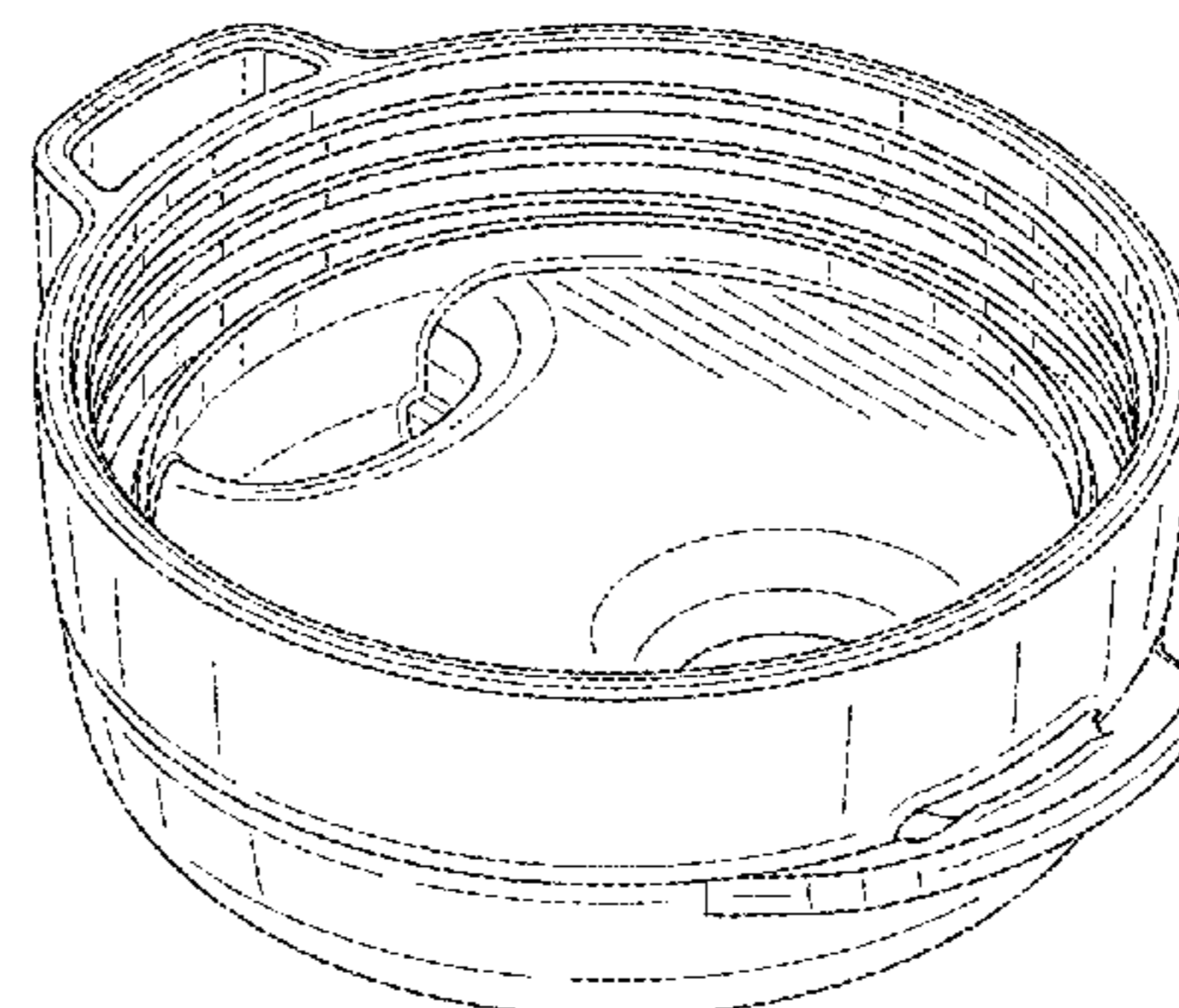
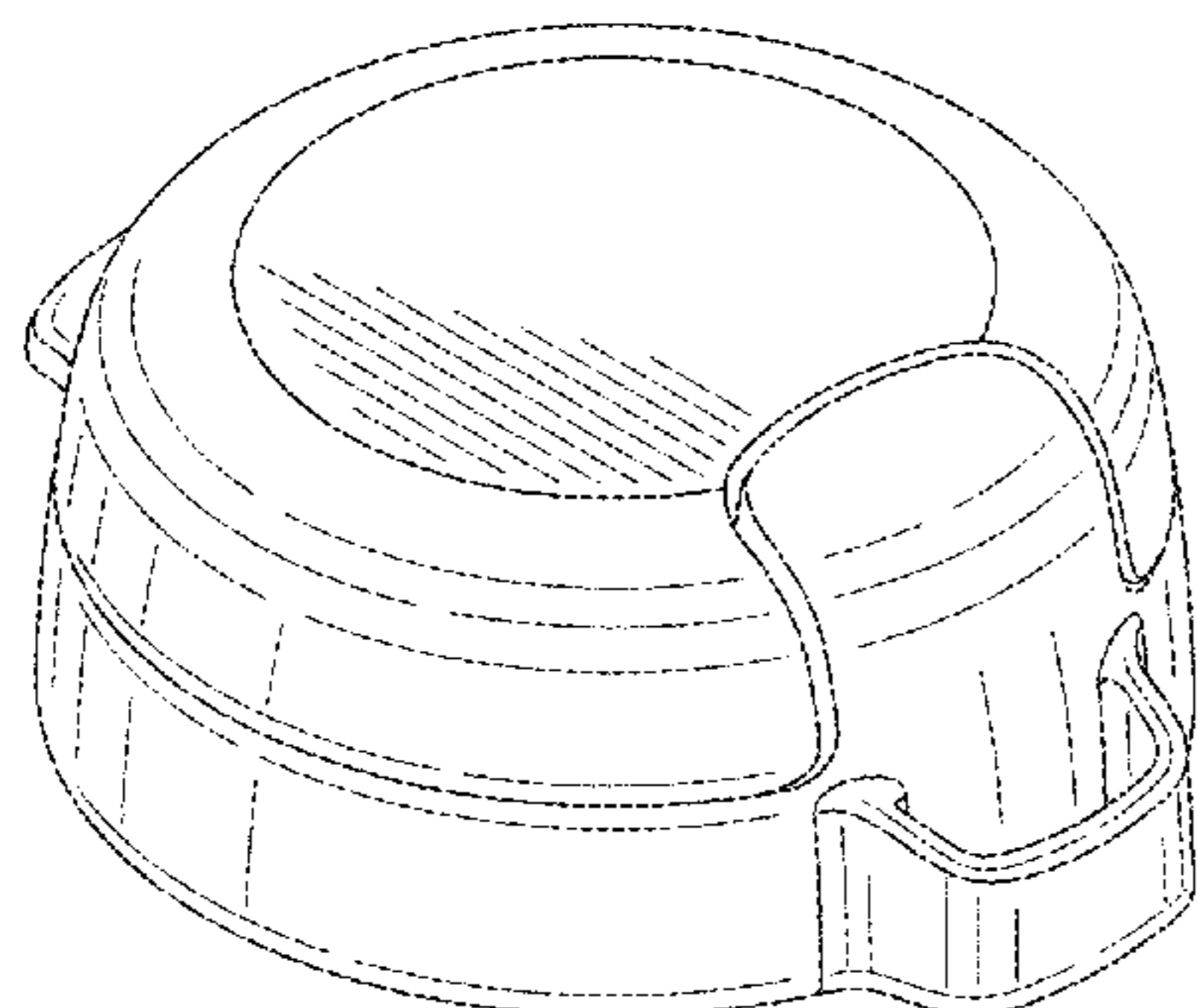
(57) **CLAIM**

The ornamental design for a cap for bottle, as shown and described.

**DESCRIPTION**

FIG. 1 is a top, rear and left side perspective view of a cap for bottle showing our new design;  
FIG. 2 is a bottom, front and left side perspective view thereof;  
FIG. 3 is a top plan view thereof;  
FIG. 4 is a bottom plan view thereof;  
FIG. 5 is a left side elevation view, the right side elevation being a mirror image thereof;  
FIG. 6 is a rear elevation view thereof; and,  
FIG. 7 is a front elevation view thereof.

**1 Claim, 2 Drawing Sheets**



(58) **Field of Classification Search**

CPC ..... B65D 41/17; B65D 41/26; B65D 41/32;  
 B65D 41/34; B65D 41/56; A47J 36/10;  
 A47J 36/14; A47J 36/06; A47J 43/27;  
 A61J 1/1412; A61J 2205/50

See application file for complete search history.

(56) **References Cited**

U.S. PATENT DOCUMENTS

D667,269	S	9/2012	Pallotto	
D675,060	S *	1/2013	Lane .....	D7/392.1
D702,551	S *	4/2014	Wisniewski .....	D9/449
D718,626	S *	12/2014	Lane .....	B65D 41/62
				D9/449
D727,093	S *	4/2015	Lapsker .....	D7/396.2
D730,729	S *	6/2015	George .....	D9/435
D763,622	S	8/2016	Shirley et al.	
D769,715	S *	10/2016	Bois .....	D9/449
D770,222	S *	11/2016	Boroski .....	D7/392.1
D785,402	S *	5/2017	Shirley .....	D7/392.1
D794,453	S *	8/2017	Boroski .....	D7/392.1
D795,006	S *	8/2017	Heiberger .....	D7/392.1
D814,235	S *	4/2018	Shirley .....	D7/392.1
D817,088	S *	5/2018	Shirley .....	D7/396.2
D818,767	S *	5/2018	Nezu .....	D7/392.1
2007/0196542	A1 *	8/2007	Rathbone	
2012/0181302	A1 *	7/2012	Pagan .....	B65D 1/0223
				222/39
2016/0376061	A1 *	12/2016	Shirley .....	B65D 1/02
				215/228
2017/0144808	A1 *	5/2017	Choltco-Devlin .....	B65D 43/26
2017/0253395	A1 *	9/2017	Matthis .....	A47G 19/2272

\* cited by examiner

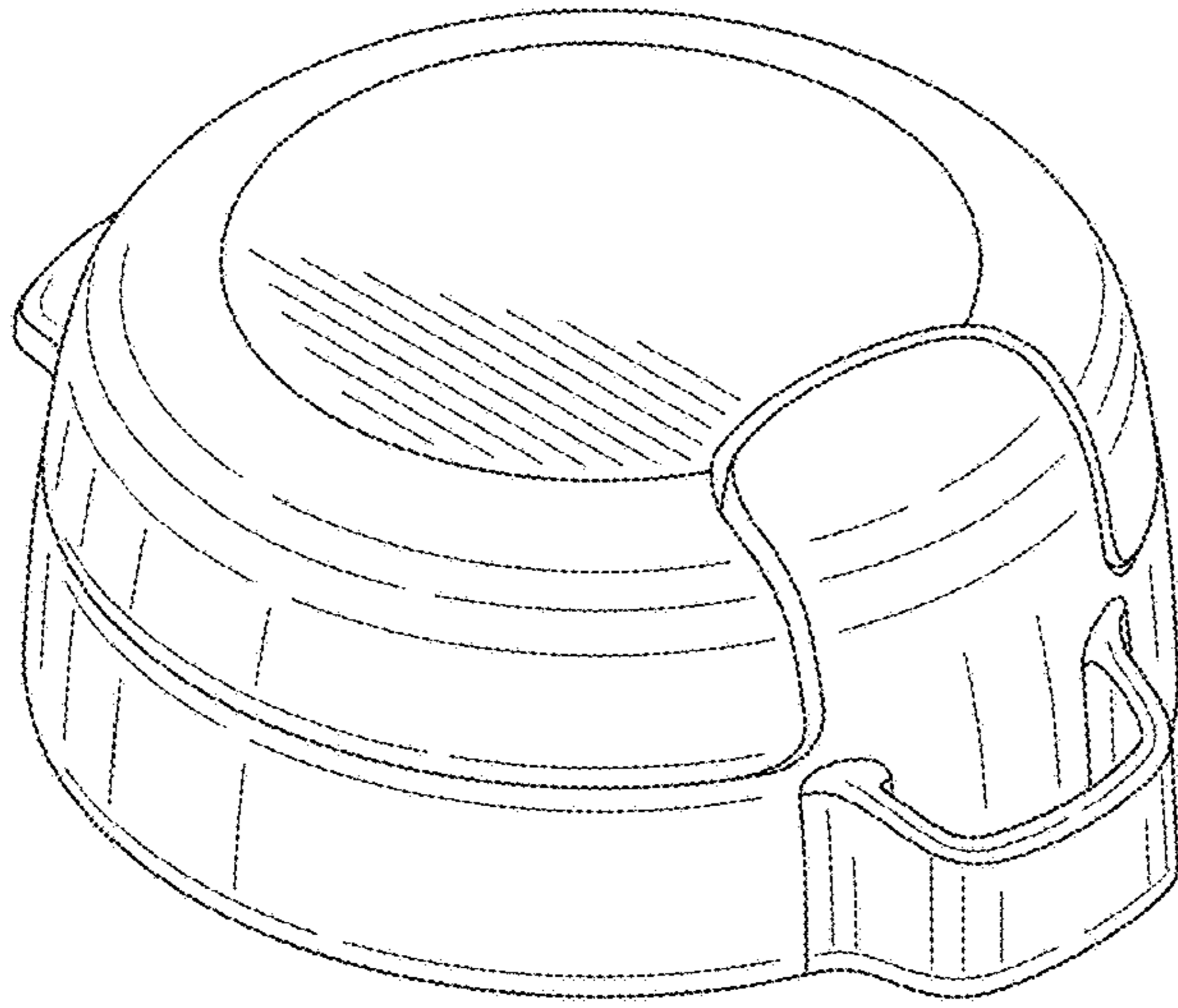


FIG. 1

FIG. 2

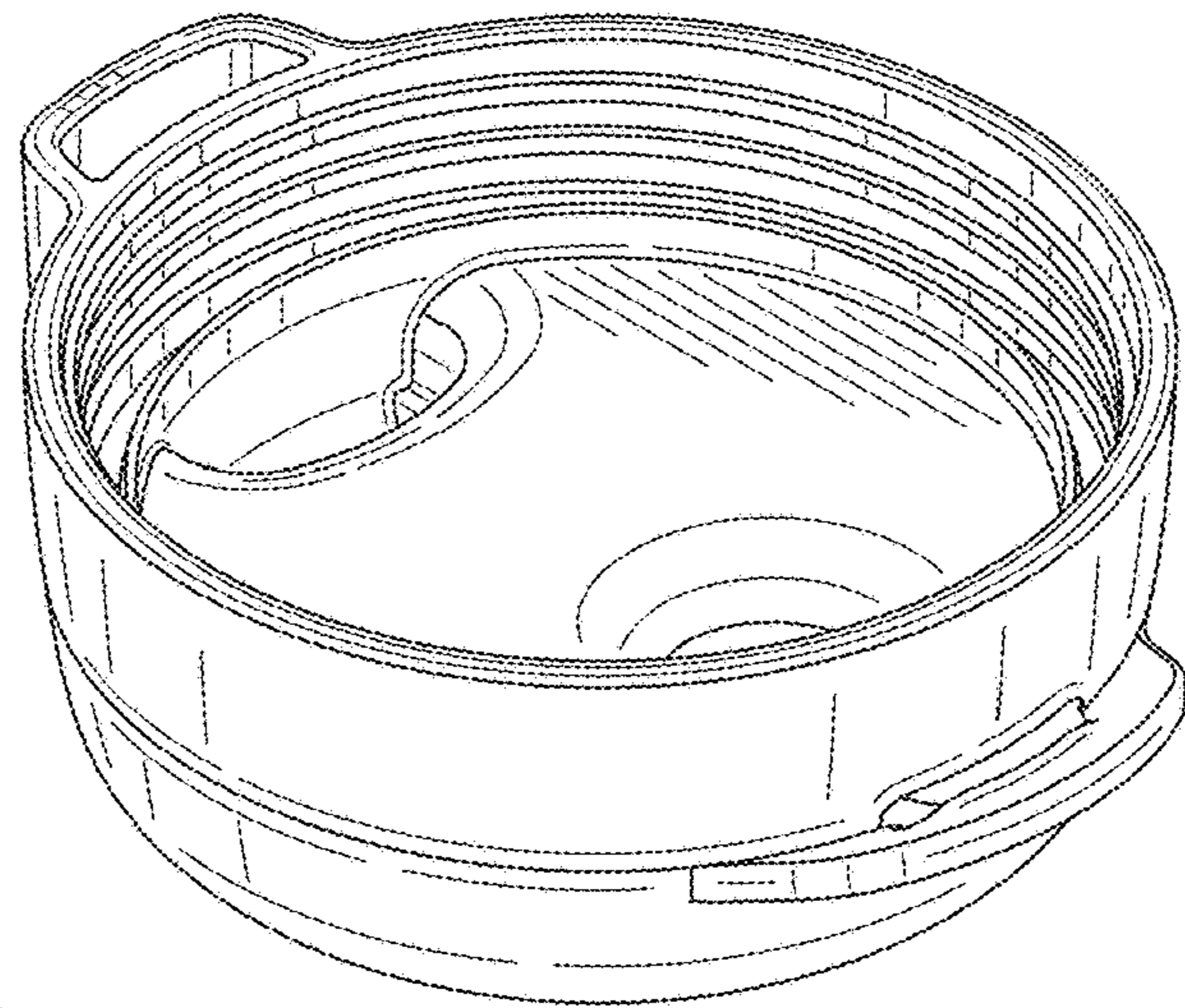
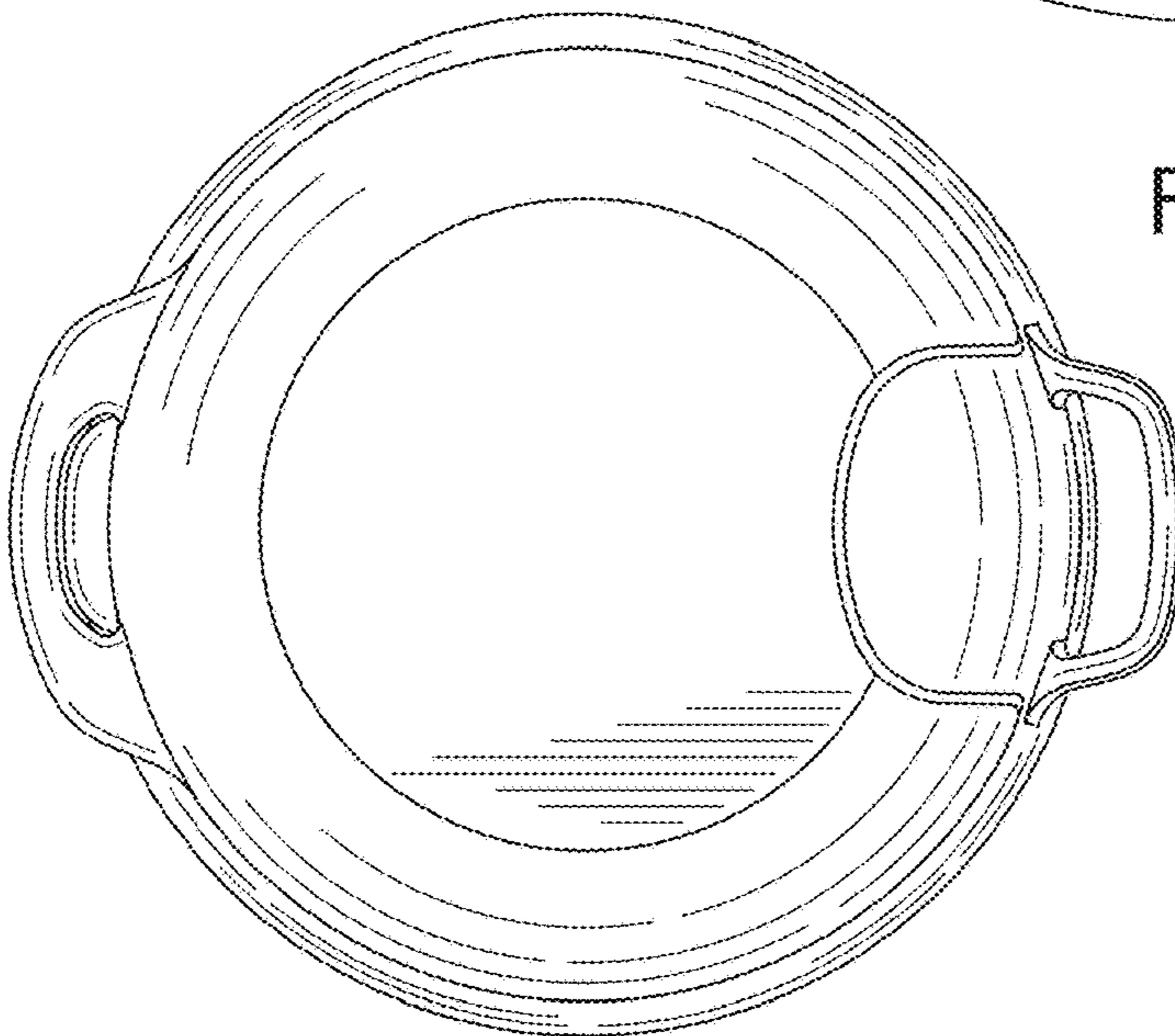


FIG. 3



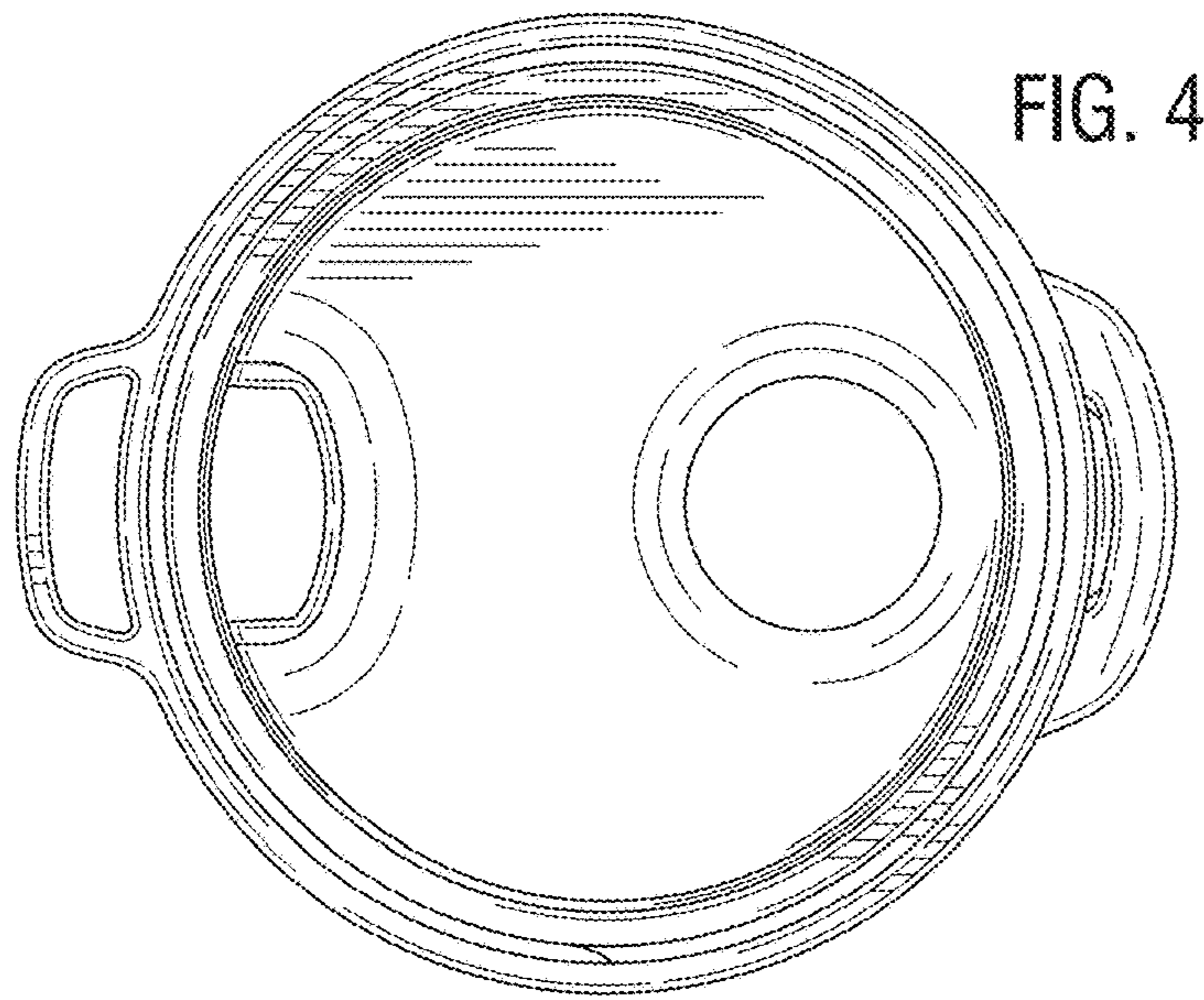


FIG. 5

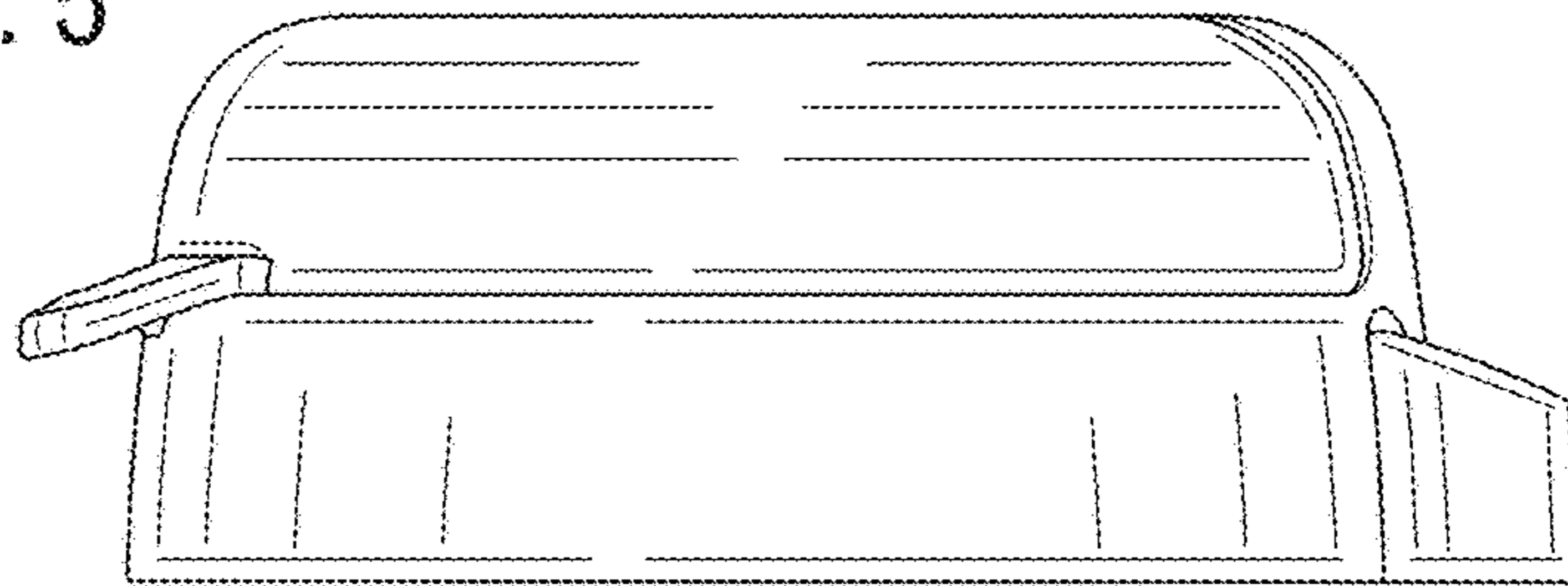


FIG. 6

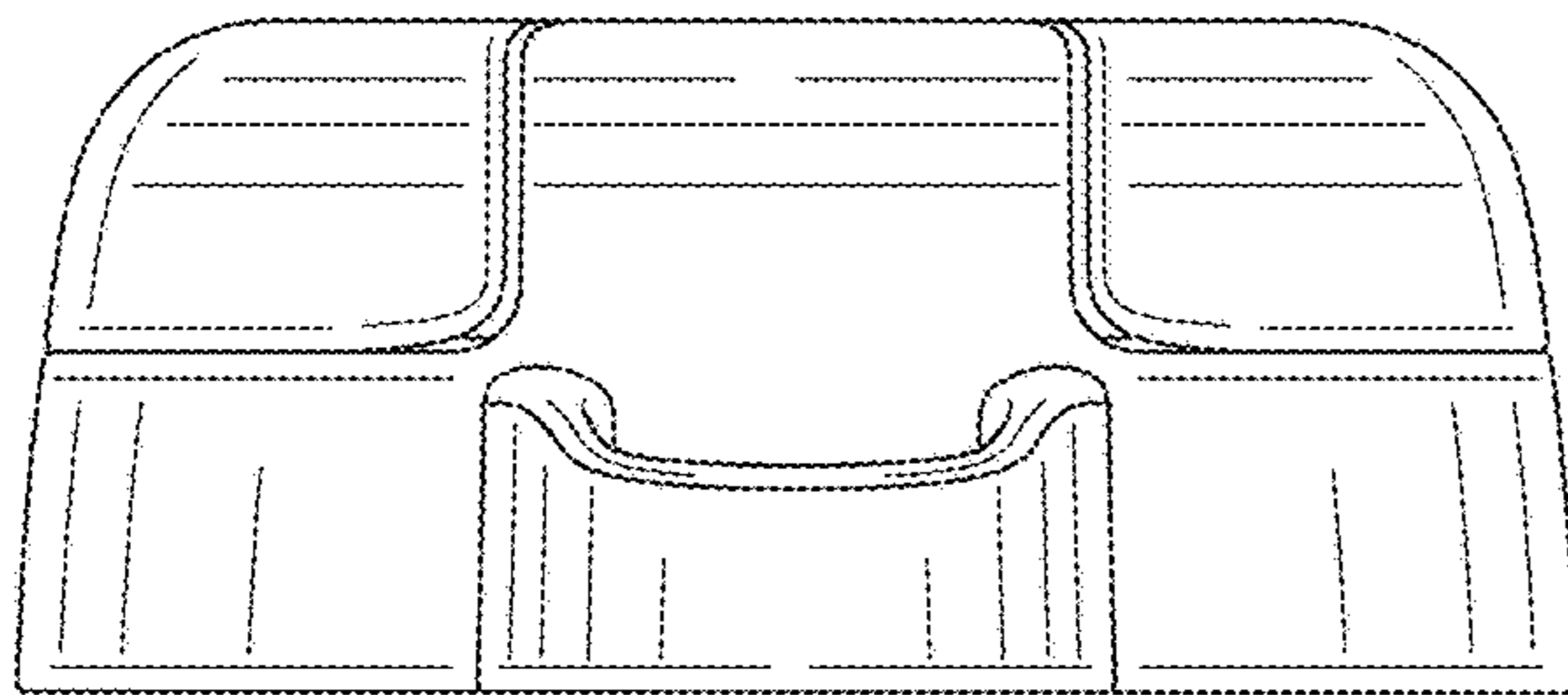


FIG. 7

