



US00D835938S

(12) **United States Design Patent**
Zou et al.

(10) **Patent No.: US D835,938 S**
(45) **Date of Patent: ** Dec. 18, 2018**

(54) **LID FOR A WATER BOTTLE**

(71) Applicant: **RFCM INC.**, Aliso Viejo, CA (US)
(72) Inventors: **James Zou**, Aliso Viejo, CA (US);
Richard Chritz, Long Beach, CA (US)
(73) Assignee: **RFCM INC.**, Aliso Viejo, CA (US)
(**) Term: **15 Years**

(21) Appl. No.: **29/585,849**

(22) Filed: **Nov. 29, 2016**

(51) **LOC (11) Cl.** **07-99**

(52) **U.S. Cl.**
USPC **D7/392.1; D7/396.2; D9/436**

(58) **Field of Classification Search**
USPC D7/507, 509, 510, 511, 523, 527, 529,
D7/531, 532, 533, 534, 535, 536, 608,
D7/300, 300.1, 300.2, 552.1, 319, 393,
D7/394, 387, 391, 392.1, 396.2; D34/39;
D9/503, 907, 531, 435, 436, 454, 449,
D9/443; 220/592.16, 592.17, 495.03,
220/705-710

CPC A47G 19/22; A47G 19/2205; A47G
19/2222; A45F 3/16; A45F 3/20; B67D
7/06; B67D 1/0004; B65D 25/14
See application file for complete search history.

(56) **References Cited**

U.S. PATENT DOCUMENTS

D463,281 S *	9/2002	Druitt	D9/452
D543,454 S *	5/2007	Leoncavallo	D9/449
D544,795 S *	6/2007	Reed	D9/454
D663,209 S *	7/2012	Maas	D7/510
D685,606 S *	7/2013	Keys	D7/392.1
D752,391 S *	3/2016	Hatherell	D7/510
D763,622 S *	8/2016	Shirley	D7/511
D765,511 S *	9/2016	George	D7/511
D787,939 S *	5/2017	Lam	D9/503
D791,593 S *	7/2017	Kim	D9/454

(Continued)

OTHER PUBLICATIONS

Coca-Cola® Taste the Feeling!, website, taken from the Internet at least as early as Feb. 2017 <URL: https://us.coca-cola.com/>.

Primary Examiner — Marianne N Pandozzi

Assistant Examiner — Jae Liang

(74) *Attorney, Agent, or Firm* — Klein, O'Neill & Singh, LLP

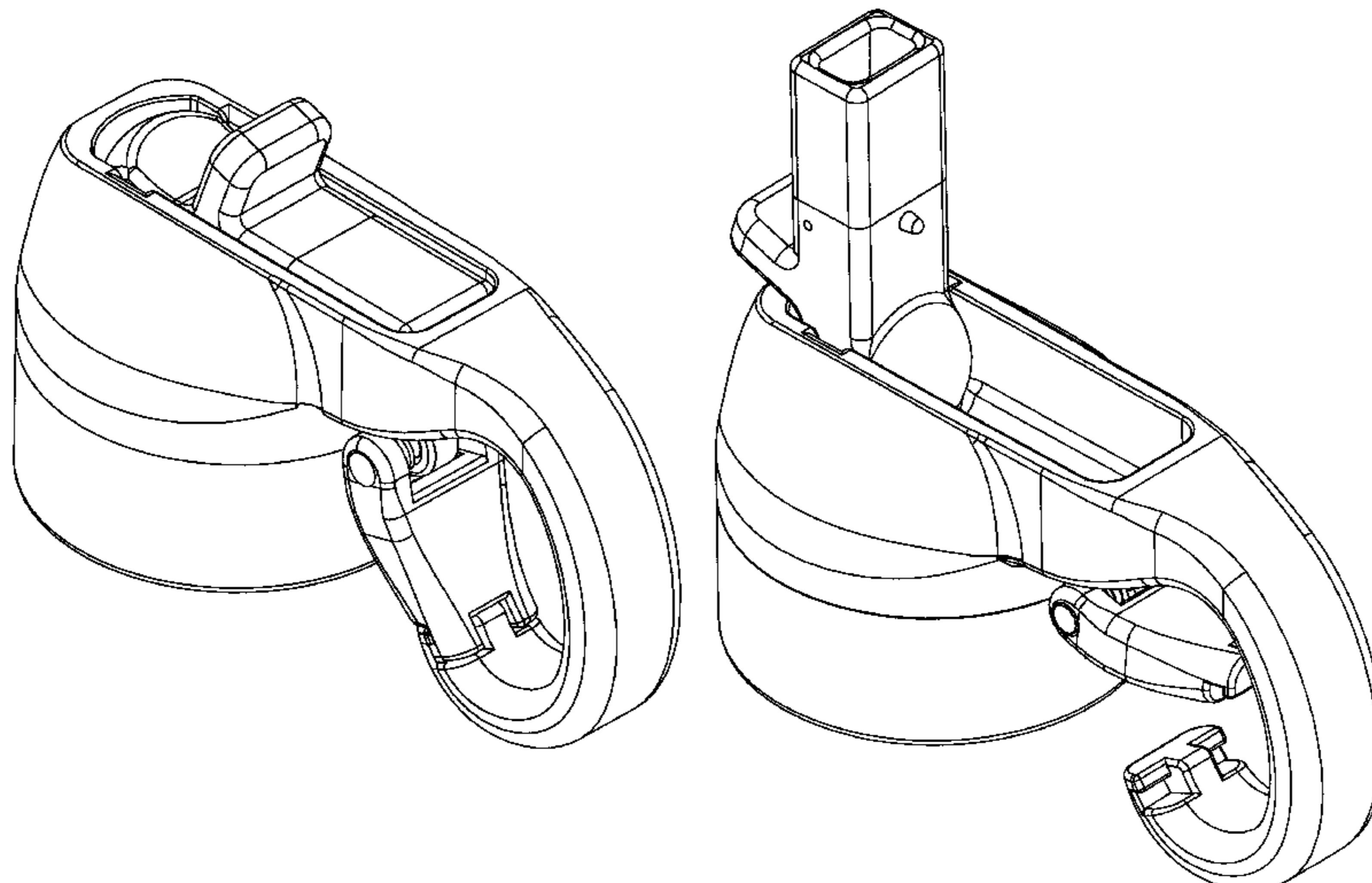
(57) **CLAIM**

The ornamental design for a lid for a water bottle, as shown and described.

DESCRIPTION

FIG. 1 is a perspective view of a lid for a water bottle with a water spout in a closed position showing our new design; FIG. 2 is a cross-sectional view showing a section taken along line 2-2 of FIG. 7; FIG. 3 is a front view thereof; FIG. 4 is a back view thereof; FIG. 5 is an enlarged left side view thereof; FIG. 6 is an enlarged right side view thereof; FIG. 7 is a top view thereof; FIG. 8 is a bottom view thereof; FIG. 9 is a perspective view of the lid for a water bottle with the water spout in an opened position; FIG. 10 is a cross section view showing a section taken along line 10-10 of FIG. 15; FIG. 11 is a front view thereof; FIG. 12 is a rear view thereof; FIG. 13 is an enlarged left side view thereof; FIG. 14 an enlarged right side view thereof; FIG. 15 is a top view thereof; and, FIG. 16 is a bottom view thereof. The broken lines in the drawings depict portions of the lid for a water bottle that form no part of the claimed design.

1 Claim, 16 Drawing Sheets



(56)

References Cited

U.S. PATENT DOCUMENTS

D796,901 S * 9/2017 Pisarevsky D7/510
D799,900 S * 10/2017 Santos D7/510
2012/0199548 A1* 8/2012 Kitto B65D 55/16
215/316
2012/0292790 A1* 11/2012 Tatera B01F 3/04801
261/74
2016/0256910 A1* 9/2016 Niec B21D 26/049

* cited by examiner

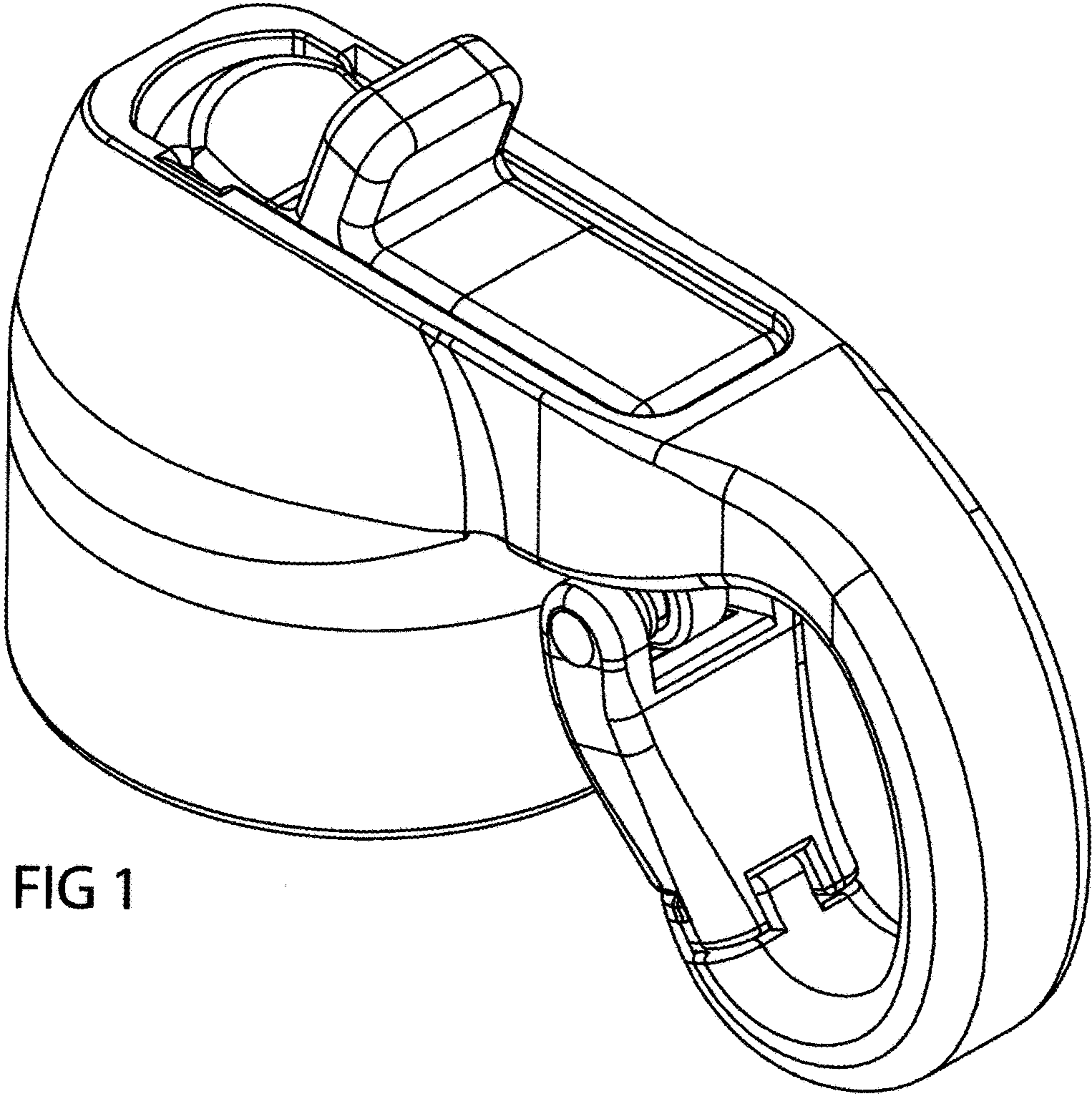


FIG 1

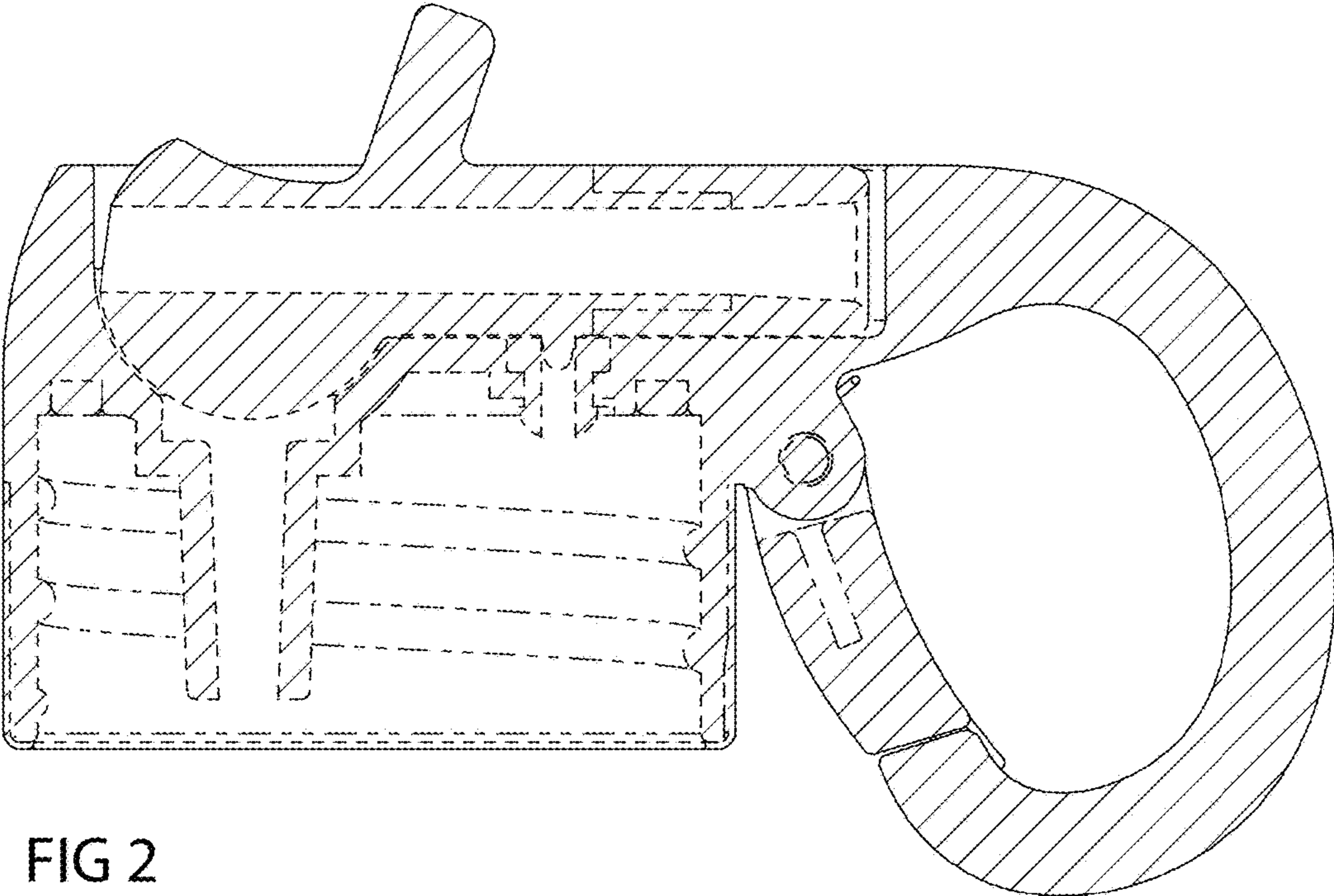


FIG 2

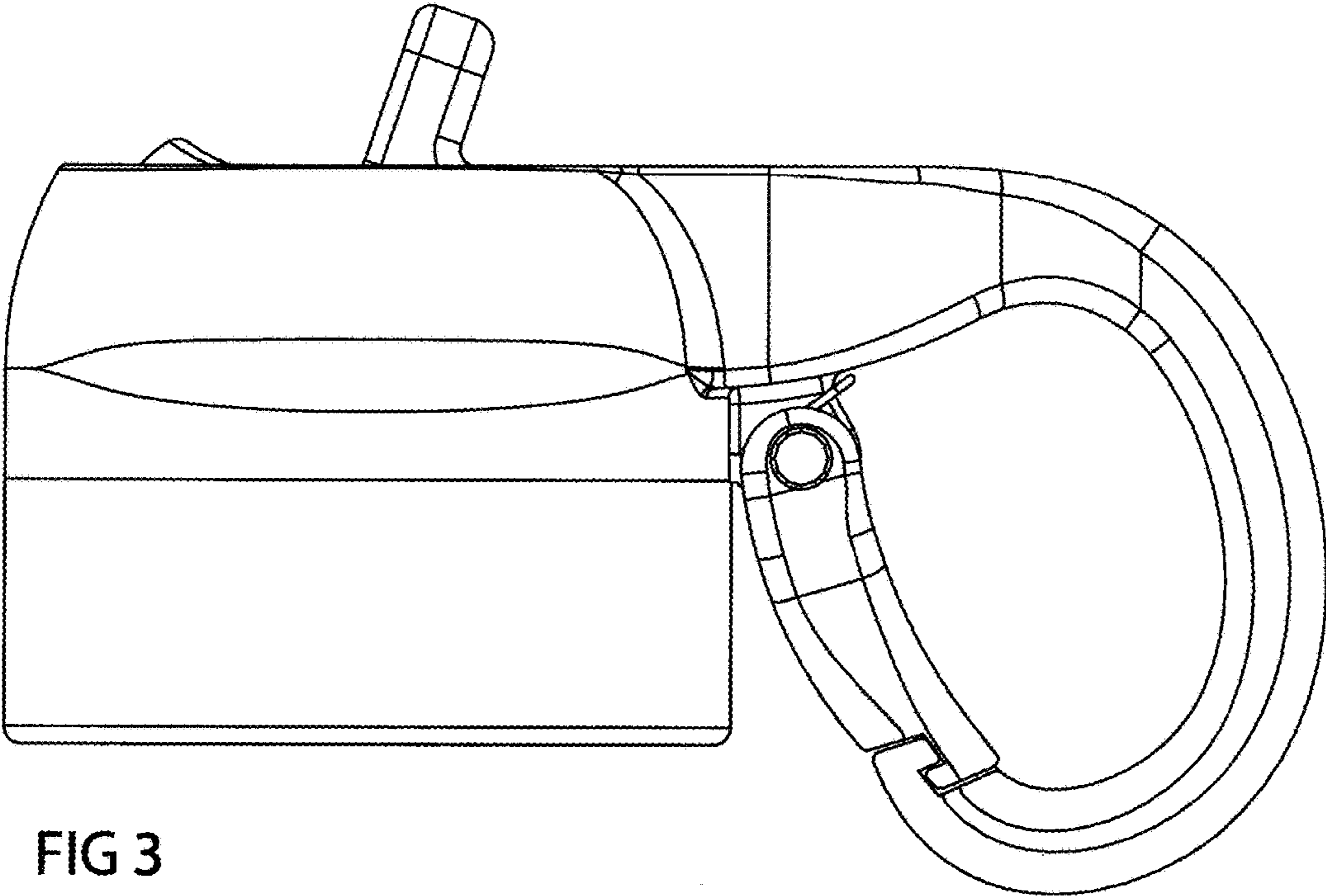


FIG 3

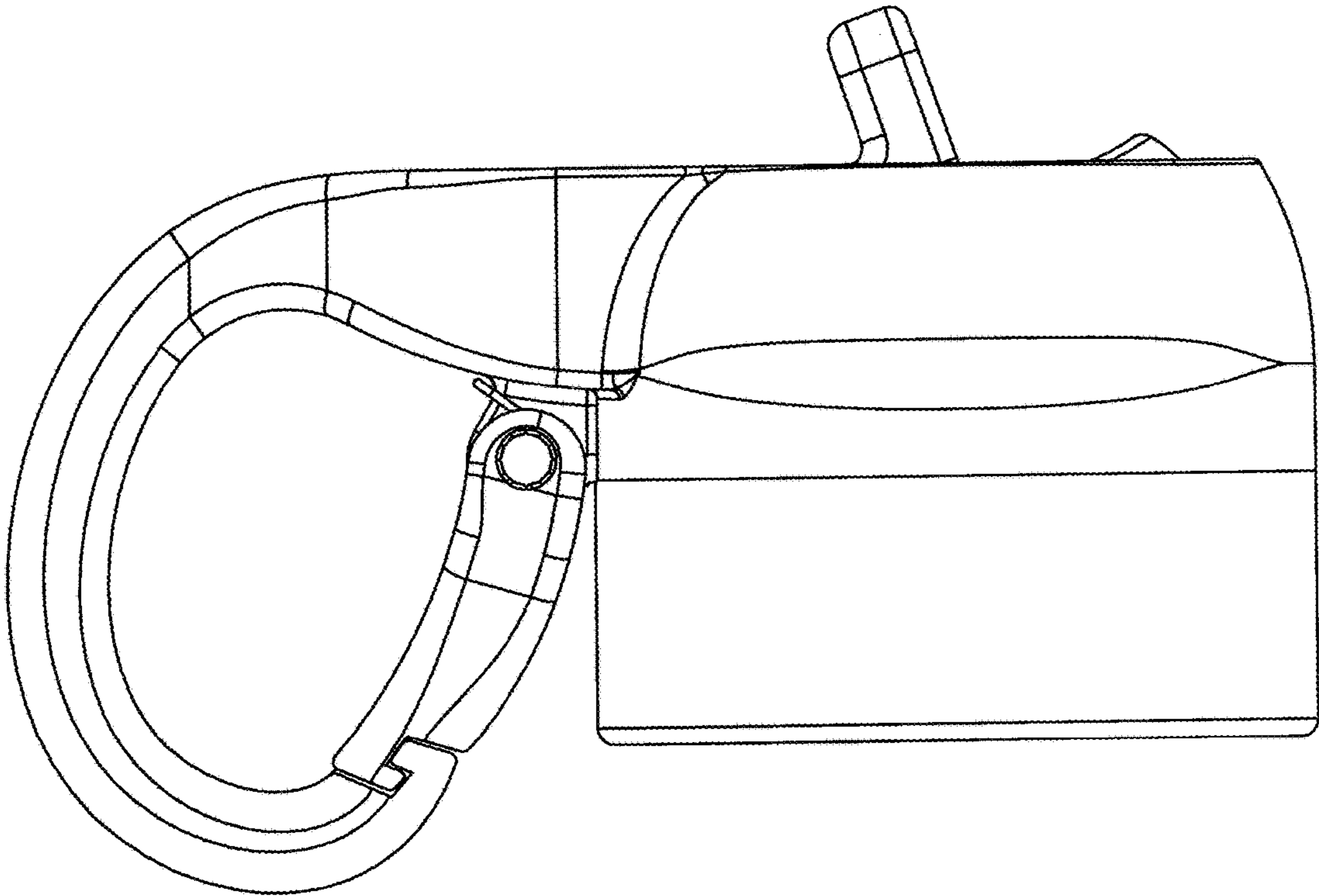


FIG 4

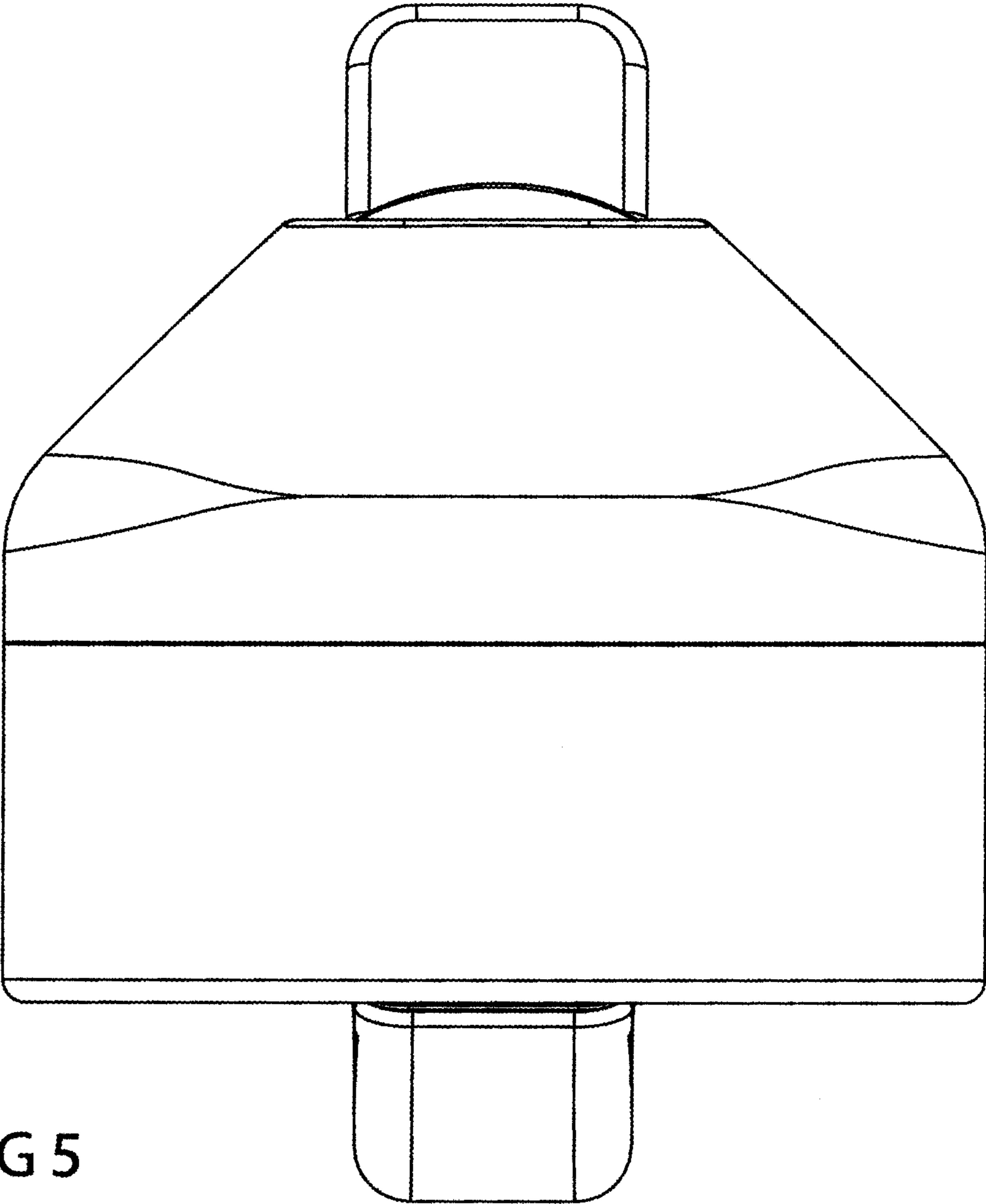


FIG 5

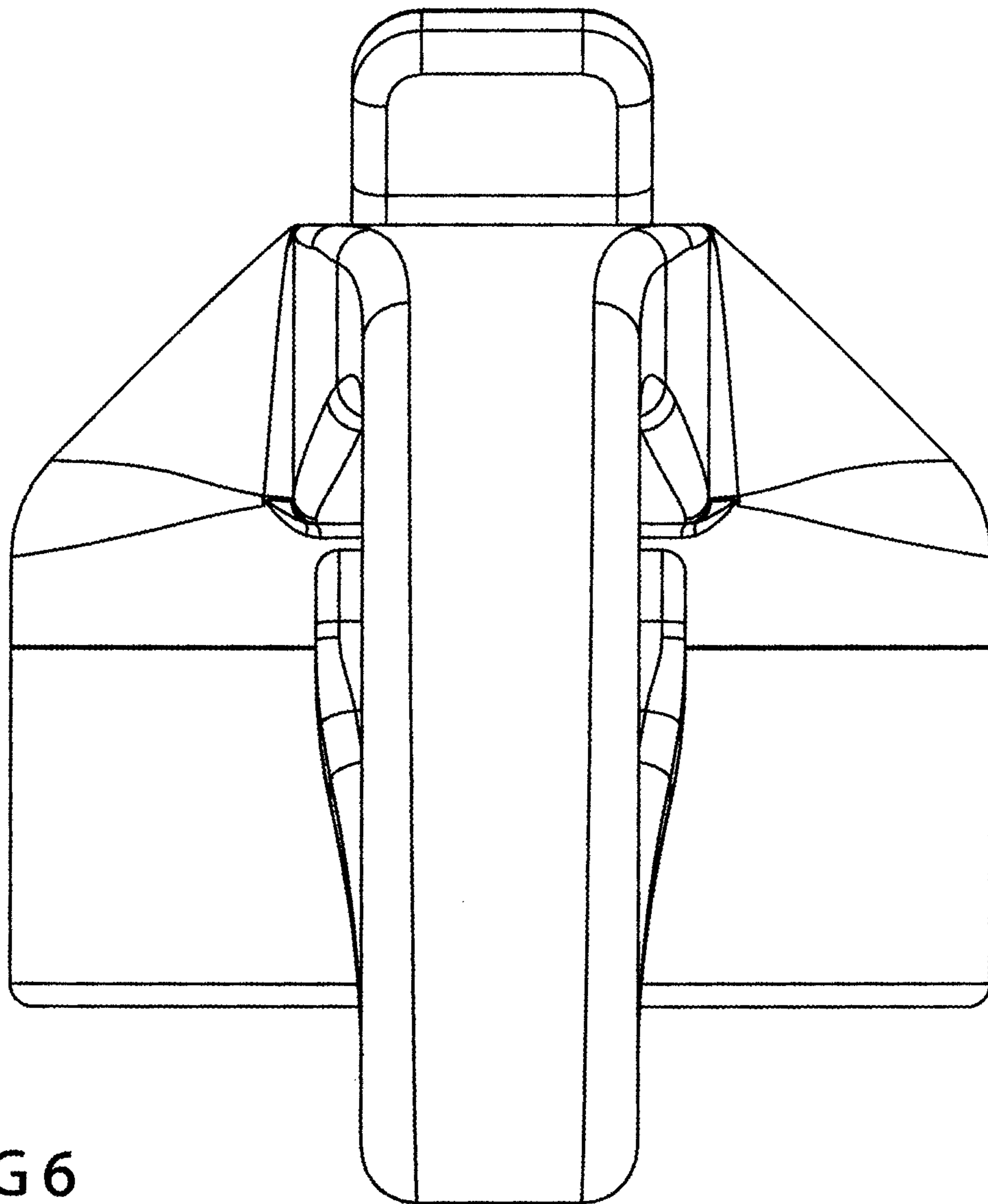


FIG 6

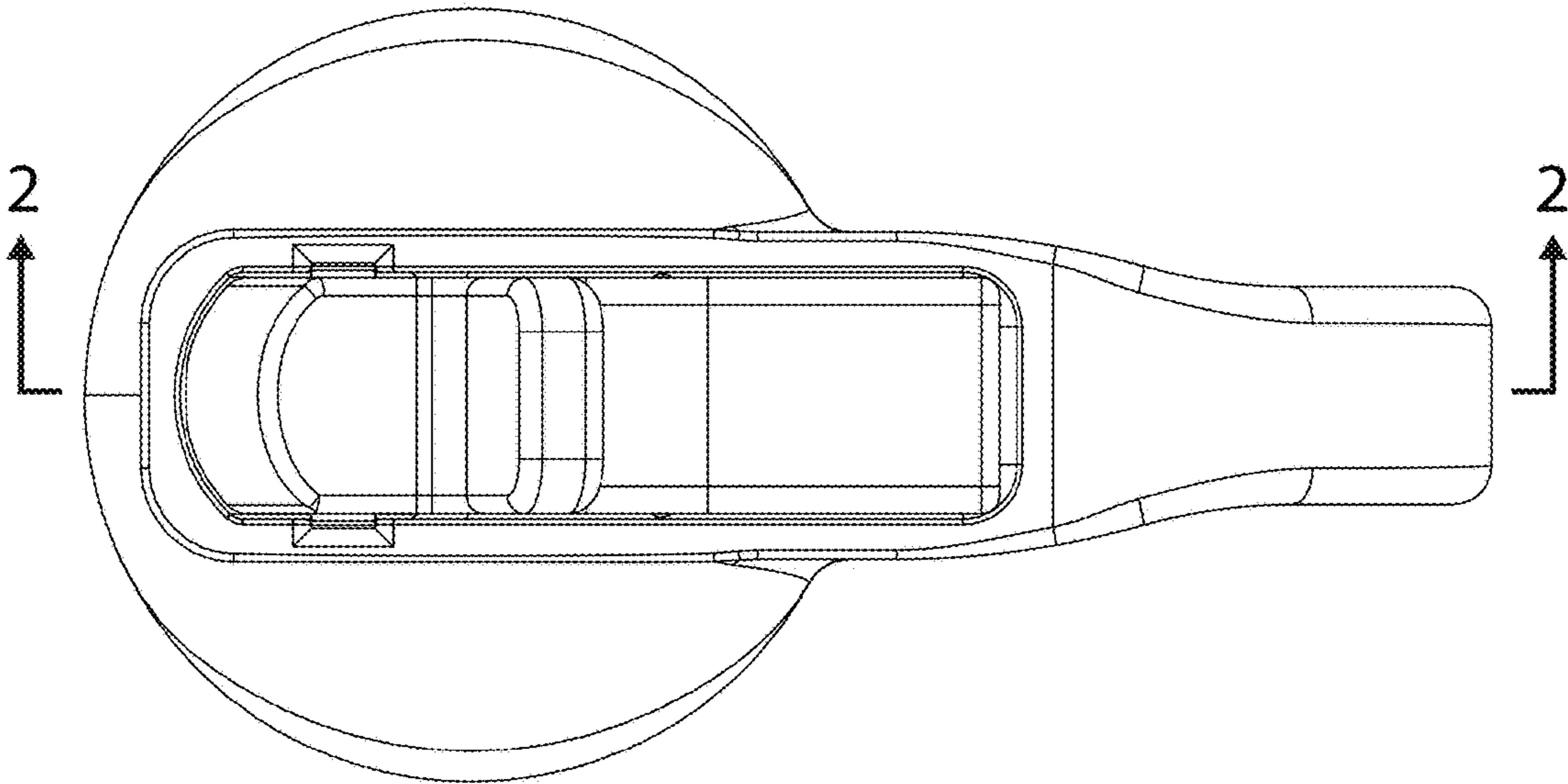


FIG 7

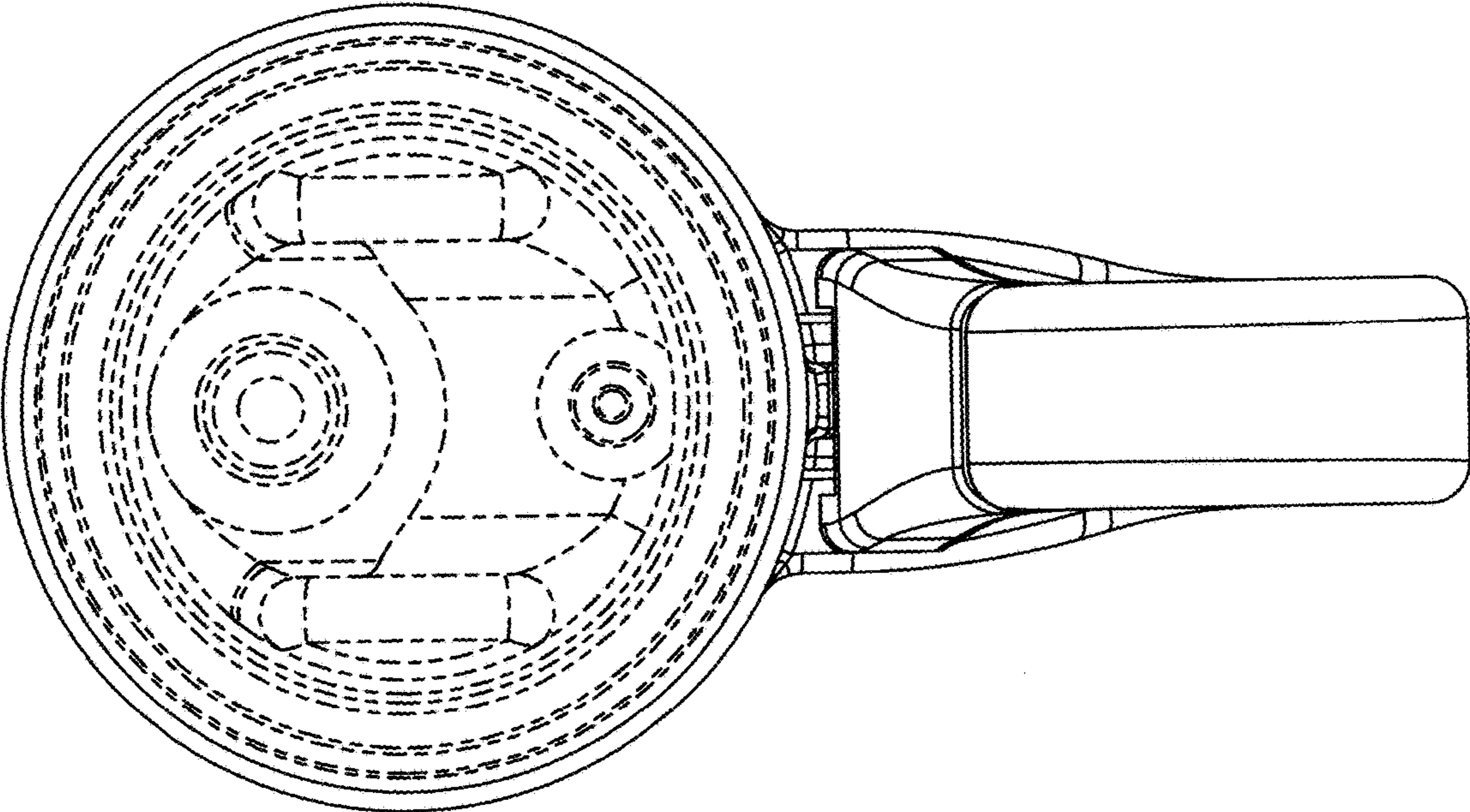


FIG 8

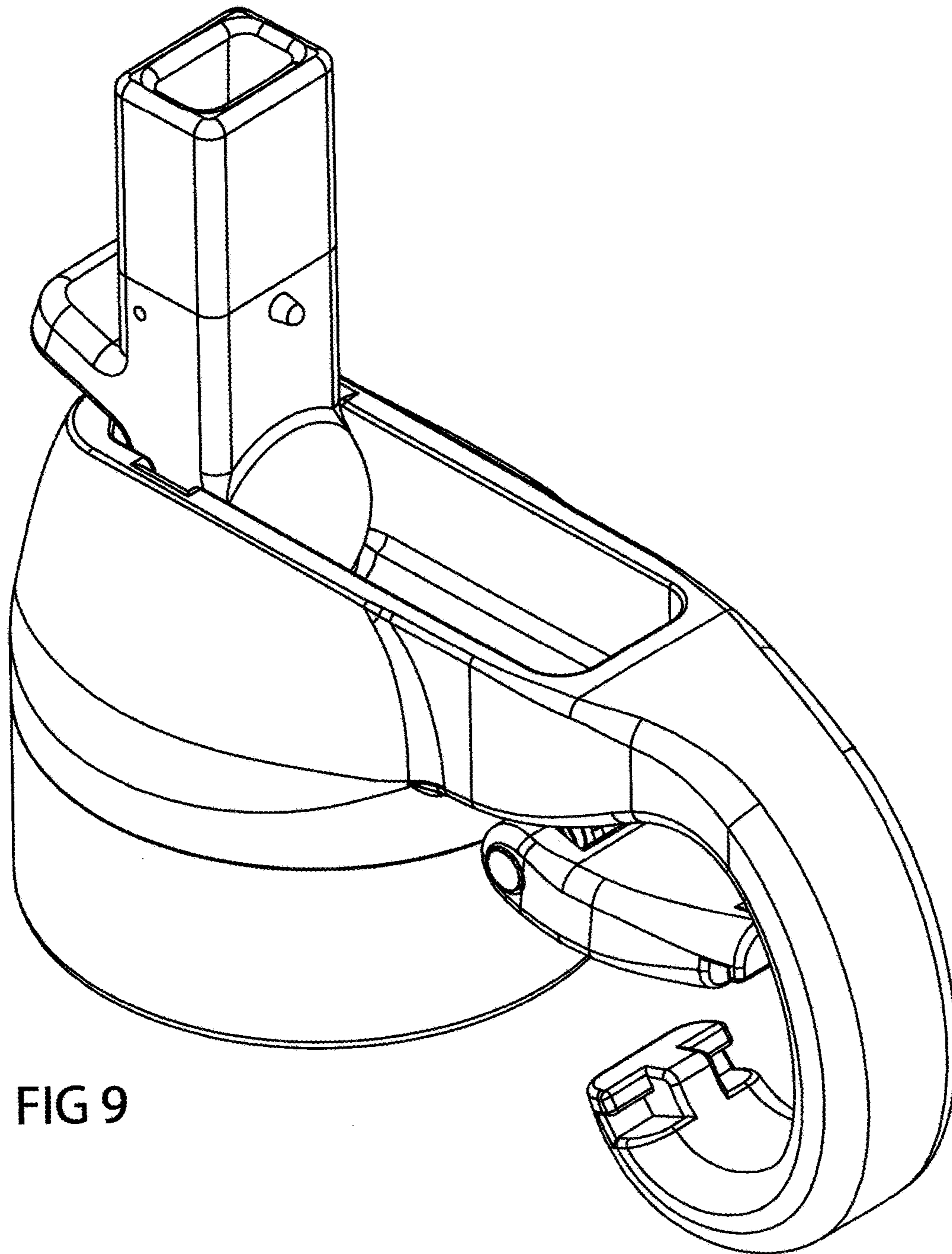


FIG 9

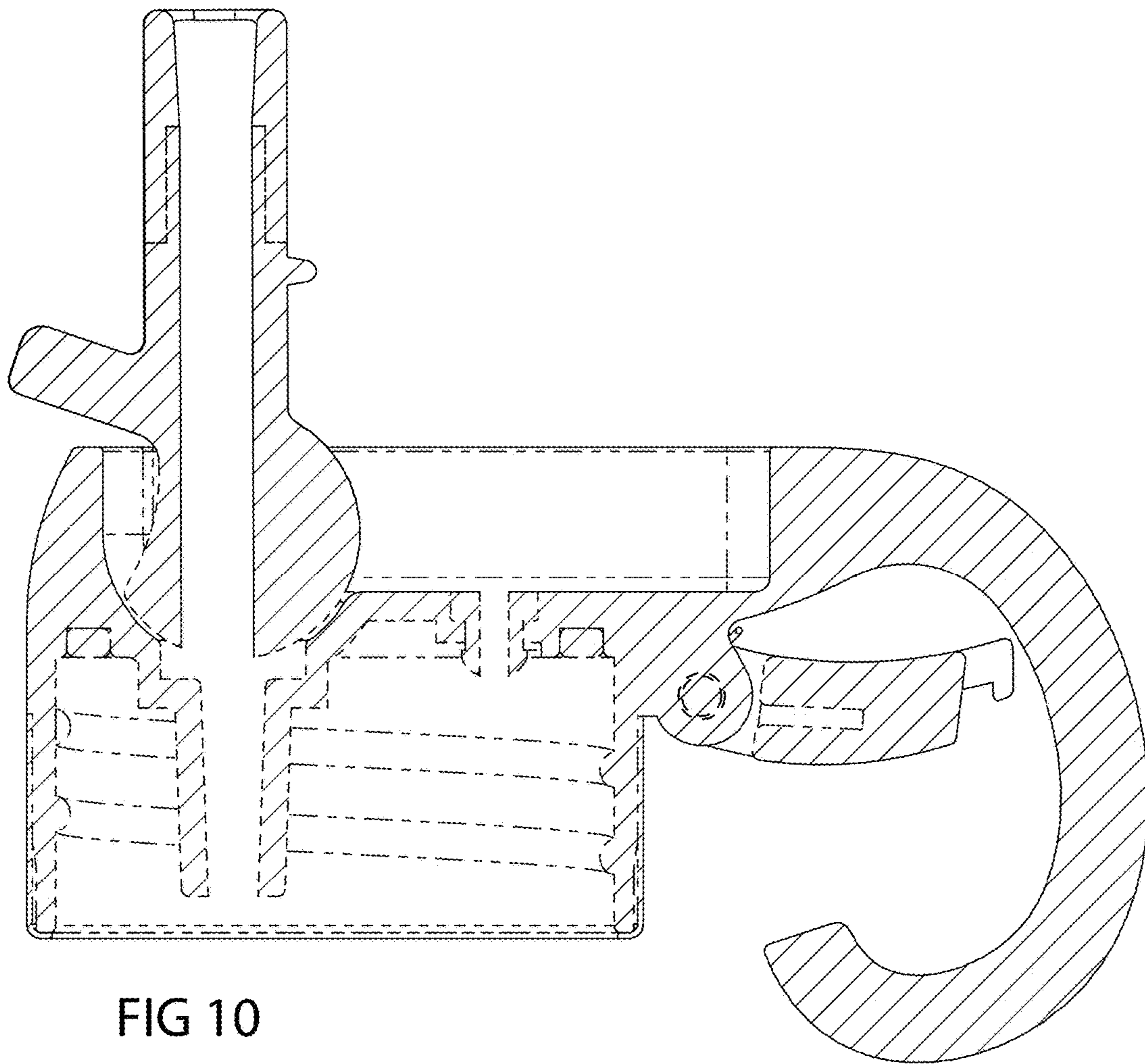


FIG 10

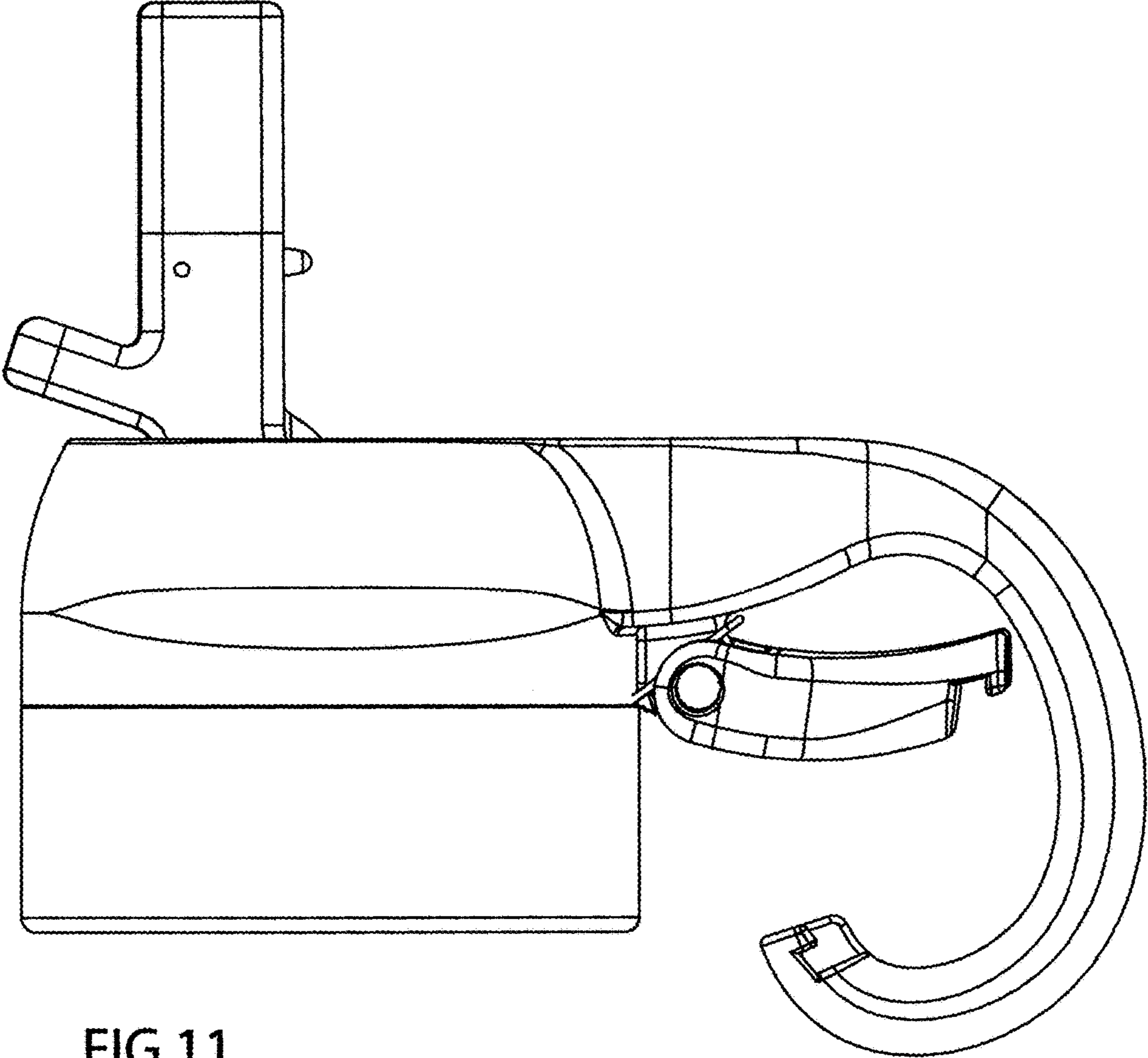


FIG 11

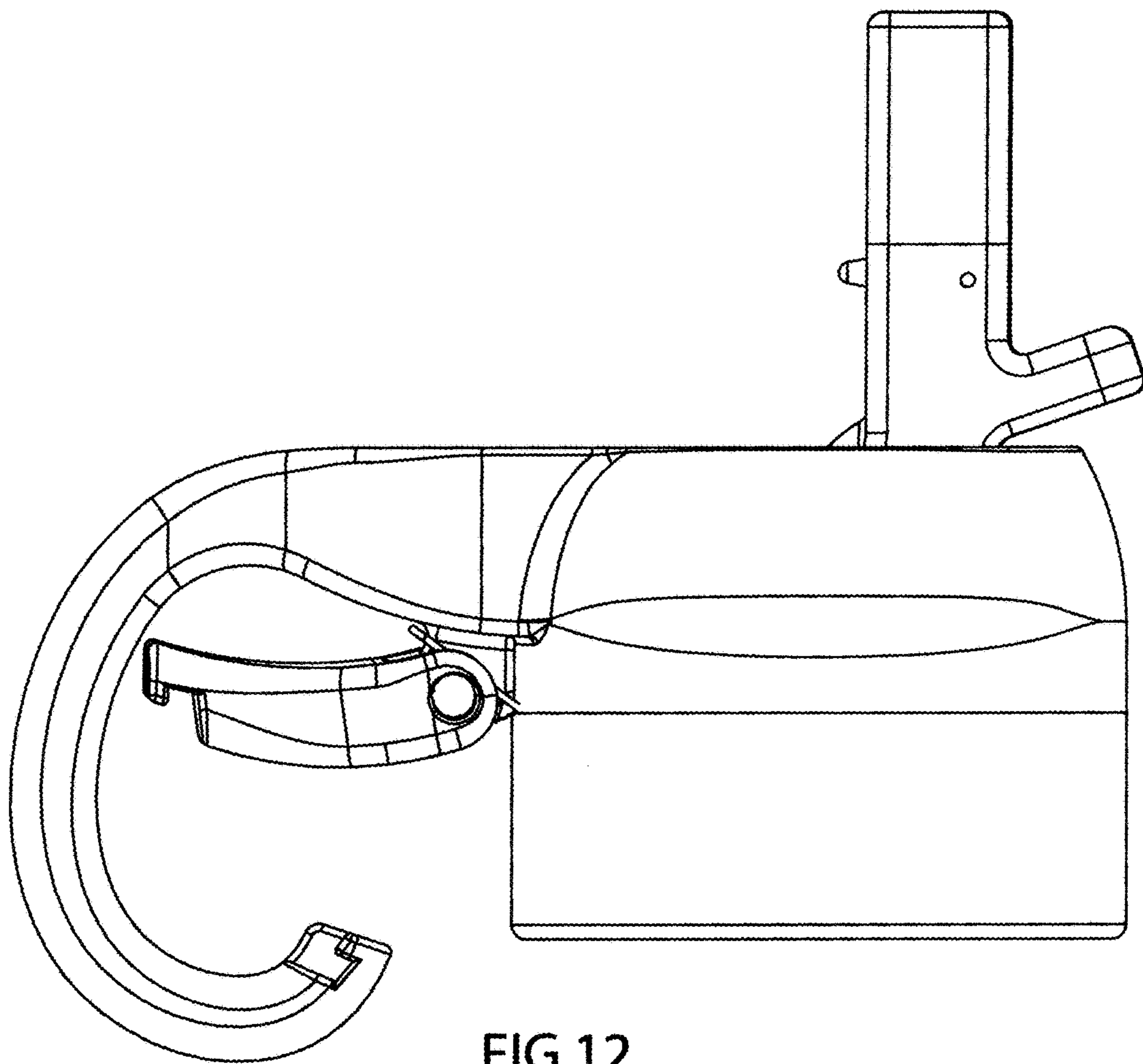


FIG 12

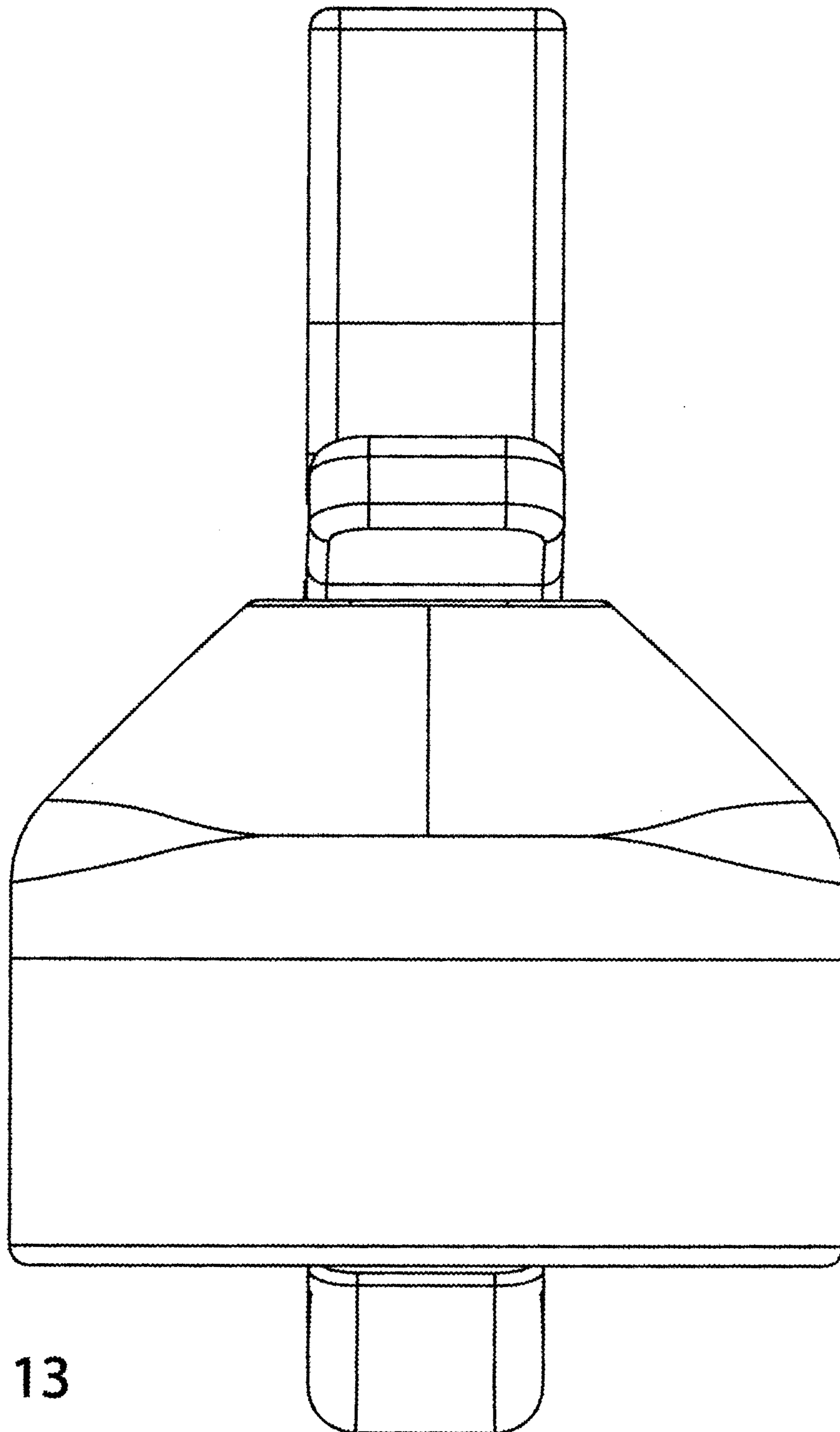


FIG 13

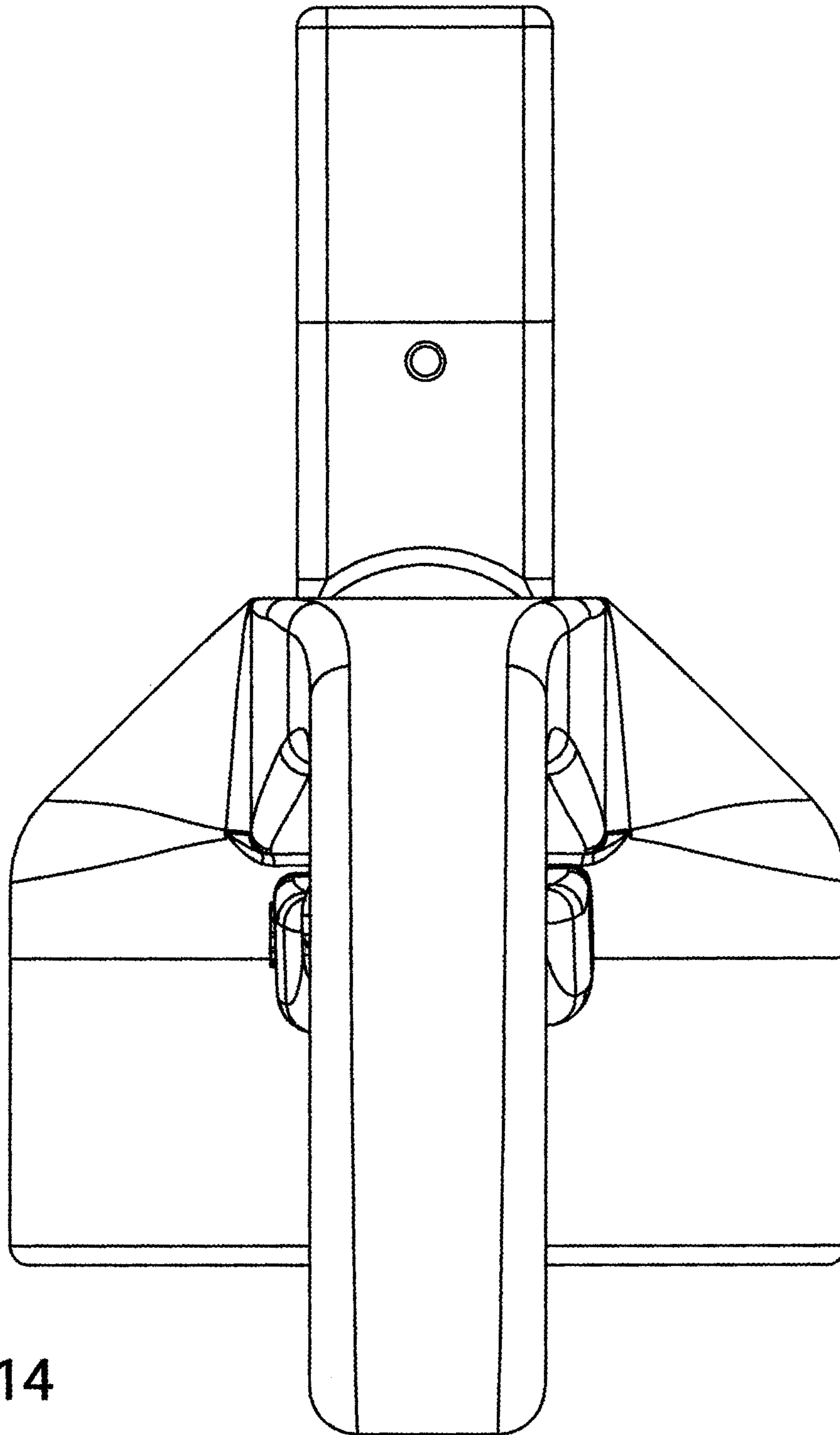


FIG 14

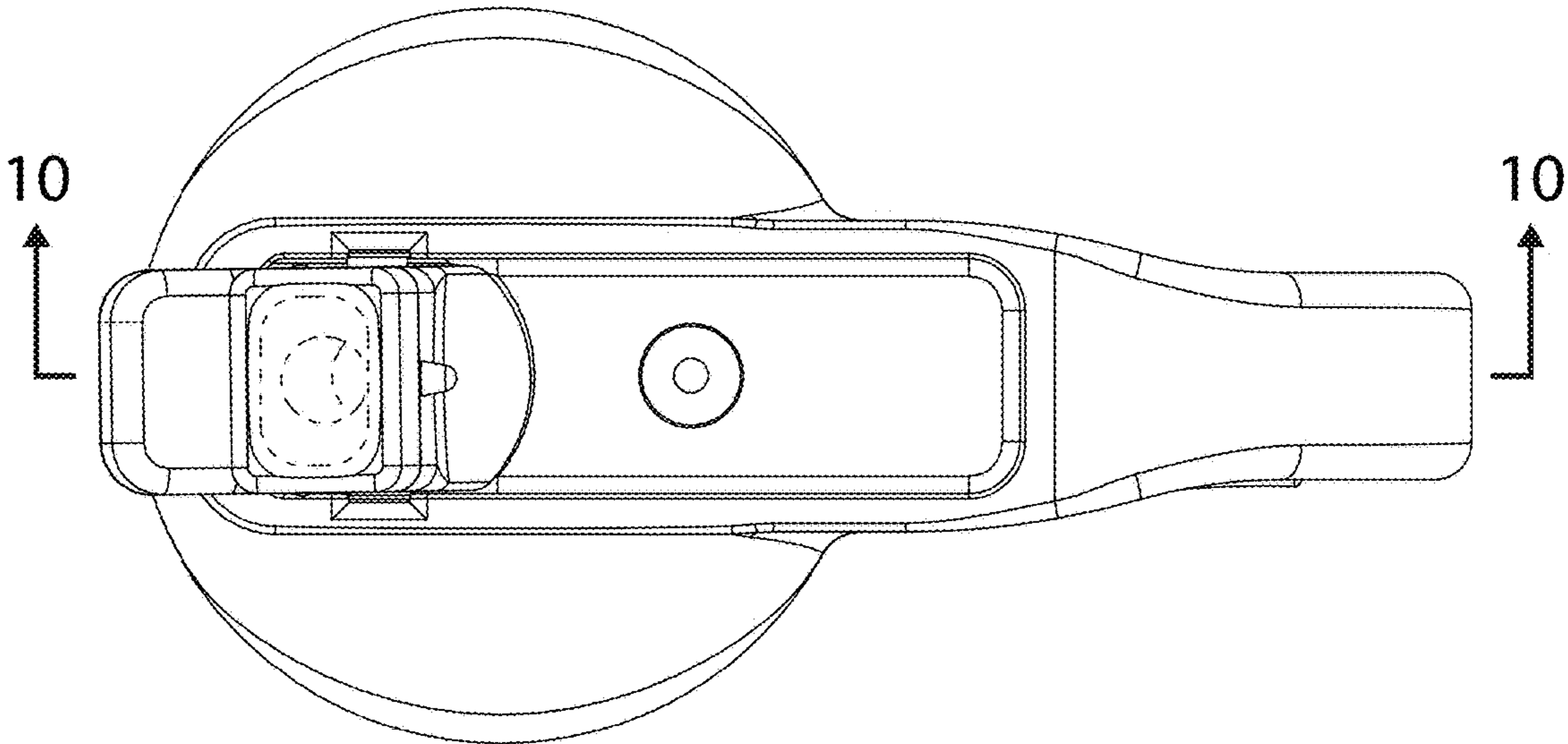


FIG 15

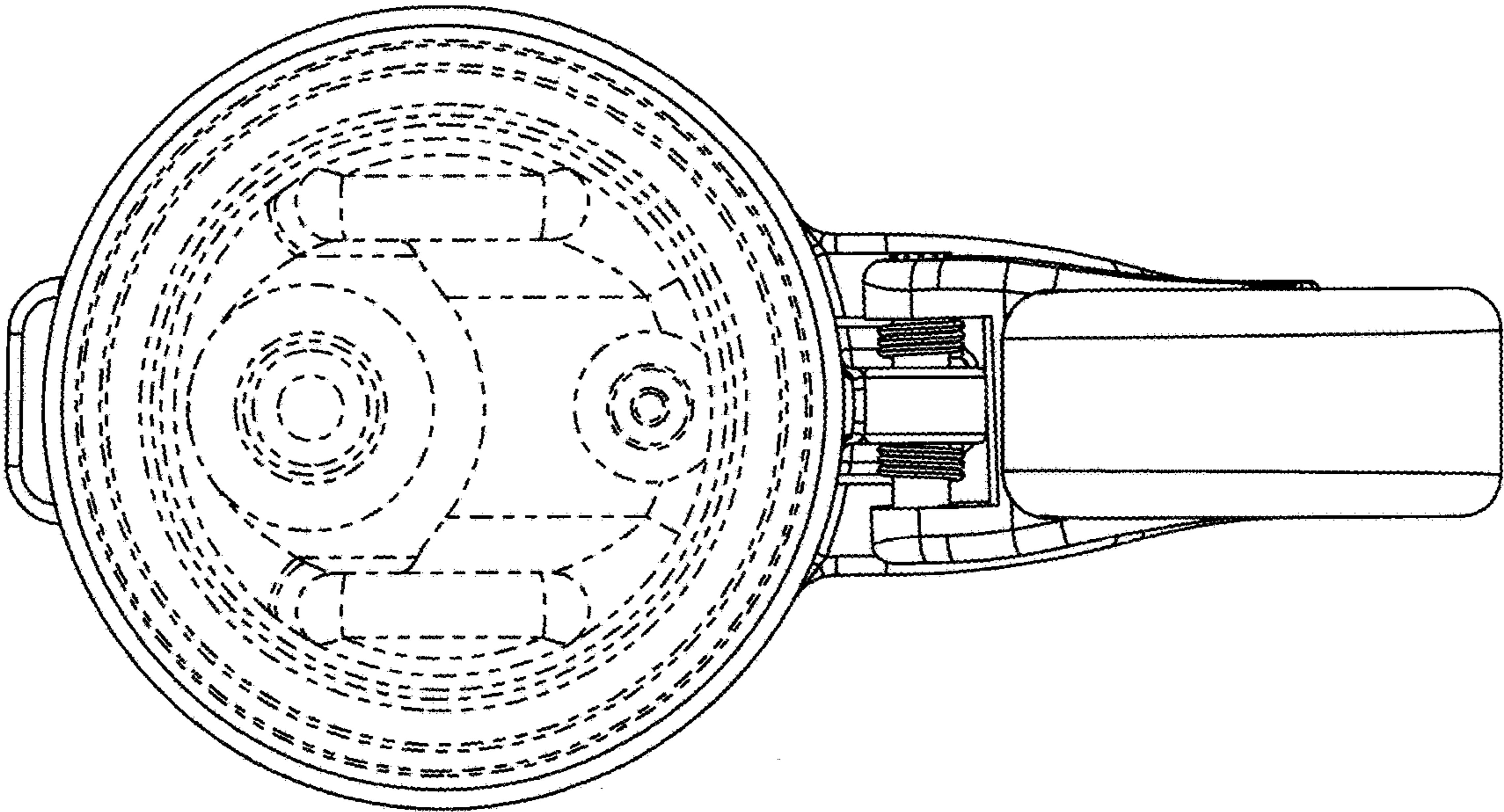


FIG 16