



US00D835937S

(12) **United States Design Patent** (10) **Patent No.:** **US D835,937 S**
Nichols (45) **Date of Patent:** **** Dec. 18, 2018**

(54) **CONTAINER LID**

(74) *Attorney, Agent, or Firm* — Banner & Witcoff, Ltd.

(71) Applicant: **YETI Coolers, LLC**, Austin, TX (US)

(57) **CLAIM**

(72) Inventor: **Steve Charles Nichols**, Austin, TX (US)

The ornamental design for a container lid, as shown and described.

(73) Assignee: **YETI Coolers, LLC**, Austin, TX (US)

(**) Term: **15 Years**

DESCRIPTION

(21) Appl. No.: **29/581,243**

FIG. 1 is a top, front, right perspective view of a container lid showing my new design;
FIG. 2 is a right side view thereof;
FIG. 3 is a left side view thereof;
FIG. 4 is a rear view thereof;
FIG. 5 is a front view thereof;
FIG. 6 is a top view thereof;
FIG. 7 is a bottom view thereof;
FIG. 8 is an exploded view of the perspective view shown in FIG. 1 providing an alternate configuration thereof;
FIG. 9 is an exploded view of the perspective view shown in FIG. 1 providing a second, alternate configuration thereof;
FIG. 10 is an exploded view of the perspective view shown in FIG. 1 providing a third, alternate configuration thereof;
FIG. 11 is a top, front, right perspective view of the container lid of FIG. 1 shown in a position of use on a container drawn in broken lines;
FIG. 12 is a right side view thereof;
FIG. 13 is a left side view thereof;
FIG. 14 is a rear view thereof;
FIG. 15 is a front view thereof;
FIG. 16 is a top view thereof;
FIG. 17 is a bottom view thereof;
FIG. 18 is an exploded view of the perspective view shown in FIG. 11 providing an alternate configuration thereof;
FIG. 19 is an exploded view of the perspective view shown in FIG. 11 providing a second, alternate configuration thereof; and,
FIG. 20 is an exploded view of the perspective view shown in FIG. 11 providing a third, alternate configuration thereof.
The broken lines illustrating a container depict environment and form no part of the claimed design.

(22) Filed: **Oct. 17, 2016**

(51) **LOC (11) Cl.** **07-99**

(52) **U.S. Cl.**
USPC **D7/392.1; D7/396.2; D9/445**

(58) **Field of Classification Search**
USPC D9/414, 415, 424, 425, 434, 435, 436, D9/443, 444-452, 454-456, 499, 529,
(Continued)

(56) **References Cited**

U.S. PATENT DOCUMENTS

D101,575 S * 10/1936 Windbiel D9/449
2,804,103 A 8/1957 Wall
(Continued)

FOREIGN PATENT DOCUMENTS

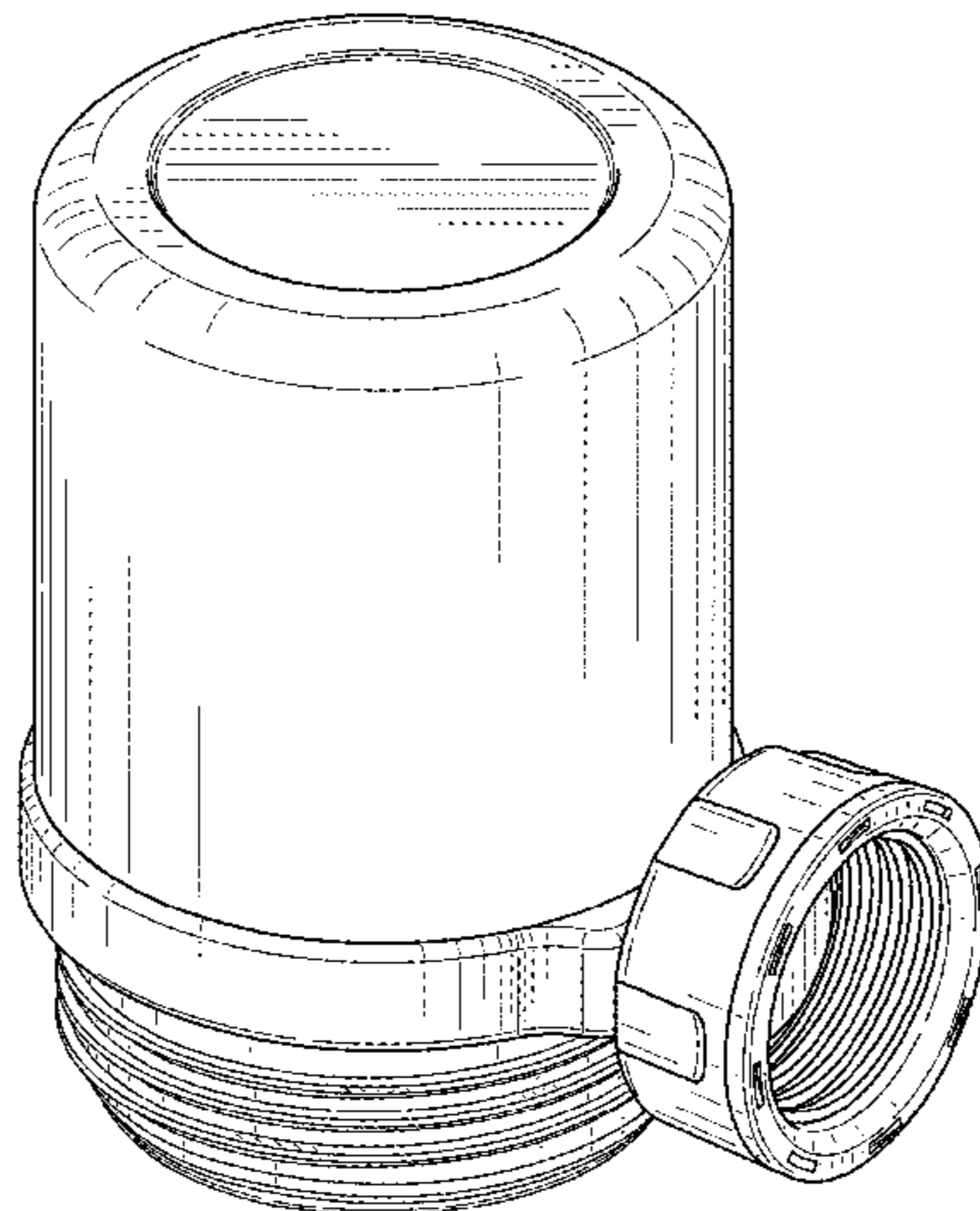
CN 103538798 A 1/2014
CN 303894653 10/2016
(Continued)

OTHER PUBLICATIONS

Avex, "40oz. 3Sixty Pour Stainless Steel Thermal Bottle", Accessed May 18, 2017. <http://www.avexoutdoor.com/3sixty-pour-realtree-thermal-bottle.html>.
(Continued)

Primary Examiner — Michael A. Pratt
Assistant Examiner — Wendy L Arminio

1 Claim, 14 Drawing Sheets



(58) **Field of Classification Search**

USPC D9/682, 685, 686; D7/387, 391, 392, D7/392.1, 396.1, 396.2, 396.3, 396.4, D7/397, 398, 401.1, 507, 509-511, 538, D7/900; D3/202, 203.2; D28/91, 91.1
 CPC .. A61J 1/00; A61J 1/1412; B65D 1/00; B65D 1/02; B65D 1/10; B65D 1/46; B65D 2585/56; B65D 2585/545; B65D 41/00; B65D 41/38; B65D 41/56; B65D 41/62; B65D 47/00; B65D 47/06; B65D 47/08; B65D 2543/00046; B65D 2543/00092; B65D 2543/00296; B65D 5/46; B65D 2251/00

See application file for complete search history.

(56) **References Cited**

U.S. PATENT DOCUMENTS

3,592,349 A 7/1971 Baugh
 D289,614 S * 5/1987 Sanchez D7/392.1
 D292,492 S * 10/1987 Ross D9/452
 4,723,677 A 2/1988 Nagel, Jr.
 4,981,233 A 1/1991 Scheurer
 5,190,178 A 3/1993 Luch
 5,251,788 A * 10/1993 Moore B65D 41/26
 215/330
 5,498,333 A 3/1996 Canther
 5,605,241 A 2/1997 Imperioli
 D407,273 S * 3/1999 Moran D7/317
 D410,175 S * 5/1999 Moran D7/608
 D415,936 S * 11/1999 Moran D7/608
 6,079,589 A 6/2000 Matsuyama et al.
 D437,528 S * 2/2001 Kitamura D7/608
 6,321,924 B1 * 11/2001 Yurkewicz B65D 41/32
 215/251
 6,530,496 B2 * 3/2003 Moran A47J 41/00
 220/560
 6,648,158 B1 11/2003 Lawrence
 D490,275 S * 5/2004 Moran D7/608
 D533,032 S 12/2006 Liu et al.
 D537,714 S * 3/2007 Yerby D9/445
 D540,625 S * 4/2007 Sandberg D7/608
 D553,914 S 10/2007 Wahl
 D557,994 S * 12/2007 Wahl D7/608
 D569,195 S * 5/2008 Kim D7/608
 D583,200 S * 12/2008 Moran D7/629
 7,458,486 B2 12/2008 Weist et al.
 D587,533 S 3/2009 Carreno
 D589,348 S * 3/2009 Miller D9/445
 D599,616 S 9/2009 Cresswell et al.
 D615,361 S 5/2010 Goble
 D621,257 S 8/2010 Gullickson et al.
 D621,258 S 8/2010 Gullickson et al.
 D623,480 S 9/2010 Moran
 D623,481 S * 9/2010 Moran D7/608
 D628,898 S * 12/2010 Barnett D9/448
 D630,474 S 1/2011 Gilbert
 7,870,968 B2 1/2011 Hanson
 D634,160 S 3/2011 Cetera
 D639,177 S 6/2011 Pape
 D640,466 S 6/2011 Staton
 D641,591 S 7/2011 Tsukida
 8,011,535 B2 9/2011 Tauber et al.
 D651,050 S * 12/2011 Goshi D7/608
 D653,499 S * 2/2012 Dietterle D7/389
 D657,196 S 4/2012 Beyers, III
 8,177,097 B2 5/2012 Duran
 8,215,511 B1 7/2012 Lin
 D665,621 S 8/2012 Eyal
 8,245,870 B2 8/2012 McKinney et al.
 D666,908 S * 9/2012 Dabah D9/445
 D670,137 S 11/2012 Gilbert
 D673,459 S * 1/2013 Moran, Sr. D7/608
 D677,119 S 3/2013 Ying
 D682,016 S 5/2013 Knight

D682,617 S * 5/2013 Miksovsky D7/507
 8,505,760 B2 8/2013 Ott
 8,584,902 B2 * 11/2013 Dejonge B65D 50/061
 215/214
 8,622,229 B2 1/2014 Lane
 D702,092 S 4/2014 Mettler et al.
 8,695,822 B2 4/2014 Kwon
 8,708,176 B2 4/2014 Andis
 8,720,730 B2 5/2014 Bodden, Jr.
 8,752,720 B1 6/2014 Habig et al.
 D708,914 S * 7/2014 Moran, Sr. D7/608
 8,833,586 B2 9/2014 Meyers et al.
 D714,584 S 10/2014 Boroski
 D719,780 S 12/2014 Sullivan
 D735,033 S 7/2015 Lynd et al.
 9,113,698 B2 8/2015 Blain et al.
 9,126,731 B2 9/2015 Chen
 D743,742 S 11/2015 Rummel et al.
 9,205,445 B2 12/2015 Fang et al.
 D751,898 S 3/2016 D'Anglade
 9,272,822 B2 3/2016 Samartgis
 9,376,243 B2 6/2016 Cervený
 D760,586 S 7/2016 Seiders et al.
 D761,624 S 7/2016 McLean et al.
 D763,076 S 8/2016 Lane et al.
 D767,390 S 9/2016 Miksovsky et al.
 D772,652 S 11/2016 Yao
 D772,718 S 11/2016 Lee
 9,493,283 B2 11/2016 Tuyn
 D773,938 S 12/2016 Weber
 D774,826 S * 12/2016 Boroski D7/510
 D778,117 S 2/2017 Du
 D778,118 S 2/2017 Du
 9,586,733 B2 3/2017 Garza
 D784,812 S * 4/2017 Miller D9/435
 D790,913 S * 7/2017 Stover D7/396.2
 D791,542 S * 7/2017 Miksovsky D7/510
 9,771,189 B2 9/2017 Miksovsky et al.
 D799,269 S 10/2017 Vargo
 D806,465 S * 1/2018 Boroski D7/391
 2004/0016715 A1 1/2004 Strikovic
 2004/0206721 A1 10/2004 Swanberg et al.
 2005/0274741 A1 12/2005 Cho
 2006/0180585 A1 8/2006 Cunningham et al.
 2007/0108153 A1 5/2007 Weist
 2008/0142466 A1 6/2008 Balitski
 2010/0215294 A1 8/2010 Berman
 2011/0056386 A1 3/2011 Taketani
 2013/0136382 A1 5/2013 Barron
 2013/0306642 A1 * 11/2013 Dabah B65D 51/28
 220/521
 2014/0312077 A1 10/2014 Tajima et al.
 2016/0159538 A1 6/2016 Michie
 2016/0167852 A1 6/2016 Moradi
 2016/0256359 A1 9/2016 Trawick et al.
 2016/0355305 A1 12/2016 Hoskins
 2017/0001772 A1 1/2017 Rho
 2017/0127859 A1 5/2017 Hornung et al.
 2017/0158398 A1 6/2017 Shively
 2017/0158412 A1 * 6/2017 Seiders B65D 25/2835
 2017/0354289 A1 12/2017 Marina et al.
 2018/0029762 A1 2/2018 Eyal

FOREIGN PATENT DOCUMENTS

CN 303899030 10/2016
 CN 303902404 11/2016
 CN 303905254 11/2016
 CN 303905266 11/2016
 CN 303944047 11/2016
 CN 303956194 12/2016
 CN 303965272 12/2016
 CN 303965286 12/2016
 CN 303965392 12/2016
 CN 303965400 12/2016
 CN 303966239 12/2016
 CN 303974938 12/2016
 CN 303984407 12/2016
 CN 303984493 12/2016

(56)

References Cited

FOREIGN PATENT DOCUMENTS

CN	304011213		1/2017
CN	304011214		1/2017
CN	205998332	U	3/2017
DE	102014011506	B3	7/2015
DK	402016101176-0008		11/2016
DK	402016101176-0010		11/2016
EM	003528504-0004		12/2016
EP	1934106	A1	6/2008
JP	2008162679	A	7/2008
KR	300878085.0000		10/2016
KR	300883384.0000		11/2016
KR	300884377.0000		12/2016
KR	300885455.0000		12/2016
KR	300885851.0000		12/2016
KR	300888536.0000		1/2017
RU	00100680		11/2016
WO	07123365	A1	11/2007
WO	08048039	A1	4/2008

OTHER PUBLICATIONS

Mar. 27, 2018—(WO) International Search Report and Written Opinion—App. No. PCT/US20171057010—19 pages.

* cited by examiner

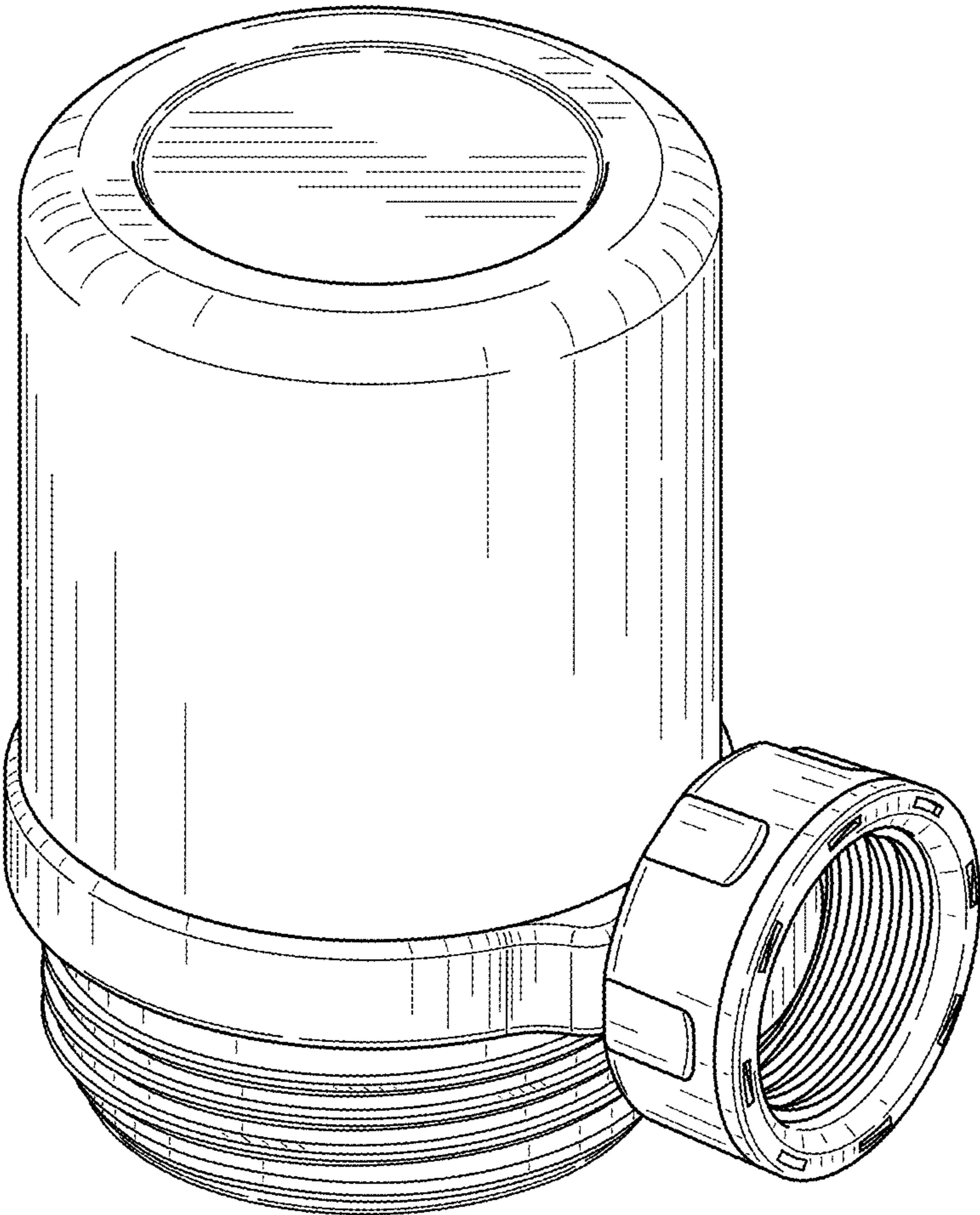


FIG. 1

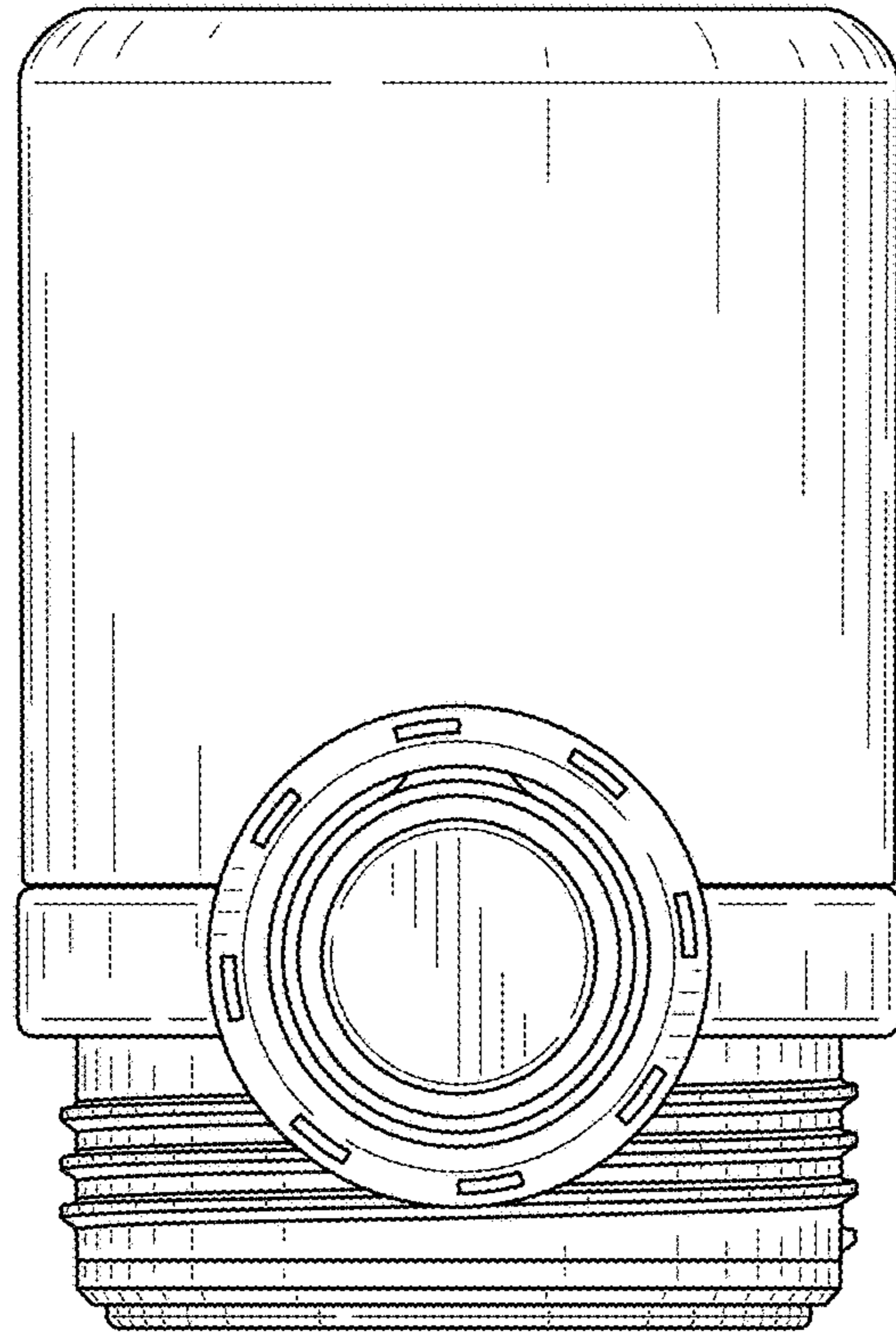


FIG. 2

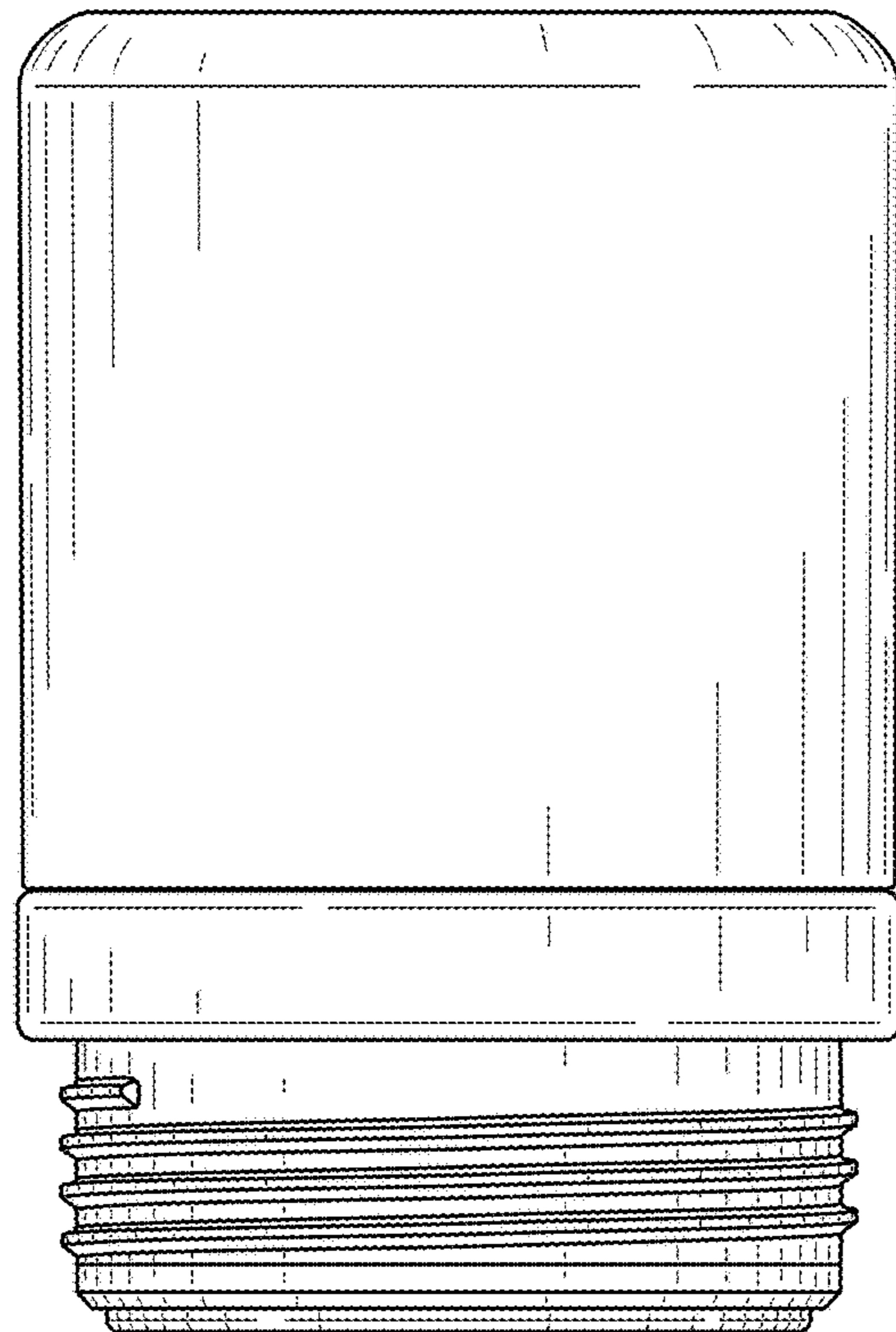


FIG. 3

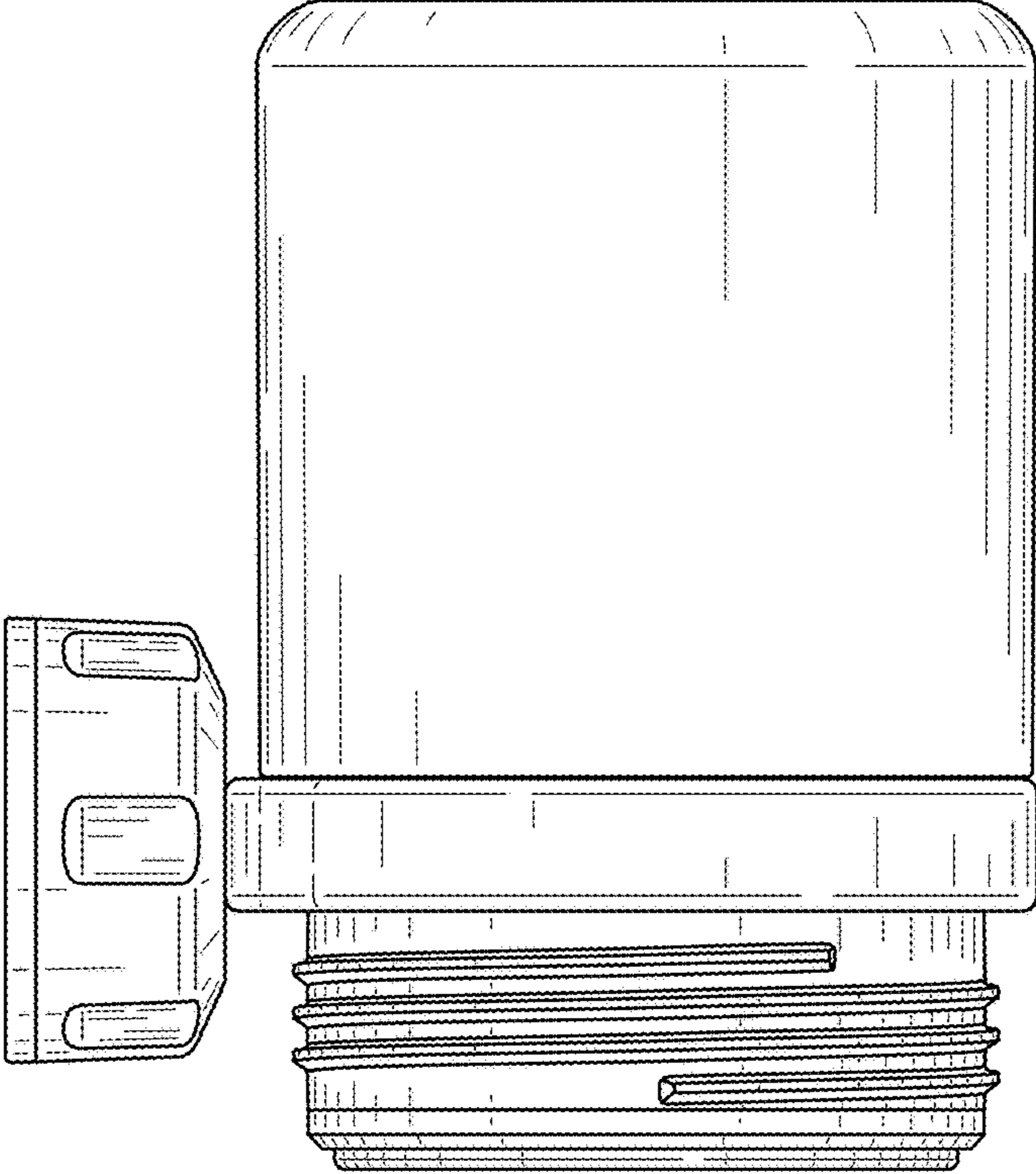


FIG. 4

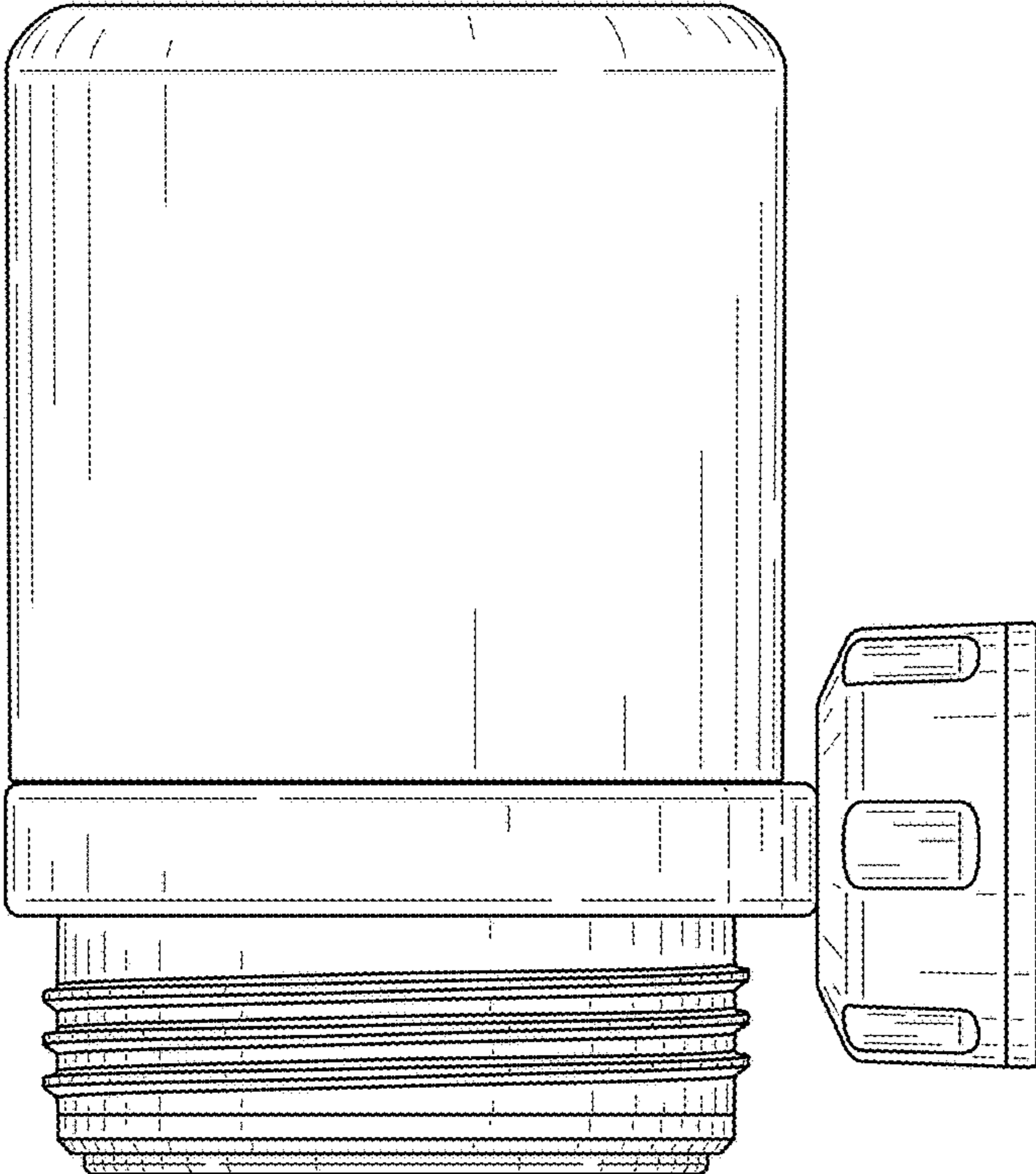


FIG. 5

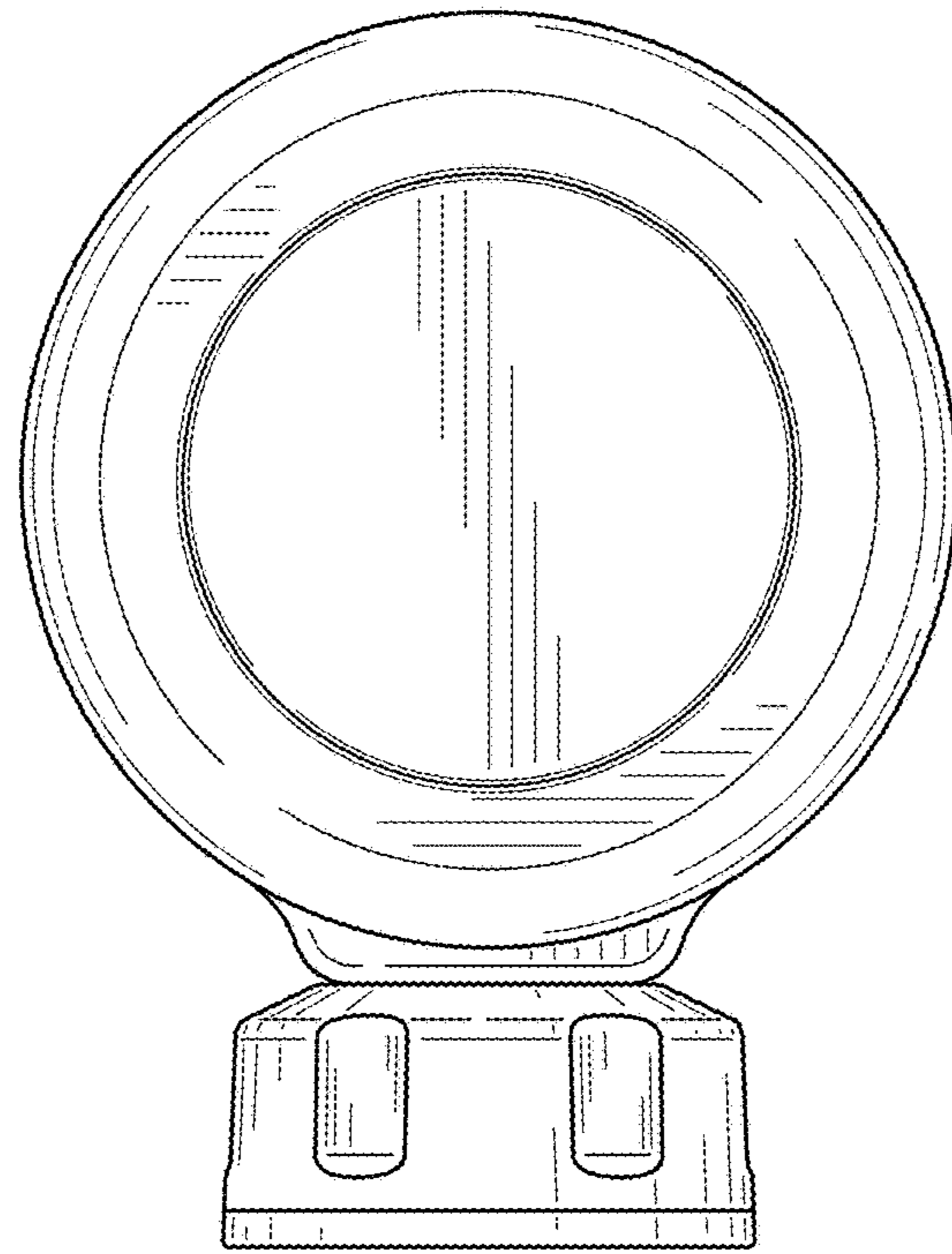


FIG. 6

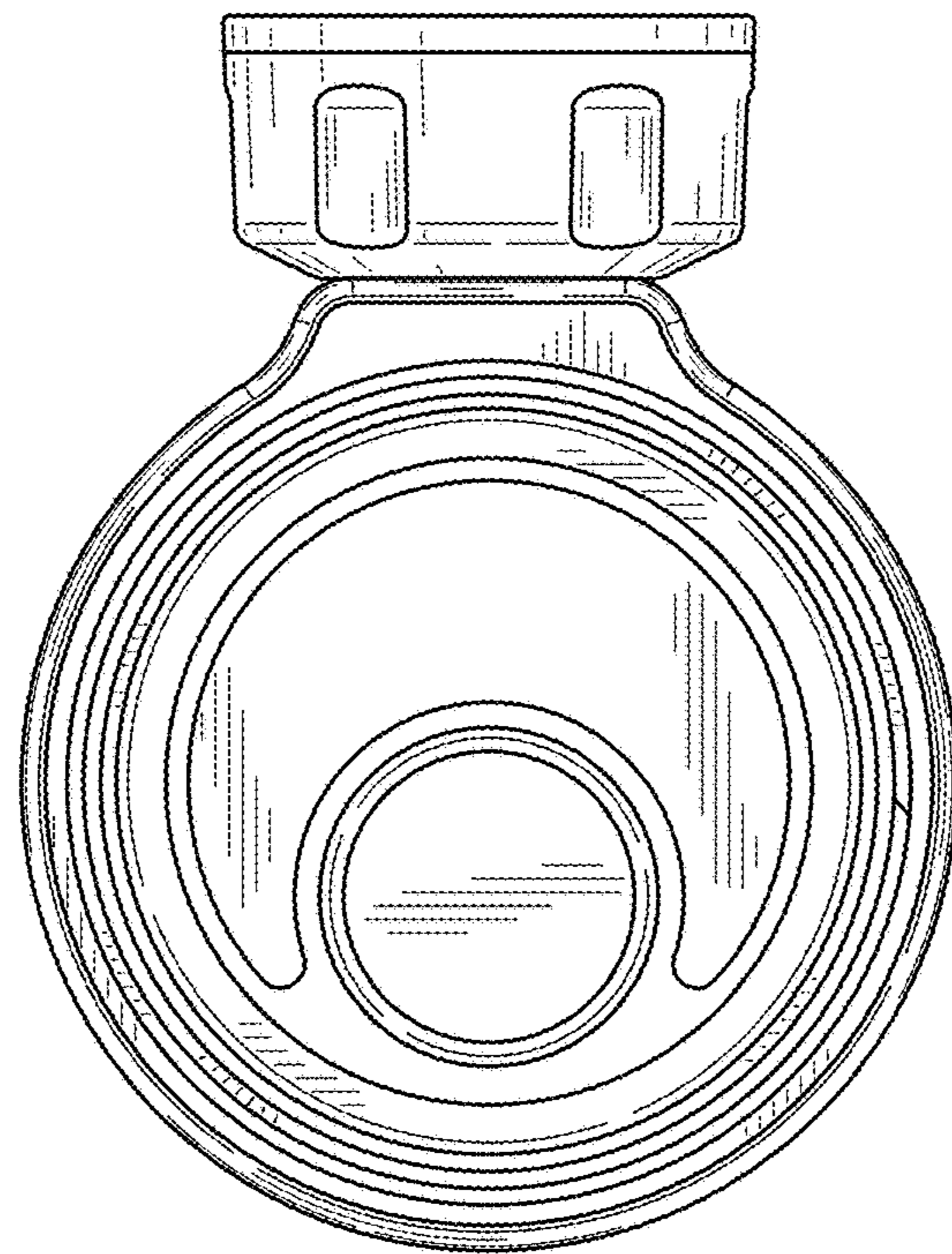


FIG. 7

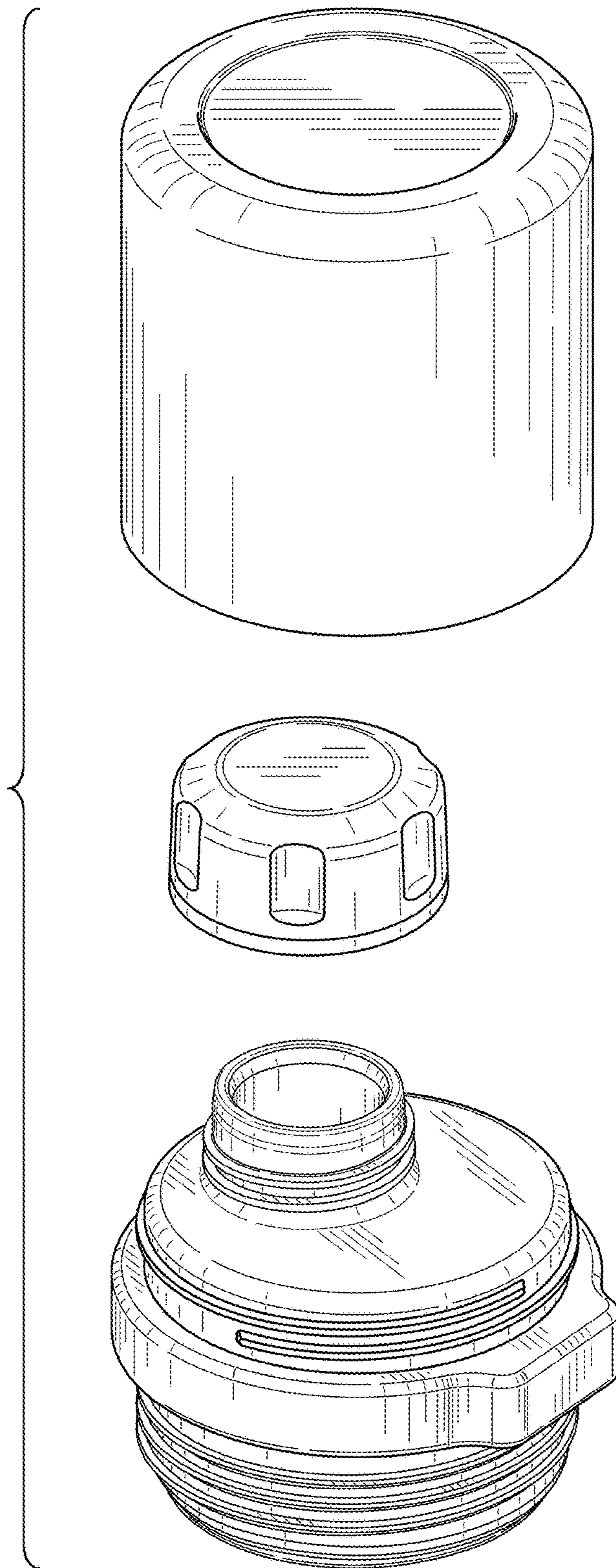


FIG. 8

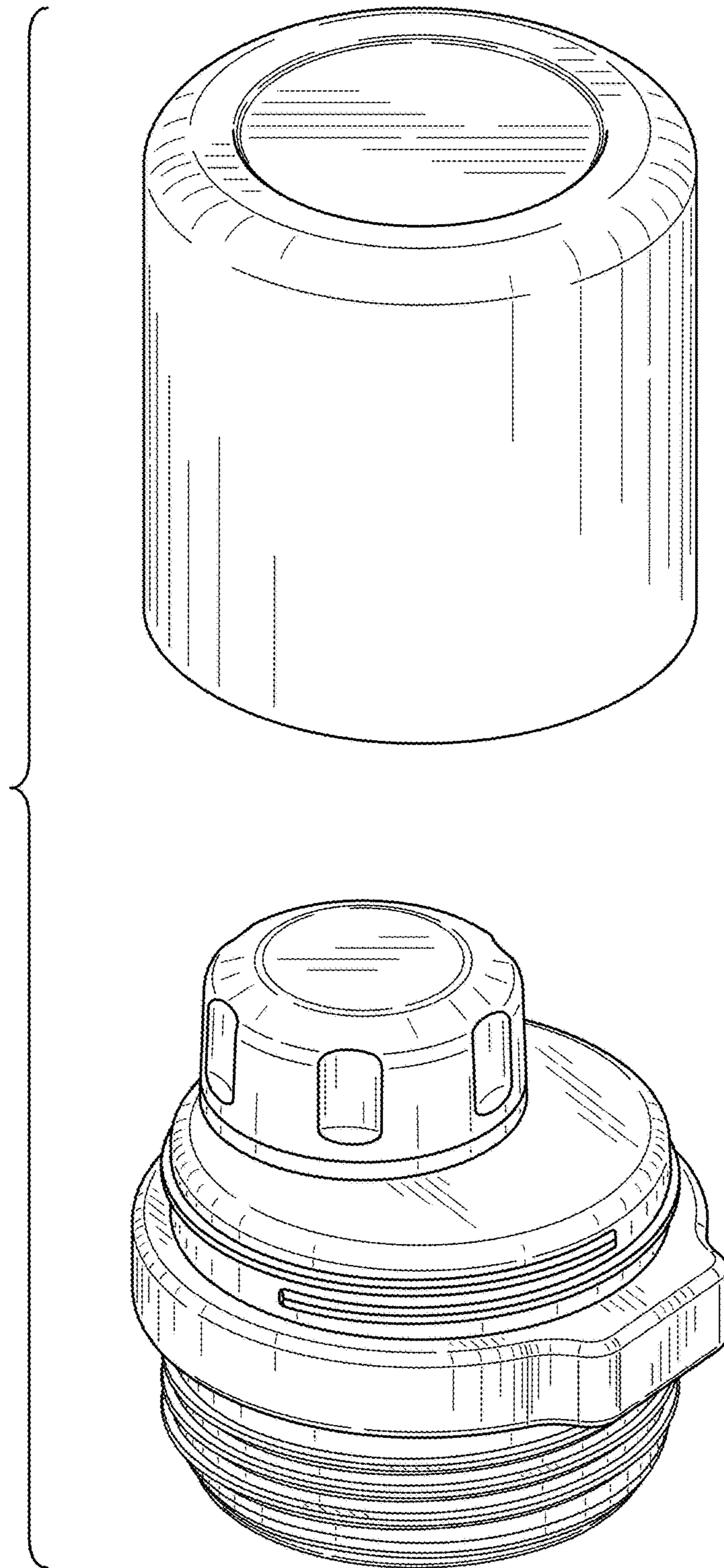


FIG. 9

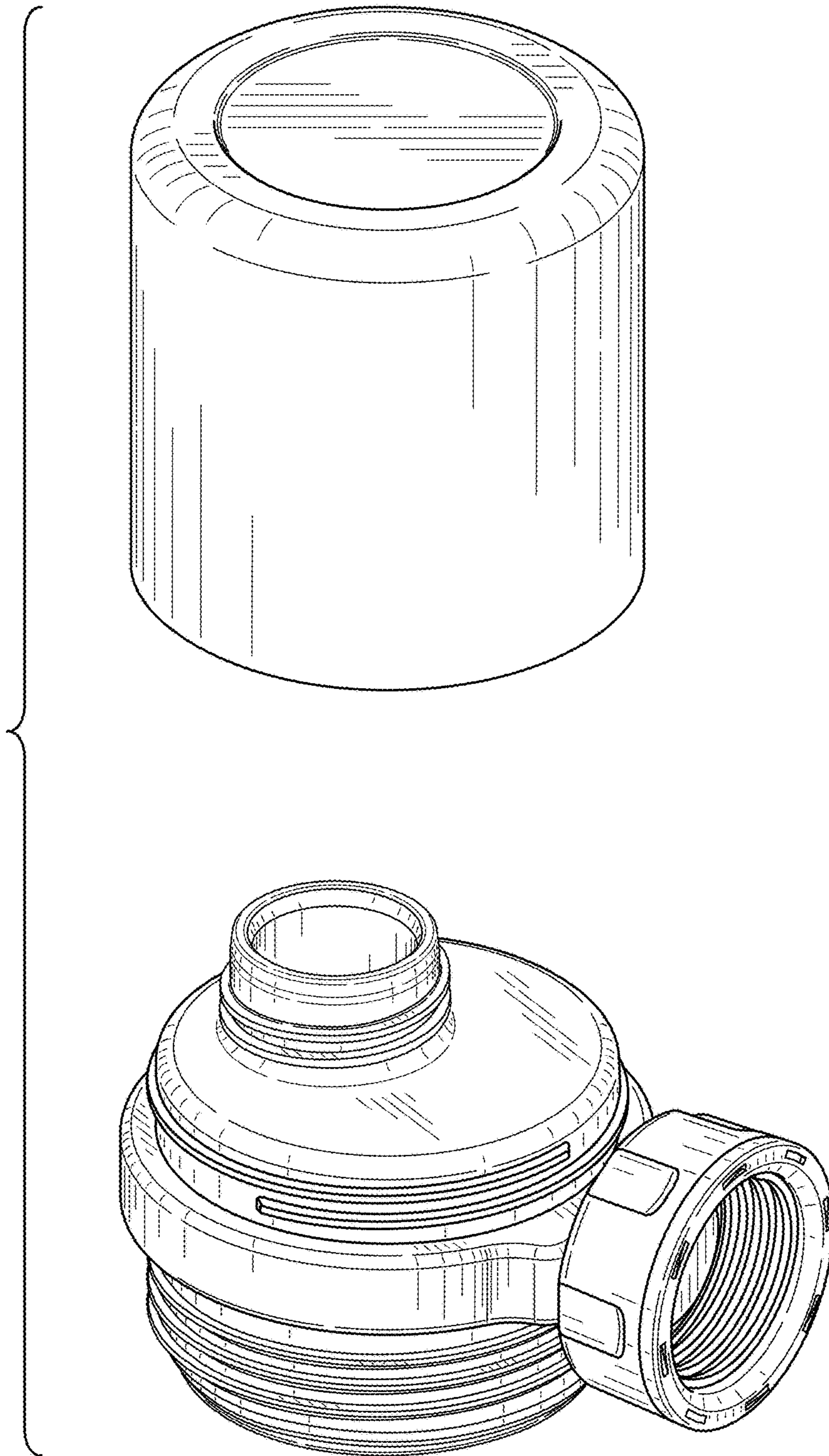


FIG. 10

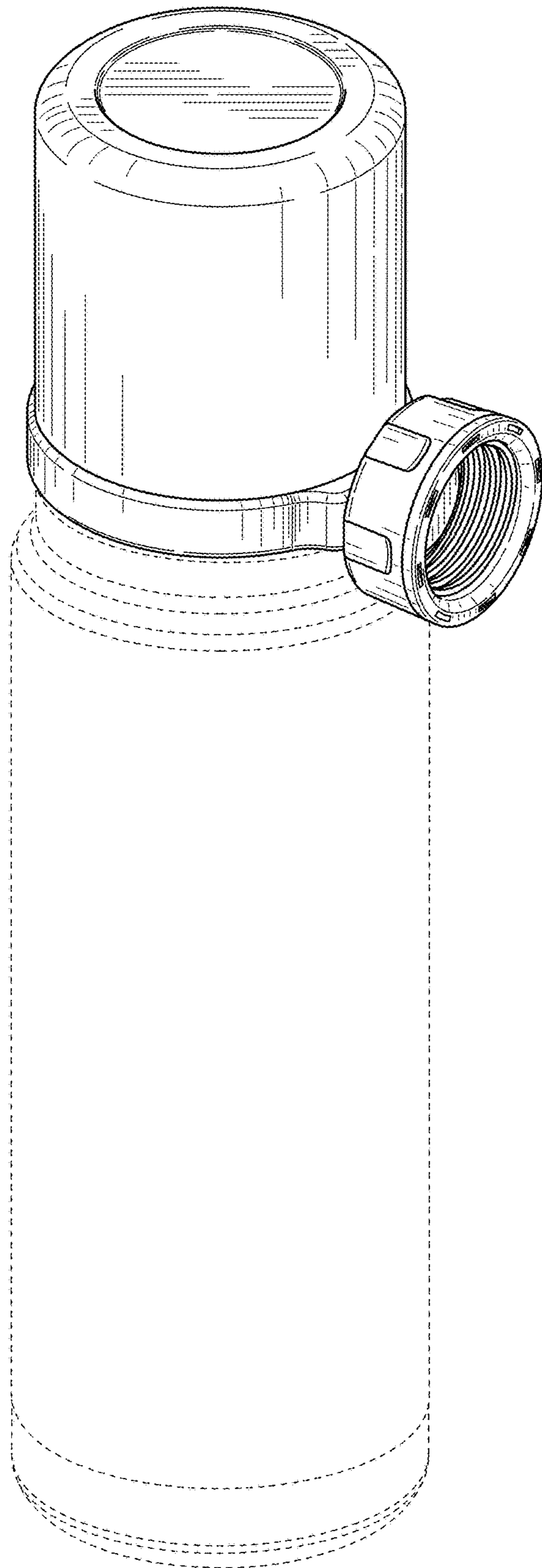


FIG. 11

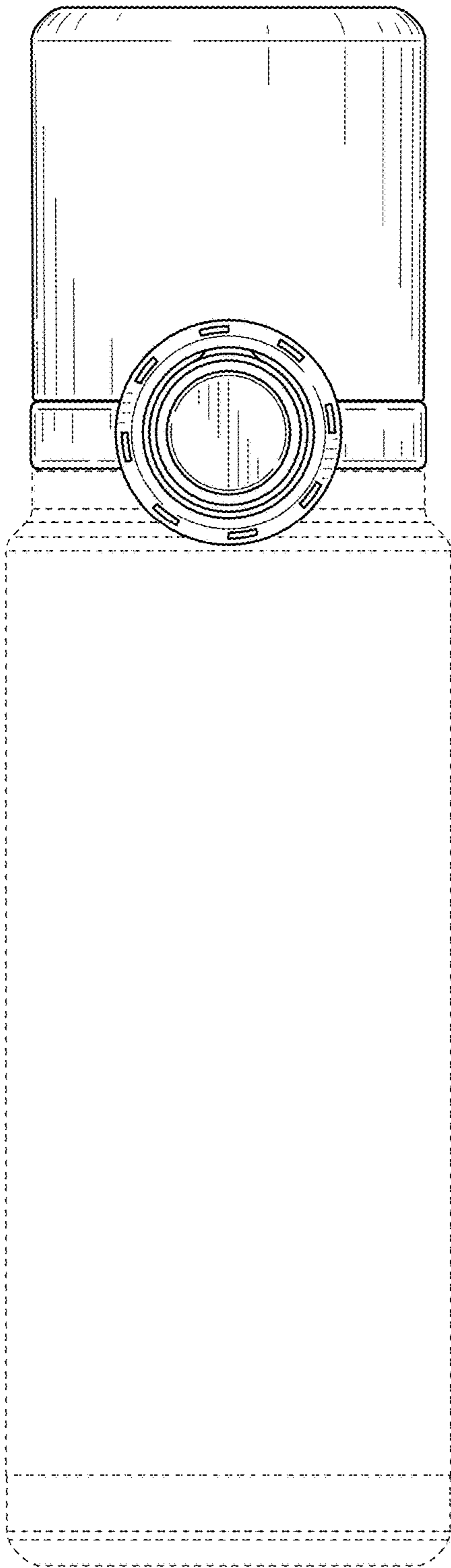


FIG. 12

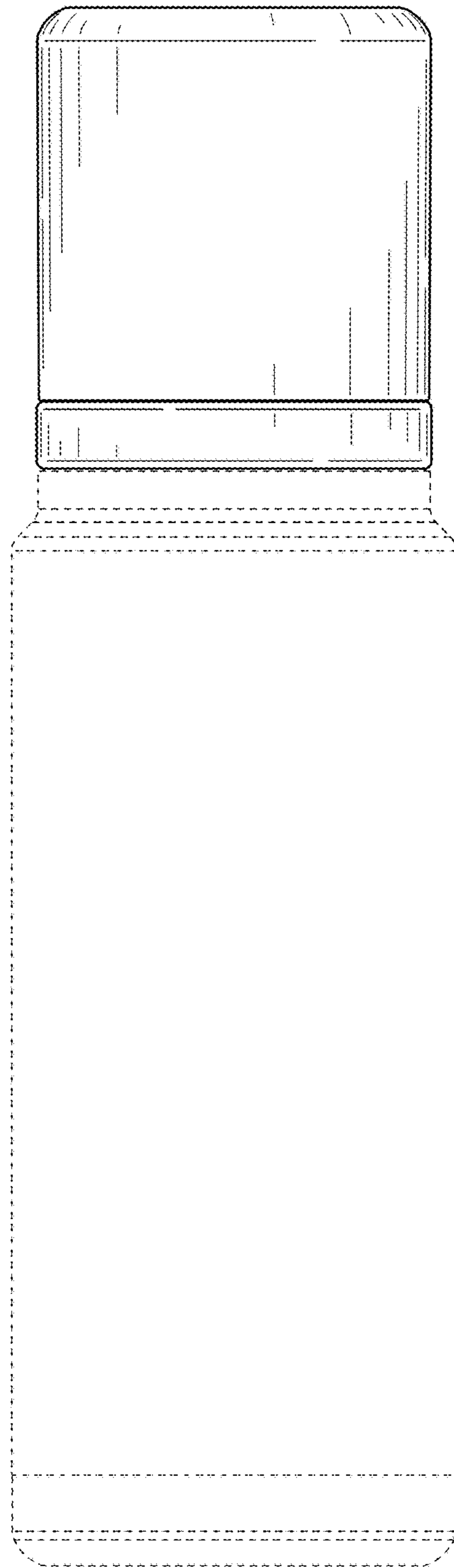


FIG. 13

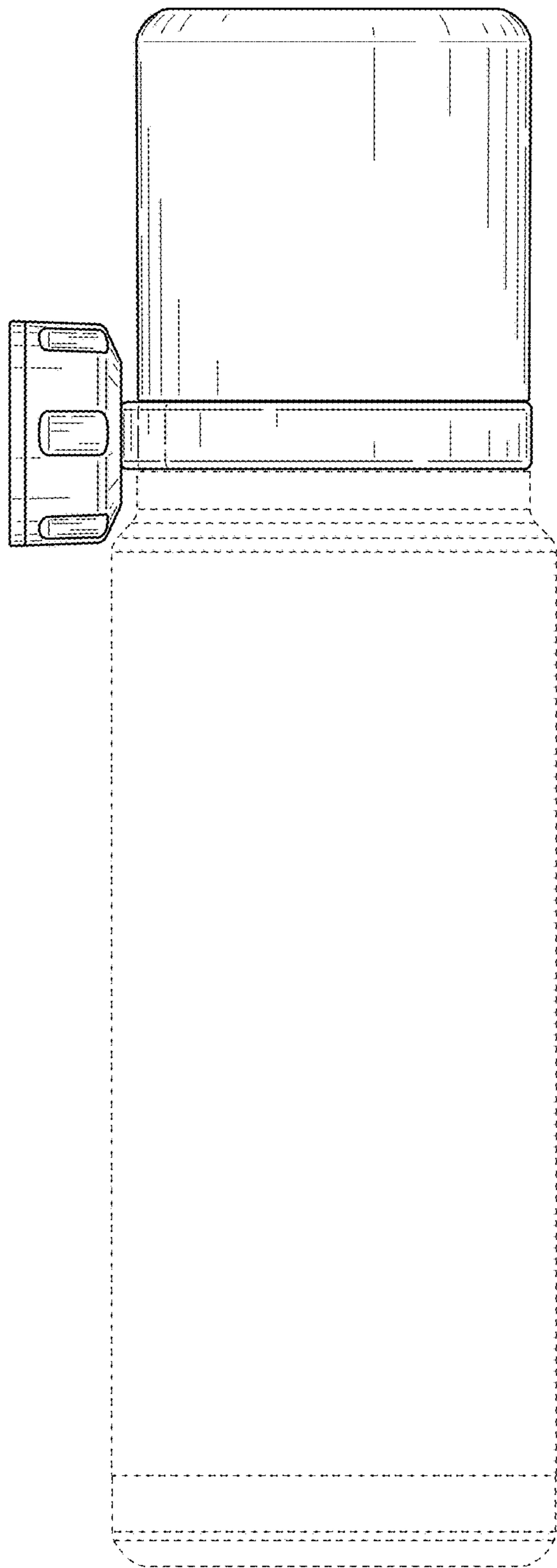


FIG. 14

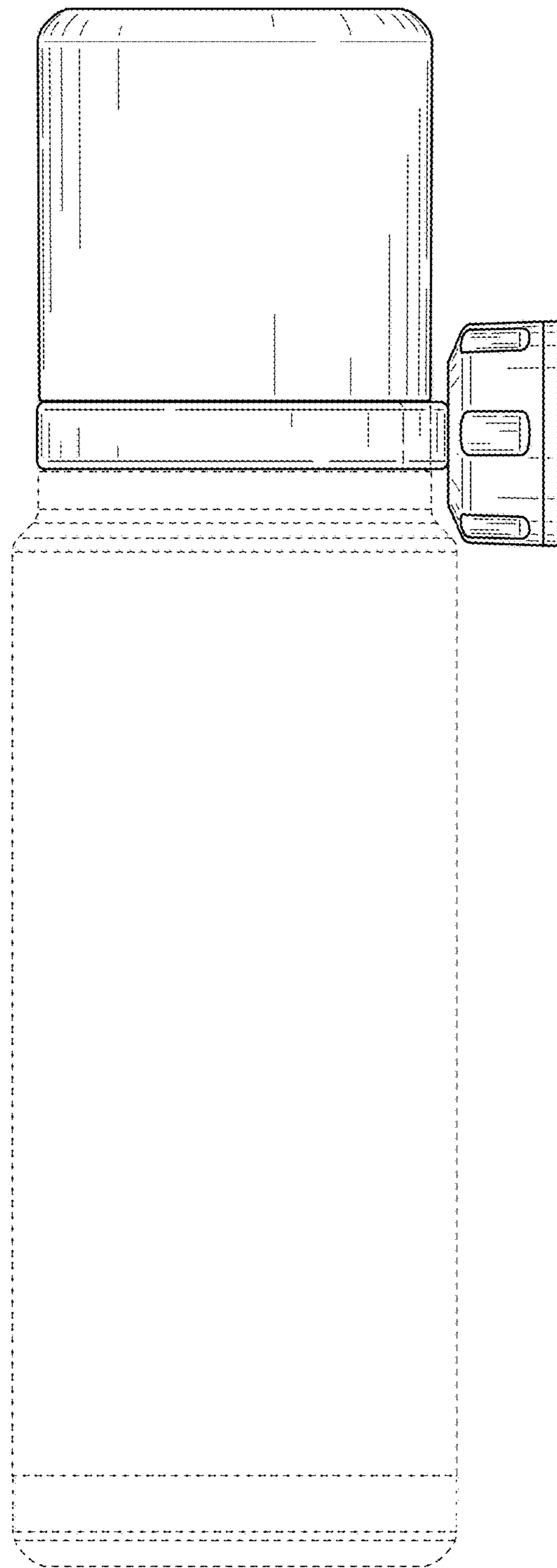


FIG. 15

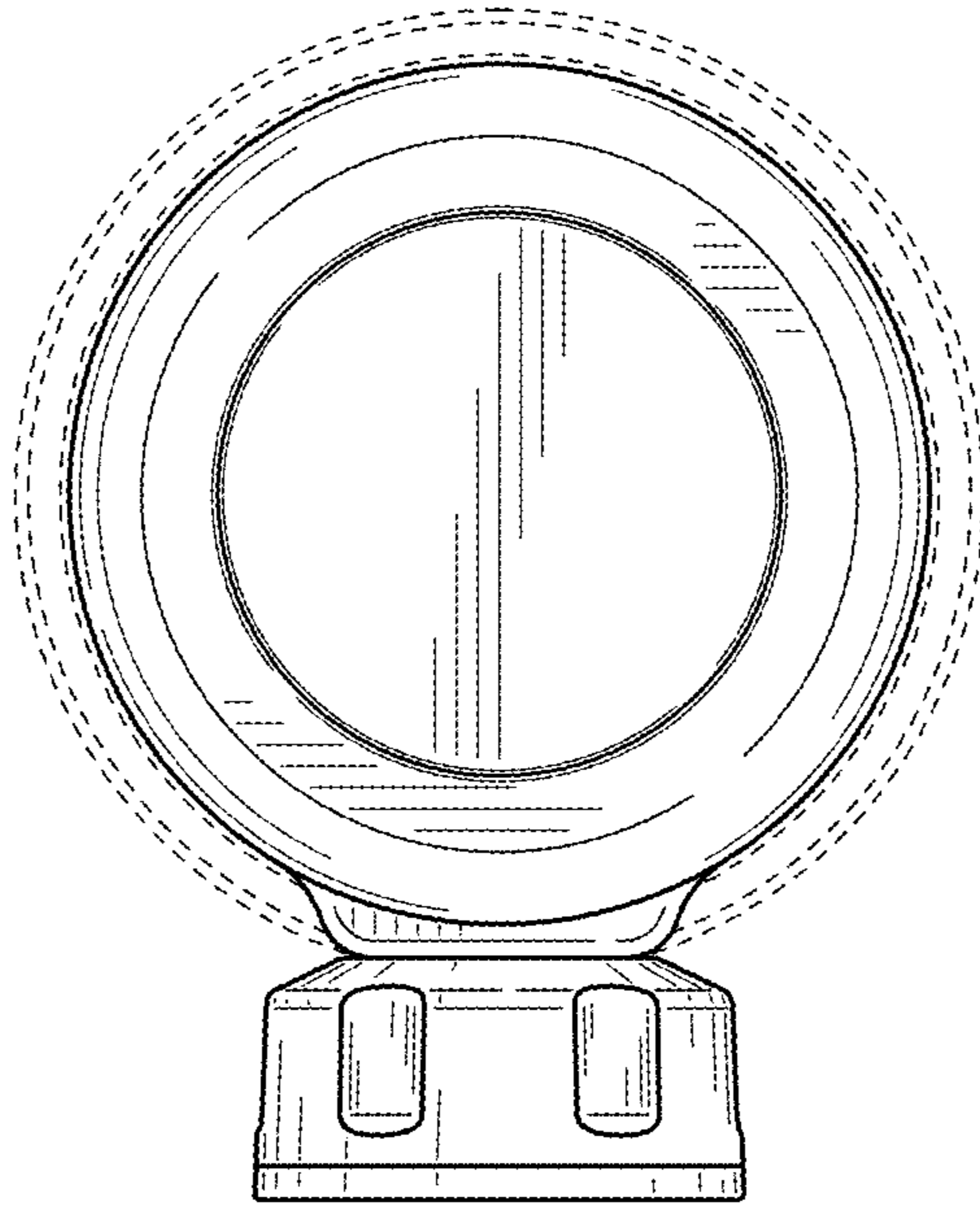


FIG. 16

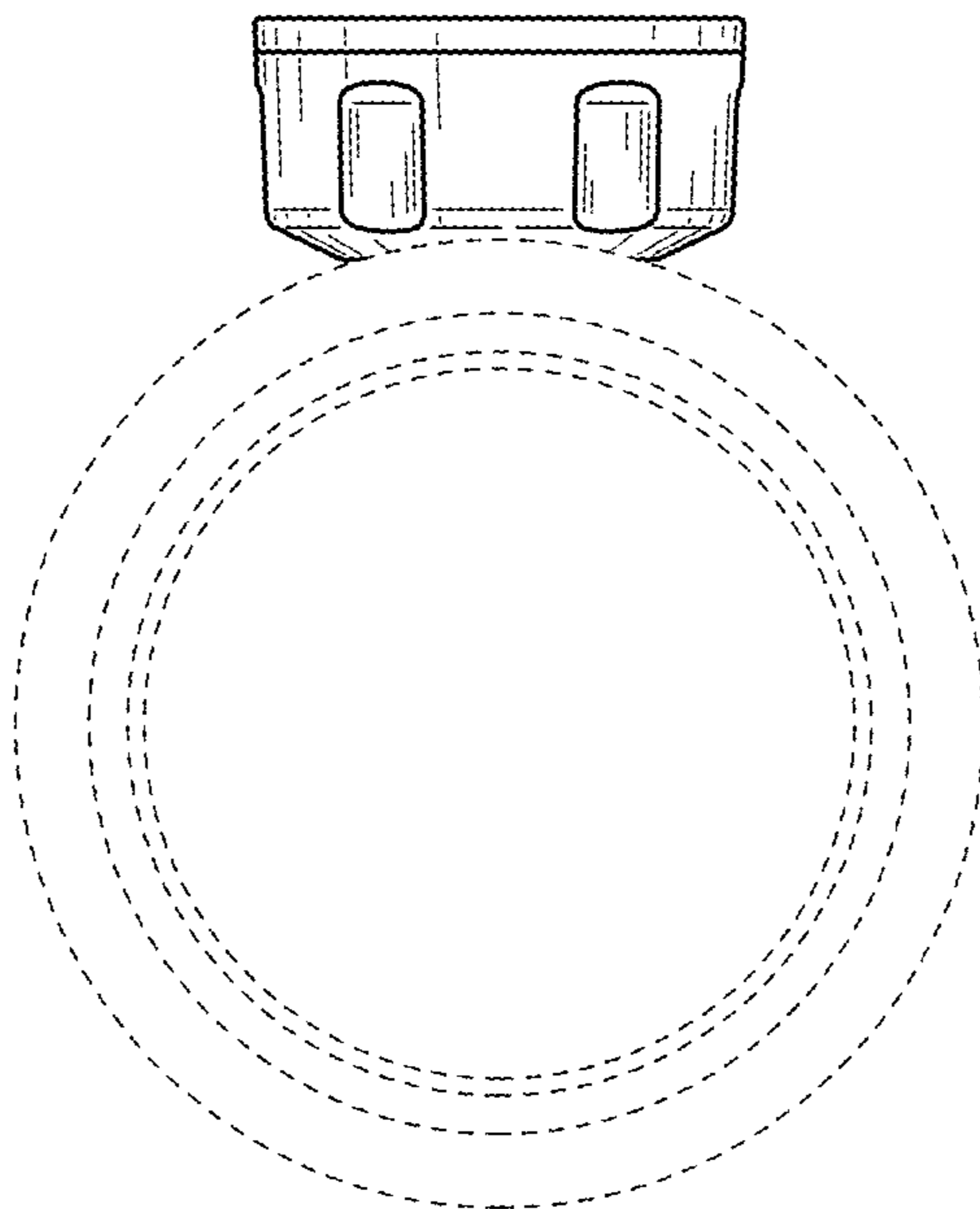


FIG. 17

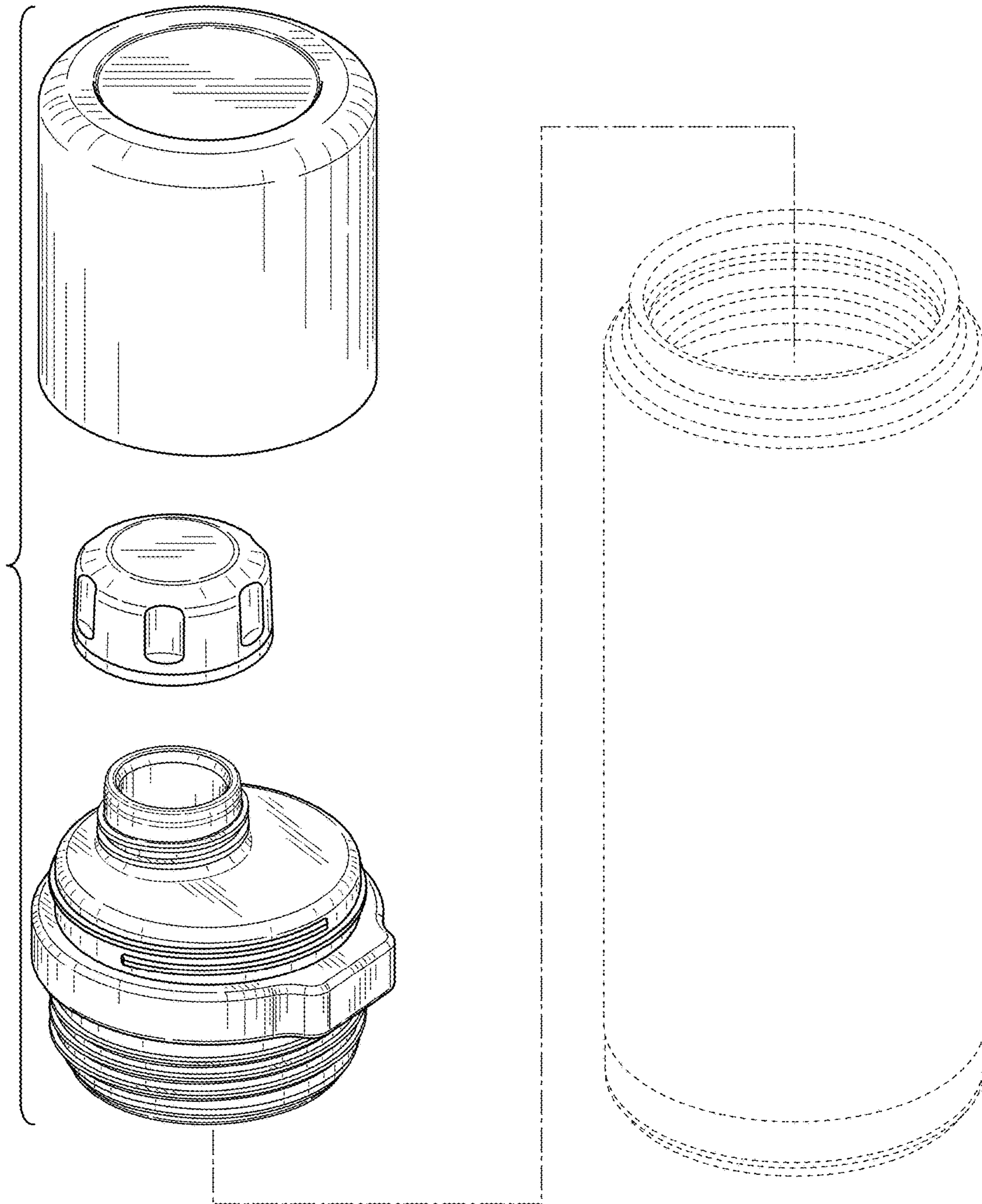


FIG. 18

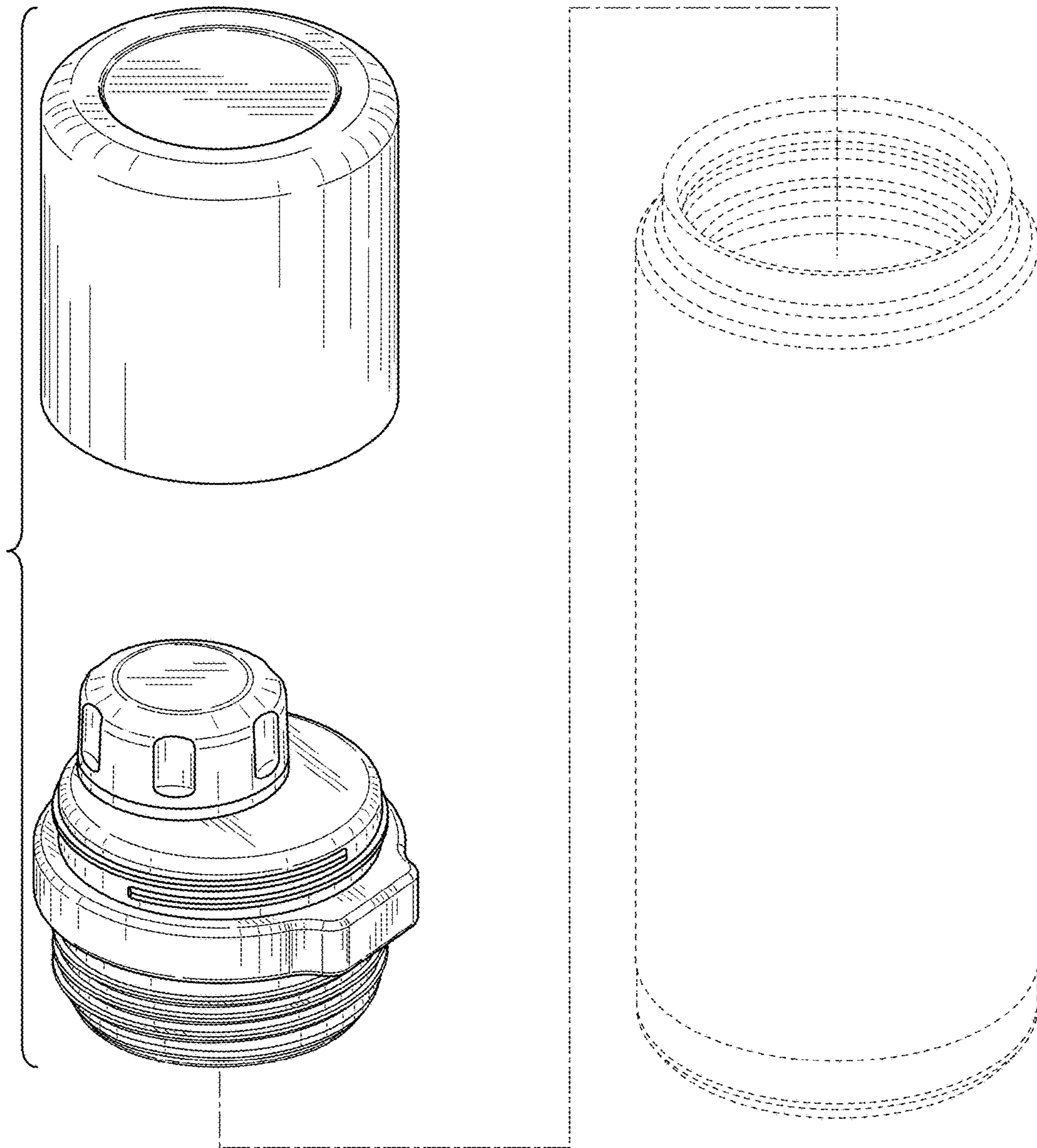


FIG. 19

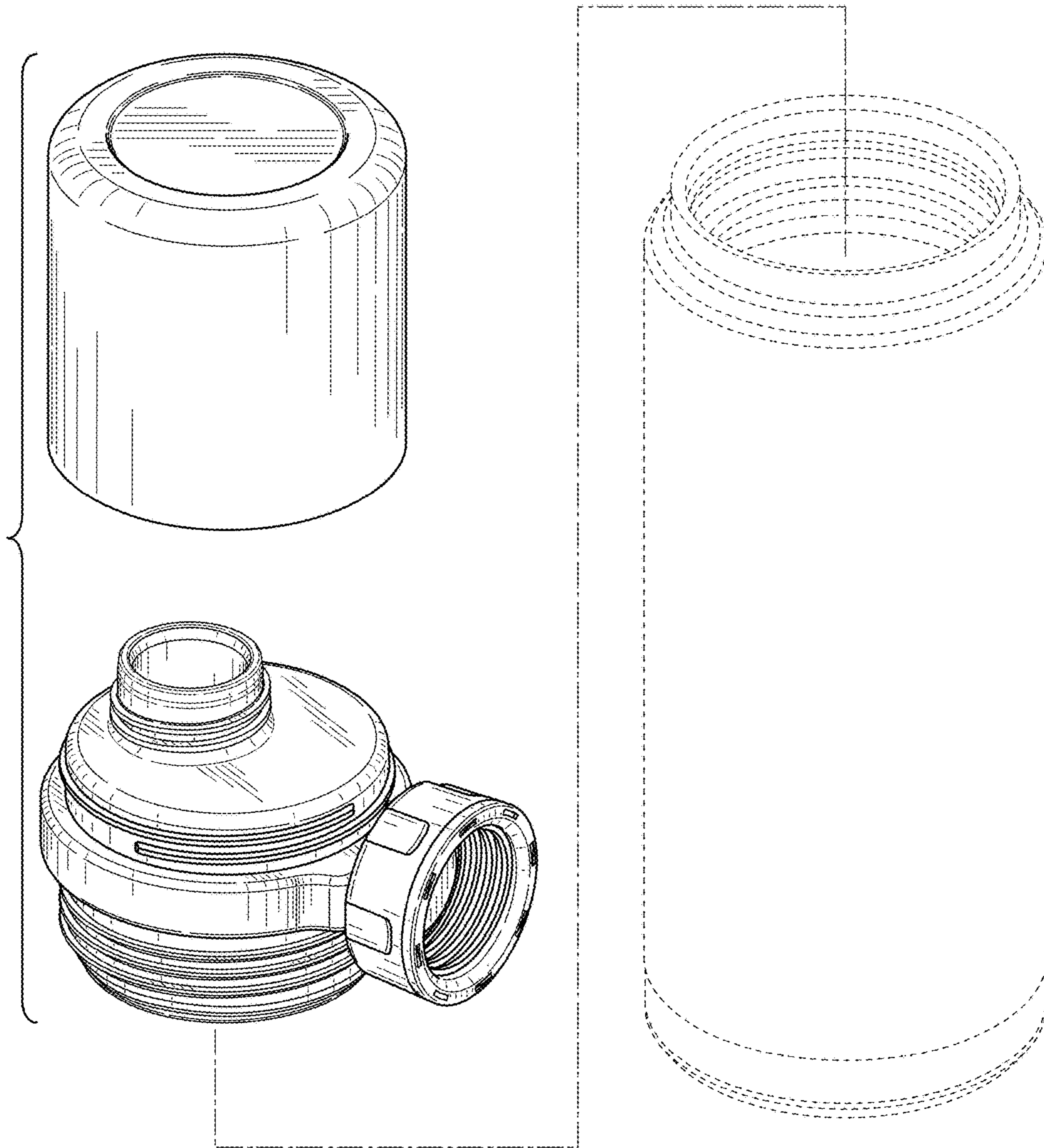


FIG. 20