



US00D835936S

(12) **United States Design Patent** (10) **Patent No.:** **US D835,936 S**
Smelser (45) **Date of Patent:** **** Dec. 18, 2018**

(54) **CONTAINER LINER**

(71) Applicant: **Dabenway Industries, LLC,**
Mechanicsburg, PA (US)

(72) Inventor: **David W. Smelser,** Mechanicsburg, PA
(US)

(**) Term: **15 Years**

(21) Appl. No.: **29/591,216**

(22) Filed: **Jan. 18, 2017**

(51) **LOC (11) Cl.** **07-99**

(52) **U.S. Cl.**
USPC **D7/387**

(58) **Field of Classification Search**
USPC D7/391, 412, 413, 387; D3/273, 276,
D3/280, 282, 283, 284; D9/516, 558
CPC .. A47J 36/06; A47J 47/14; B65D 1/22; B65D
1/34; B65D 1/40; B65D 1/165; B65D
15/02; B65D 1/00; B65D 1/26
See application file for complete search history.

(56) **References Cited**

U.S. PATENT DOCUMENTS

730,082 A	6/1903	Bates	
1,574,259 A	2/1926	Sarff	
1,600,741 A	9/1926	Sherman	
2,083,741 A	6/1937	Pearson	
2,174,425 A	9/1939	Schlumbohm	
2,709,904 A	6/1955	Boughton	
D184,875 S *	4/1959	Johnson	D7/543
D185,063 S *	5/1959	Clark	D7/318
D190,878 S *	7/1961	Bradford	D7/316
3,076,579 A	2/1963	Kuhlman	
3,352,449 A	11/1967	Jackson	
3,698,594 A	10/1972	Boehlert	
3,934,748 A	1/1976	Racz	
D288,515 S *	3/1987	Rimmeir	D7/584
4,828,134 A	5/1989	Ferlanti	
D313,148 S *	12/1990	de Winter	D7/318
5,709,168 A	1/1998	Walker	

6,401,955 B1	6/2002	Yang	
D477,186 S *	7/2003	de Groote	D7/543
D500,229 S *	12/2004	Bravard	D7/543
6,892,896 B2	5/2005	Barniak	
D526,525 S *	8/2006	Wasserman	D7/316
7,112,764 B2	9/2006	Garcia	
RE39,391 E	11/2006	Jerstroem et al.	
D539,094 S *	3/2007	Wasserman	D7/584
D543,787 S *	6/2007	Wasserman	D7/565
D548,529 S *	8/2007	Wasserman	D7/545
D565,356 S *	4/2008	Mellen	D7/376
8,701,914 B1	4/2014	Buck	

(Continued)

OTHER PUBLICATIONS

Sieve Reusable Stainless Steel Mesh Coffee Filter, [online], [site visited Jan. 30, 2017]. Available from Internet, URL:https://www.behindthebar.com/sieve-reusable-stainless-steel-mesh-coffee-filter.*

Primary Examiner — Caron D Veynar

Assistant Examiner — Katrina N Gonzalez

(74) *Attorney, Agent, or Firm* — Hooker & Habib, P.C.

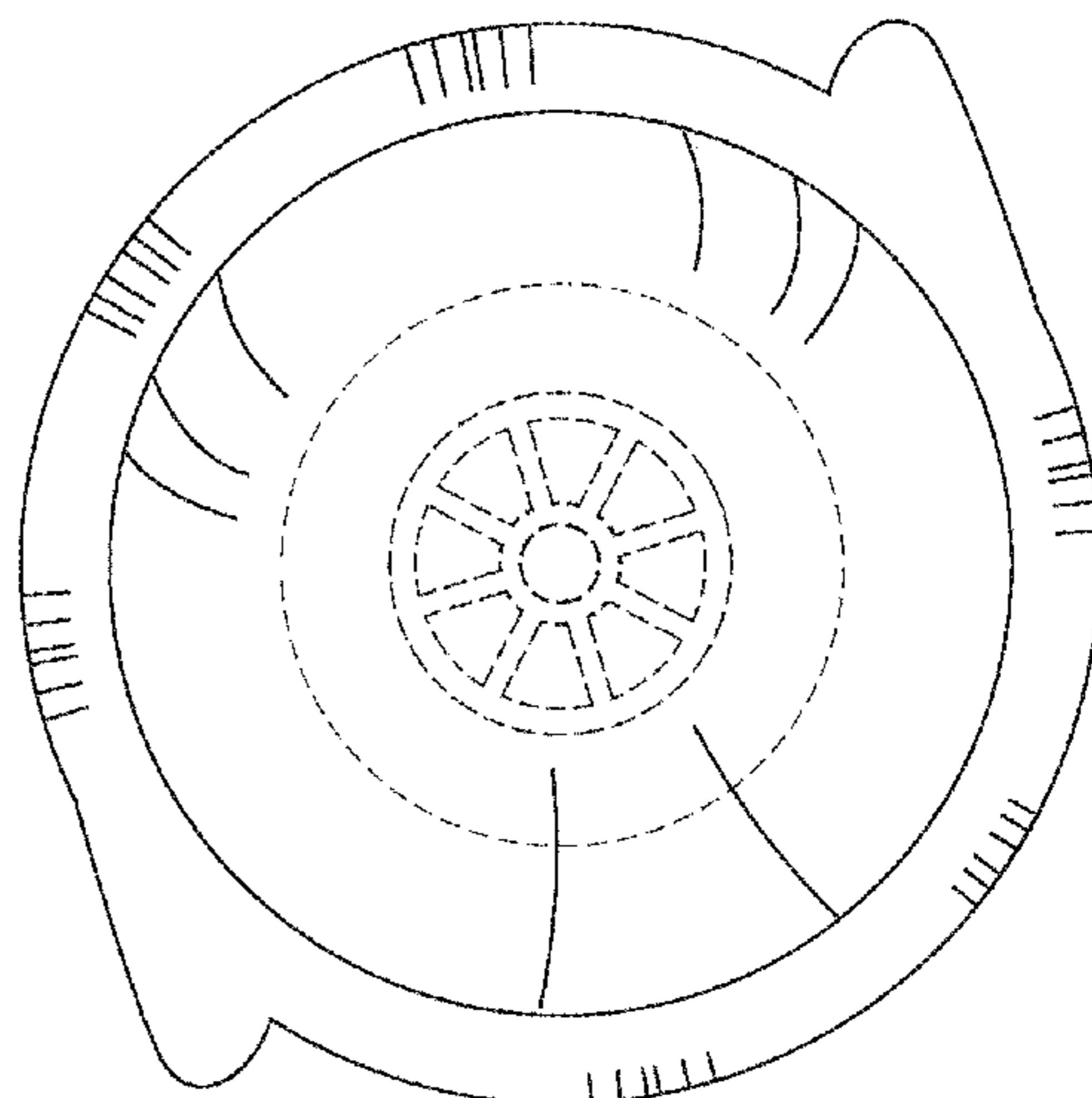
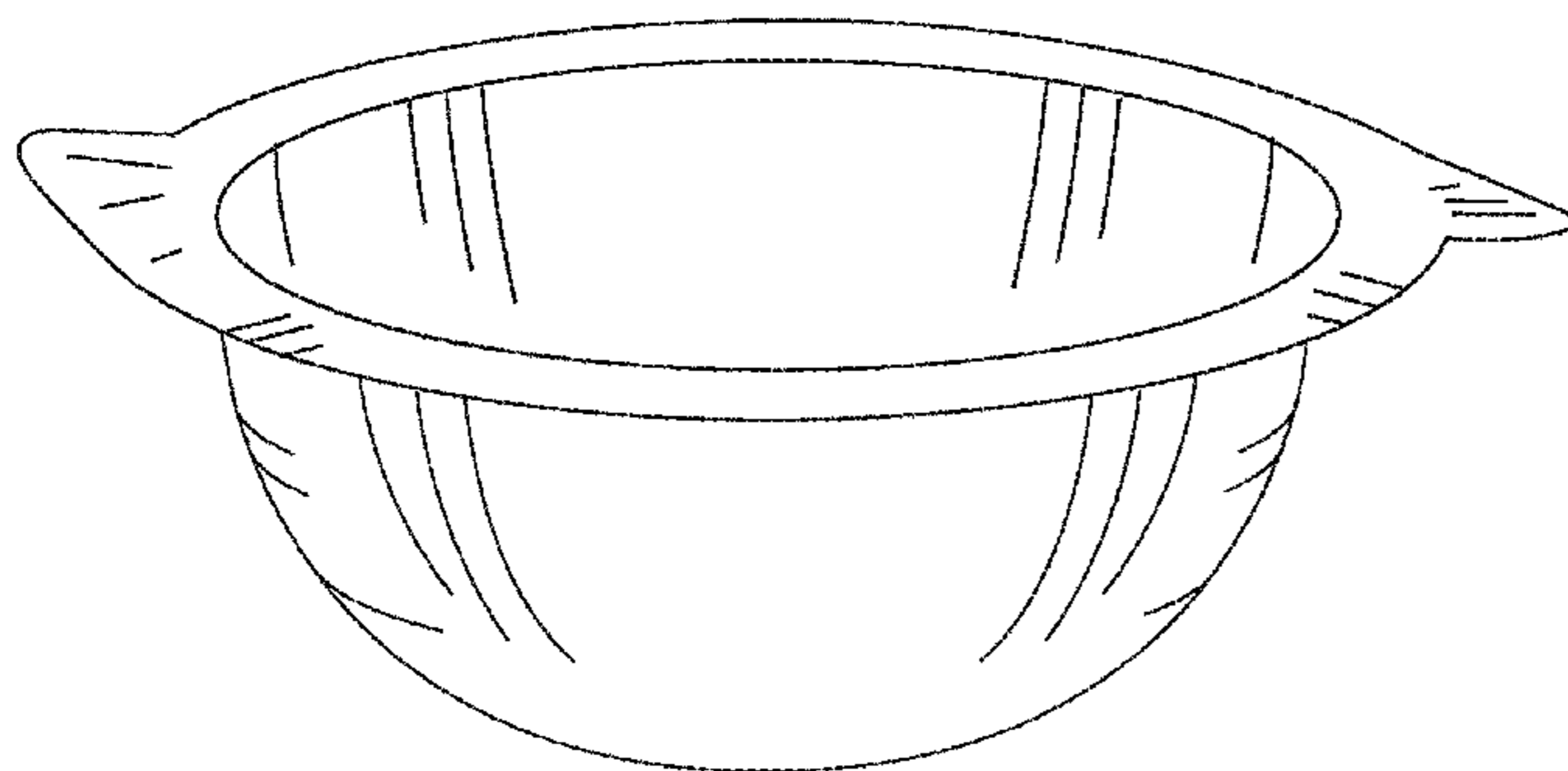
(57) **CLAIM**

The ornamental design for a container liner, as shown and described.

DESCRIPTION

FIG. 1 is a top front perspective view of the container liner; FIG. 2 is a top view thereof; FIG. 3 bottom view thereof; FIG. 4 is a front view of the container liner shown in FIG. 1, with the rear view being identical thereto; and, FIG. 5 is a right side view of the container liner shown in FIG. 1, with the left side view being identical thereto. The broken lines are shown for the purpose of illustrating parts of the container liner that form no part of the claimed design.

1 Claim, 3 Drawing Sheets



(56)

References Cited

U.S. PATENT DOCUMENTS

9,307,861	B2	4/2016	Blucher	
9,392,767	B2 *	7/2016	Talt	A01K 5/0121
D791,546	S *	7/2017	Howell	D7/584
2002/0079316	A1	6/2002	Greenfield et al.	
2004/0251255	A1	12/2004	Azzar	
2009/0283531	A1	11/2009	Murdock	
2010/0200012	A1	8/2010	Sloan	
2012/0170404	A1	7/2012	Drees et al.	
2013/0161337	A1	6/2013	Skopis	

* cited by examiner

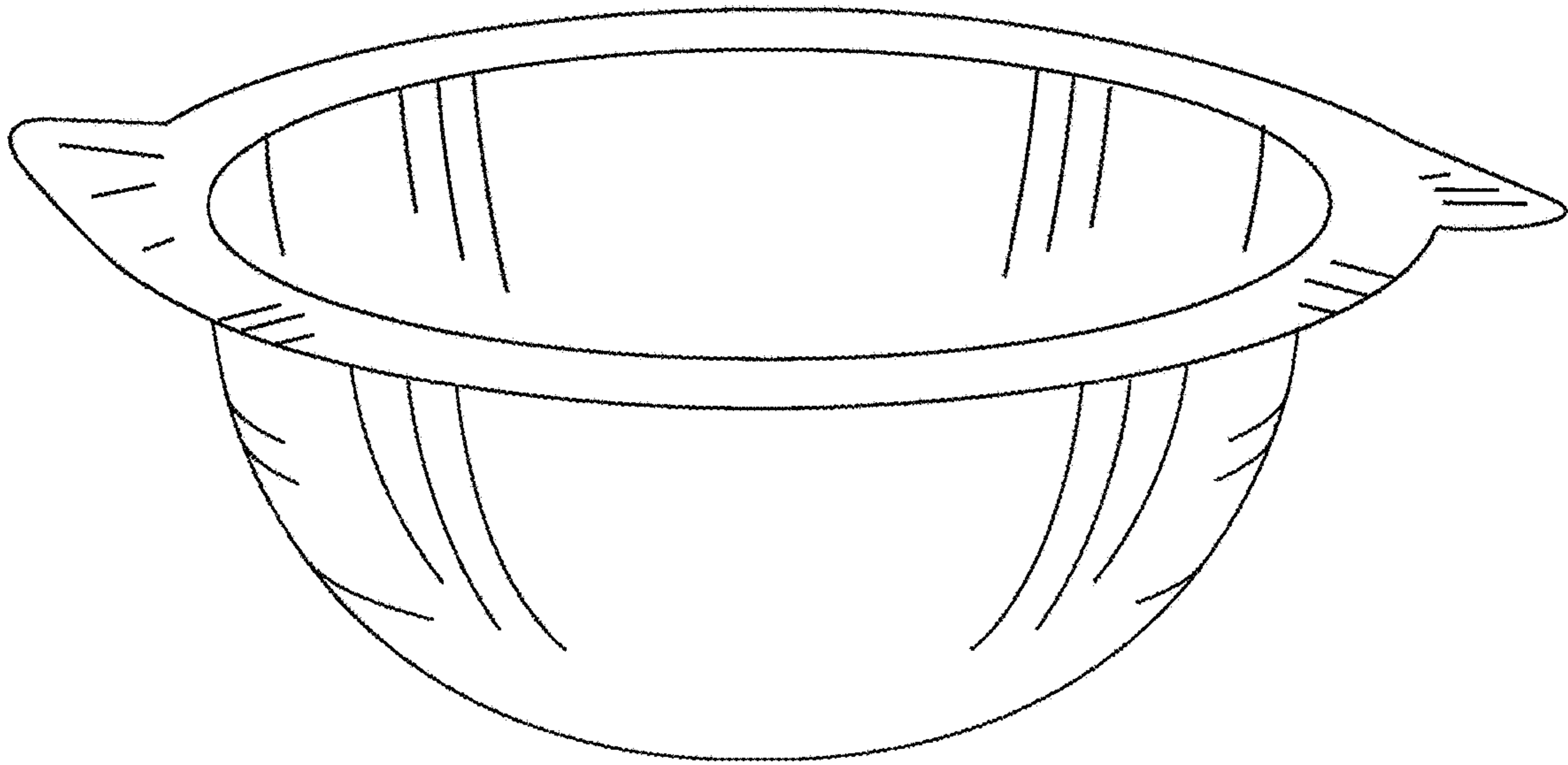


Fig. 1

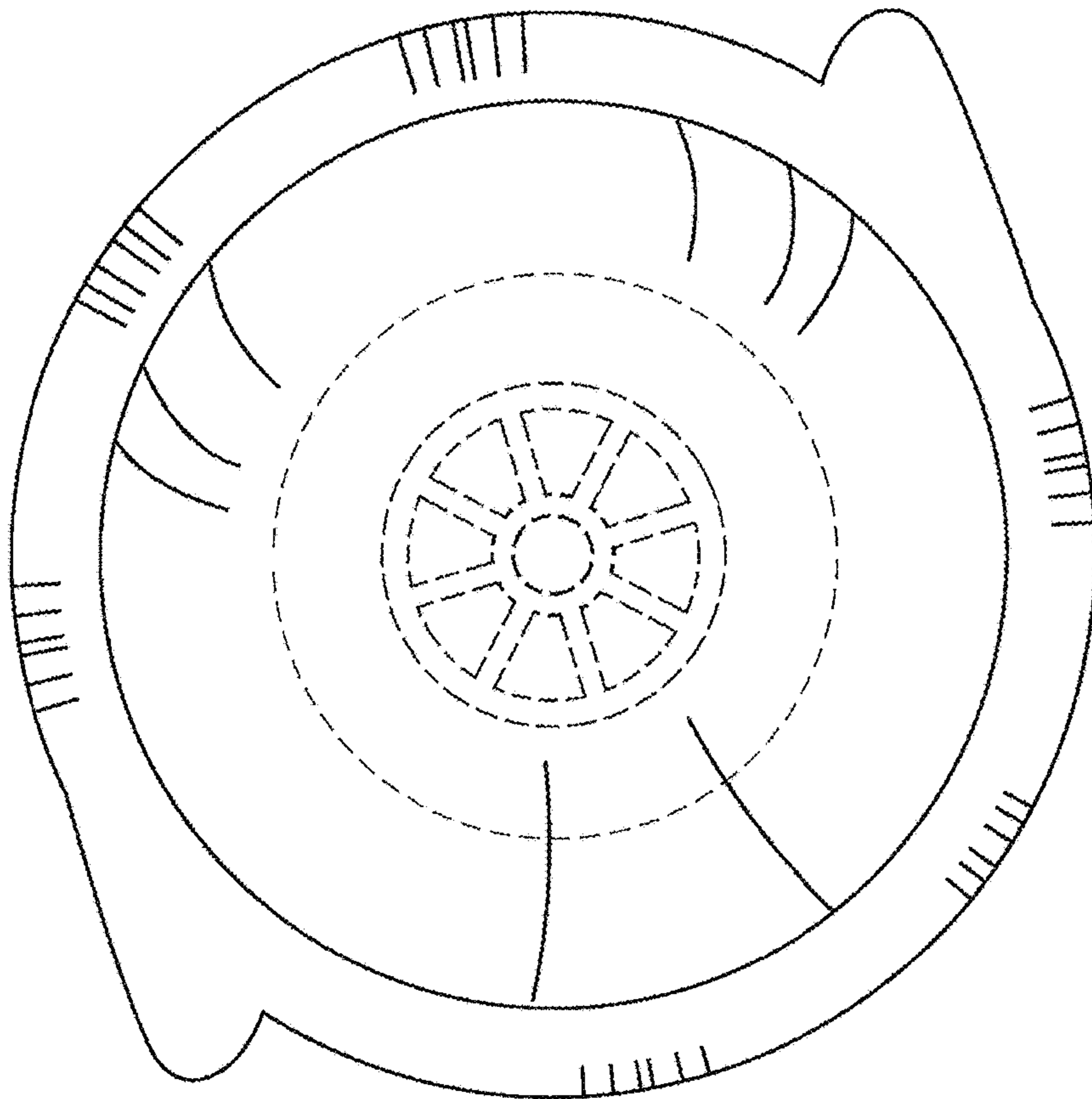


Fig. 2

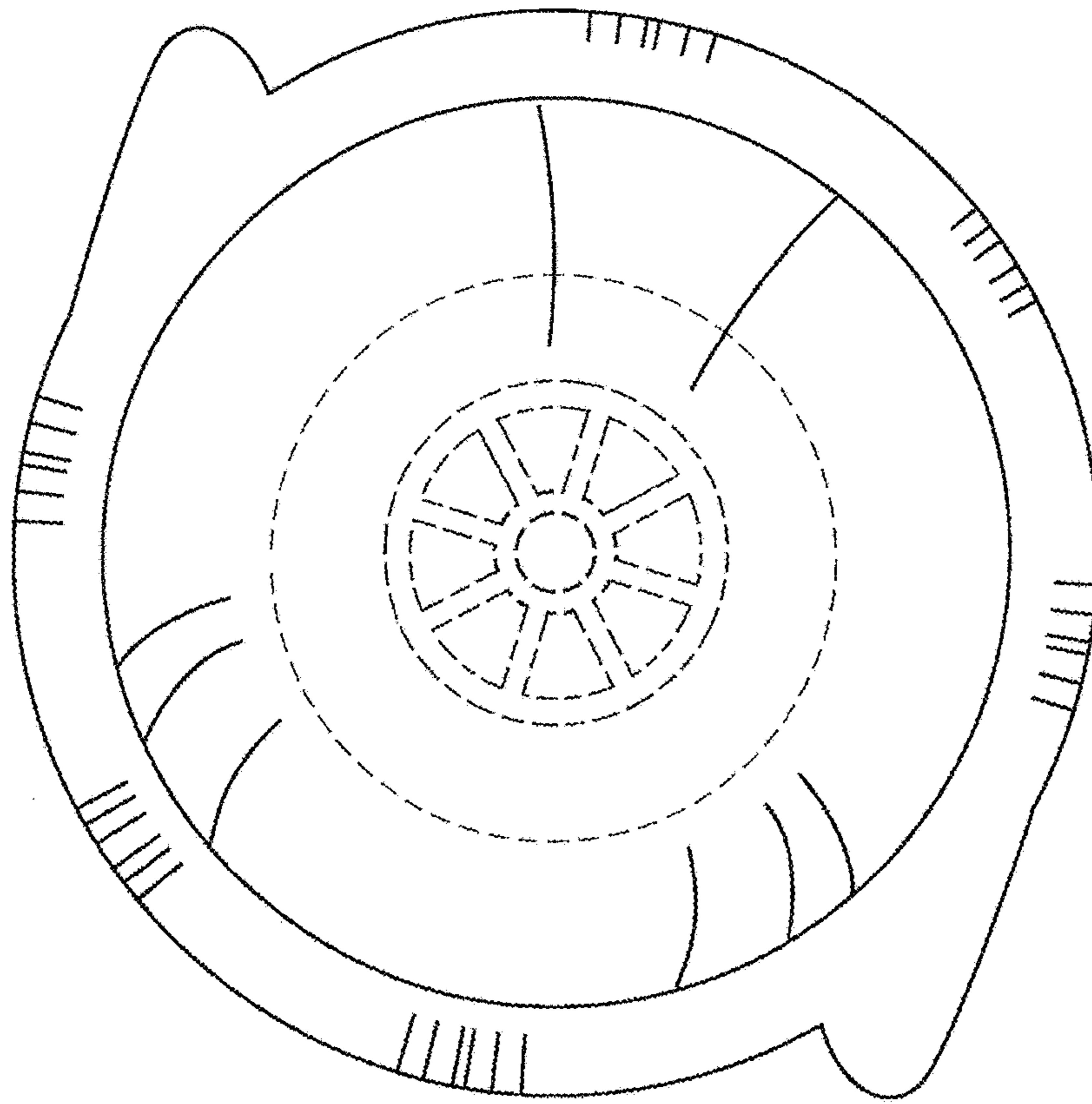


Fig. 3

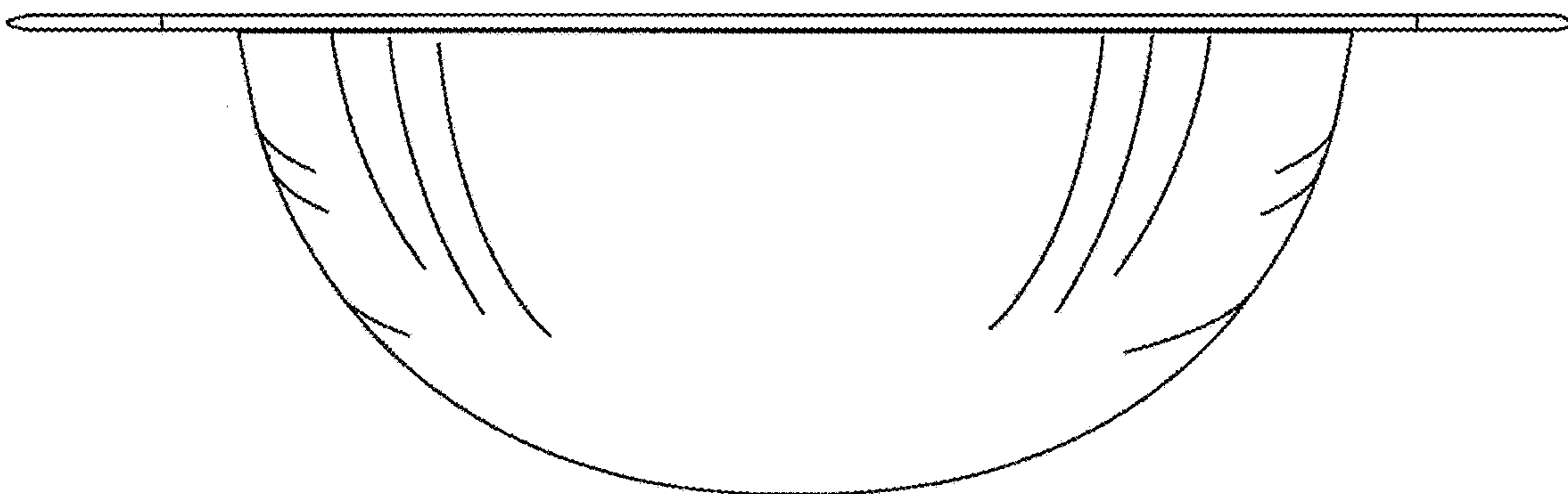


Fig. 4

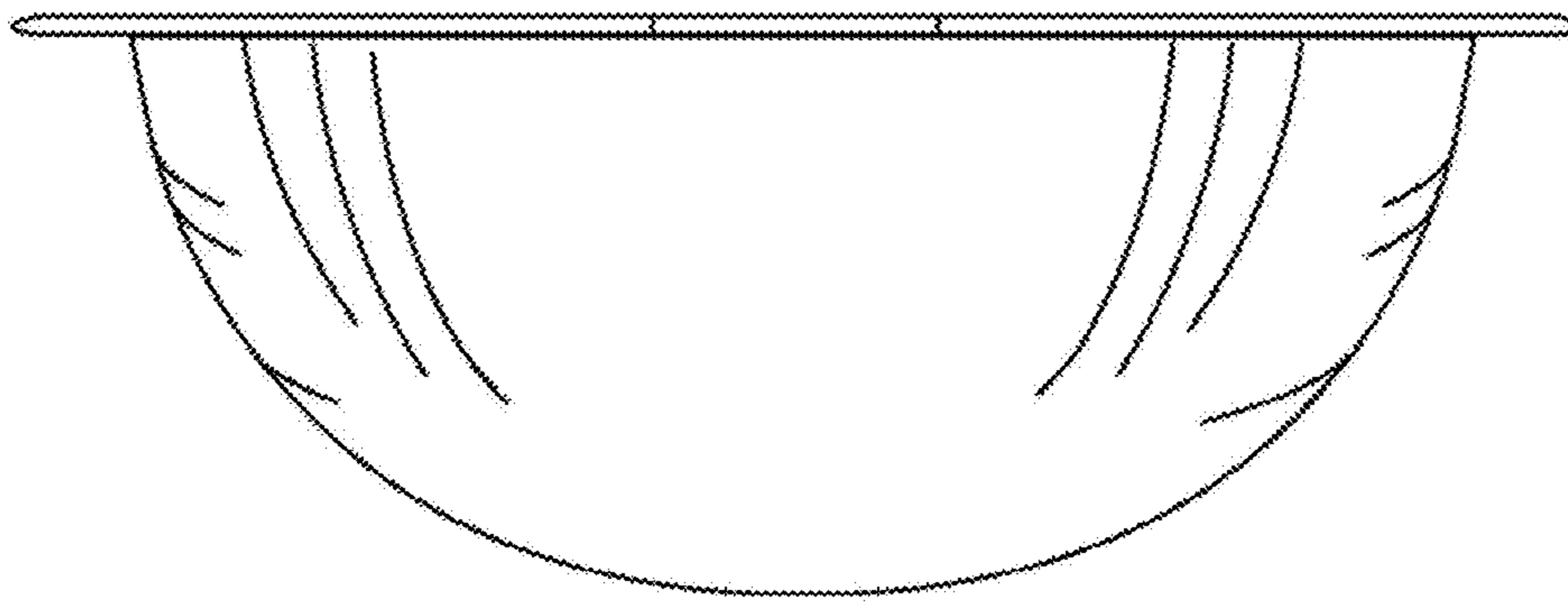


Fig. 5