



US00D835933S

(12) **United States Design Patent**
Gleeson

(10) **Patent No.:** **US D835,933 S**

(45) **Date of Patent:** **** Dec. 18, 2018**

(54) **ELECTRICAL STEAMER**

(71) Applicant: **Breville Pty Limited**, Alexandria, NSW (AU)

(72) Inventor: **Paris Gleeson**, Banksia (AU)

(73) Assignee: **Breville Pty Limited**, Alexandria (AU)

(**) Term: **15 Years**

(21) Appl. No.: **29/581,096**

(22) Filed: **Oct. 16, 2016**

(30) **Foreign Application Priority Data**

Apr. 18, 2016 (AU) 201612070

(51) **LOC (11) Cl.** **07-02**

(52) **U.S. Cl.**
USPC **D7/354**

(58) **Field of Classification Search**
USPC D7/323, 337, 339-341, 352, 354-358,
D7/360-367, 393, 402-403, 407-411,
D7/601, 605, 629, 701, 703; D9/761
CPC A47J 37/04; A47J 37/06; A47J 37/015;
A47J 37/067; A47J 37/0611; A47J
37/0629; A47J 37/0676; A47J 37/108;
F24C 7/06; F24C 7/083; F24C 15/02;
F24C 15/66; H05B 3/20; H05B 3/40;
A21B 1/06; A21B 1/50; A21B 1/52

See application file for complete search history.

(56) **References Cited**

U.S. PATENT DOCUMENTS

- 3,770,114 A * 11/1973 Jackson A45C 11/00
206/8
- D322,013 S * 12/1991 Daenen D7/502
- 5,189,945 A * 3/1993 Hennick A47J 37/067
126/25 R
- 5,189,947 A * 3/1993 Yim A47J 27/04
126/369
- D368,626 S * 4/1996 Hentz D7/360

- D467,129 S * 12/2002 Martin Perianes D7/605
- D469,320 S * 1/2003 Pettaweebuncha D7/629
- D469,651 S * 2/2003 Samaras D7/337
- D486,995 S * 2/2004 Liu D7/502
- D672,934 S * 12/2012 Salomon D99/1
- 2006/0289439 A1* 12/2006 Dreimann A47J 27/04
219/401
- 2009/0057165 A1* 3/2009 Park A45C 11/04
206/6

FOREIGN PATENT DOCUMENTS

JP 2000166762 A * 6/2006

OTHER PUBLICATIONS

The Steam Zone™, posted at Breville.com.au, posted on © 2018, site visited Jan. 30, 2018, <<https://breville.com.au/collections/precision-sous-vide-cookers/products/the-steam-zone?variant=35297005074>>.*

(Continued)

Primary Examiner — Barbara Fox
Assistant Examiner — Messin L Smith
(74) *Attorney, Agent, or Firm* — Moser Taboada

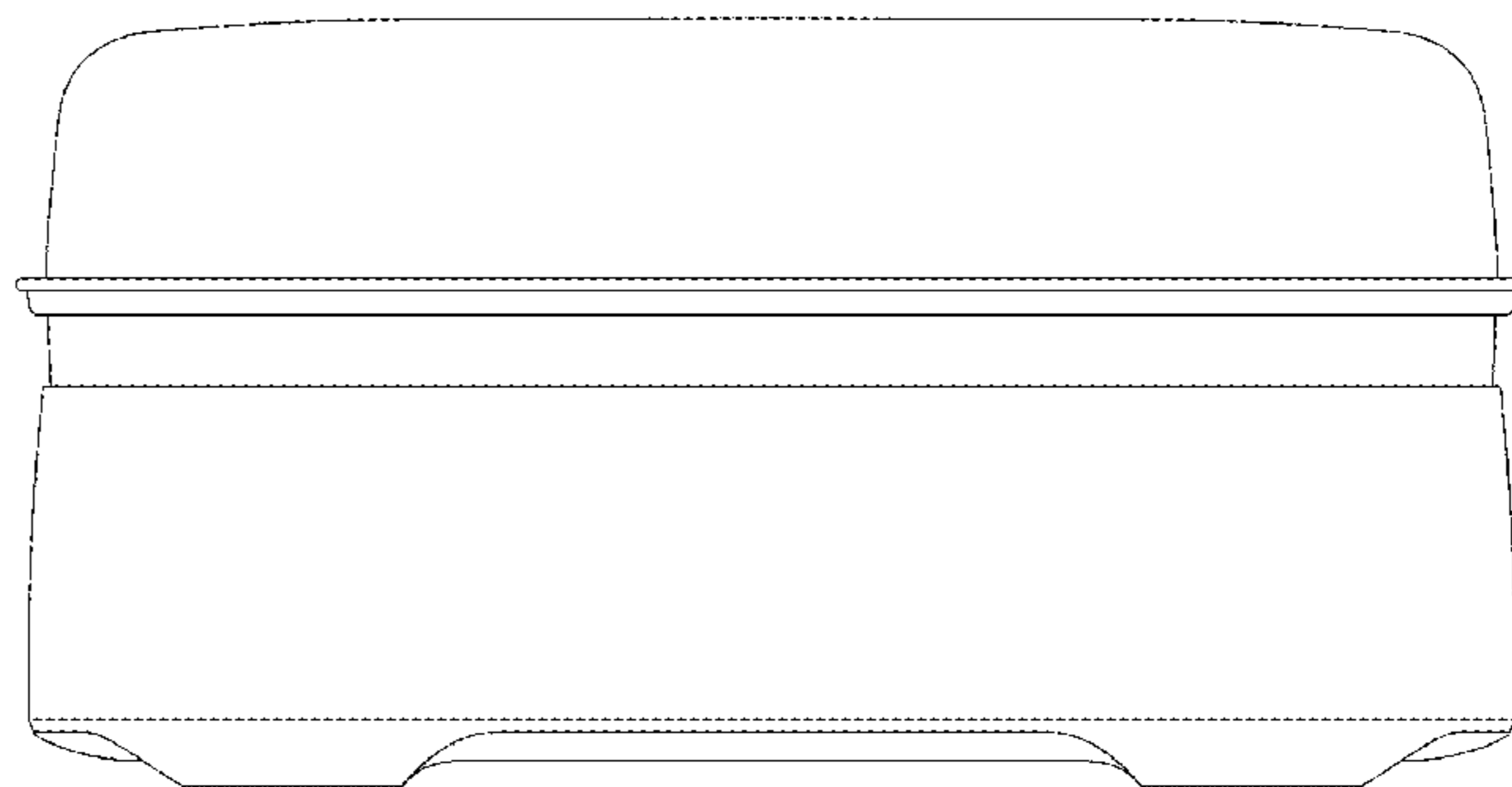
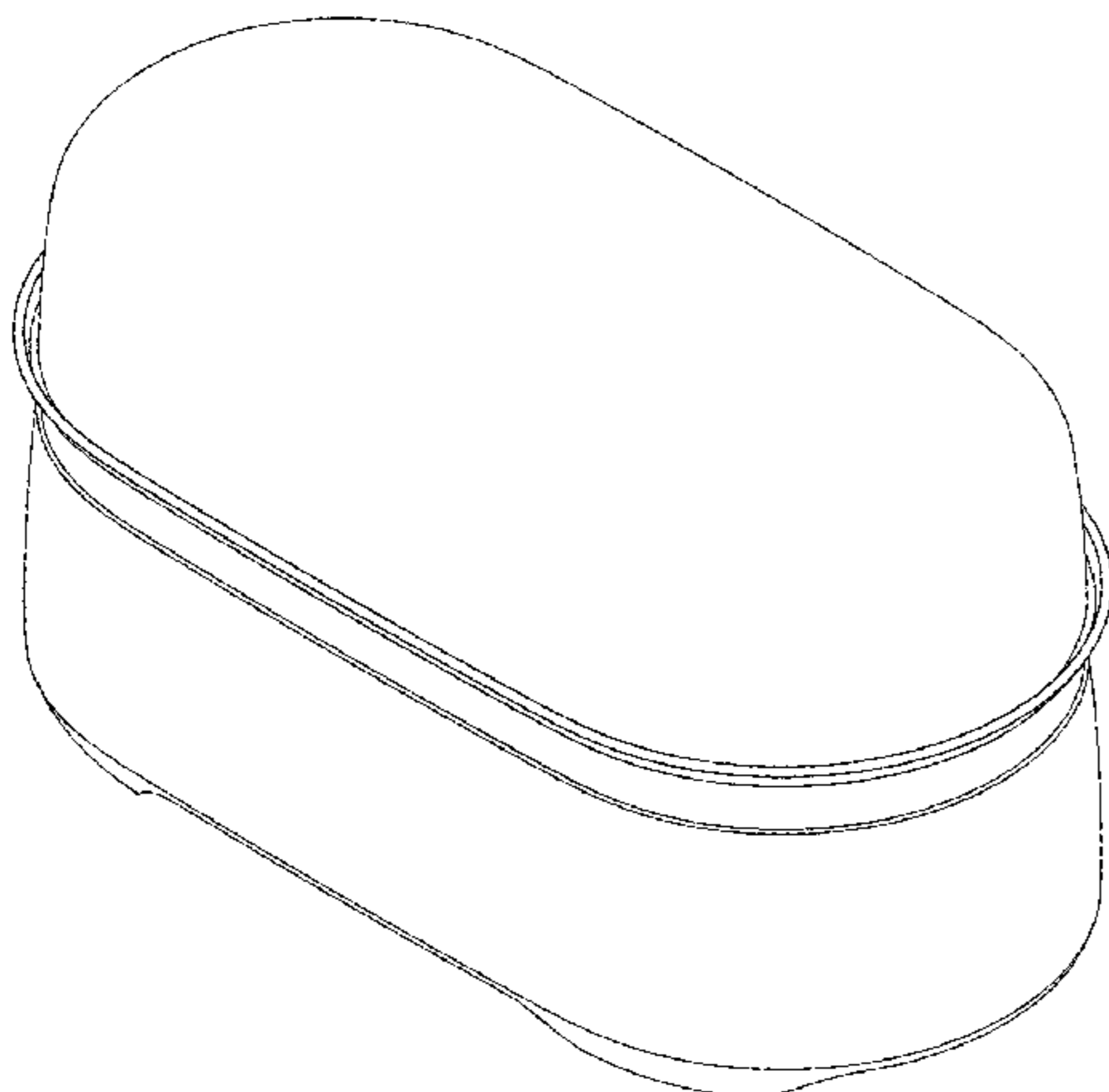
(57) **CLAIM**

The ornamental design for an electrical steamer, as shown and described.

DESCRIPTION

FIG. 1 is a front perspective view of an electrical steamer showing the new design;
FIG. 2 is a top view thereof;
FIG. 3 is a left side view thereof;
FIG. 4 is a front view thereof;
FIG. 5 is a right side view thereof;
FIG. 6 is a back view thereof; and,
FIG. 7 is a bottom view thereof.

1 Claim, 7 Drawing Sheets



(56)

References Cited

OTHER PUBLICATIONS

Breville The Steam Zone 2200W Food Steamer, posted at Harveynorman.com, posted on © 2018, site visited Jan. 30, 2018, <<https://www.harveynorman.com.au/breville-the-steam-zone-2200w-food-steamer.html>>.*

Breville BFS800BSS Food Steamer, Silver, posted at Amazon.com, posted on Apr. 5, 2017, site visited Jan. 30, 2018, <<https://www.amazon.com/Breville-BFS800BSS-Food-Steamer-Silver/dp/B01MZF7ZFZ>>.*

* cited by examiner

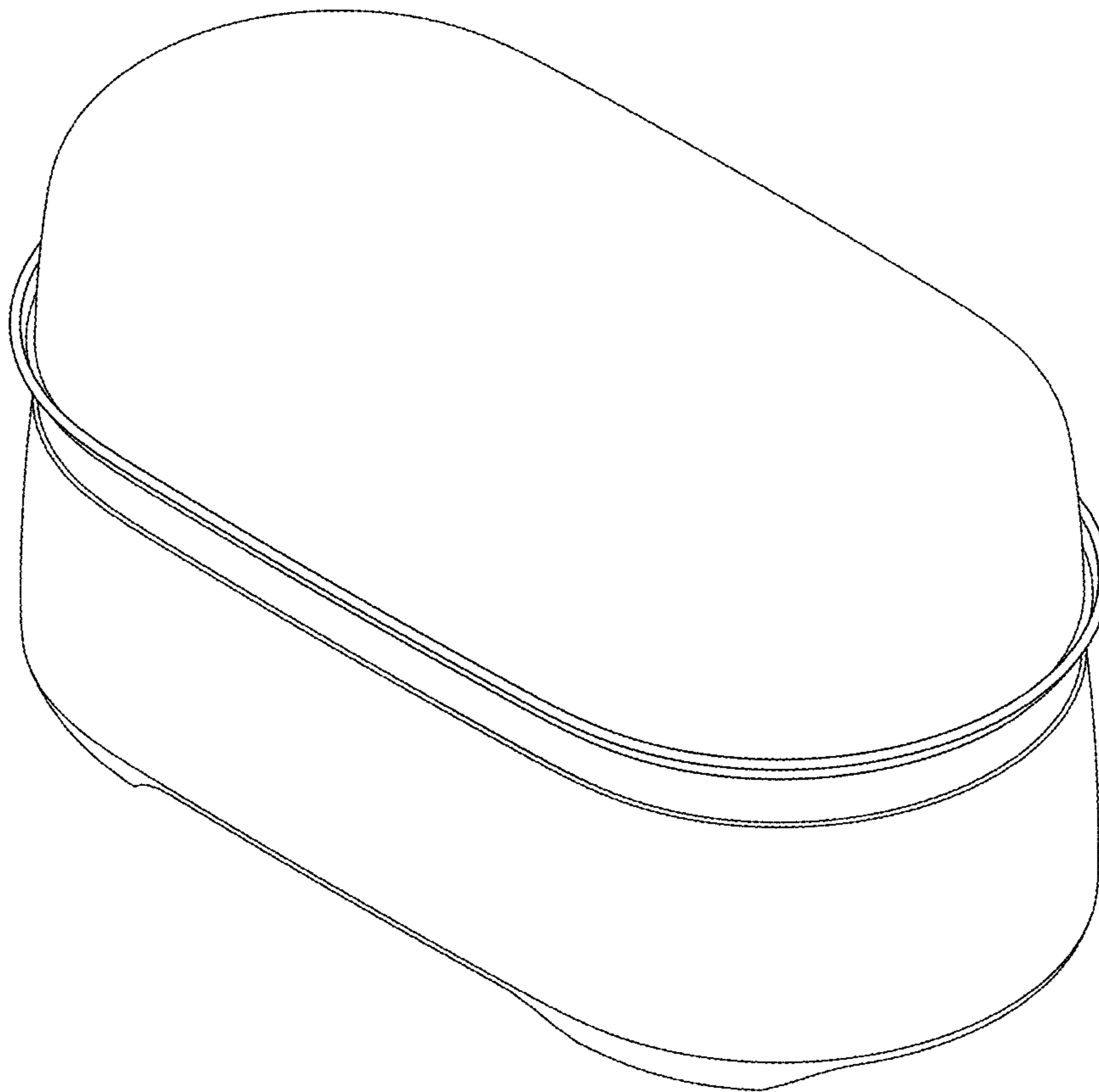


Figure 1

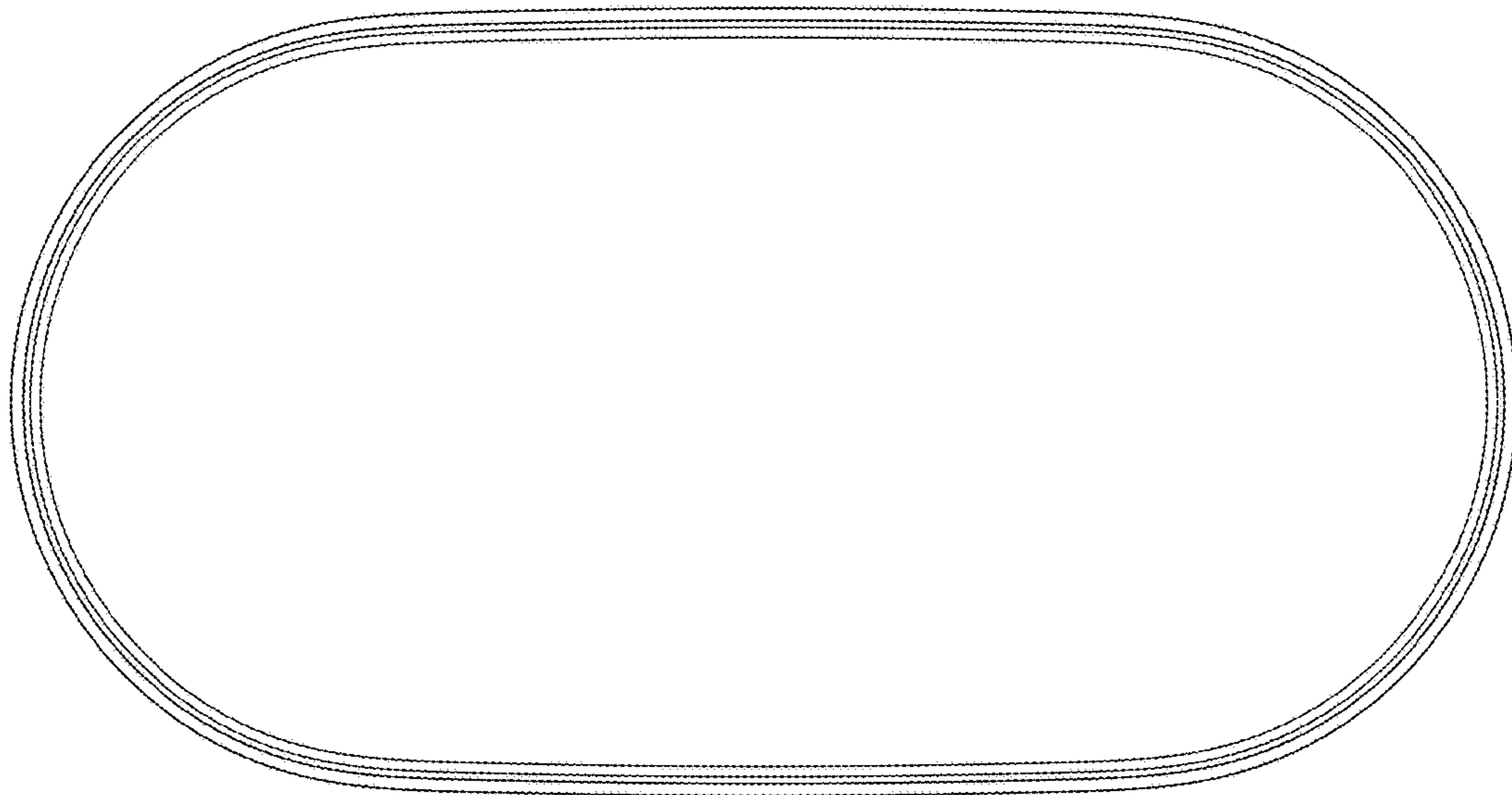


Figure 2

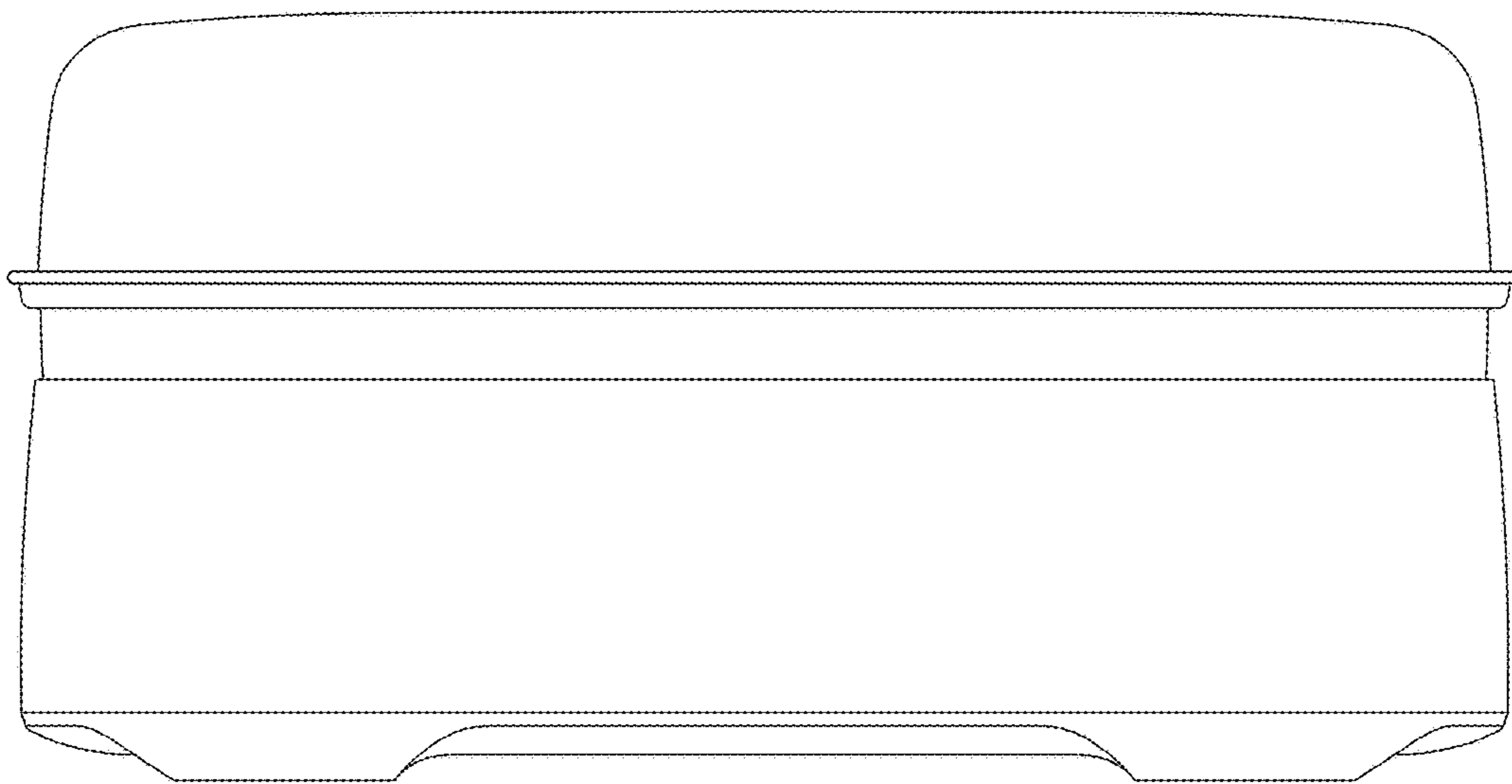


Figure 3

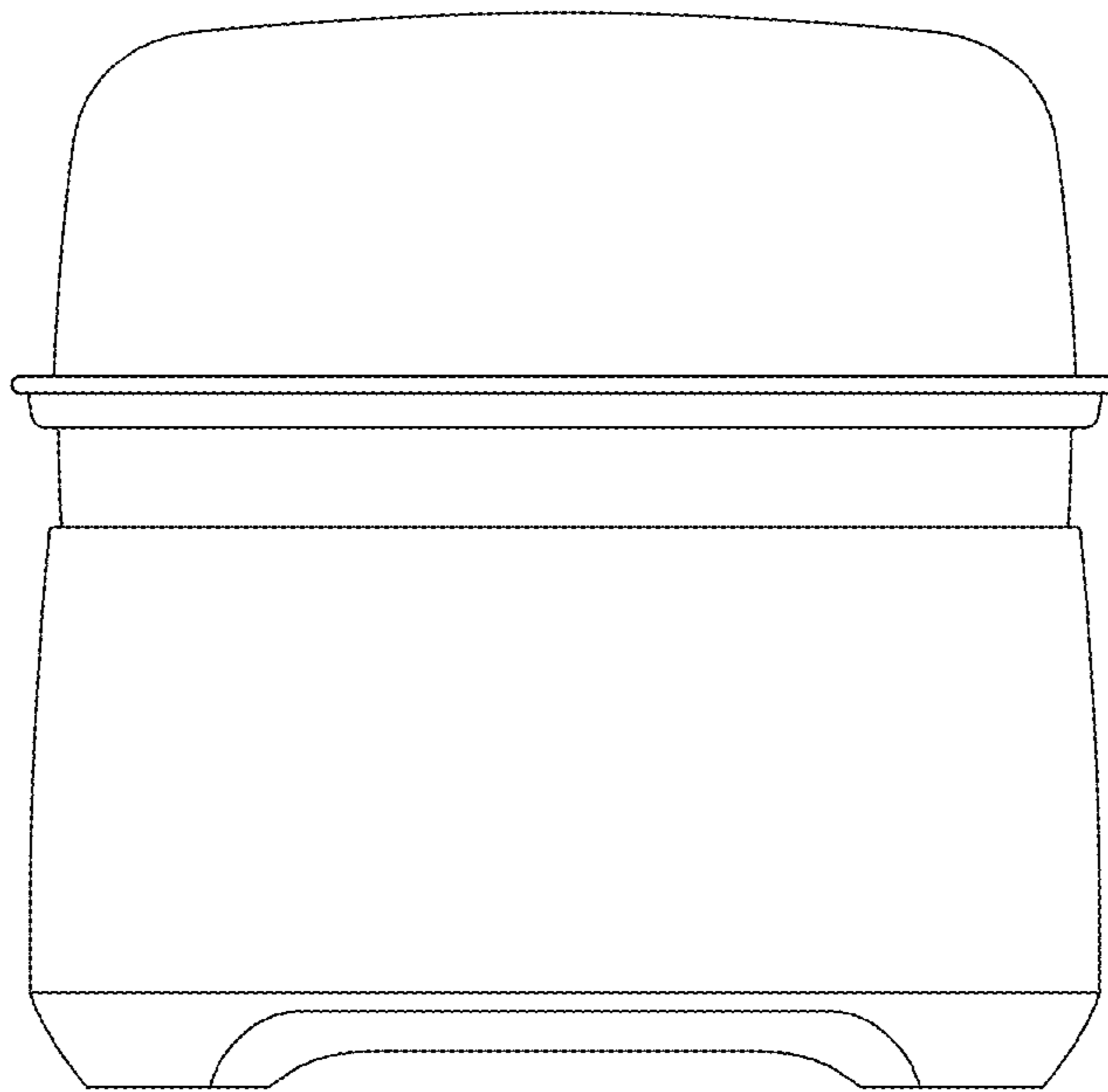


Figure 4

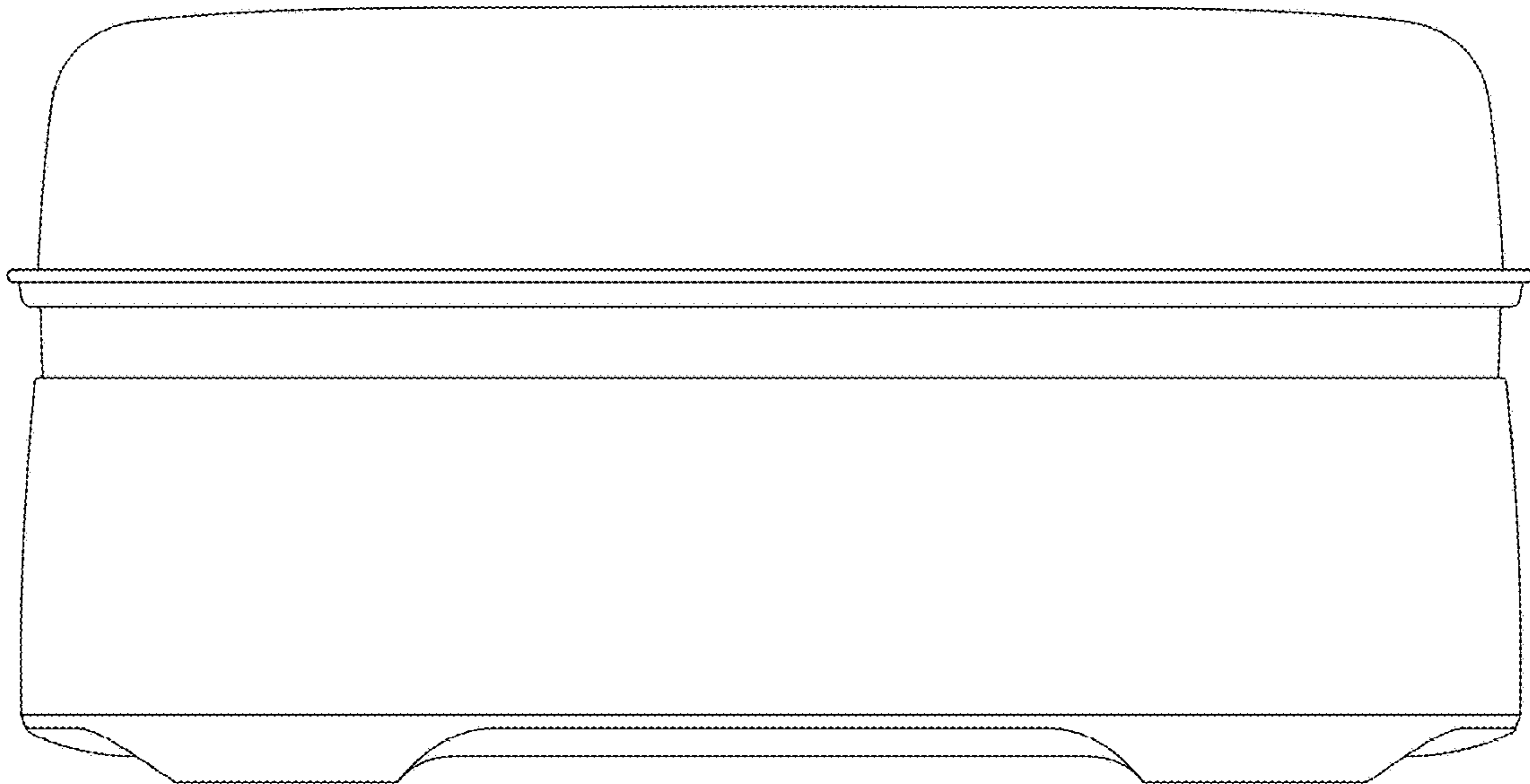


Figure 5

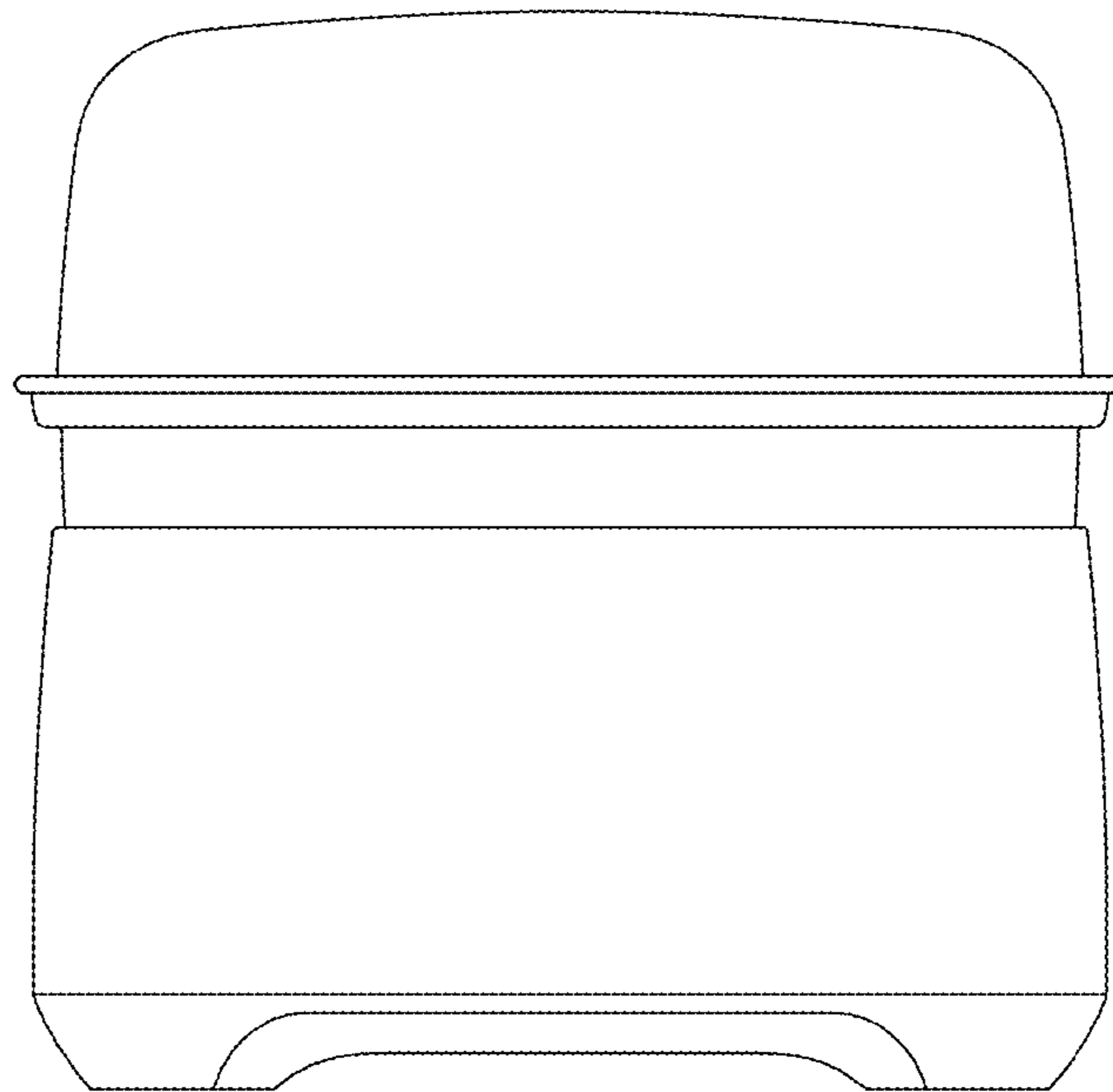


Figure 6

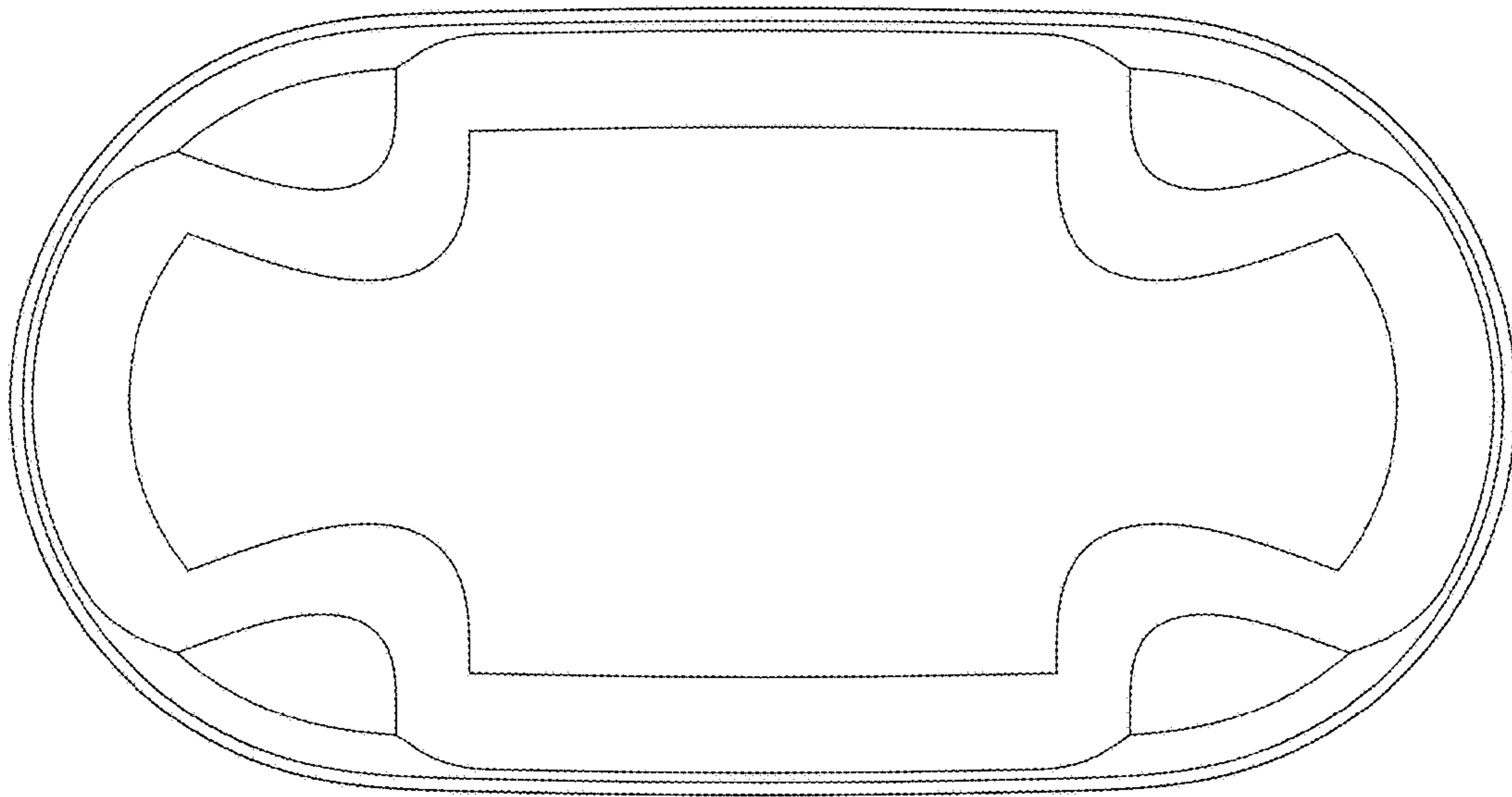


Figure 7