



US00D835931S

(12) **United States Design Patent** (10) **Patent No.:** **US D835,931 S**
Del Conte et al. (45) **Date of Patent:** **** Dec. 18, 2018**

(54) **TOASTER WITH OMBRE APPEARANCE ON THE SIDEWALL**

(71) Applicant: **Spectrum Brands, Inc.**, Middleton, WI (US)

(72) Inventors: **Claudia Del Conte**, Madison, WI (US); **Francisco Javier Barquin**, Madison, WI (US)

(73) Assignee: **Spectrum Brands, Inc.**, Middleton, WI (US)

(**) Term: **15 Years**

(21) Appl. No.: **29/572,691**

(22) Filed: **Jul. 29, 2016**

(51) **LOC (11) Cl.** **07-02**

(52) **U.S. Cl.**
USPC **D7/330**

(58) **Field of Classification Search**
USPC D5/57, 63; D7/323, 328–330, 390; D9/432, 434, 457, 499
CPC ... A21B 2/00; A47J 37/00; A47J 37/06; A47J 37/0611; A47J 37/08; A47J 37/0807; A47J 37/0814; A47J 37/0835; A47J 37/0842; A47J 37/085; A47J 37/0864; A47J 37/0878; A47J 37/0885; A47J 37/0892; D03D 23/00; D06B 11/0073; F24C 15/10; F24C 15/102
See application file for complete search history.

(56) **References Cited**

U.S. PATENT DOCUMENTS

- 1,874,320 A * 8/1932 Matthews D03D 23/00
139/383 R
- 2,716,585 A * 8/1955 Bailey, Jr. D06B 11/0073
8/114
- D178,152 S * 6/1956 Harold D5/63

- D429,894 S * 8/2000 Bergin D5/57
- D600,548 S * 9/2009 Seol D9/432
- D640,893 S * 7/2011 Lindquist D7/330
- D654,789 S * 2/2012 DuVal D9/432
- D666,091 S * 8/2012 Klopp D9/434
- D678,054 S * 3/2013 Powers D9/434
- D739,241 S * 9/2015 Markle D9/434
- D761,610 S * 7/2016 Carpenter D7/330
- D799,964 S * 10/2017 Abel D9/499

(Continued)

OTHER PUBLICATIONS

Applica/Spectrum BrandsAPPLICA/SPECTRUM BRANDS TR4900SSD Black & Decker Stainless Steel 4 Slice Toaster, Medium, Silver. <https://www.amazon.com/APPLICA-SPECTRUM-TR4900SSD-Stainless-Toaster/dp/B01MQK2DA6> (Year: 2016).*

(Continued)

Primary Examiner — Ricky Pham

(74) *Attorney, Agent, or Firm* — Banner & Witcoff, Ltd.

(57) **CLAIM**

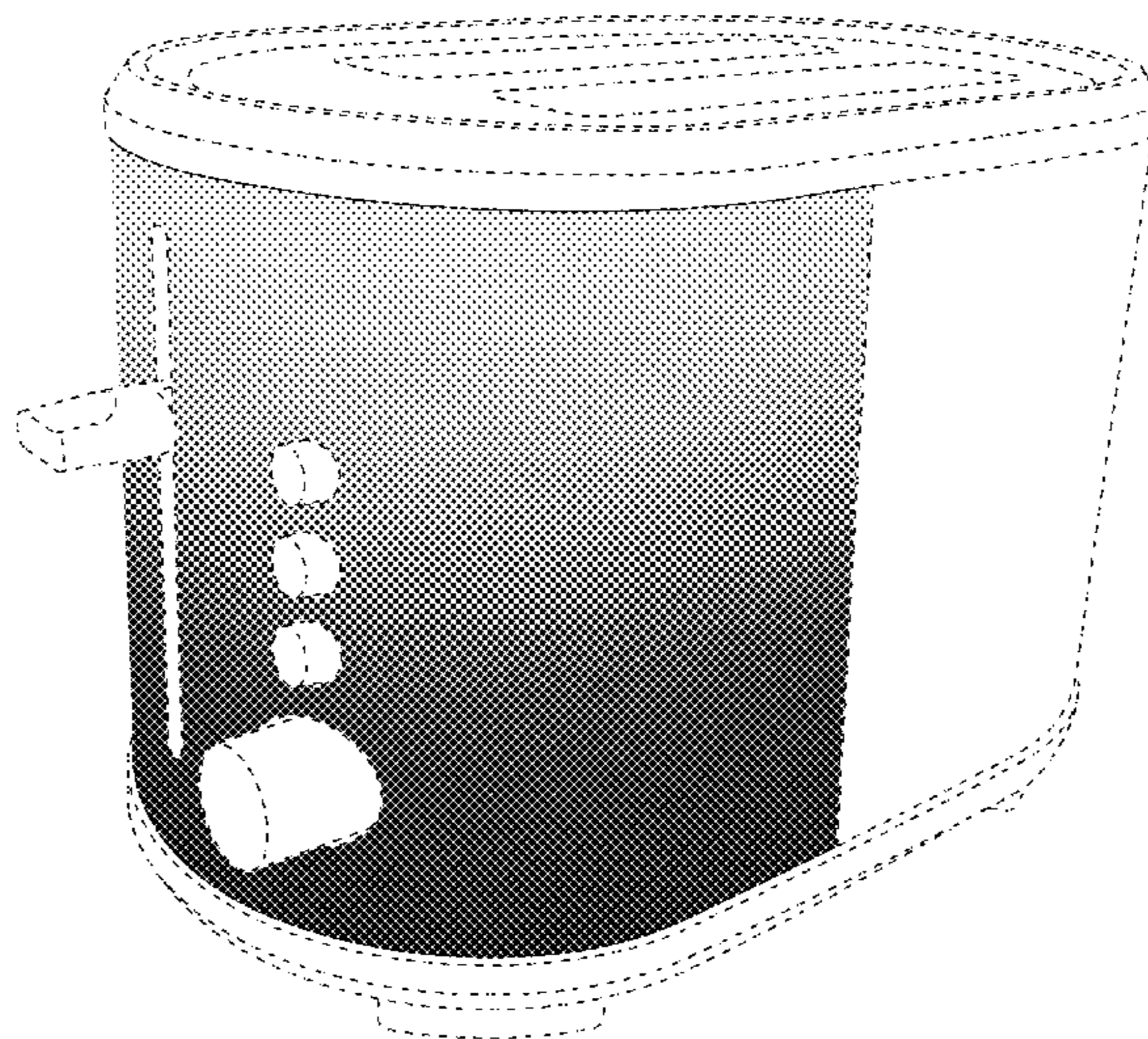
The ornamental design for a toaster with ombre appearance on the sidewall, as shown and described.

DESCRIPTION

FIG. 1 is a front perspective view of a toaster with ombre appearance on the sidewall showing our new design; FIG. 2 is a front view thereof; FIG. 3 is a right side view thereof; FIG. 4 is a left side view thereof; FIG. 5 is a rear view thereof; and, FIG. 6 is a top view thereof.

The broken lines immediately adjacent to the photographic area represent unclaimed boundaries of the design. The broken lines showing the lever, the slot, the buttons and knobs, and the remainder of the toaster represent unclaimed subject matter and form no part of the claimed design.

1 Claim, 6 Drawing Sheets



(56)

References Cited

U.S. PATENT DOCUMENTS

D814,223 S * 4/2018 Barquin D7/330

OTHER PUBLICATIONS

Black+Decker 4-Slice Extra-Wide Slot Toaster, Stainless Steel, Ombré Finish, TR4310FBD. <https://www.amazon.com/BLACK-DECKER-Extra-Wide-Stainless-TR4310FBD> (Year: 2017).*

“Stainless Steel 2-Slice Toaster”; Black and Decker Appliances; retrieved Jan. 27, 2017; disclosure date unknown but prior to the date of filing of present application; URL: <<http://www.blackanddeckerappliances.com/products/cooking-appliances/toasters/TR2300SD-2-slice-toaster.aspx>>.

* cited by examiner

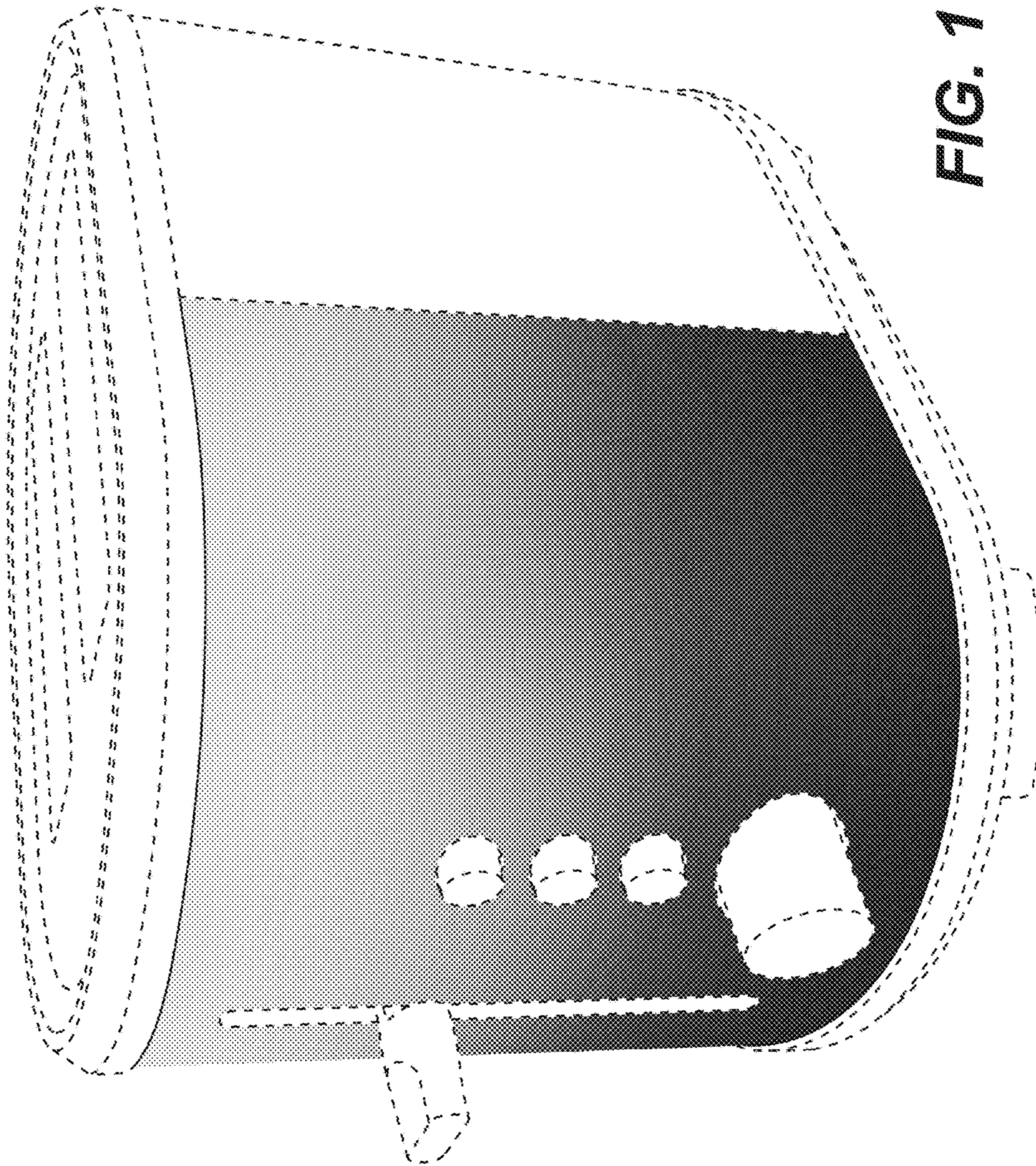


FIG. 1

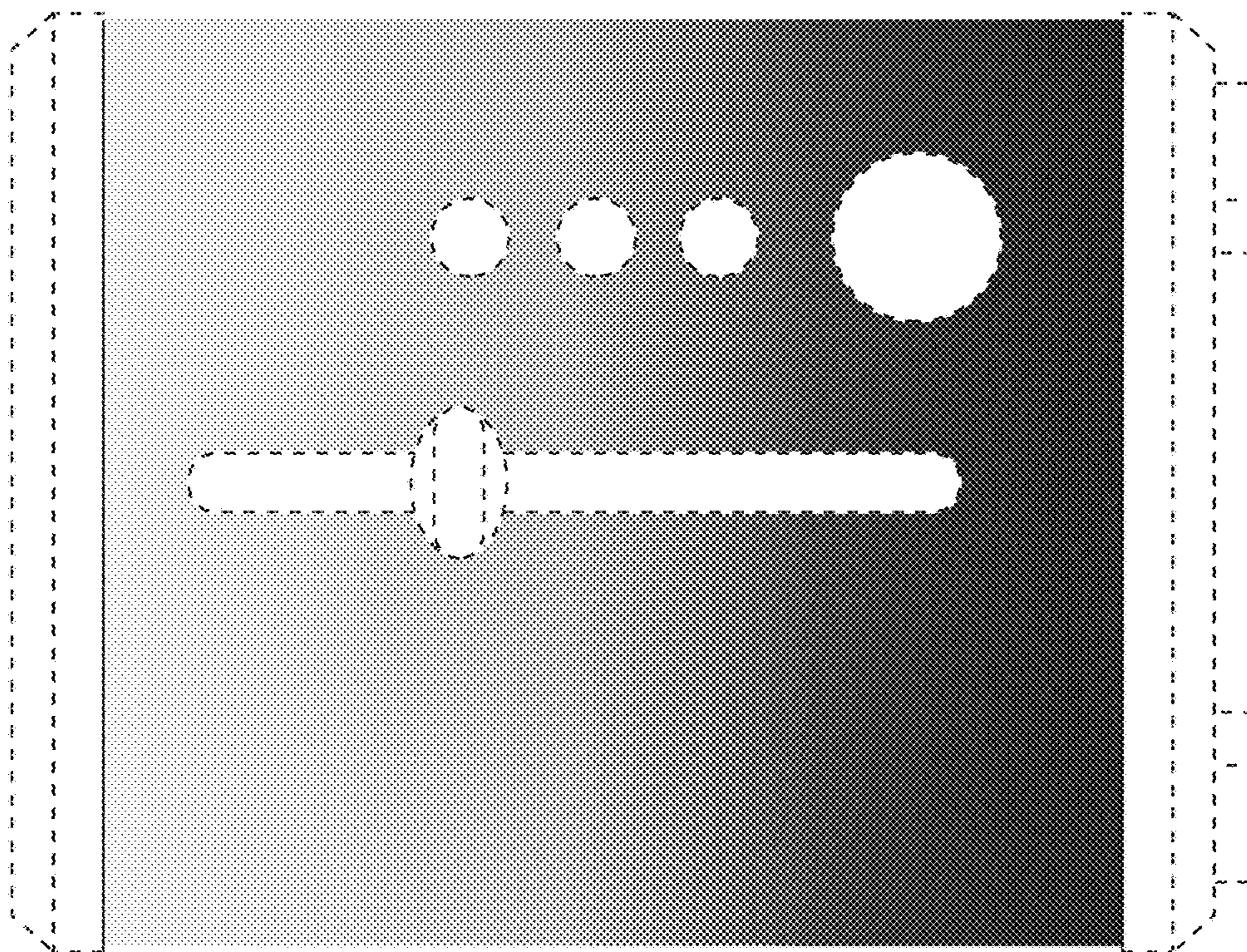


FIG. 2

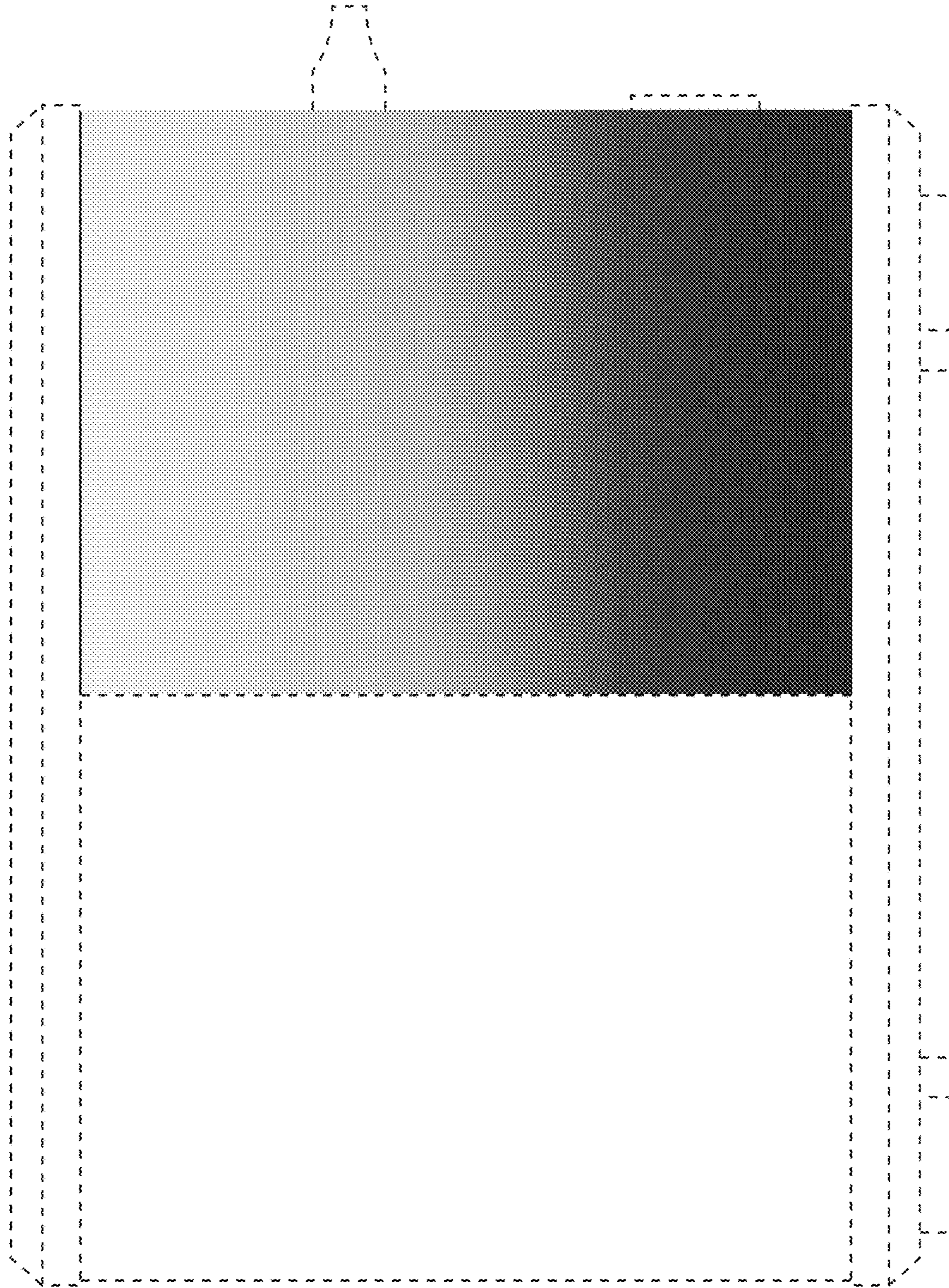


FIG. 3

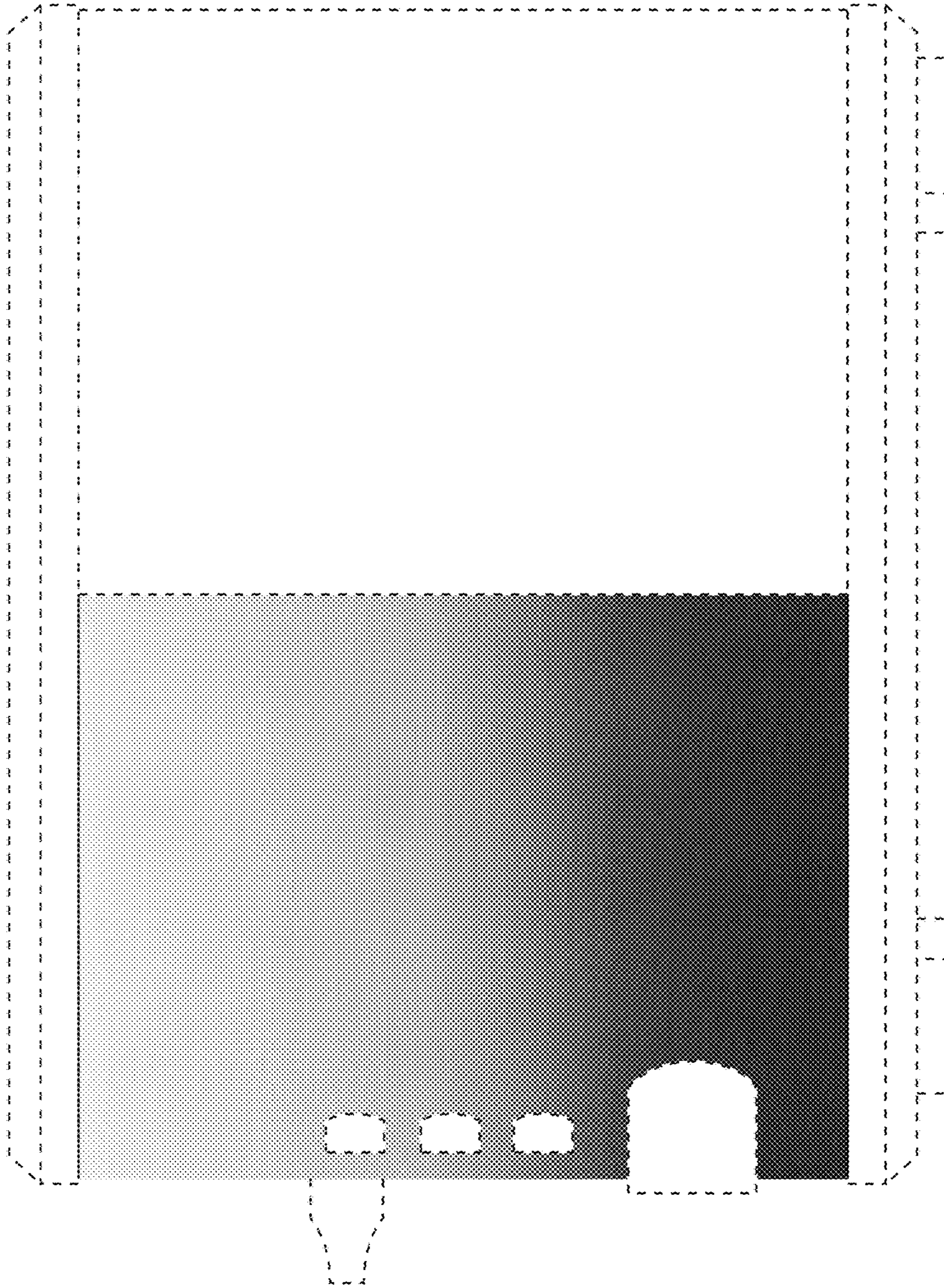


FIG. 4



FIG. 5

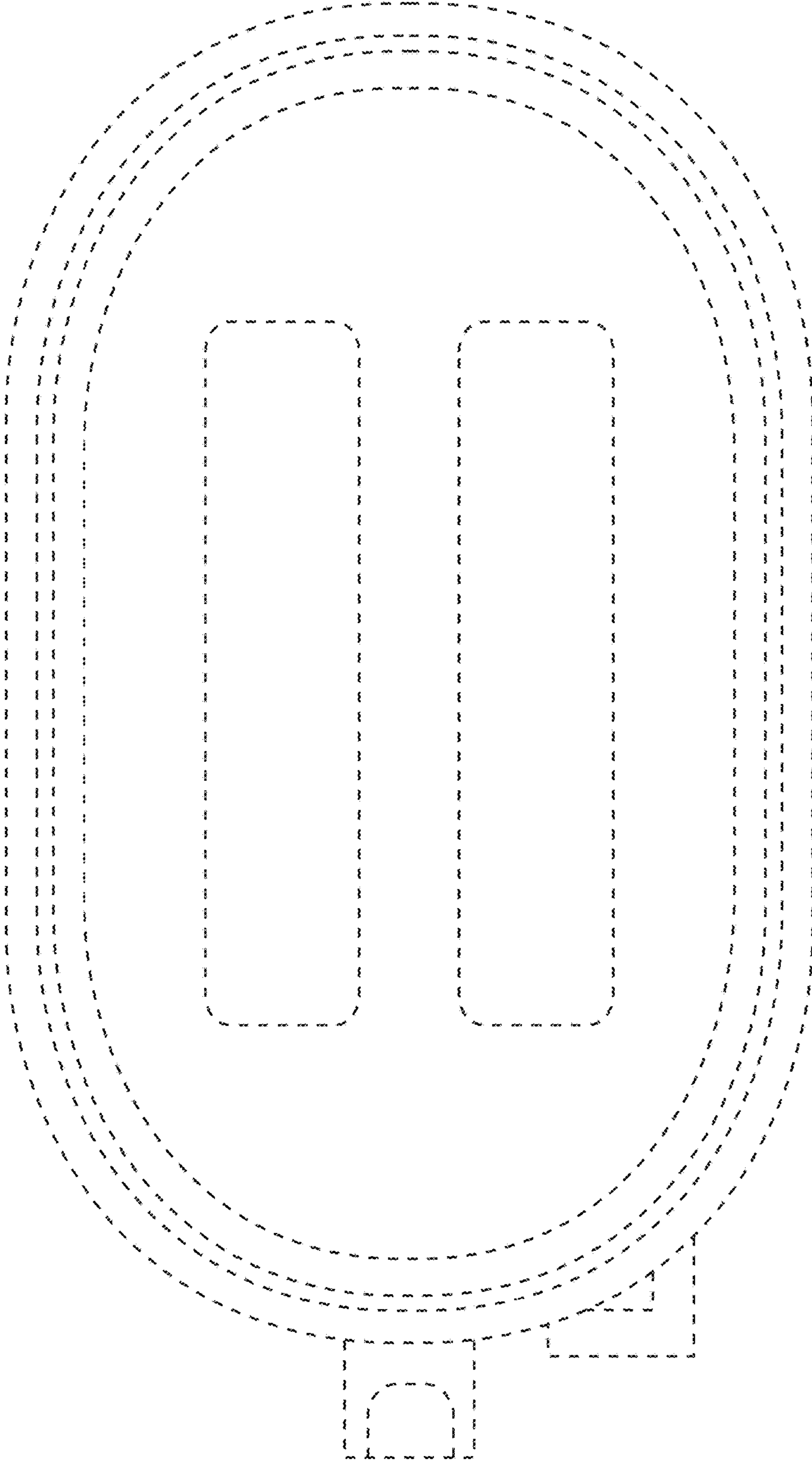


FIG. 6