



US00D835929S

(12) **United States Design Patent**
Kim

(10) **Patent No.:** **US D835,929 S**

(45) **Date of Patent:** **** Dec. 18, 2018**

(54) **AUTOMOTIVE HEADREST**

8,016,353 B2 * 9/2011 Kuno B60N 2/879
297/217.3

(71) Applicant: **SAMSUNG DISPLAY CO., LTD.**,
Yongin-si, Gyeonggi-do (KR)

D697,851 S 1/2014 Woo et al.
D723,448 S 3/2015 Woo et al.
D723,821 S * 3/2015 Kondou D6/356

(72) Inventor: **Min Soo Kim**, Seoul (KR)

(Continued)

(73) Assignee: **Samsung Display Co., Ltd.**, Yongin-si
(KR)

FOREIGN PATENT DOCUMENTS

(**) Term: **15 Years**

JP D1490386 2/2014
JP D1490598 2/2014

(21) Appl. No.: **29/575,948**

Primary Examiner — Mimoso De

(22) Filed: **Aug. 30, 2016**

(74) *Attorney, Agent, or Firm* — Lewis Roca Rothgerber
Christie LLP

(30) **Foreign Application Priority Data**

(57) **CLAIM**

Mar. 3, 2016 (KR) 30-2016-0009819

The ornamental design for an automotive headrest, as shown
and described.

(51) **LOC (11) Cl.** **06-01**

DESCRIPTION

(52) **U.S. Cl.**

USPC **D6/716.5**

(58) **Field of Classification Search**

USPC D6/334–336, 356, 364, 366, 367, 379,
D6/380, 716, 716.4, 716.5

CPC B60N 2/80; B60N 2/803; B60N 2/806;
B60N 2/832; B60N 2/856; B60N 2/879;
A47C 7/38; A47C 7/383

See application file for complete search history.

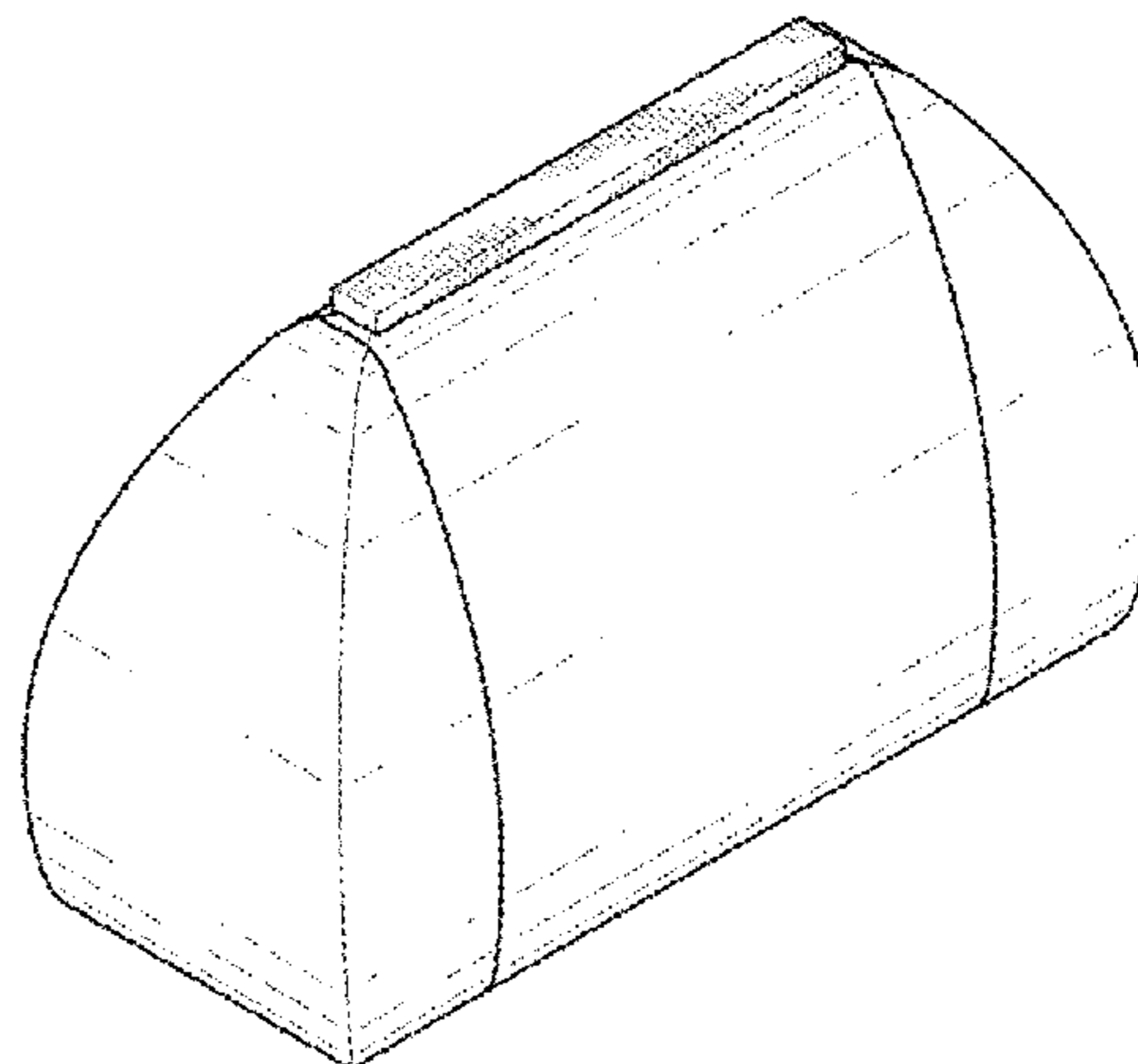
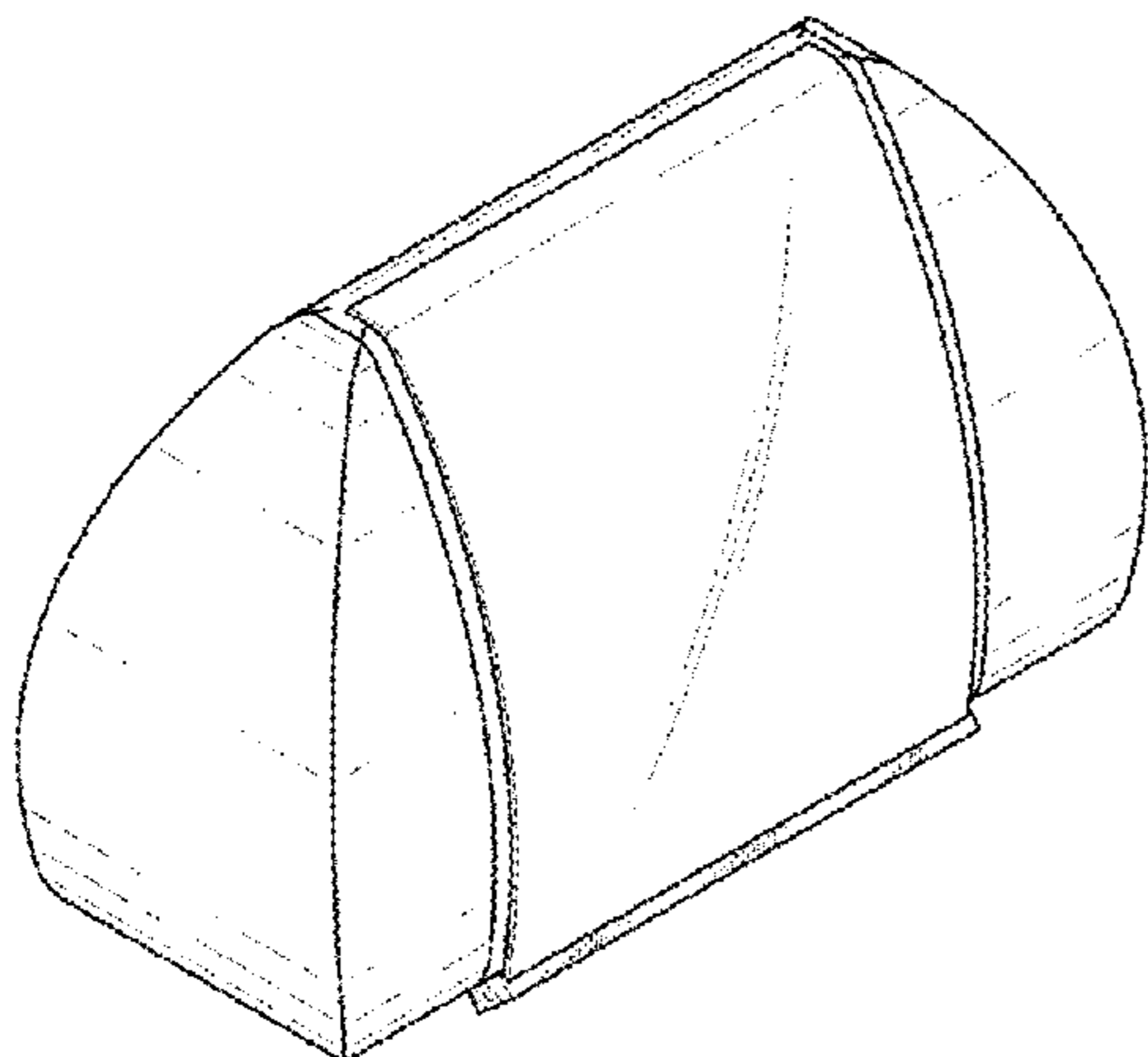
FIG. 1 is a perspective view of an automotive headrest with
a display in an unrolled state;
FIG. 2 is a front view thereof;
FIG. 3 is a rear view thereof;
FIG. 4 is a left-side view thereof;
FIG. 5 is a right-side view thereof;
FIG. 6 is a top view thereof;
FIG. 7 is a bottom view thereof;
FIG. 8 is a perspective view of the automotive headrest with
the display in a rolled state;
FIG. 9 is a front view thereof;
FIG. 10 is a rear view thereof;
FIG. 11 is a left-side view thereof;
FIG. 12 is a right-side view thereof;
FIG. 13 is a top view thereof;
FIG. 14 is a bottom view thereof; and,
FIG. 15 is a front view of the automotive headrest with the
display in the unrolled state on which an image is displayed
in dotted lines, the image forming no part of the claimed
design.

(56) **References Cited**

U.S. PATENT DOCUMENTS

D184,656 S * 3/1959 Baynes D6/356
5,261,726 A * 11/1993 Yanagishita B60N 2/806
297/408
D535,485 S * 1/2007 Moburg D6/356
D541,542 S * 5/2007 Yokoyama D6/356
D555,922 S * 11/2007 Esaki D6/356
D578,315 S * 10/2008 Wyszogrod D6/356
D578,785 S * 10/2008 Wyszogrod D6/356
7,637,565 B2 * 12/2009 Kuno A47C 7/38
297/217.3

1 Claim, 11 Drawing Sheets



(56)

References Cited

U.S. PATENT DOCUMENTS

D725,952 S * 4/2015 Szczygiel D6/716.5
9,174,559 B2 * 11/2015 Subat B60N 2/80
D750,929 S * 3/2016 Line D6/716.5
9,399,410 B2 * 7/2016 Cuddihy B60N 2/832
9,707,871 B2 * 7/2017 Okamoto B60N 2/80
D801,065 S * 10/2017 Willis D6/356
9,827,432 B2 * 11/2017 Wu B60N 2/879
10,011,205 B2 * 7/2018 Line B60N 2/80

* cited by examiner

FIG. 1

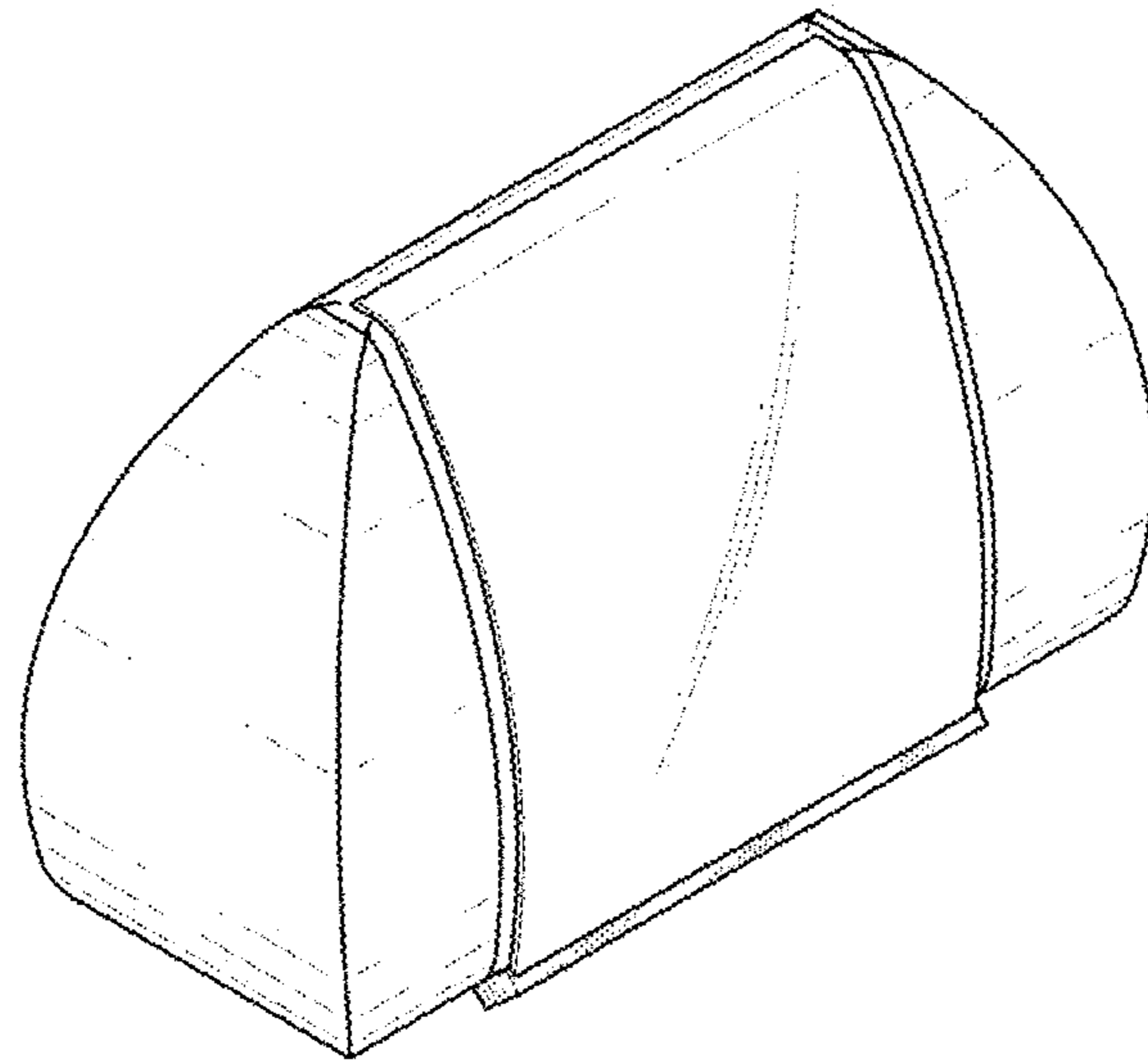


FIG. 2

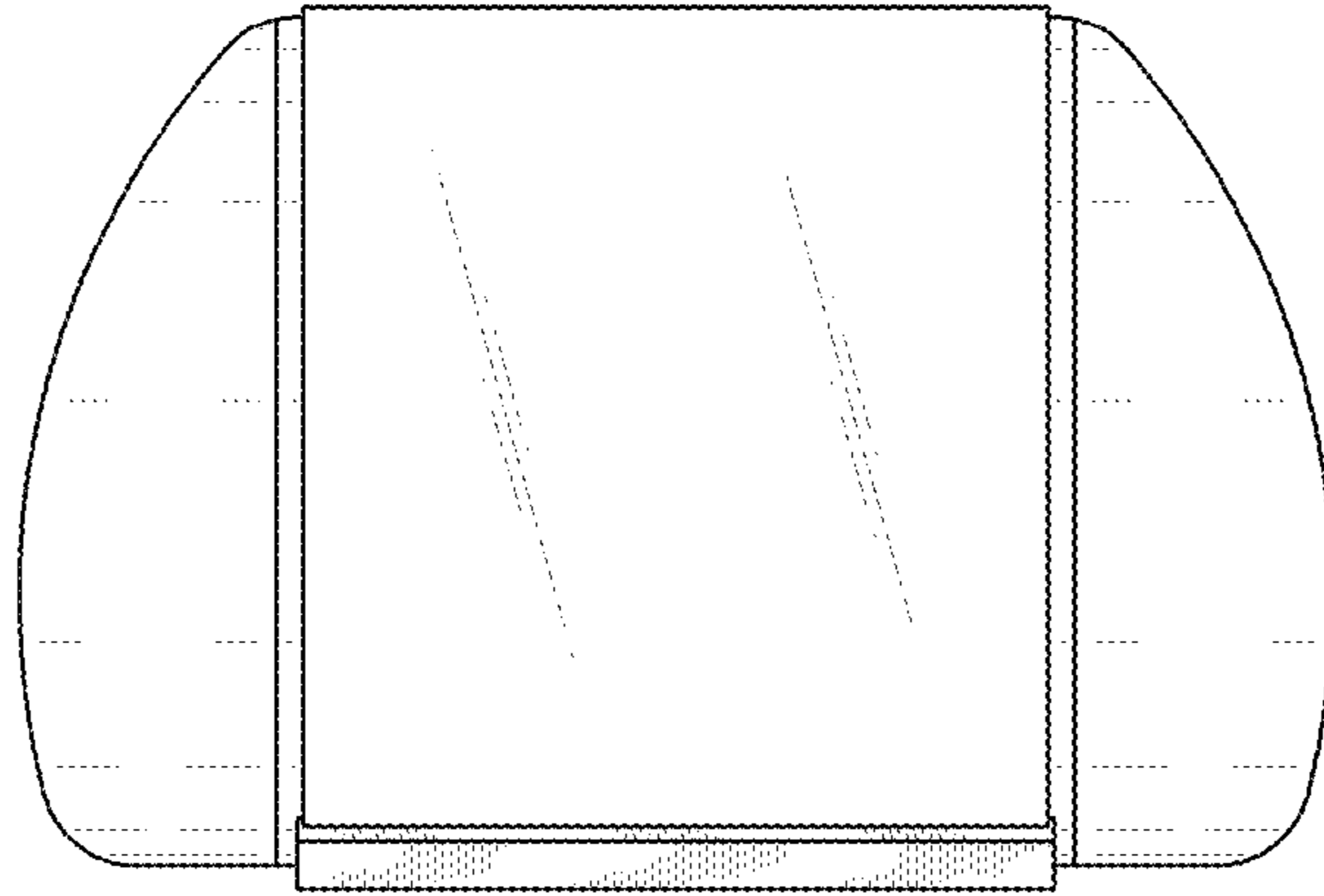


FIG. 3

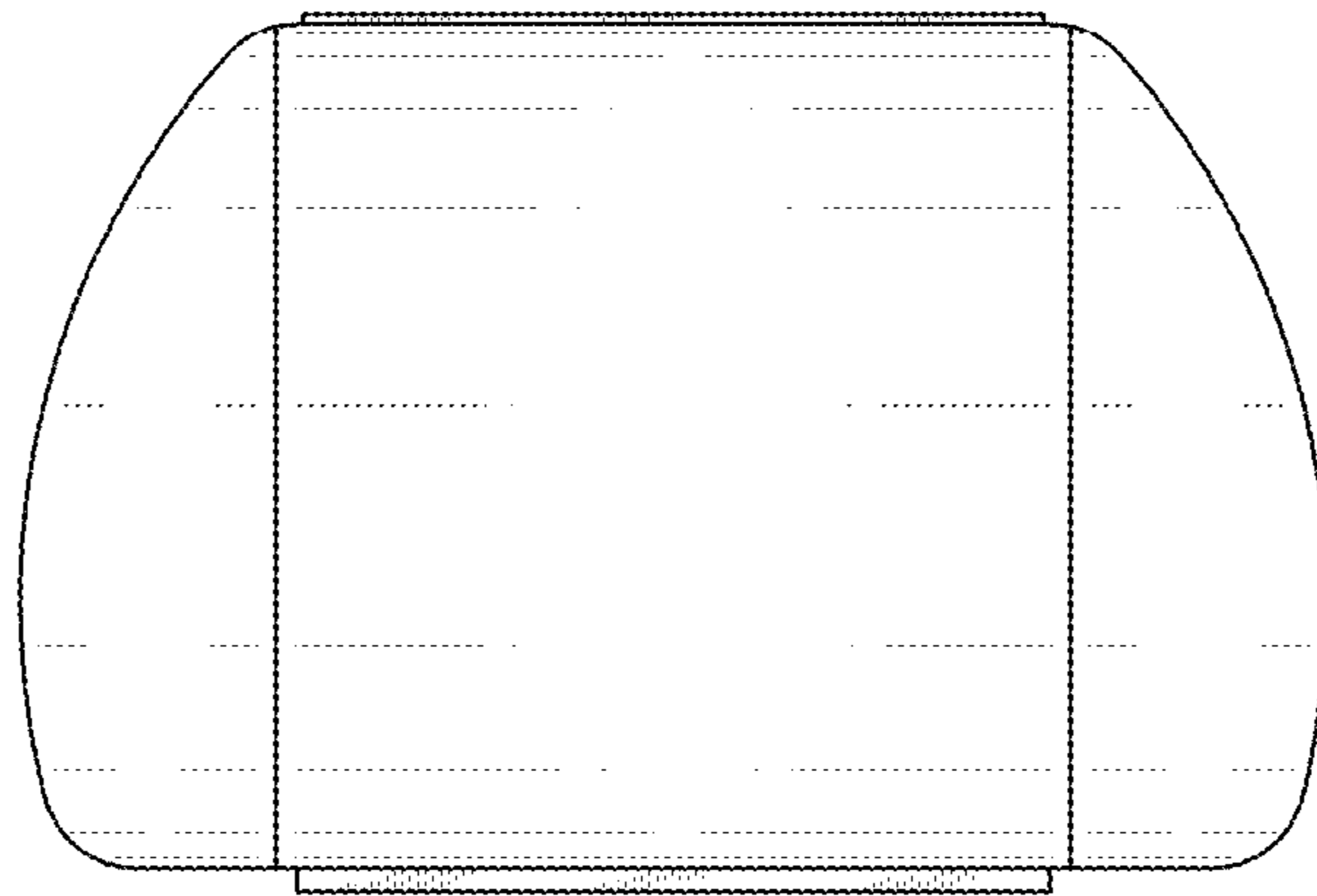


FIG. 4

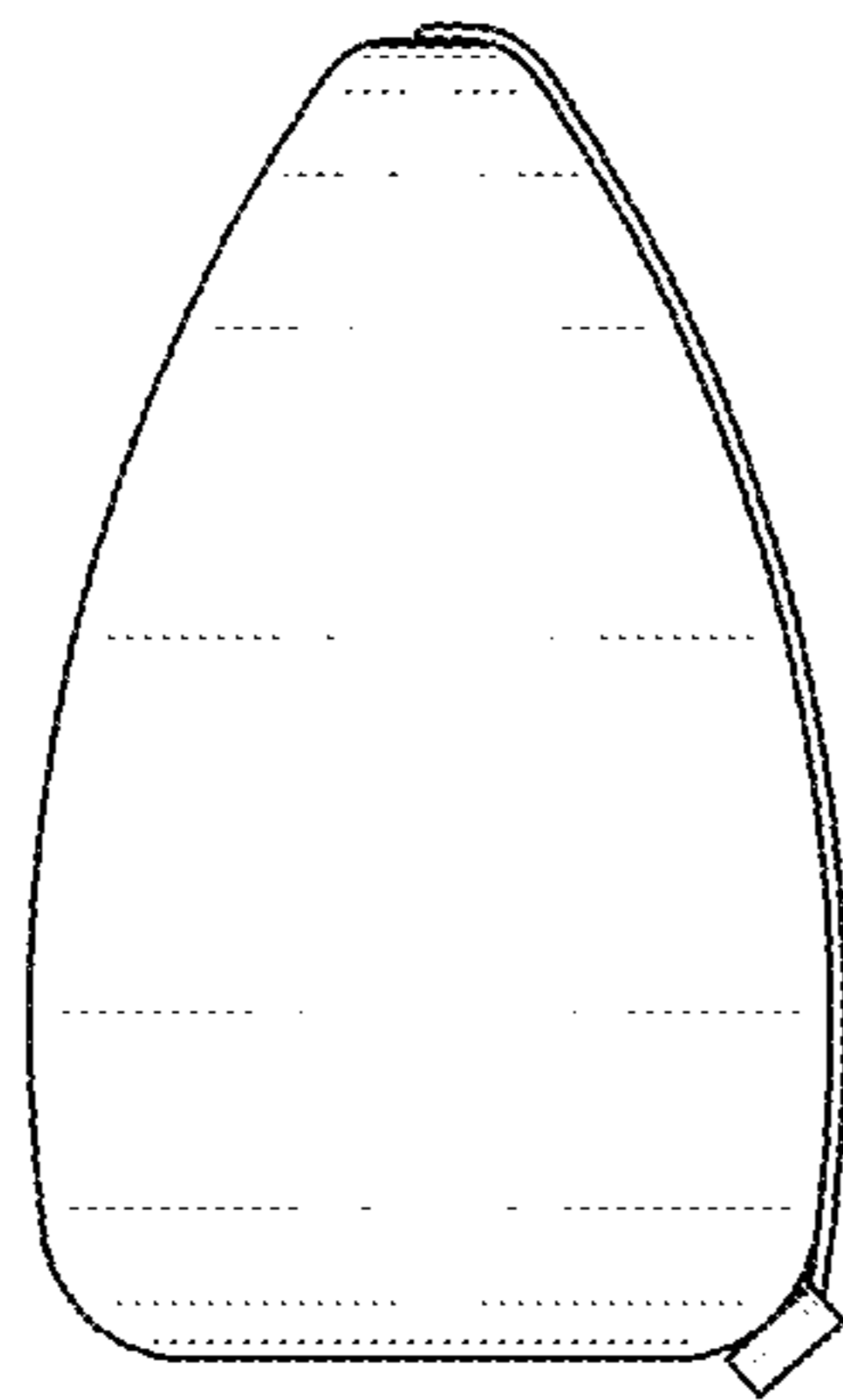


FIG. 5

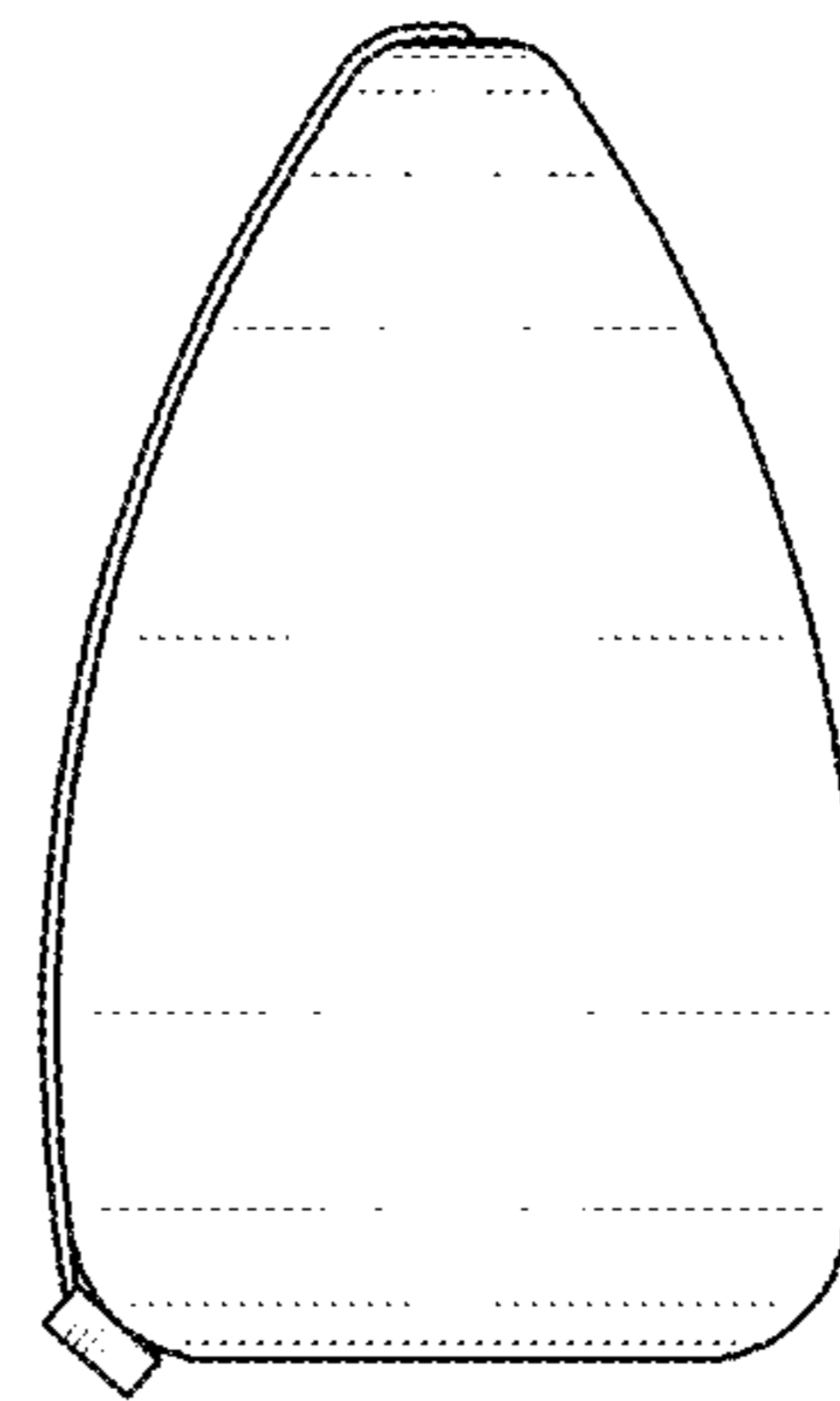


FIG. 6

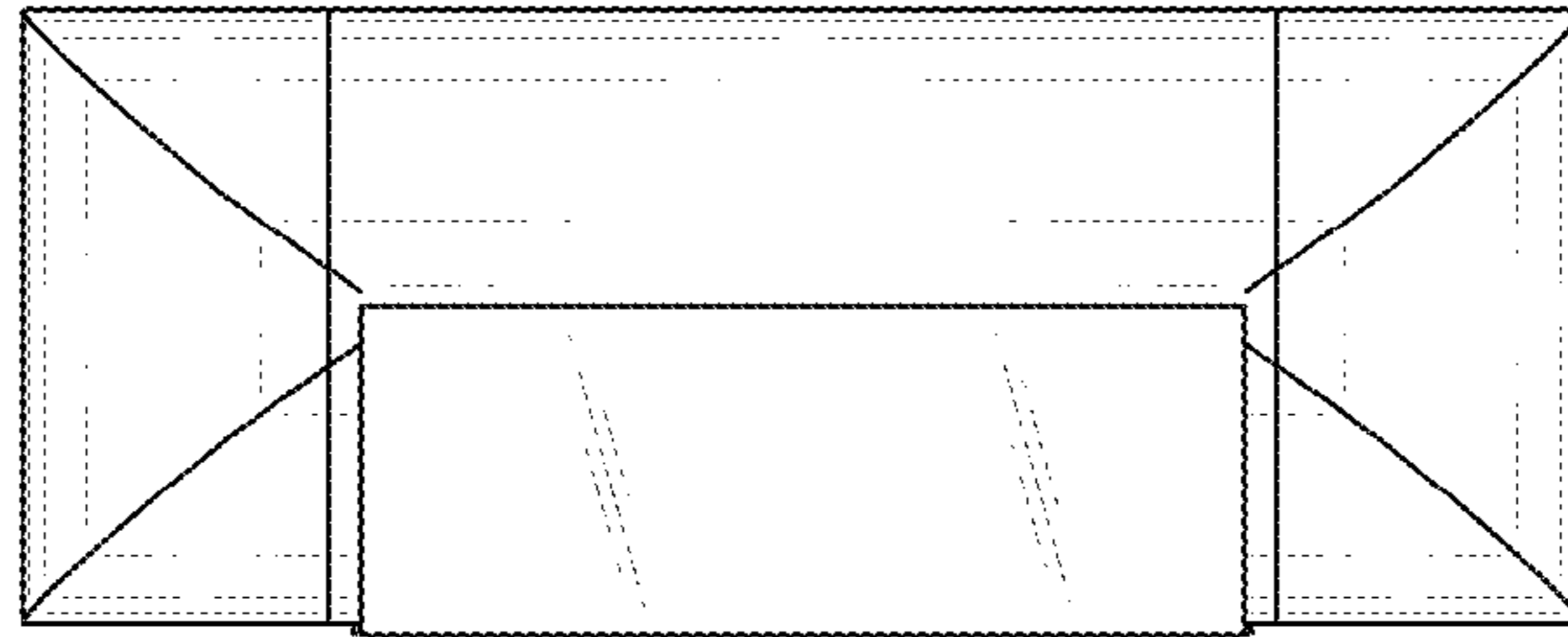


FIG. 7

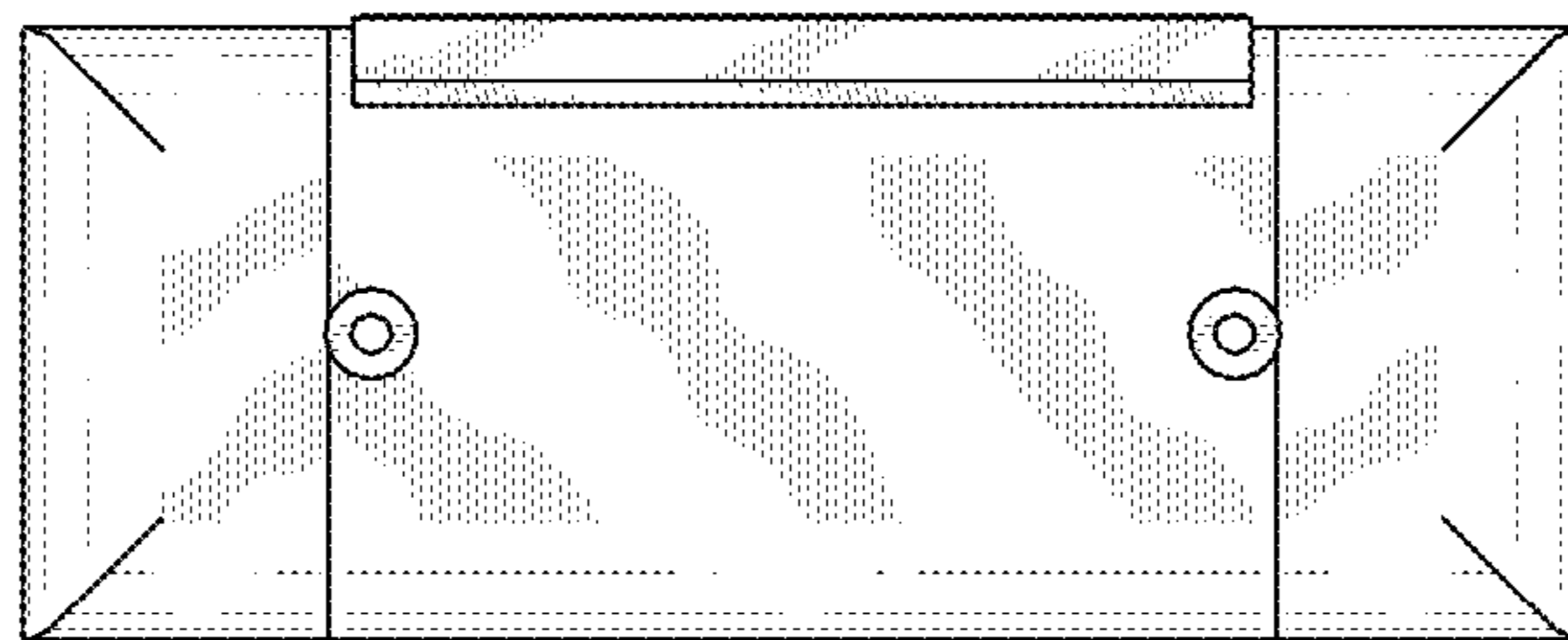


FIG. 8

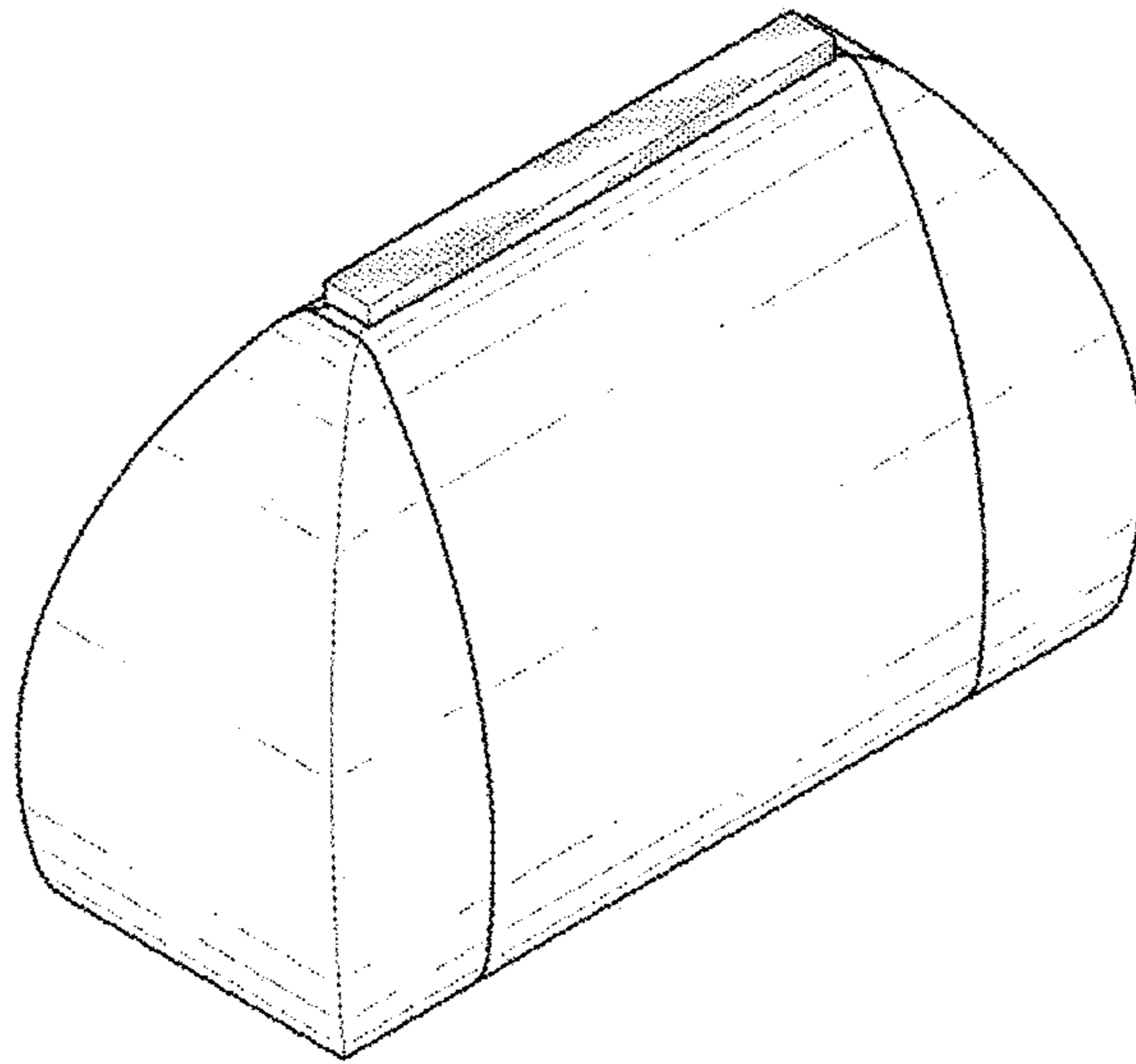


FIG. 9

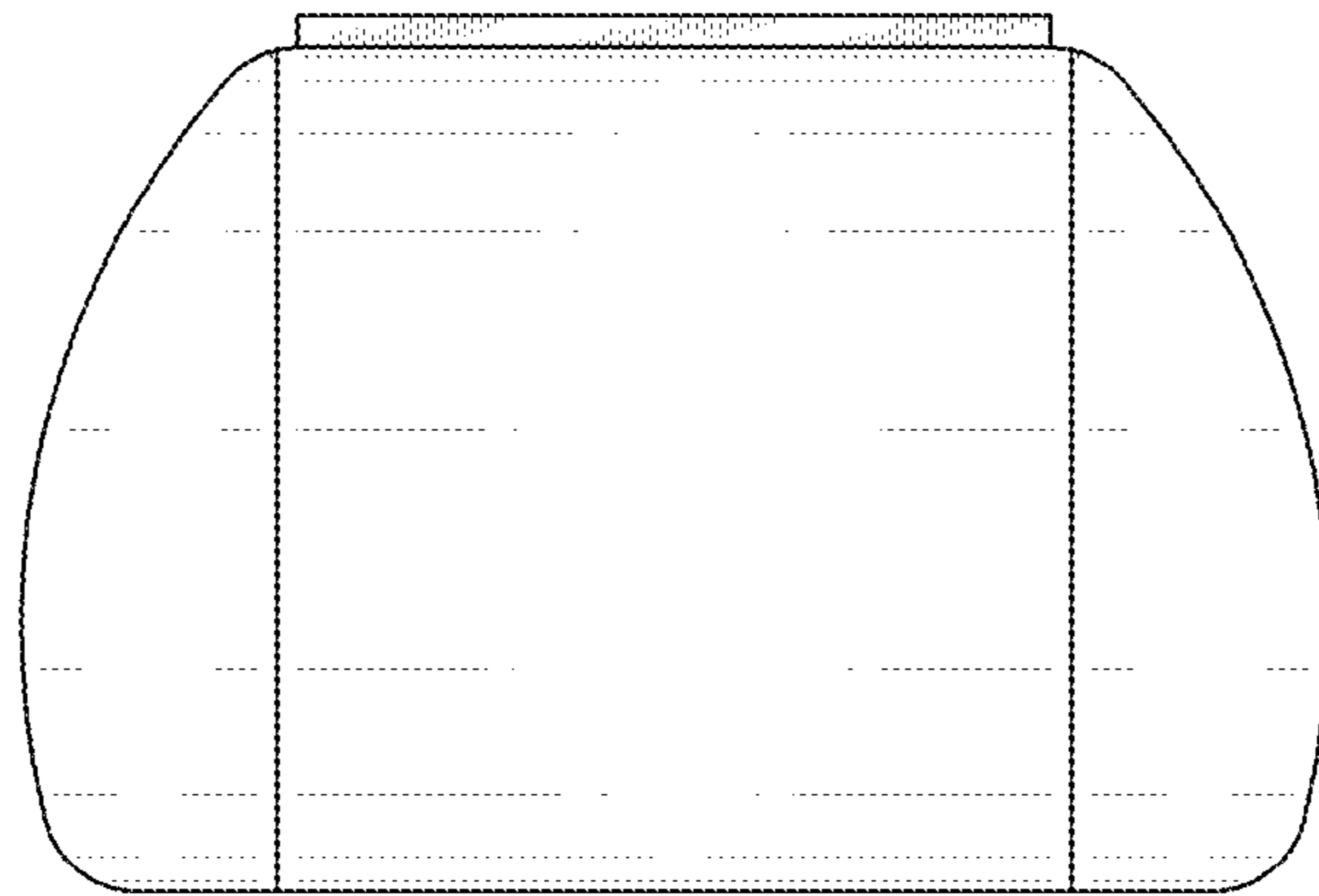


FIG. 10

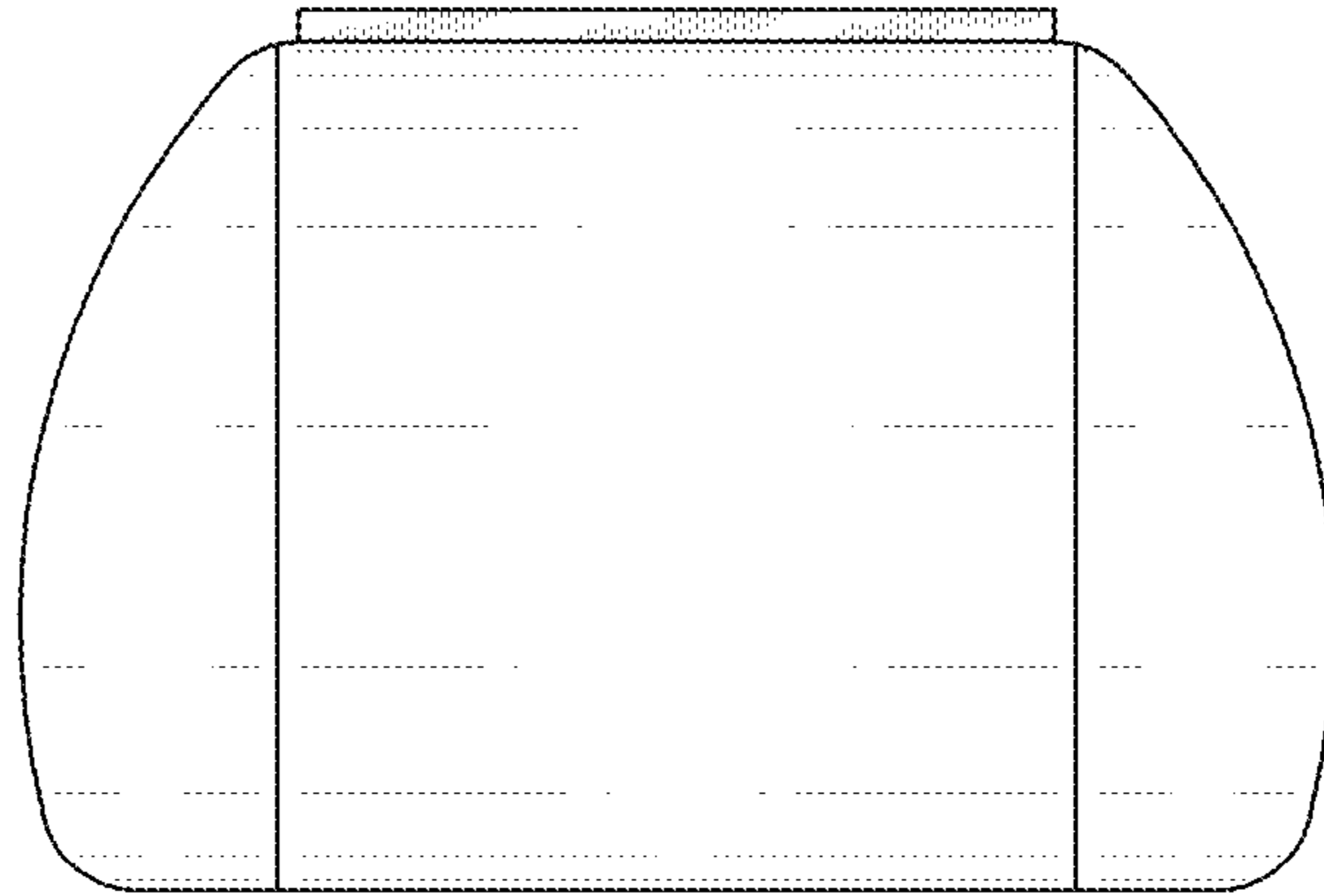


FIG. 11

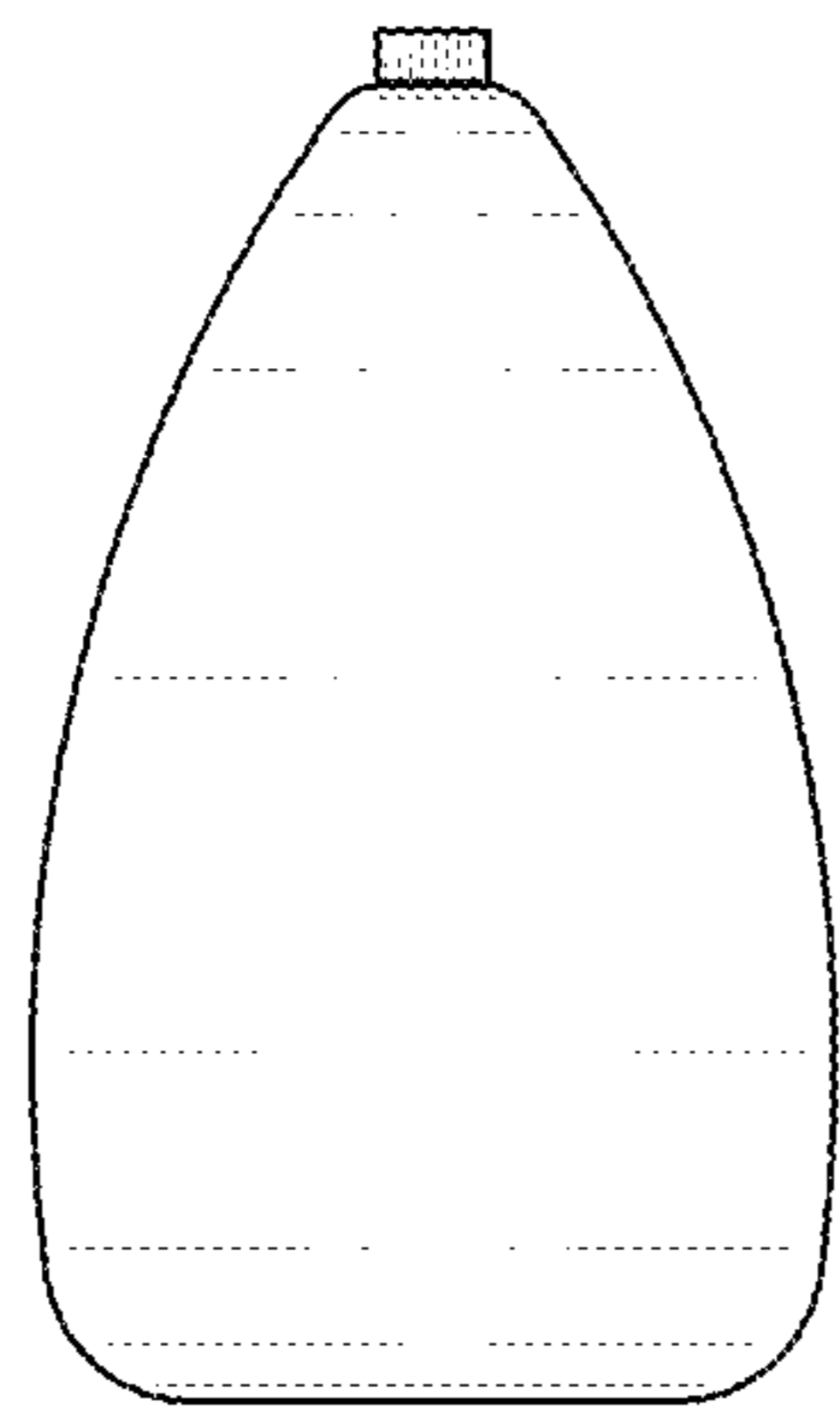


FIG. 12

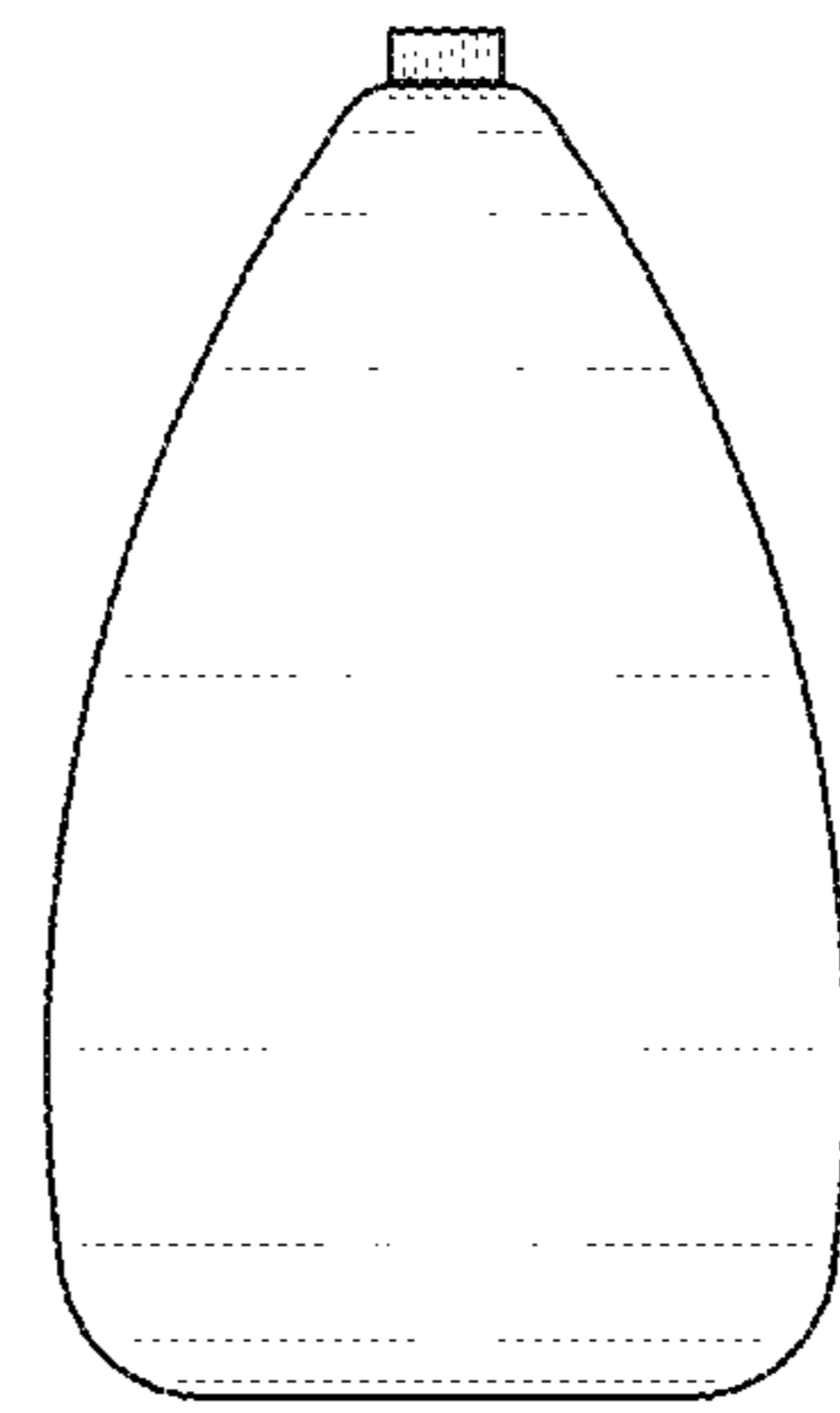


FIG. 13

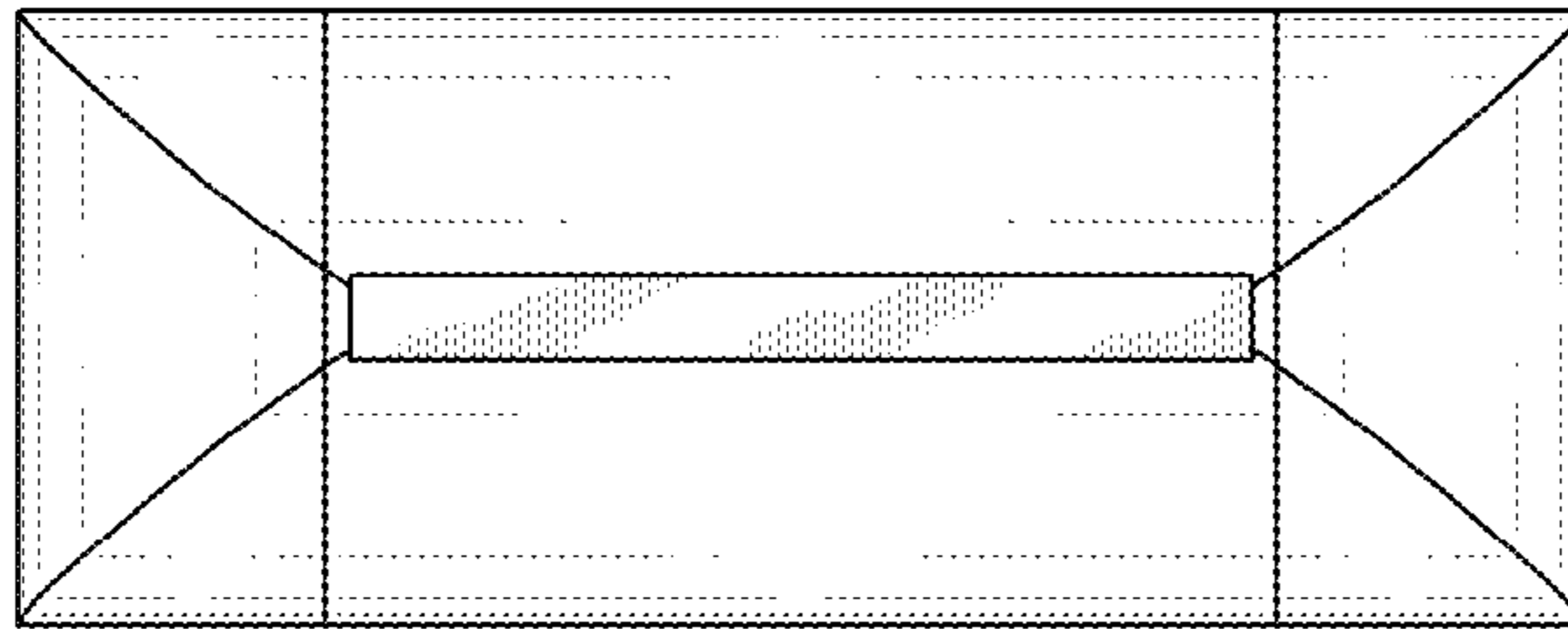


FIG. 14

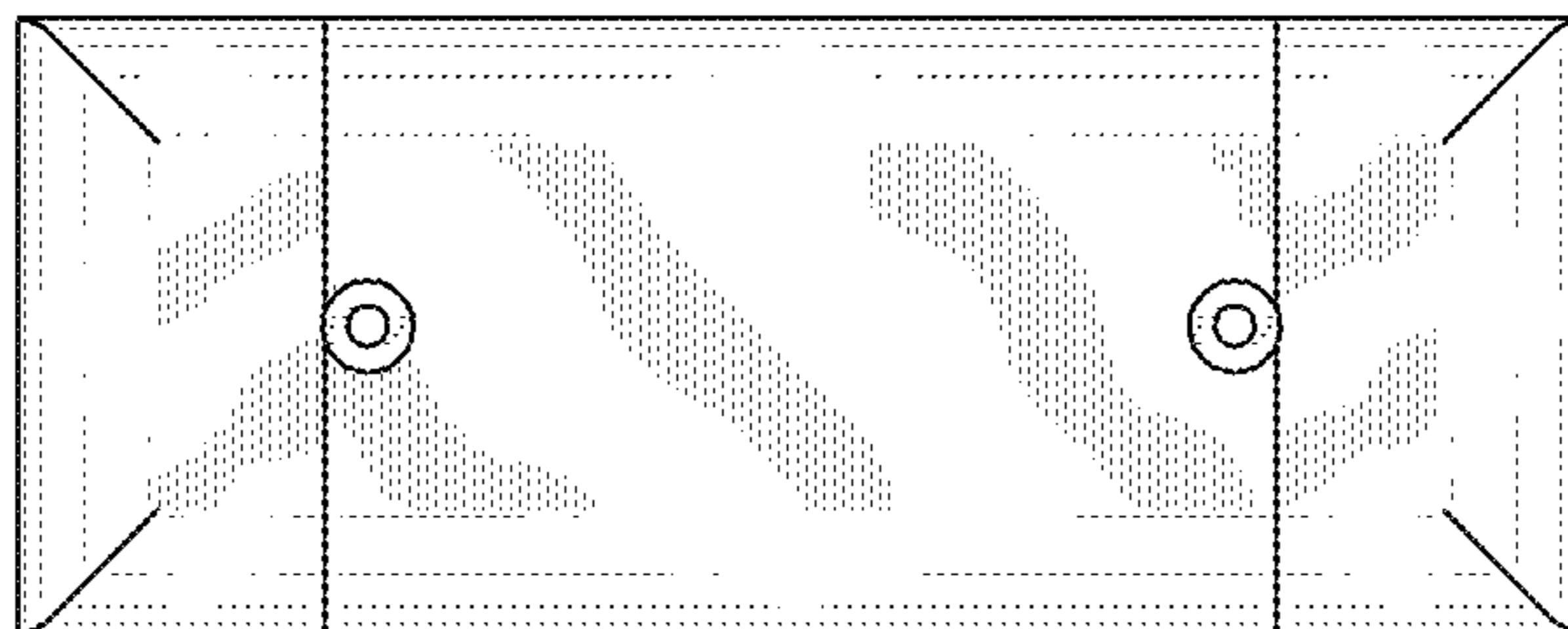


FIG. 15

