



US00D835920S

(12) **United States Design Patent** (10) **Patent No.:** **US D835,920 S**  
**Sullins** (45) **Date of Patent:** **\*\* Dec. 18, 2018**

(54) **BED TRAY**

(71) Applicant: **Patrick Hogan Sullins**, Arlington, TX (US)

(72) Inventor: **Patrick Hogan Sullins**, Arlington, TX (US)

(\*\*) Term: **15 Years**

(21) Appl. No.: **29/625,410**

(22) Filed: **Nov. 9, 2017**

(51) **LOC (11) Cl.** ..... **06-03**

(52) **U.S. Cl.**  
USPC ..... **D6/406.3**

(58) **Field of Classification Search**  
USPC ..... D6/512, 685-686, 691, 704, 707.19, D6/406.1, 406.2, 406.3, 406.4, 406.5, D6/406.6; D7/545, 550.1, 552.2, 554.3  
CPC .... A47G 23/06; A47G 23/08; A47G 23/0608; A47B 19/08; A47B 23/00; A47B 23/001  
See application file for complete search history.

(56) **References Cited**

**U.S. PATENT DOCUMENTS**

D404,219 S *	1/1999	Patterson	.....	D6/406.5
D404,589 S *	1/1999	Taylor	.....	D6/406.4
6,044,758 A *	4/2000	Drake	.....	A47B 23/001
				100/43
D428,729 S *	8/2000	Weitzman	.....	D6/406.5
D505,803 S *	6/2005	Mason	.....	D6/406.6
D514,057 S *	1/2006	Borunda	.....	D12/426.1
D624,922 S *	10/2010	Hui	.....	D14/447
D630,452 S *	1/2011	Robbins	.....	D14/457
D651,651 S *	1/2012	Beukema	.....	D13/139.1
8,667,903 B1 *	3/2014	Goltry	.....	A47B 1/05
				108/132

D704,511 S *	5/2014	Beckman	.....	D7/552.2
D708,621 S *	7/2014	Gifford	.....	D14/447
D722,061 S *	2/2015	Byrne	.....	D14/447
D774,650 S *	12/2016	Williams	.....	D24/185
D799,851 S *	10/2017	Waxman	.....	D6/406.6

\* cited by examiner

*Primary Examiner* — Kelley A Donnelly

(74) *Attorney, Agent, or Firm* — Guy V. Manning

(57) **CLAIM**

The ornamental design for a bed tray, as shown and described.

**DESCRIPTION**

FIG. 1 is a left, elevated, quartering perspective view of the new design for a bed tray of the present invention.

FIG. 2 is a left side elevational view of the bed tray shown in FIG. 1, the right side elevational view being a mirror image thereof;

FIG. 3 is a front elevational view of the bed tray shown in FIG. 1;

FIG. 4 is a rear elevational view of the bed tray shown in FIG. 1;

FIG. 5 is a top plan view of the bed tray shown in FIG. 1;

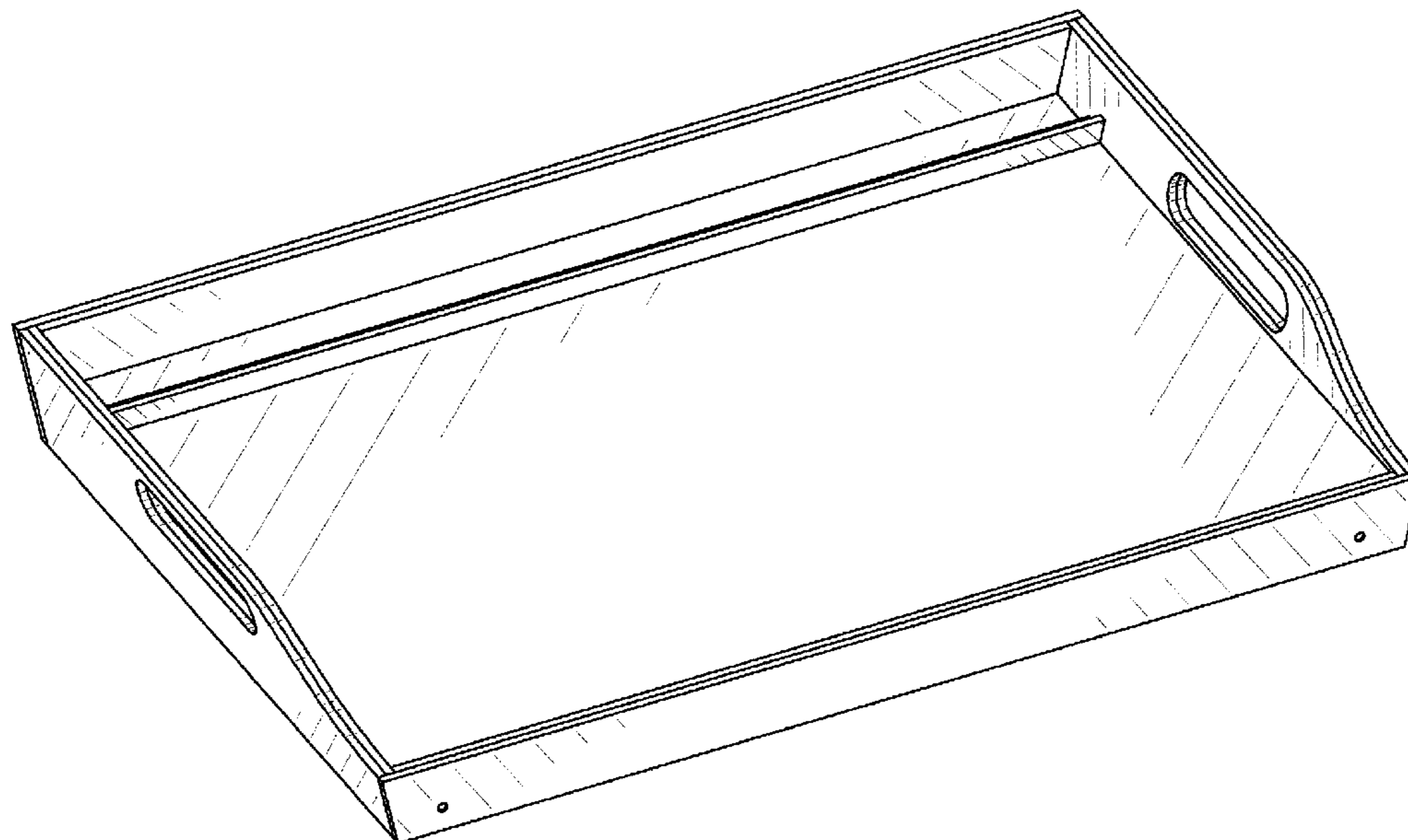
FIG. 6 is a bottom plan view of the bed tray shown in FIG. 1, with legs folded into a stored position beneath the bed tray;

FIG. 7 is a left, elevated, quartering perspective of the bed tray of FIG. 1 but with the legs shown in FIG. 6 folded down for supporting the bed tray on a resting surface (not shown);

FIG. 8 is a section view taken as indicated in FIG. 5 of the bed tray of FIG. 1, with the legs folded for storage; and,

FIG. 9 is a section view taken as indicated in FIG. 5, and corresponding to FIG. 8, but with the legs folded down for supporting the bed tray on a resting surface (not shown).

**1 Claim, 5 Drawing Sheets**



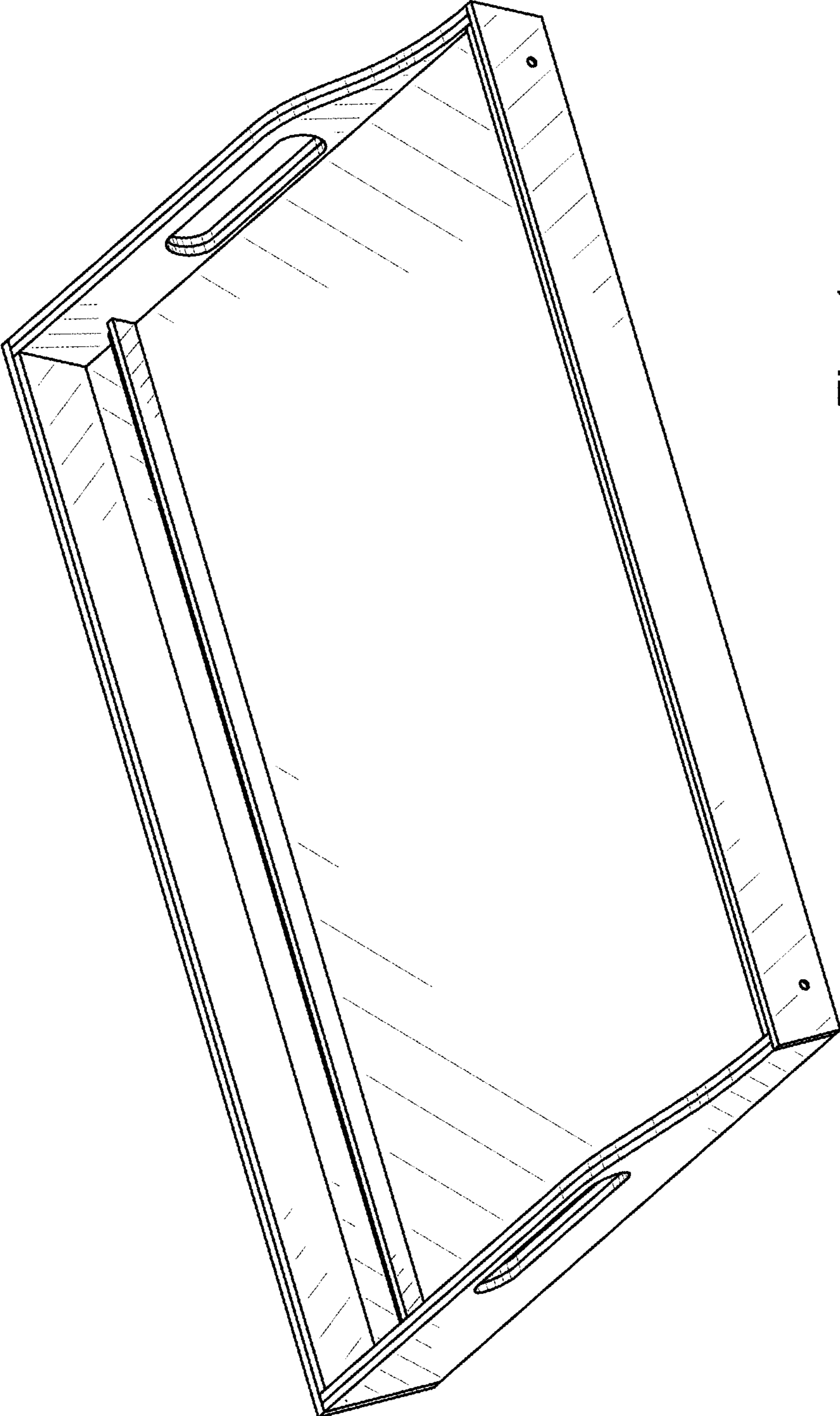


Fig. 1

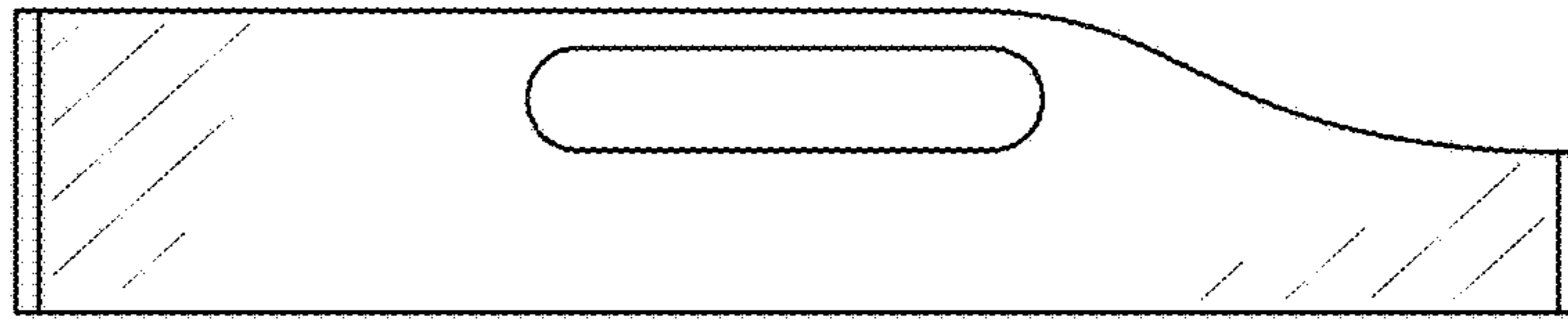


Fig. 2

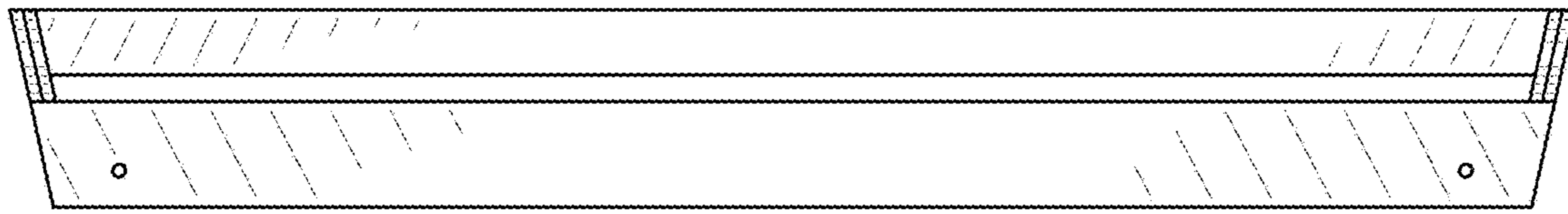


Fig. 3

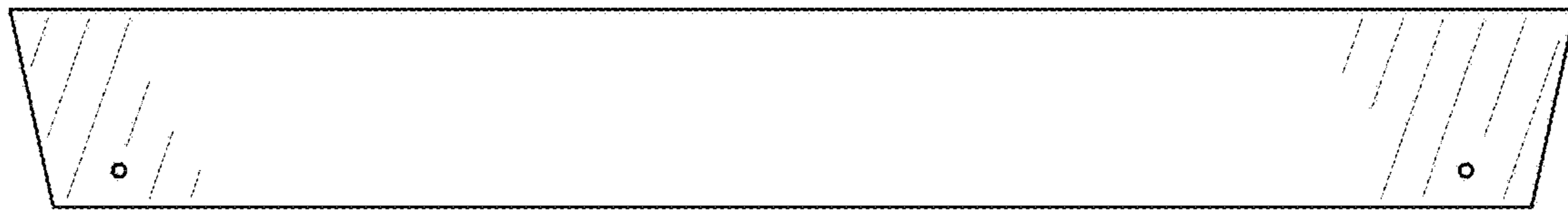


Fig. 4

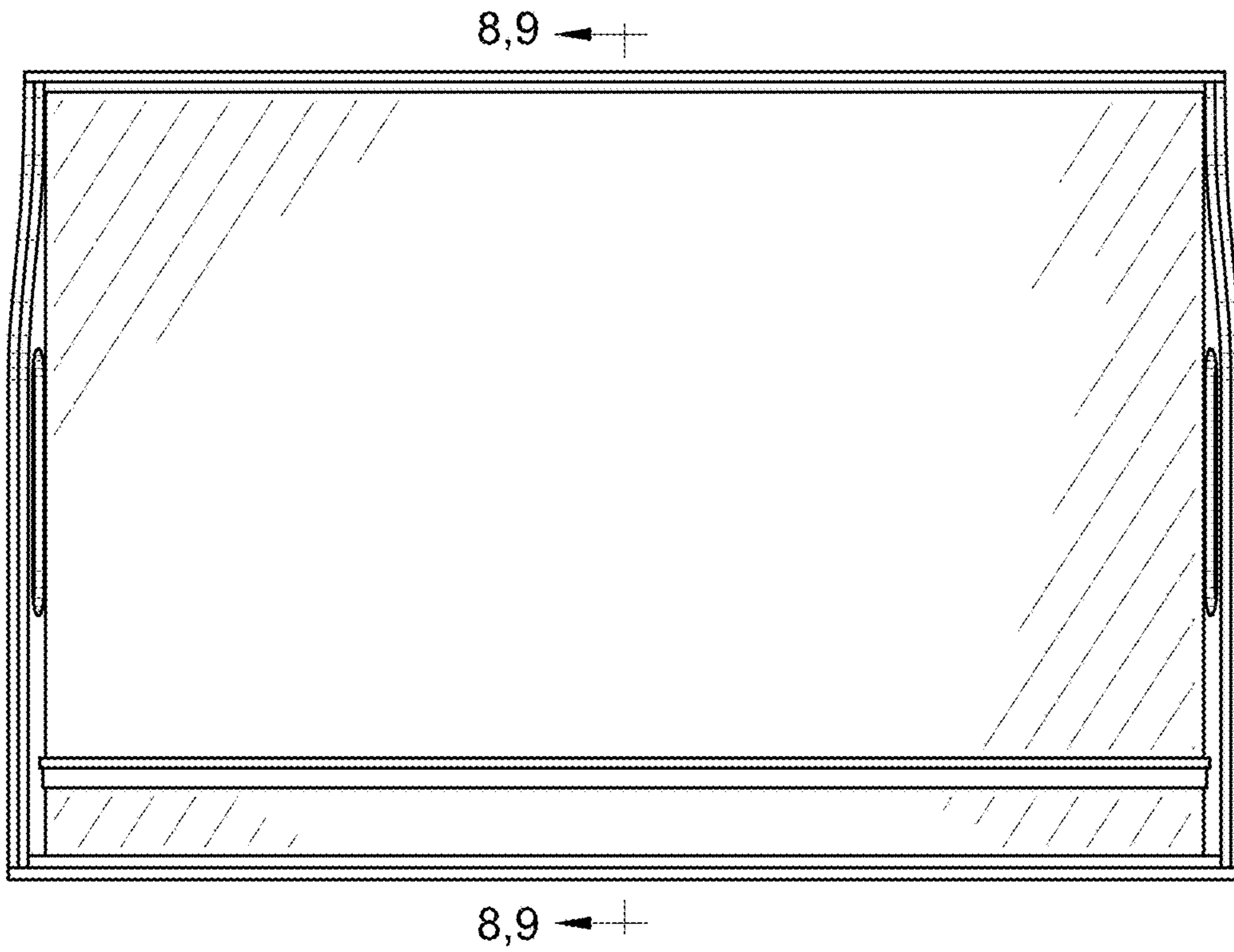


Fig. 5

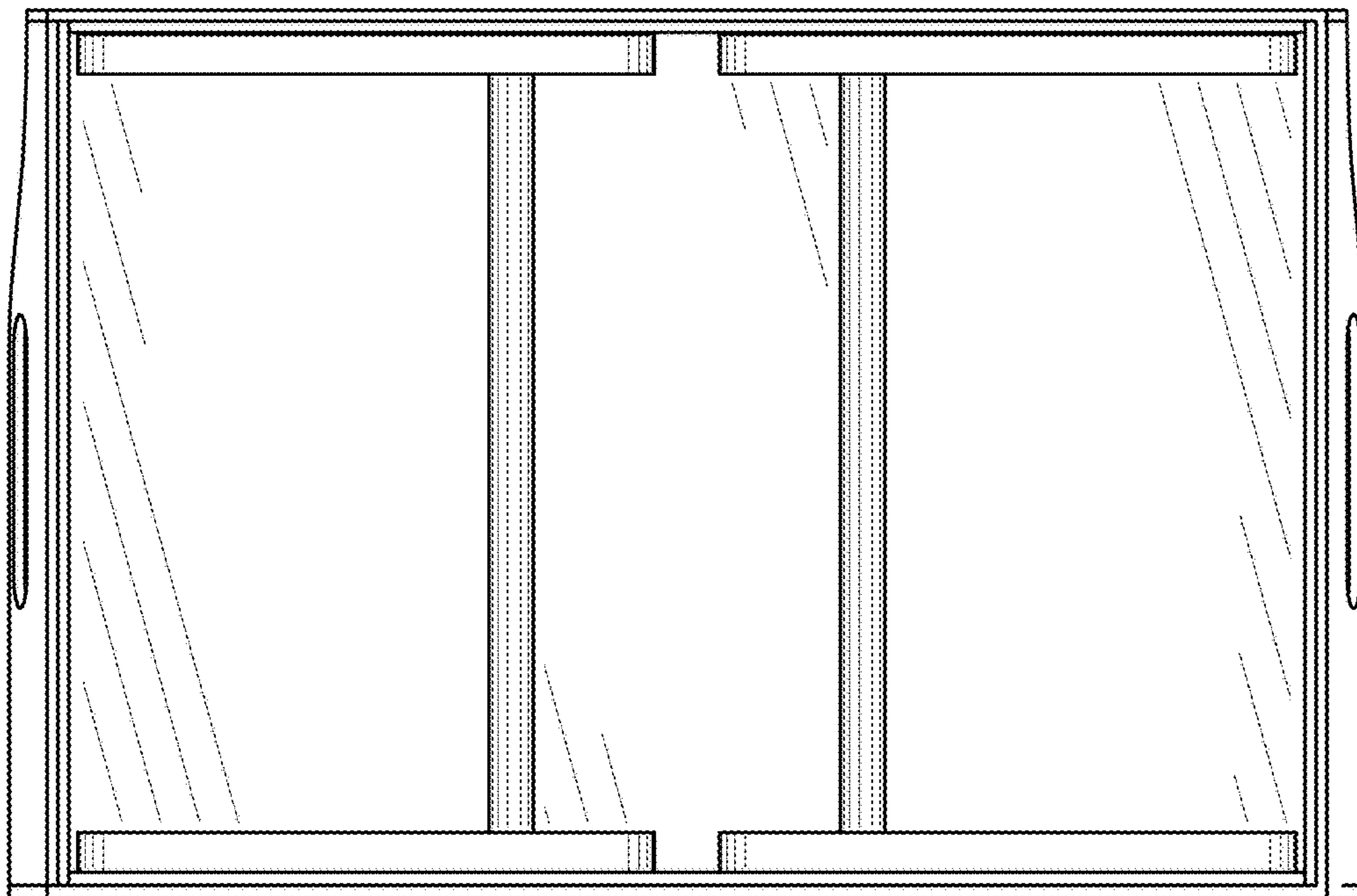


Fig. 6



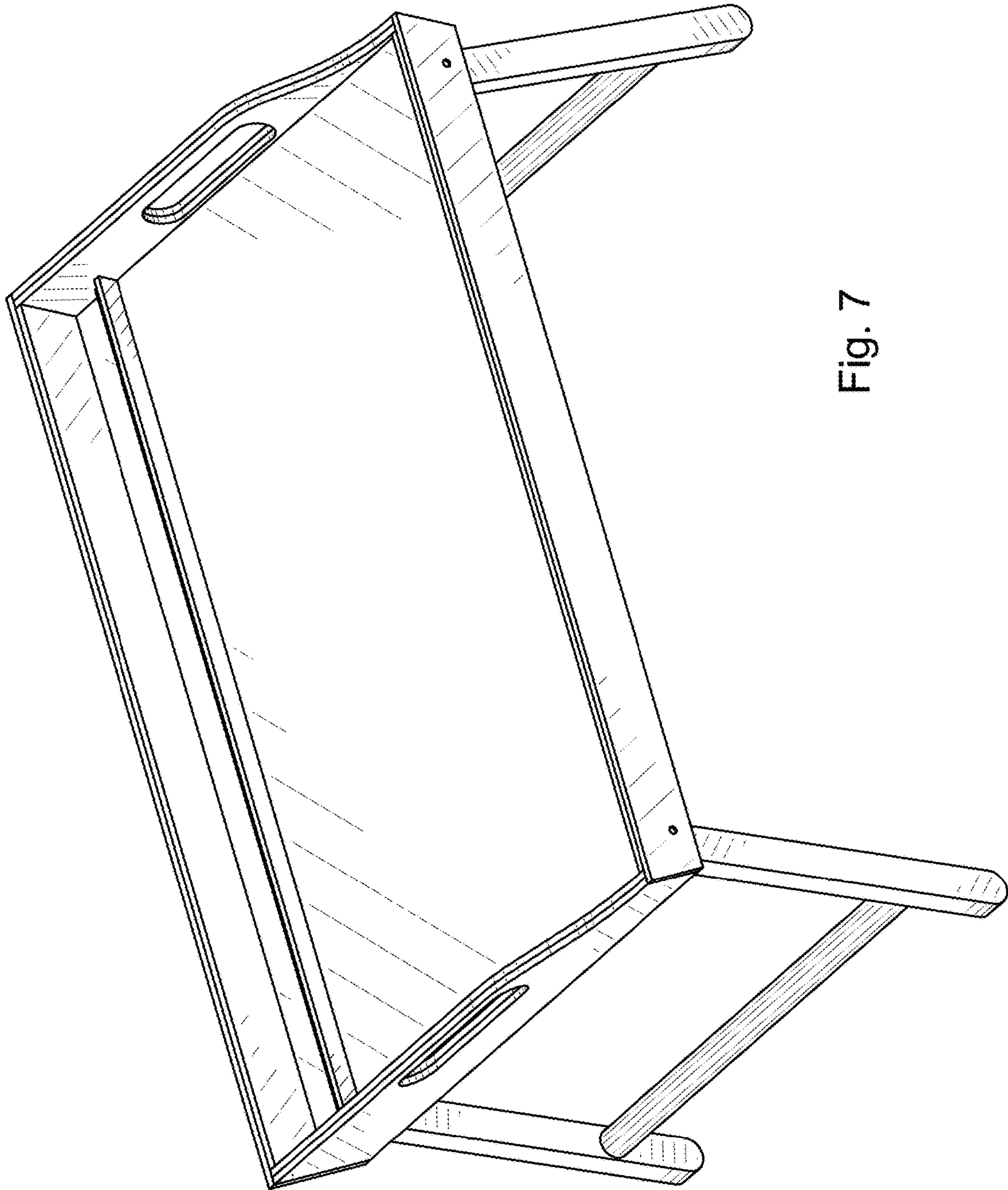


Fig. 7

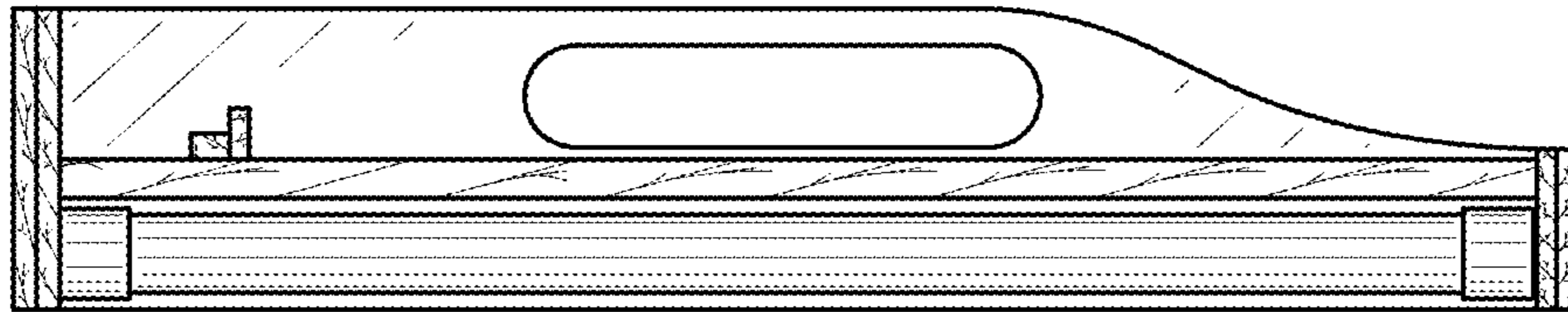


Fig. 8

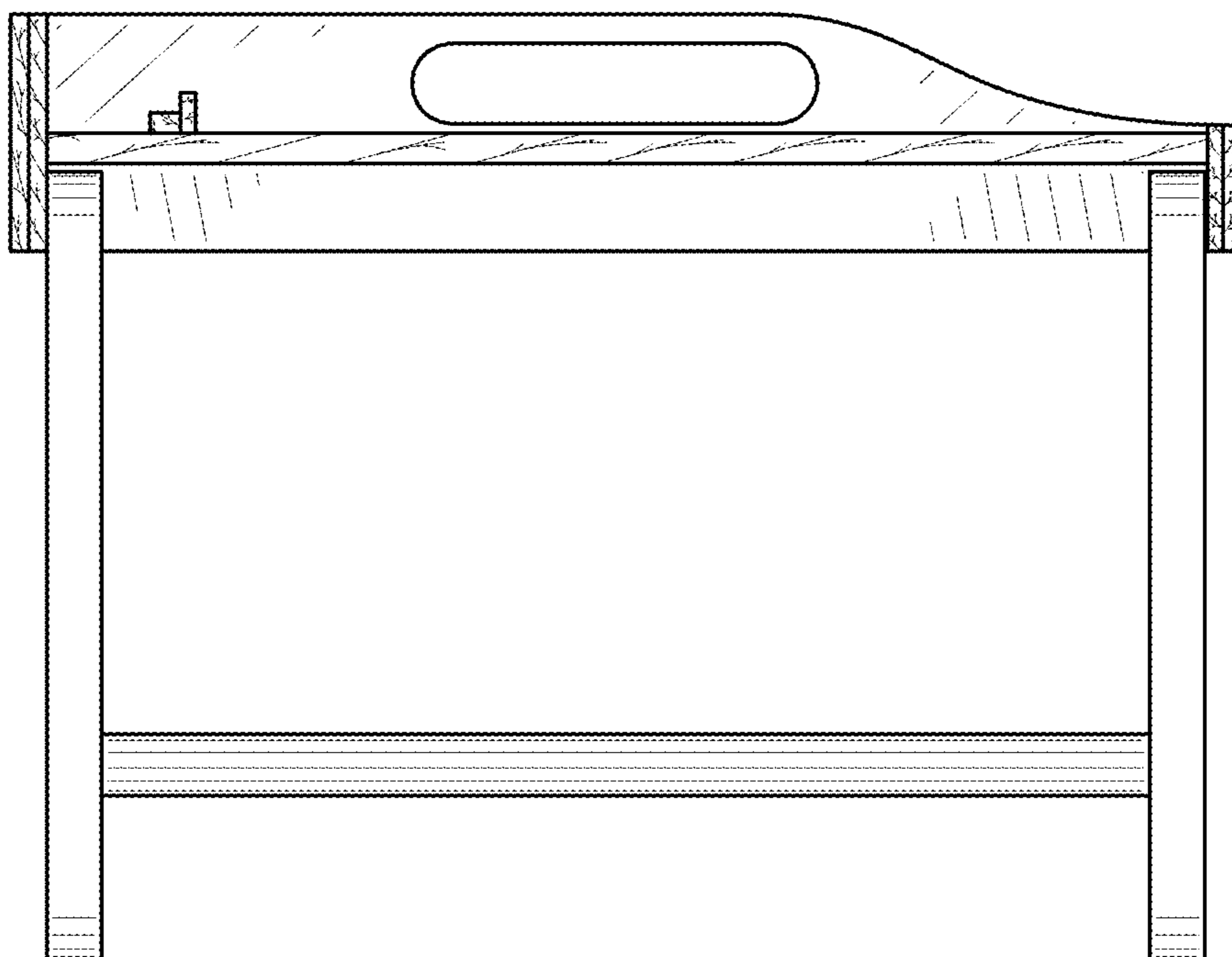


Fig. 9