



US00D835919S

(12) **United States Design Patent** (10) **Patent No.:** **US D835,919 S**
Yuan et al. (45) **Date of Patent:** **** Dec. 18, 2018**

(54) **DECK CHAIR**

(71) Applicant: **JARDER OUTDOOR NINGBO CO., LTD.**, Ningbo (CN)

(72) Inventors: **Junchao Yuan**, Ningbo (CN); **Ping Bao**, Ningbo (CN)

(73) Assignee: **Jarder Outdoor Ningbo Co., Ltd.**, Ningbo (CN)

(**) Term: **15 Years**

(21) Appl. No.: **29/579,046**

(22) Filed: **Sep. 27, 2016**

(30) **Foreign Application Priority Data**

Aug. 24, 2016 (CN) 2016 3 0418393

(51) **LOC (11) Cl.** **06-01**

(52) **U.S. Cl.**
USPC **D6/347**

(58) **Field of Classification Search**

USPC D6/334-336, 344, 347, 348, 361, 375,
D6/389, 716, 716.1, 716.2, 716.3, 716.4,
D6/716.8; D21/823

CPC A47C 3/0255; A47C 3/12; A47C 5/04;
A45F 3/22; A45F 3/24; A45F 3/26; A63G
9/00; A63G 9/12

See application file for complete search history.

(56) **References Cited**

U.S. PATENT DOCUMENTS

5,588,702 A * 12/1996 Litwin A47C 3/0255
297/172
D705,552 S * 5/2014 Zheng D6/347

D705,553 S * 5/2014 Zheng D6/347
D734,046 S * 7/2015 Shen D6/347
D734,619 S * 7/2015 Pan D6/347
D734,620 S * 7/2015 Fang D6/347
D752,351 S * 3/2016 Pan D6/347
D766,001 S * 9/2016 Stoter D6/347
D771,962 S * 11/2016 Weng D6/347
D774,786 S * 12/2016 Stoter D6/347
D778,076 S * 2/2017 Shen D6/347
D786,572 S * 5/2017 Shen D6/347
D799,838 S * 10/2017 Lv D6/347
D801,710 S * 11/2017 Weng D6/347

* cited by examiner

Primary Examiner — Mimosa De

(74) *Attorney, Agent, or Firm* — Wang Law Firm, Inc.

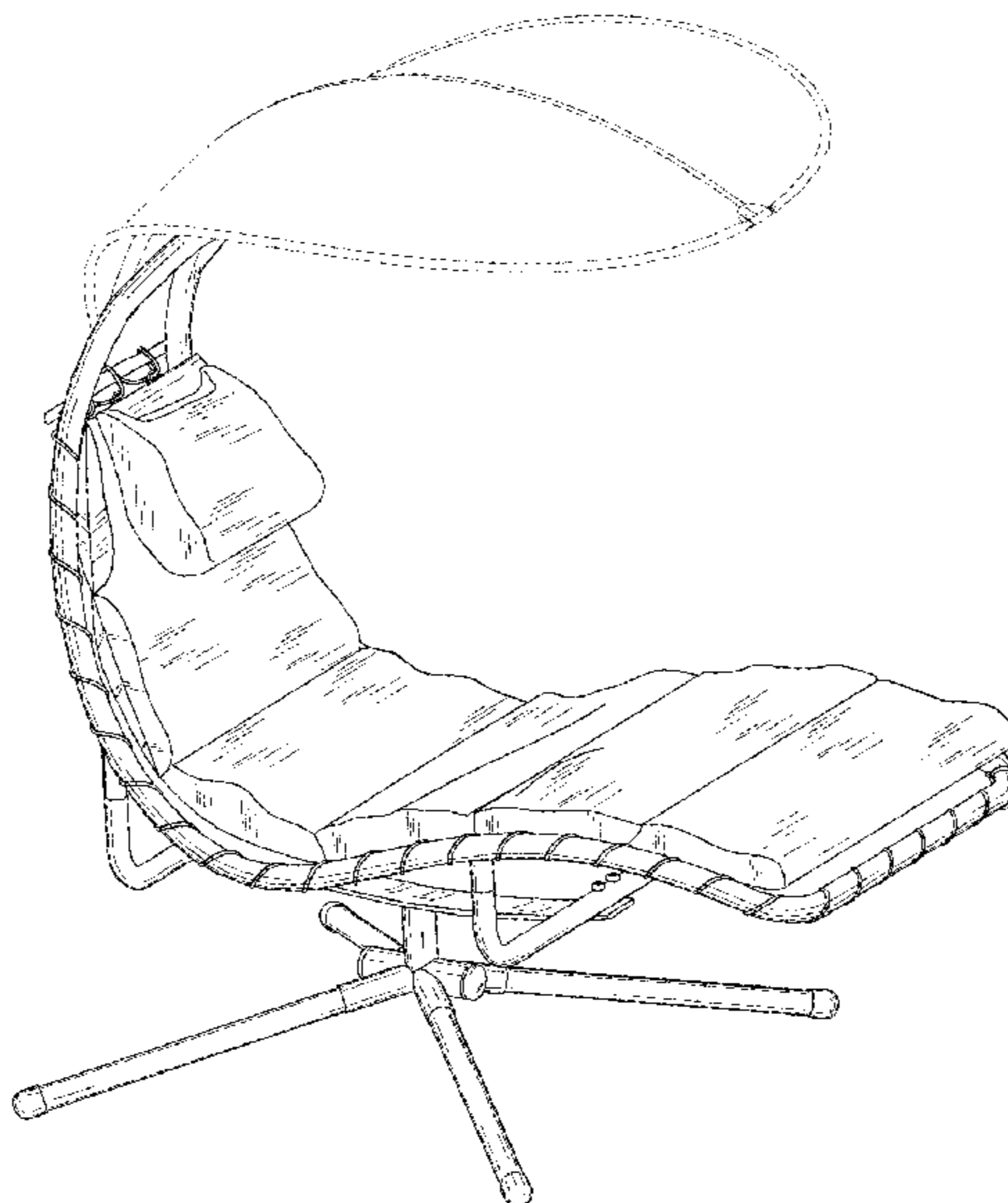
(57) **CLAIM**

The ornamental design for a deck chair, as shown and described.

DESCRIPTION

FIG. 1 is a left view showing my new design;
FIG. 2 is a front view thereof;
FIG. 3 is a rear view thereof;
FIG. 4 is a bottom view thereof;
FIG. 5 is a top view thereof;
FIG. 6 is a right view thereof; and,
FIG. 7 is a perspective view thereof.
The broken lines shown on the drawings are for the purpose of illustration and form no part of the claimed design.

1 Claim, 6 Drawing Sheets



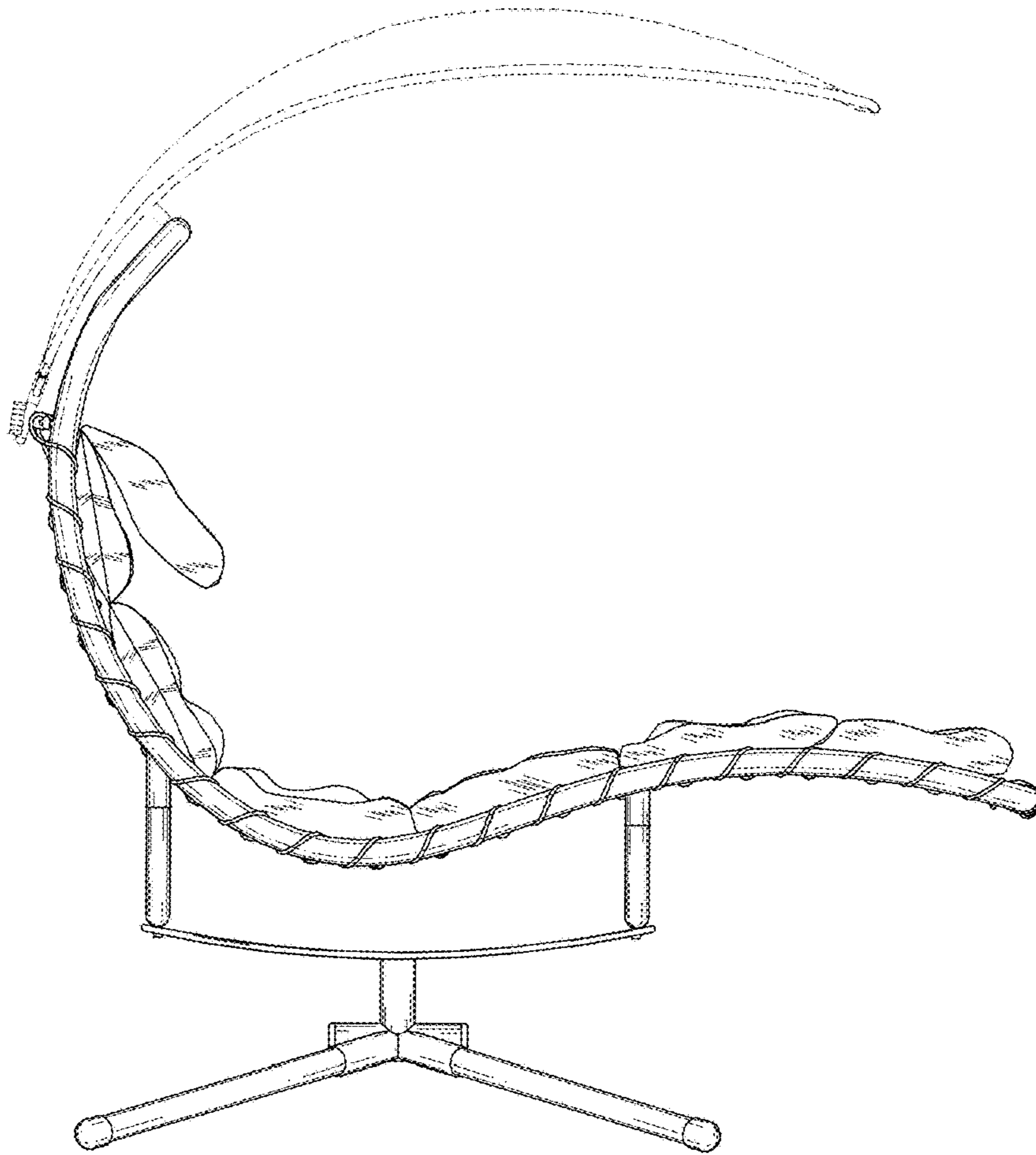


FIG.1

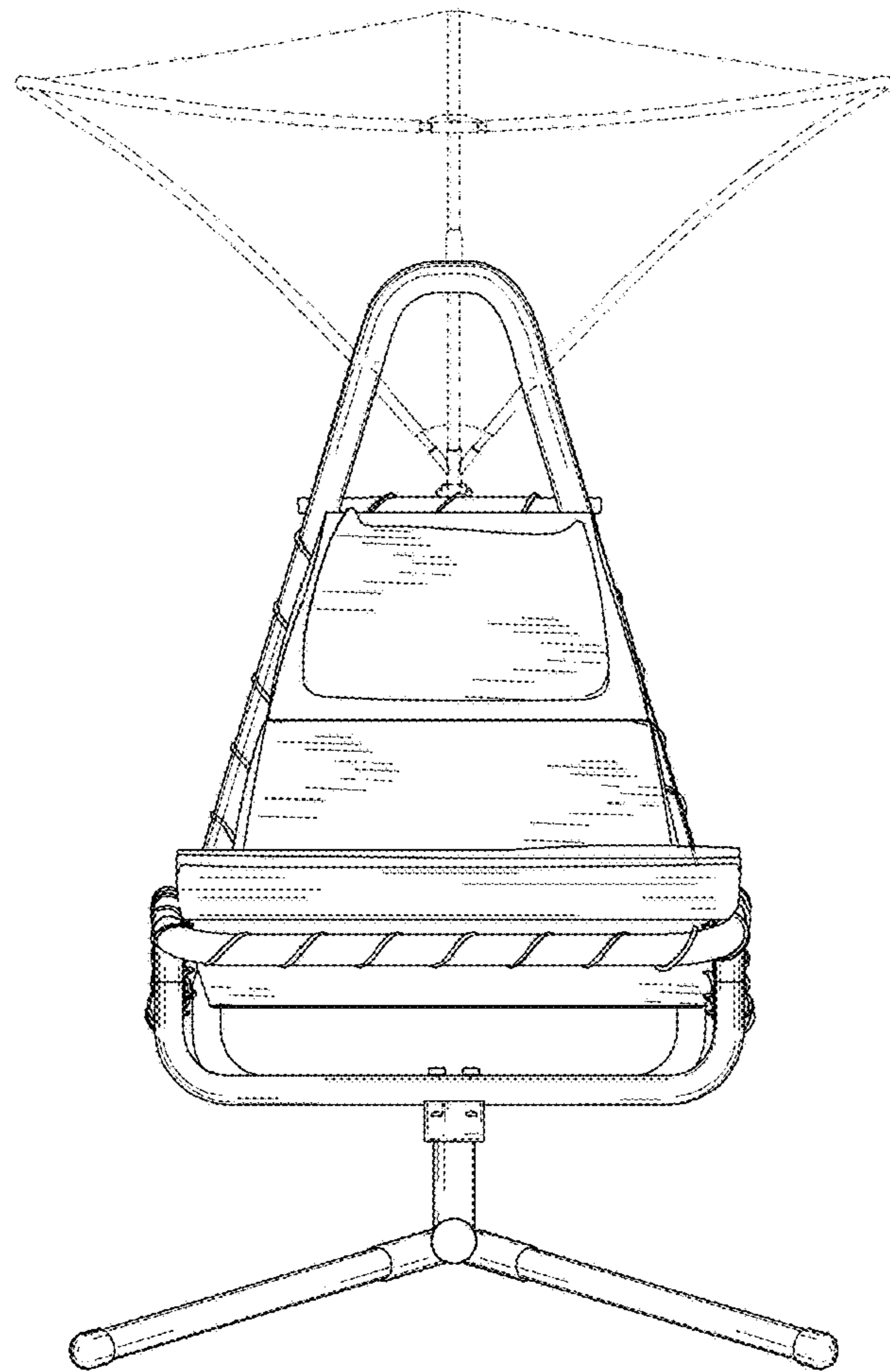


FIG. 2

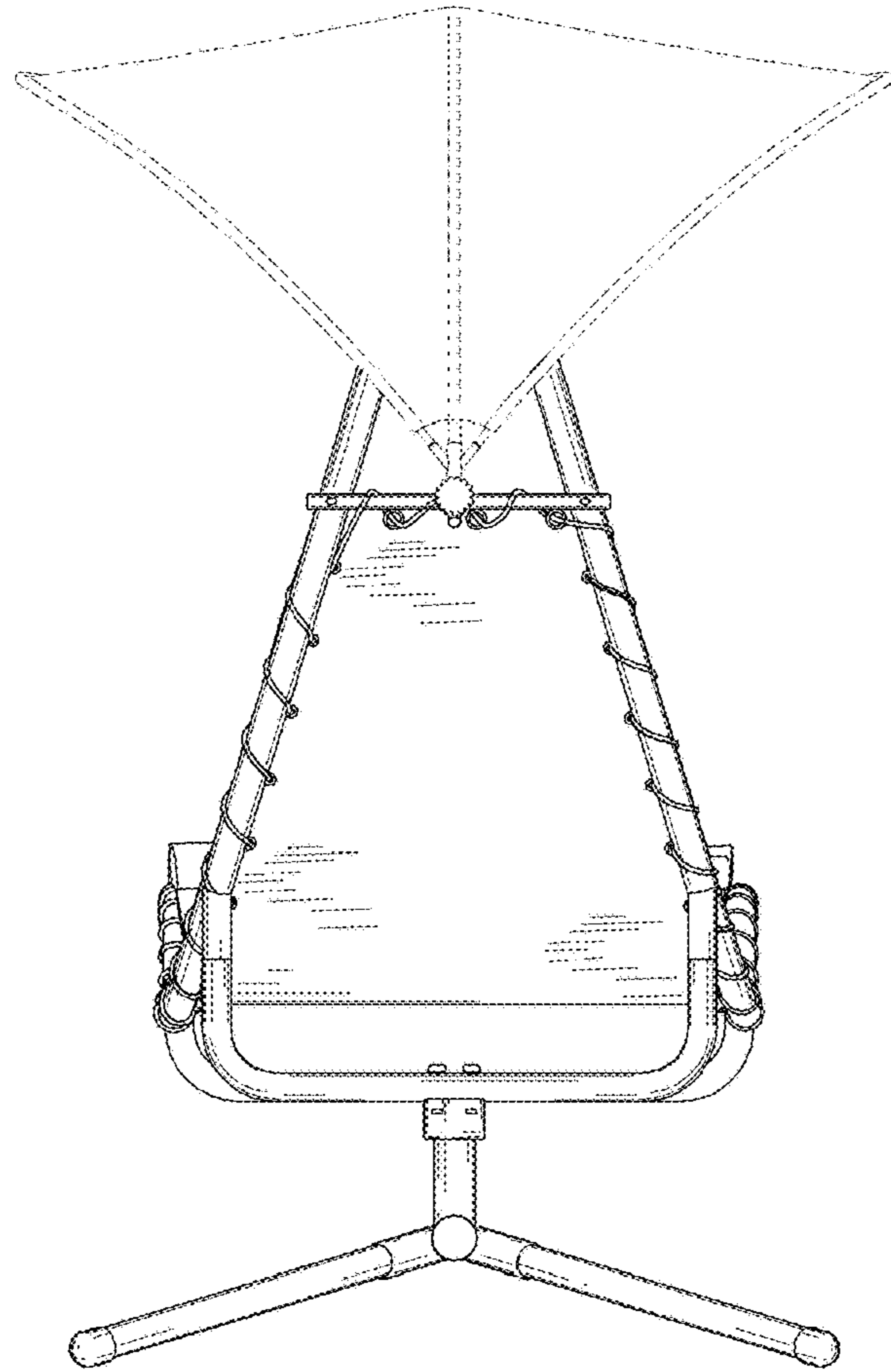


FIG.3

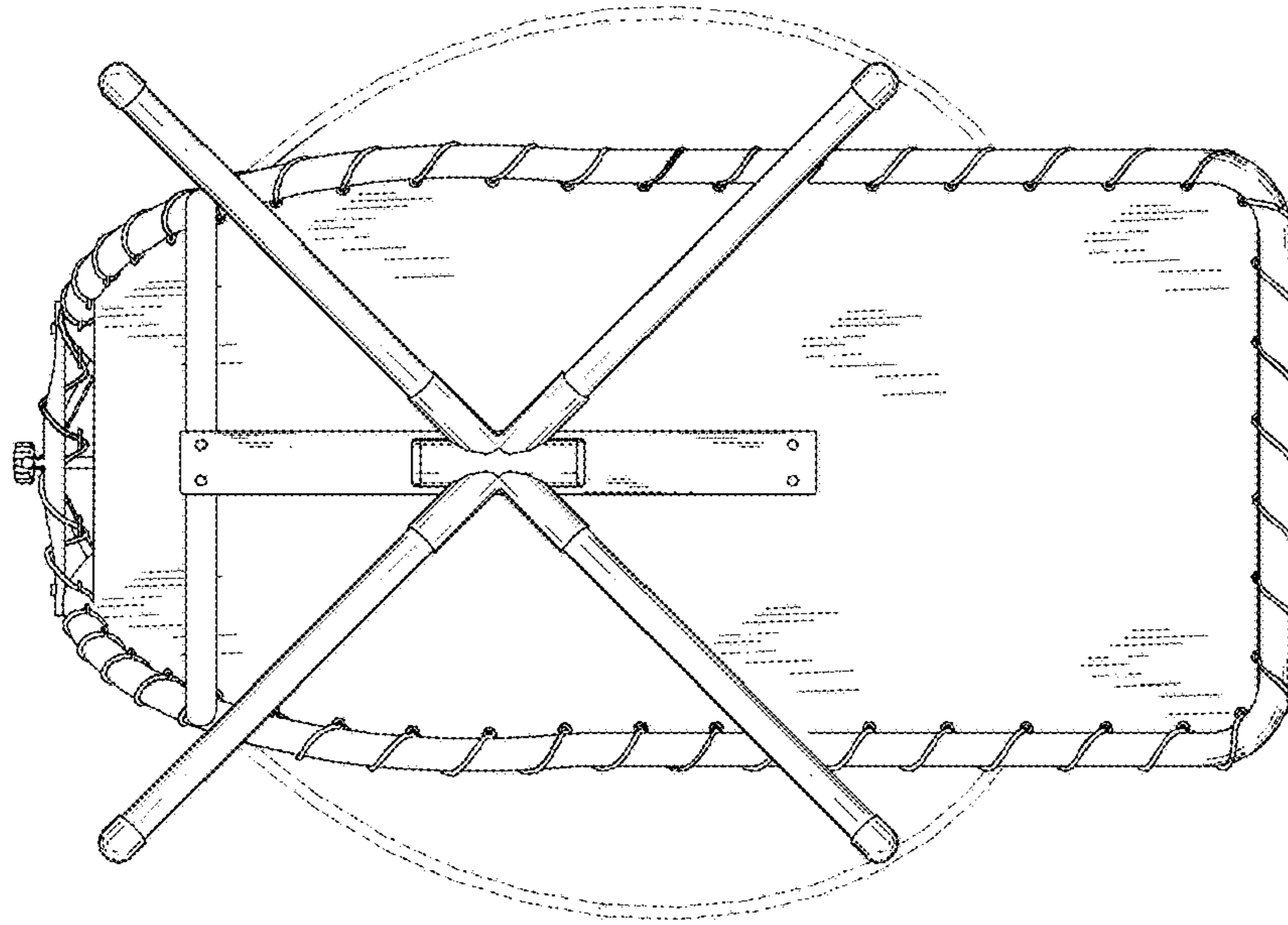


FIG. 4

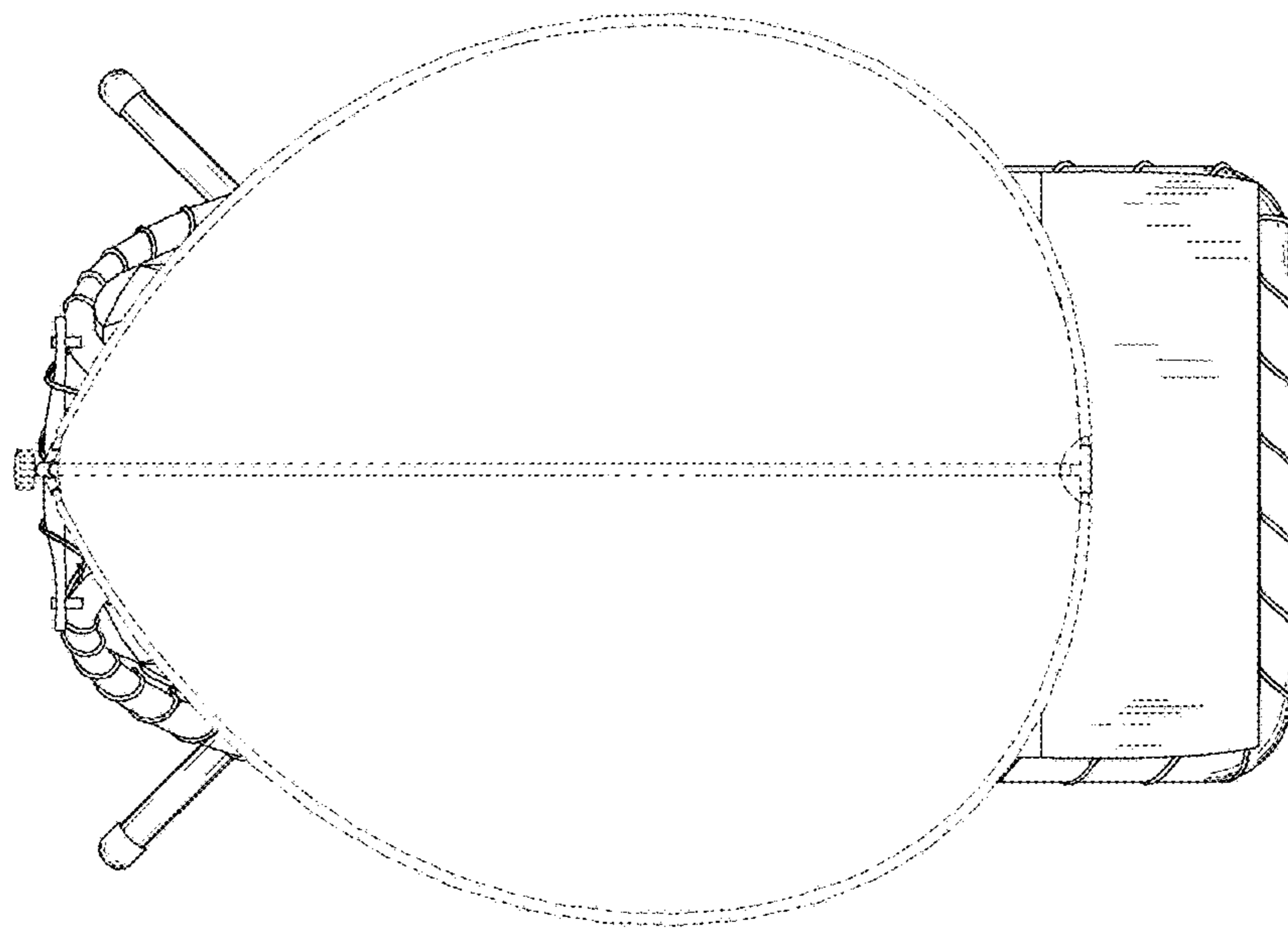


FIG. 5

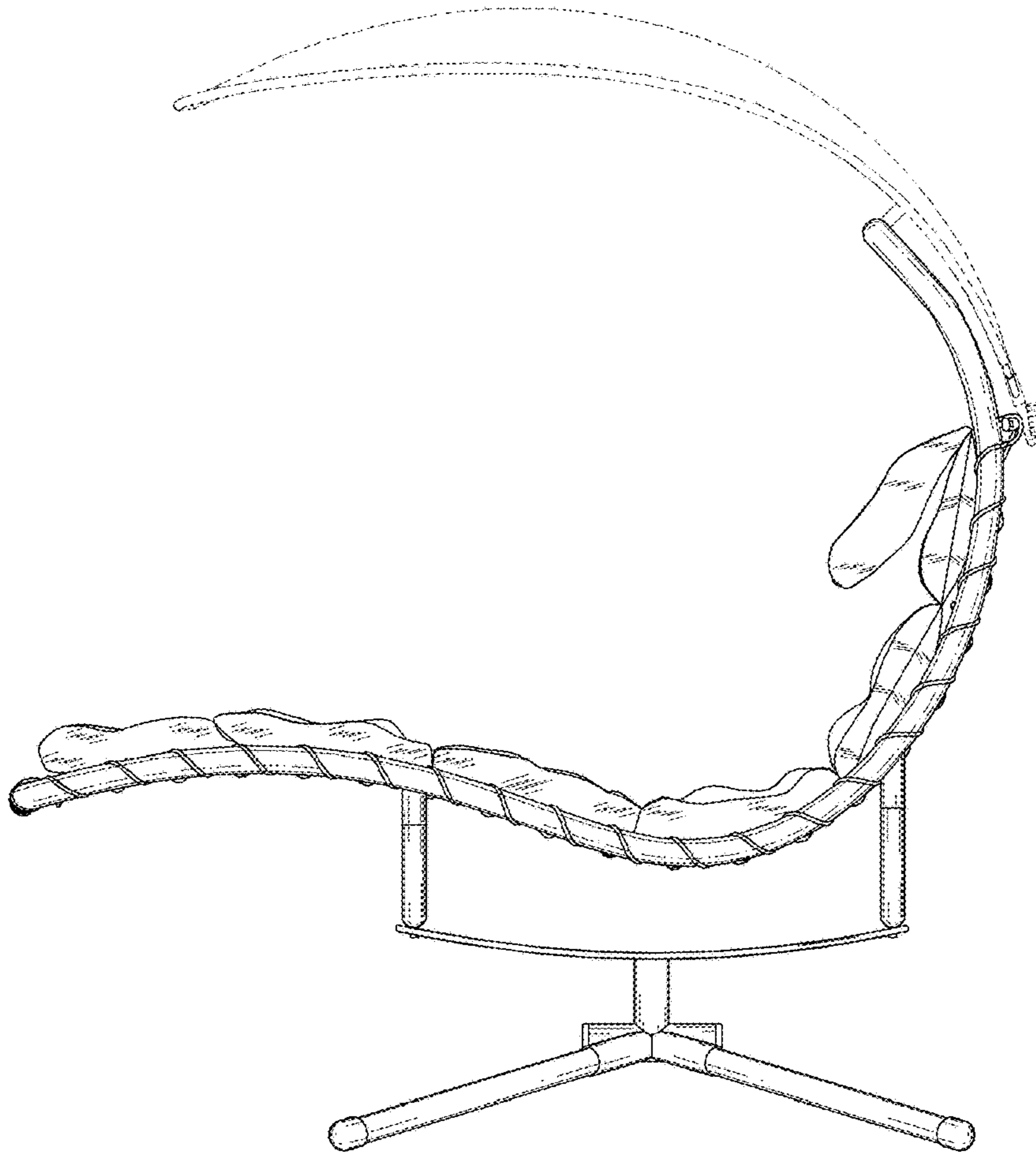


FIG. 6

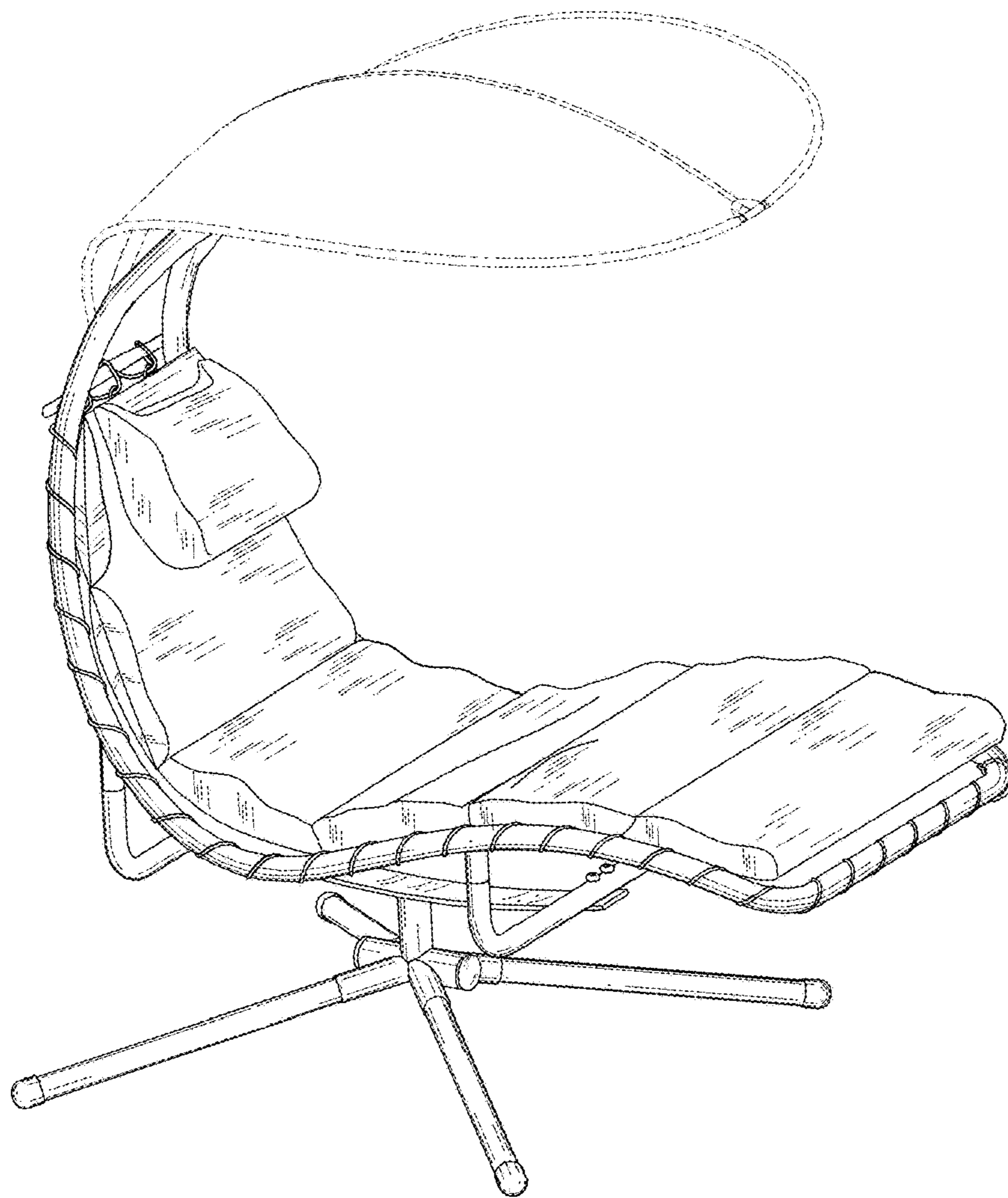


FIG. 7