



US00D835918S

(12) **United States Design Patent**  
**Lattorre**

(10) **Patent No.:** **US D835,918 S**

(45) **Date of Patent:** **\*\* Dec. 18, 2018**

(54) **FRAME**

(71) Applicant: **Dyan Lattorre**, Columbus, OH (US)

(72) Inventor: **Dyan Lattorre**, Columbus, OH (US)

(\*\*) Term: **15 Years**

(21) Appl. No.: **29/611,174**

(22) Filed: **Jul. 19, 2017**

(51) **LOC (11) Cl.** ..... **06-07**

(52) **U.S. Cl.**  
USPC ..... **D6/300**

(58) **Field of Classification Search**  
USPC ..... D6/300-314  
CPC ... A47G 1/00; A47G 1/02; A47G 1/04; A47G  
1/06; A47G 1/0622; A47G 1/0627; A47G  
1/0633  
See application file for complete search history.

(56) **References Cited**

**U.S. PATENT DOCUMENTS**

|           |     |         |           |       |                      |
|-----------|-----|---------|-----------|-------|----------------------|
| 3,647,283 | A * | 3/1972  | Castanis  | ..... | G02B 5/08<br>359/627 |
| D225,476  | S * | 12/1972 | Pavenick  | ..... | D6/308               |
| D248,711  | S * | 8/1978  | Tougas    | ..... | D6/300               |
| D252,832  | S * | 9/1979  | Bowser    | ..... | D26/85               |
| D308,767  | S * | 6/1990  | Hsu       | ..... | D6/310               |
| D448,308  | S * | 9/2001  | Weinstein | ..... | D10/18               |
| D460,865  | S * | 7/2002  | Keller    | ..... | D6/302               |

|          |     |         |             |       |        |
|----------|-----|---------|-------------|-------|--------|
| D479,561 | S * | 9/2003  | Meyer       | ..... | D20/22 |
| D505,553 | S * | 5/2005  | Mohundro    | ..... | D6/300 |
| D532,980 | S * | 12/2006 | Hutton      | ..... | D6/300 |
| D664,776 | S * | 8/2012  | Pitts Brown | ..... | D6/310 |
| D681,738 | S * | 5/2013  | Richmond    | ..... | D20/42 |
| D681,739 | S * | 5/2013  | Richmond    | ..... | D20/42 |
| D698,160 | S * | 1/2014  | Spall       | ..... | D6/303 |

\* cited by examiner

*Primary Examiner* — Deanna L Pratt

(74) *Attorney, Agent, or Firm* — Miracle IP; Bryce D. Miracle

(57) **CLAIM**

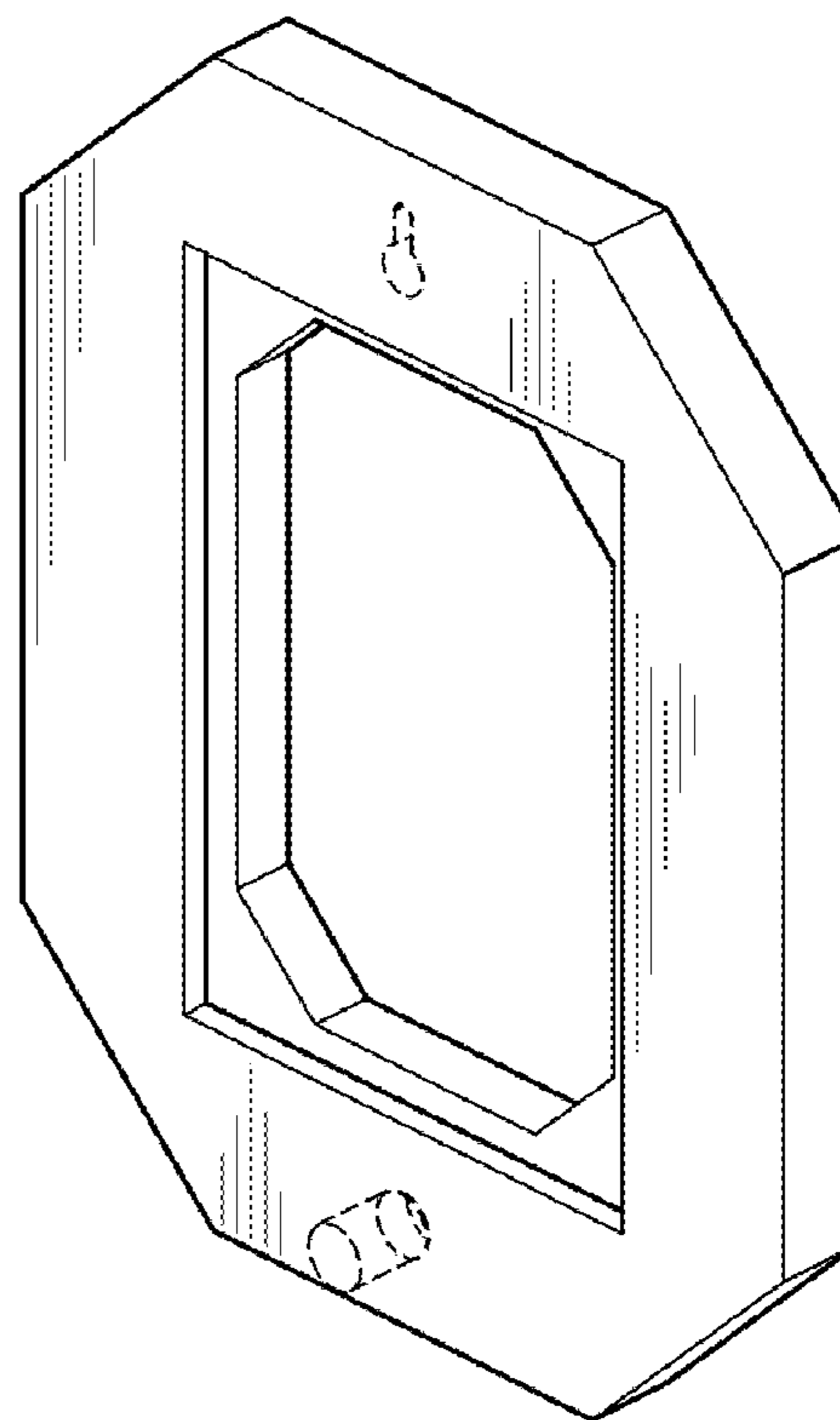
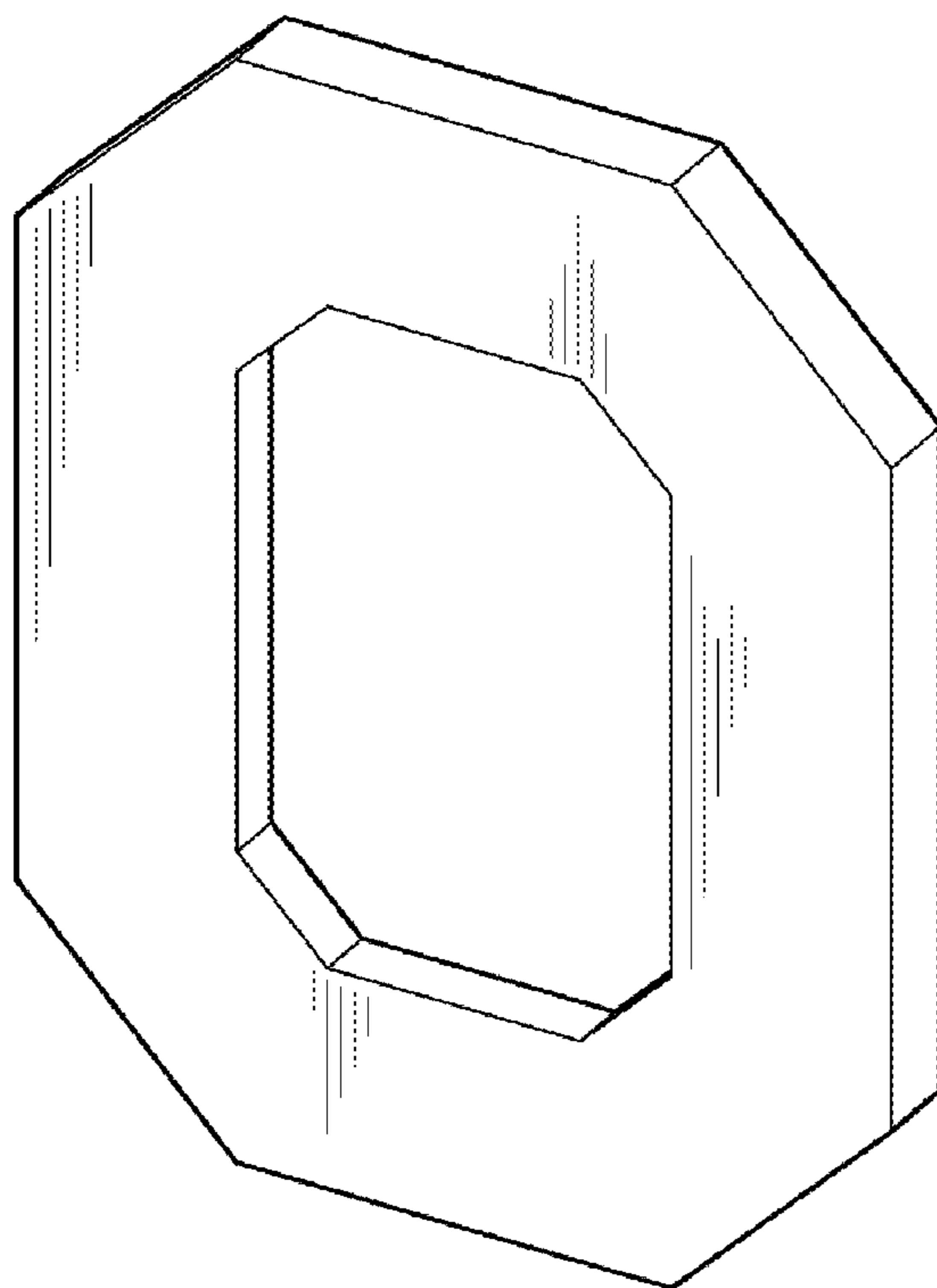
The ornamental design for a frame, substantially as shown and described.

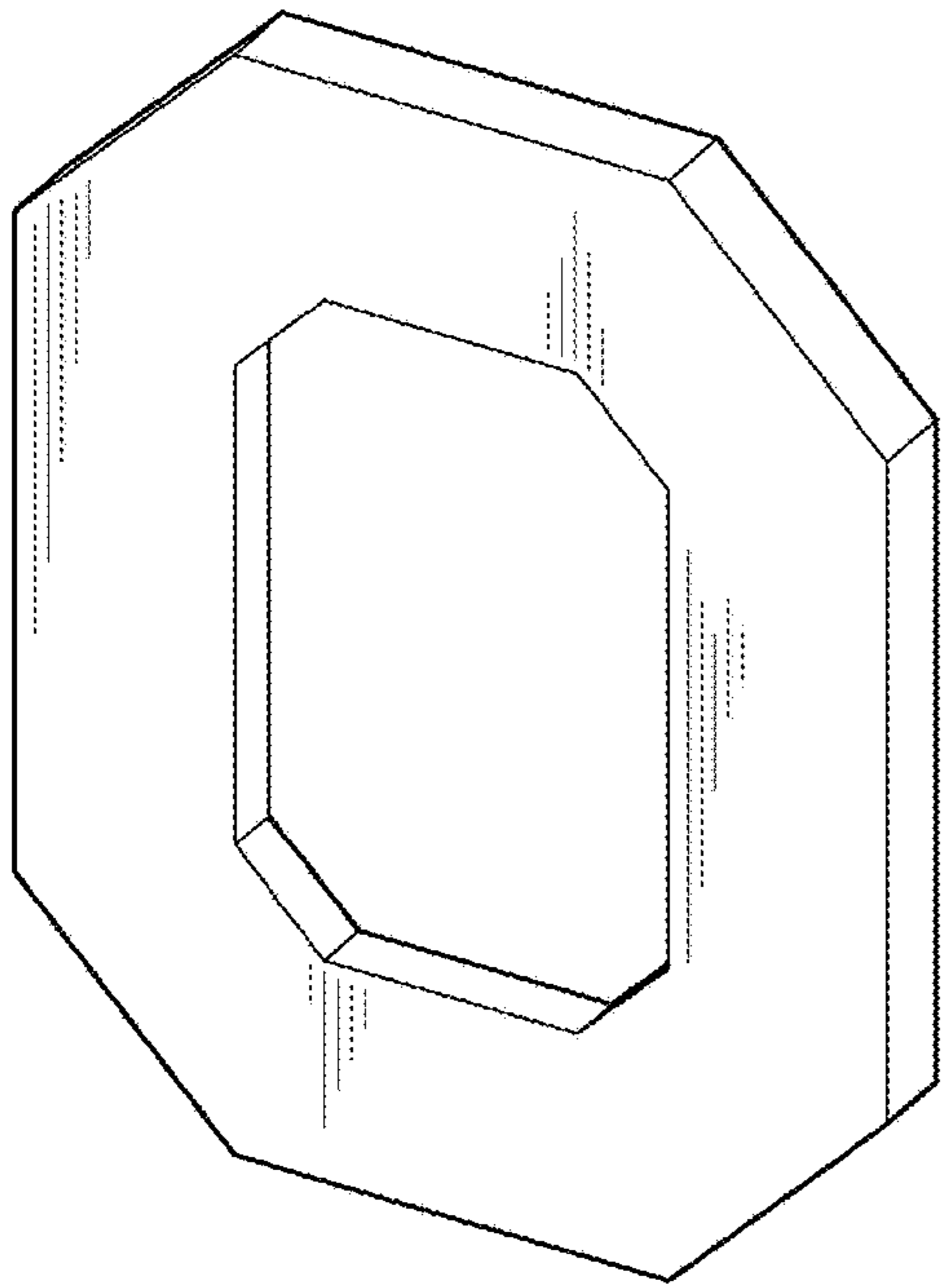
**DESCRIPTION**

FIG. 1 is a front perspective view of a version of the frame showing the new design;  
FIG. 2 is a rear perspective view thereof;  
FIG. 3 is front elevation view thereof;  
FIG. 4 is a rear elevation view thereof;  
FIG. 5 is a top plan view thereof;  
FIG. 6 is a right side elevation view thereof; and,  
FIG. 7 is a left side elevation view thereof.

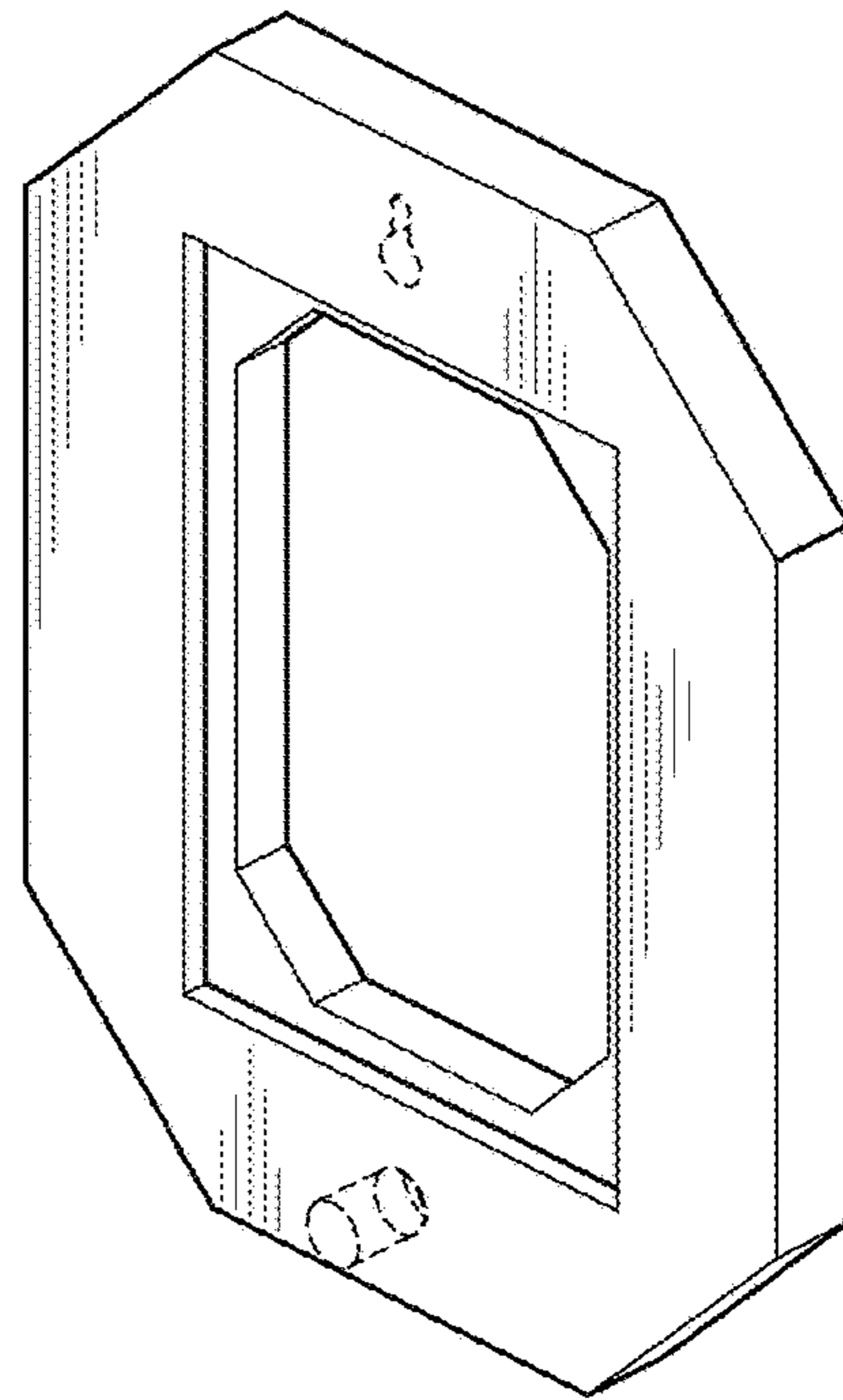
The broken lines in the drawings are for purposes of illustrating environmental subject matter that forms no part of the claimed design. The unshown bottom plan view is the mirror image of FIG. 5.

**1 Claim, 2 Drawing Sheets**

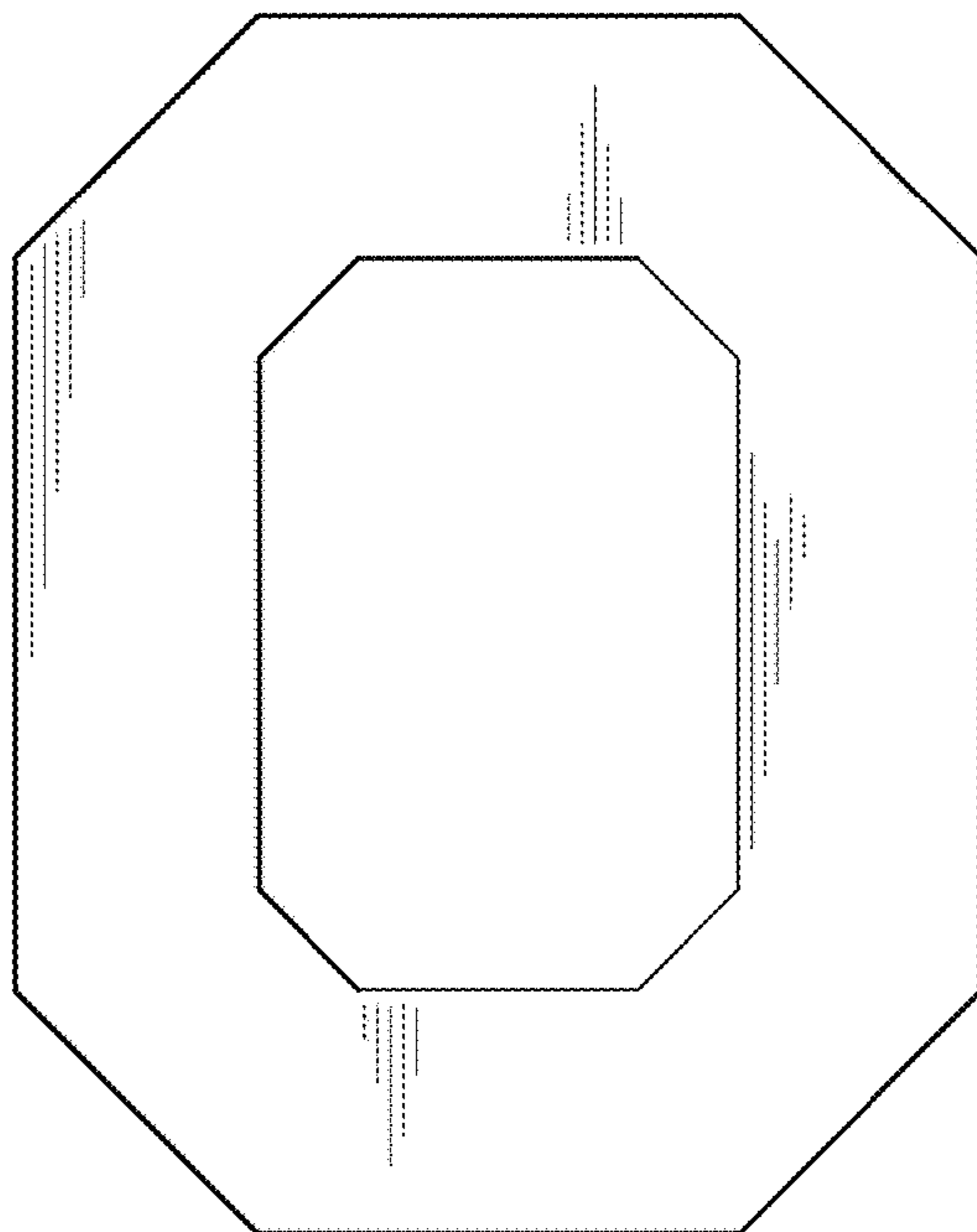




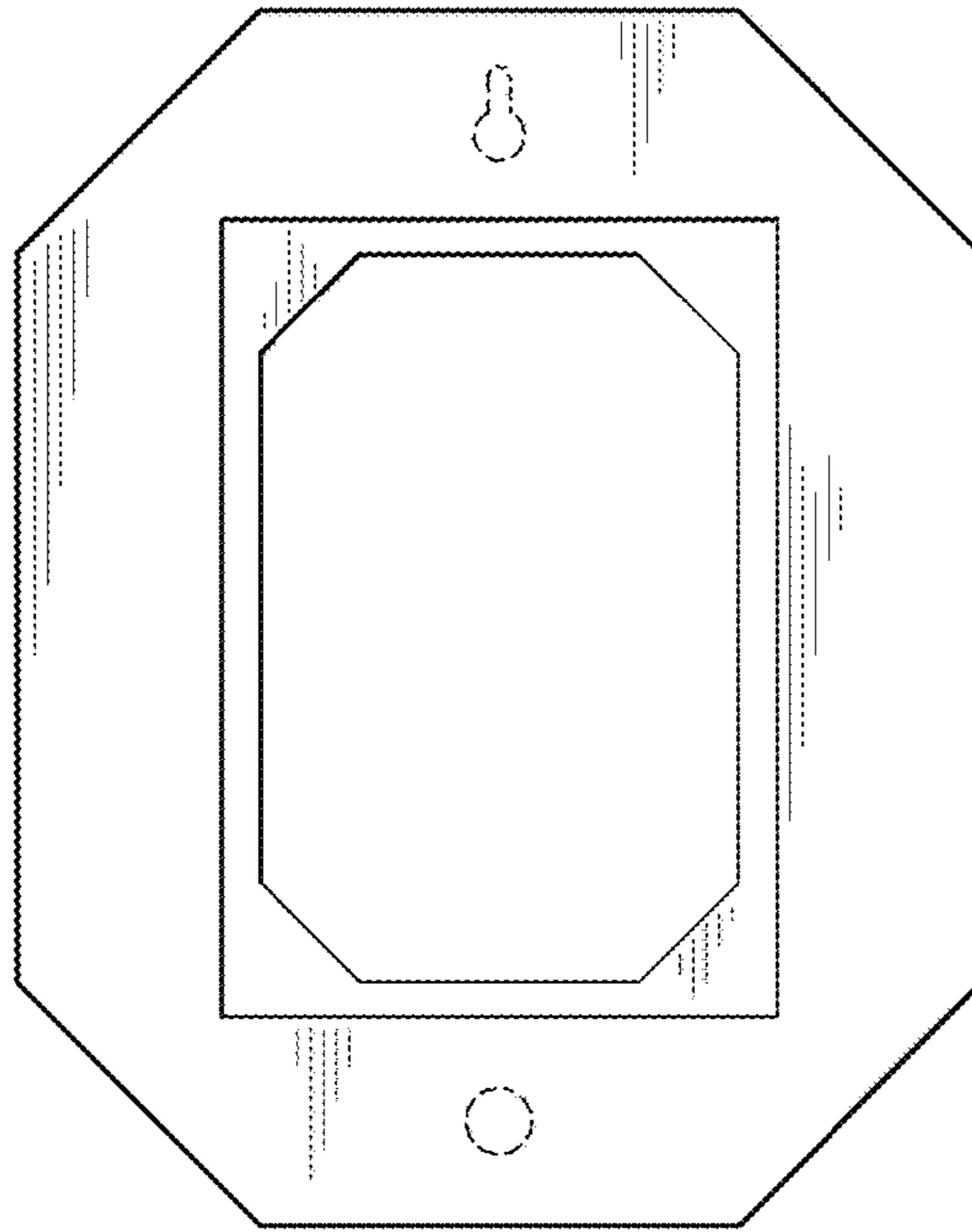
**FIG. 1**



**FIG. 2**



**FIG. 3**



**FIG. 4**



**FIG. 5**



**FIG. 6**



**FIG. 7**