



US00D835914S

(12) **United States Design Patent**
Fusi

(10) **Patent No.:** **US D835,914 S**

(45) **Date of Patent:** **** Dec. 18, 2018**

(54) **CLASP FOR BAG**

(71) Applicant: **FURLA S.p.A.**, San Lazzaro di Savena (IT)

(72) Inventor: **Fabio Fusi**, Tavarnelle Val di Pesa (IT)

(73) Assignee: **FURLA S.p.A.** (IT)

(**) Term: **15 Years**

(21) Appl. No.: **29/612,872**

(22) Filed: **Aug. 4, 2017**

(30) **Foreign Application Priority Data**

Feb. 6, 2017 (EM) 003741685

(51) **LOC (11) Cl.** **03-01**

(52) **U.S. Cl.**
USPC **D3/318**

(58) **Field of Classification Search**
USPC D3/232, 243, 318
CPC A45C 1/024; A45C 3/06; A45C 11/18;
A45C 11/182
See application file for complete search history.

(56) **References Cited**

U.S. PATENT DOCUMENTS

D524,045 S * 7/2006 Handley D3/243
D539,533 S * 4/2007 Fusi D3/243

D581,664 S * 12/2008 Gerbi D3/243
D588,359 S * 3/2009 Gonzalez D3/243
D609,468 S * 2/2010 Dolce D3/243
D726,409 S * 4/2015 Fusi D3/243
D780,448 S * 3/2017 Nair D3/243
D789,684 S * 6/2017 Michele D3/232
D800,449 S * 10/2017 Nair D3/243

* cited by examiner

Primary Examiner — Holly H Baynham

(74) *Attorney, Agent, or Firm* — Saidman DesignLaw Group, LLC

(57) **CLAIM**

The ornamental design for a clasp for bag, as shown and described.

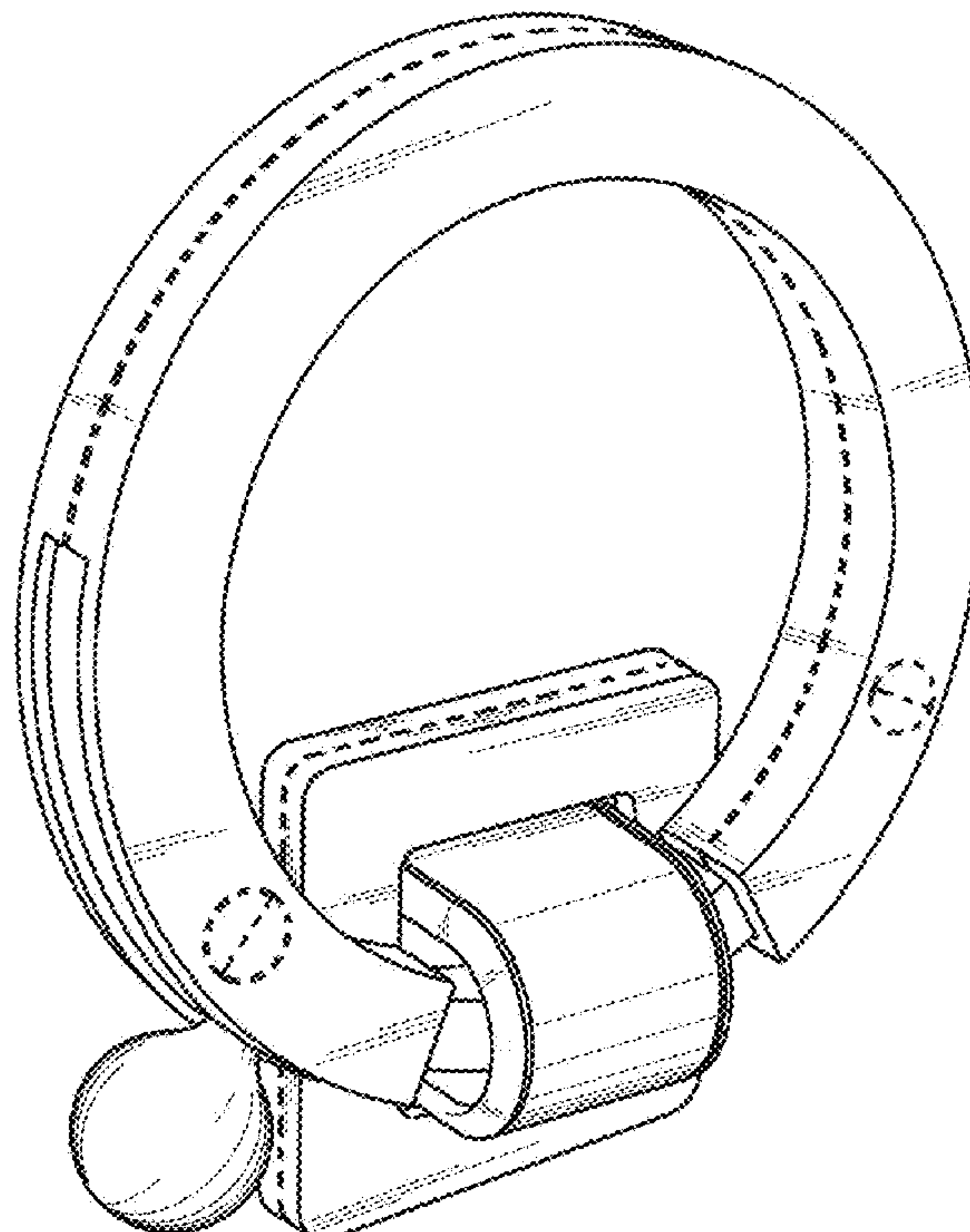
DESCRIPTION

FIG. 1 is a perspective view of a clasp for bag showing my new design;
FIG. 2 is a front view thereof;
FIG. 3 is a rear view thereof;
FIG. 4 is a right side view thereof;
FIG. 5 is a left side view thereof;
FIG. 6 is a top view thereof; and,
FIG. 7 is a bottom view thereof.

The drawings include surface shading which represents contour and not surface ornamentation.

The broken lines illustrate structure or features which form no part of the claimed design.

1 Claim, 7 Drawing Sheets



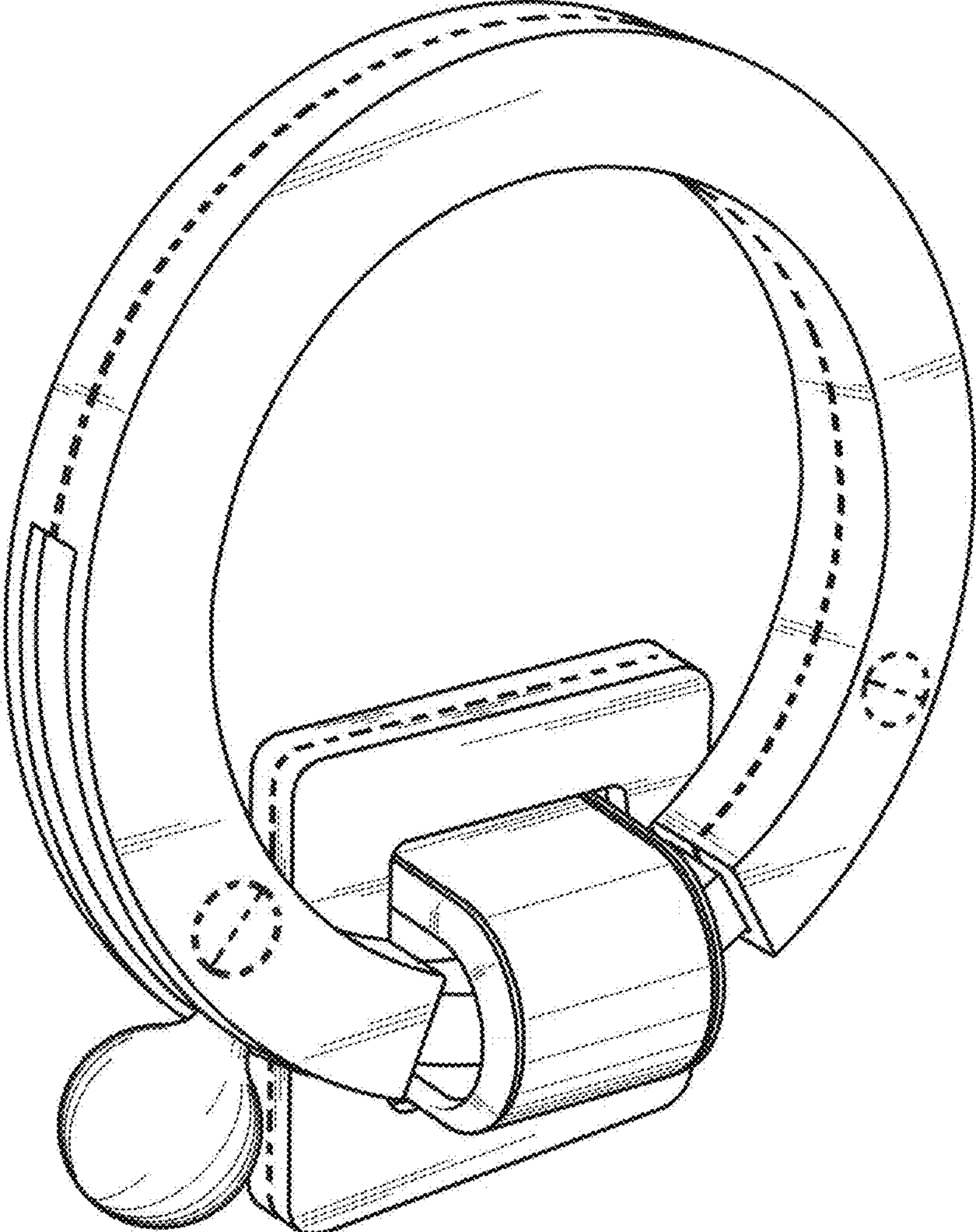


FIG.1

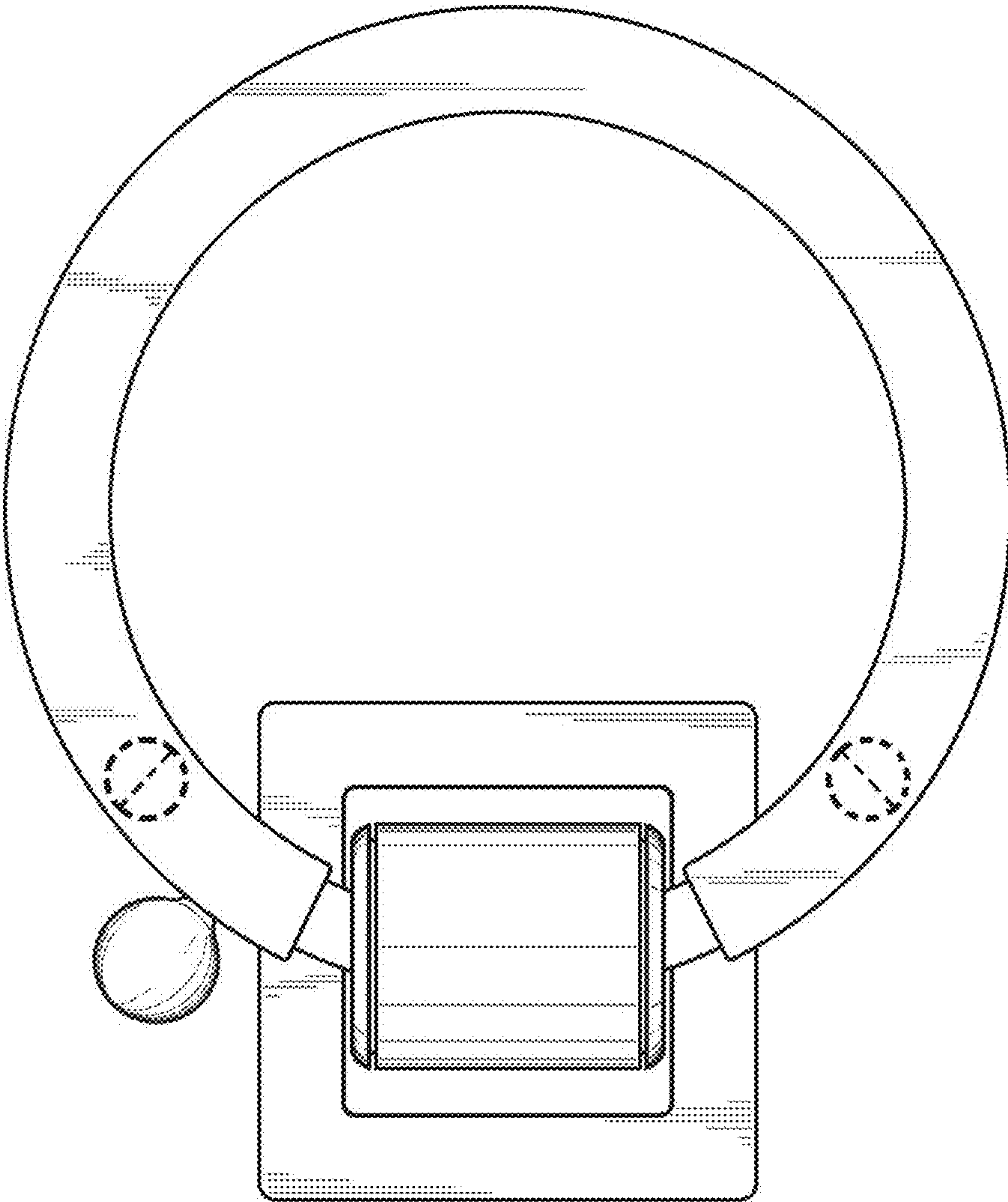


FIG.2

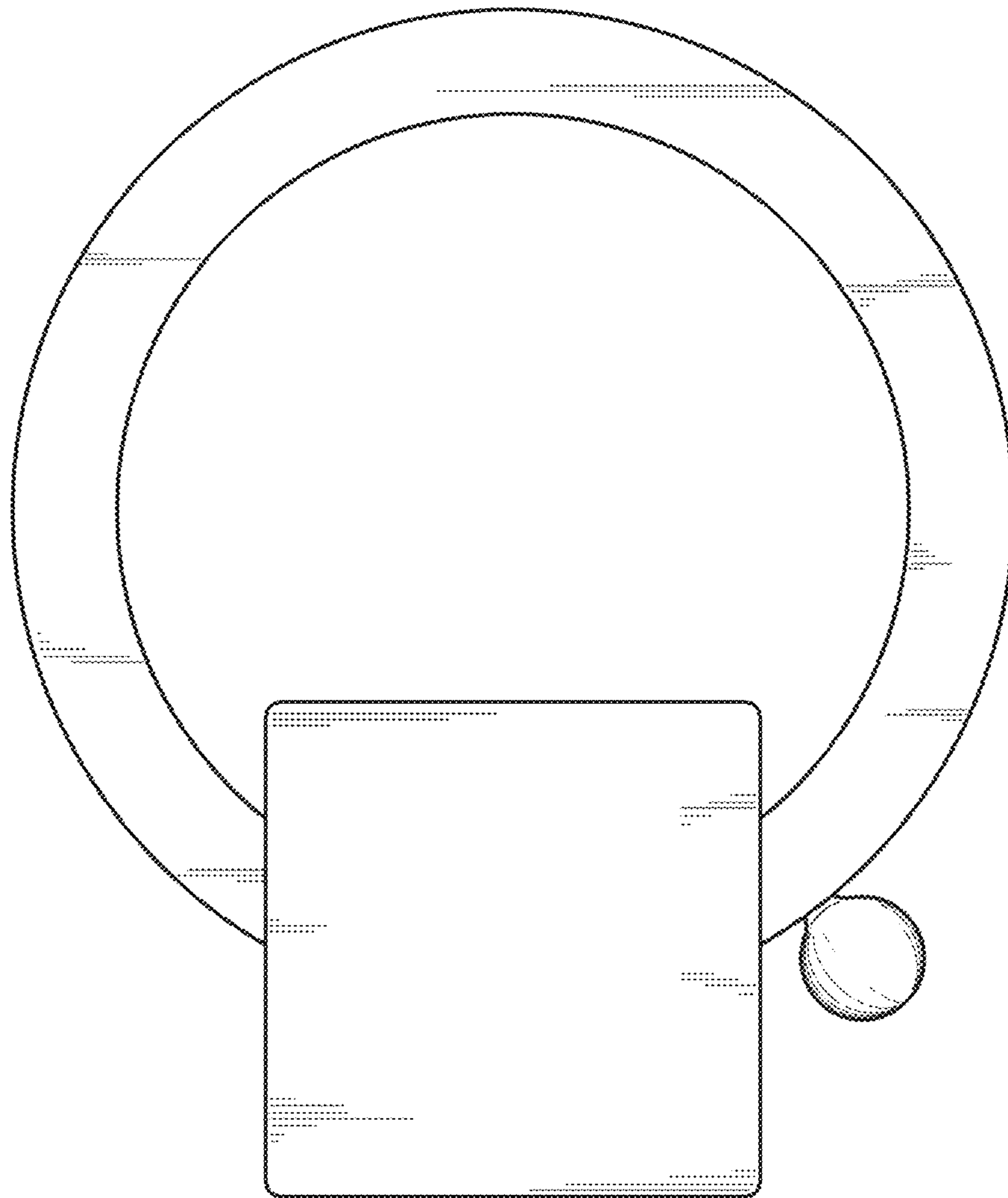


FIG.3

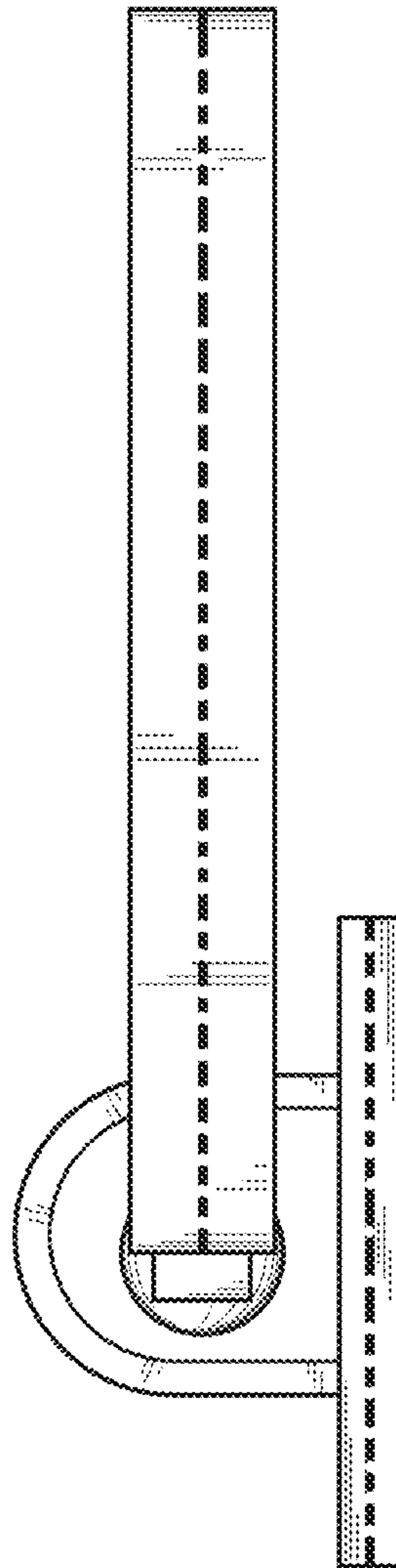


FIG.4

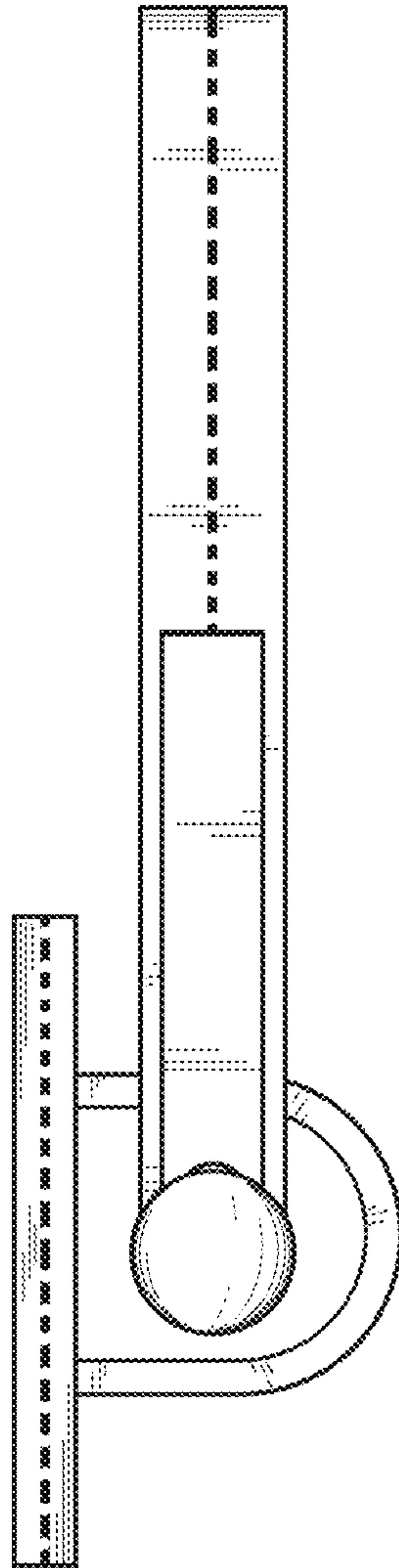


FIG. 5

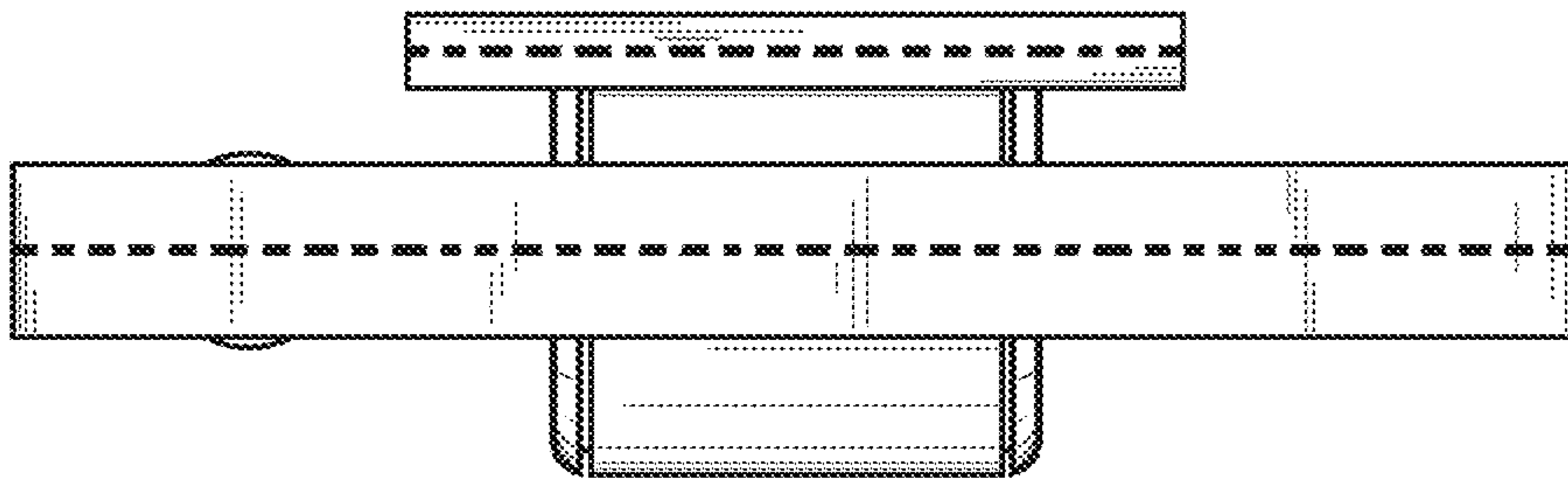


FIG.6

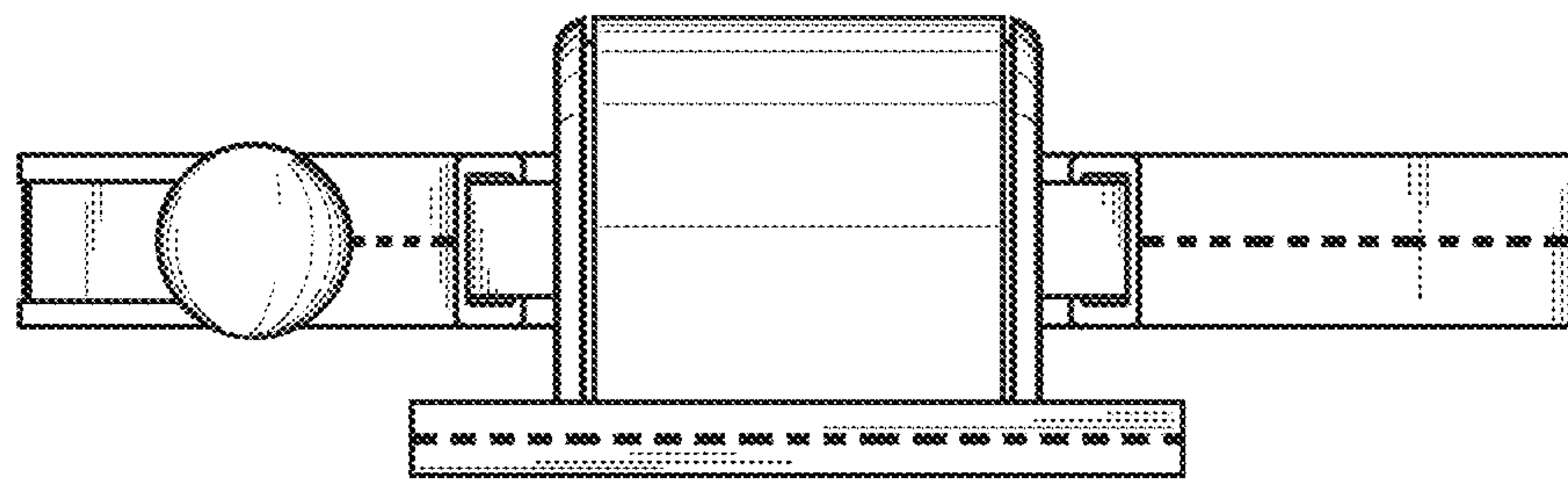


FIG.7