



US00D835911S

(12) **United States Design Patent** (10) **Patent No.:** **US D835,911 S**  
**Goodman et al.** (45) **Date of Patent:** **\*\* Dec. 18, 2018**

(54) **BASKET**  
(71) Applicant: **Spectrum Diversified Designs, LLC**,  
Streetsboro, OH (US)  
(72) Inventors: **Aaron Goodman**, Beachwood, OH  
(US); **Courtney Wilson**, Chardon, OH  
(US)  
(73) Assignee: **SPECTRUM DIVERSIFIED  
DESIGNS, LLC**, Streetsboro, OH (US)

D751,763 S \* 3/2016 Goodman ..... D26/38  
D751,766 S \* 3/2016 Goodman ..... D28/38  
D784,721 S \* 4/2017 Goodman ..... D6/525  
D785,333 S \* 5/2017 Goodman ..... D3/307  
D786,557 S \* 5/2017 Goodman ..... D3/306  
D796,771 S \* 9/2017 Bacallao ..... D34/27  
D811,121 S \* 2/2018 Goodman ..... D6/549  
D812,396 S \* 3/2018 Wilson ..... D6/566  
D814,189 S \* 4/2018 Nimgulkar ..... D3/306  
D819,333 S \* 6/2018 Goodman ..... D3/306  
2016/0096542 A1\* 4/2016 Fukushima ..... B62B 3/1468  
224/411

(\*\*) Term: **15 Years**

(21) Appl. No.: **29/630,743**

(22) Filed: **Dec. 22, 2017**

(51) **LOC (11) Cl.** ..... **03-01**

(52) **U.S. Cl.**  
USPC ..... **D3/306**

(58) **Field of Classification Search**  
USPC ..... D3/201, 304, 306-309, 314, 315;  
D9/429; D19/75-77, 86, 92  
CPC ..... B65D 21/00; B65D 21/0209; B65D 1/38  
See application file for complete search history.

(56) **References Cited**

**U.S. PATENT DOCUMENTS**

D616,680 S \* 6/2010 Snider ..... D6/513  
D650,209 S \* 12/2011 Snider ..... D6/513  
D693,577 S \* 11/2013 Goodman ..... D3/306  
D718,054 S \* 11/2014 Goodman ..... D3/306  
D720,538 S \* 1/2015 Goodman ..... D3/304  
D747,876 S \* 1/2016 Goodman ..... D3/306  
D747,877 S \* 1/2016 Goodman ..... D3/315

**OTHER PUBLICATIONS**

U.S. Appl. No. 29/596,726, filed Mar. 10, 2017, 2 pages and 4 pages of drawings.

\* cited by examiner

*Primary Examiner* — Kelley Donnelly  
(74) *Attorney, Agent, or Firm* — Tucker Ellis LLP

(57) **CLAIM**

The ornamental design for a basket, as shown and described.

**DESCRIPTION**

FIG. 1 is a perspective view of a basket showing our new design.

FIG. 2 is a rear view thereof.

FIG. 3 is a front view thereof.

FIG. 4 is a right side view thereof.

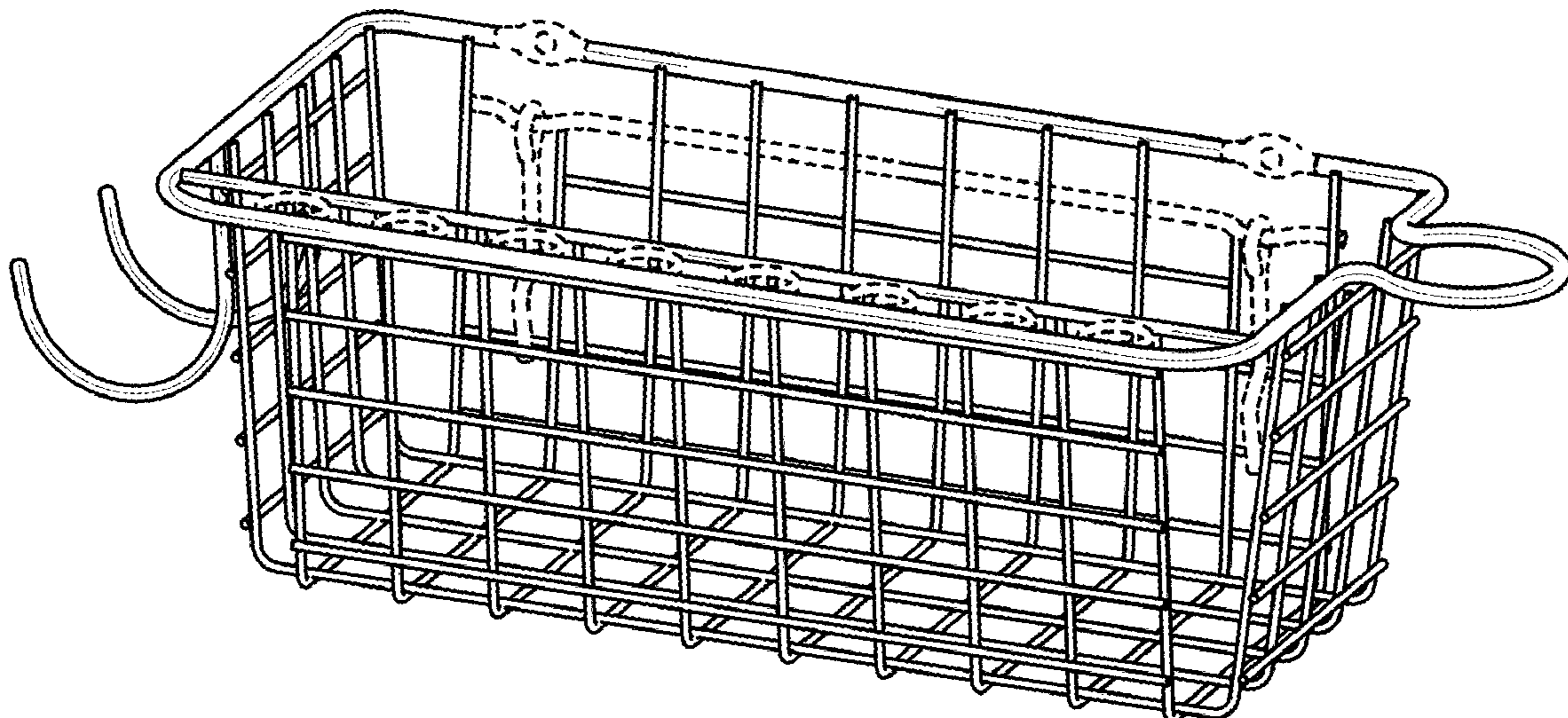
FIG. 5 is a left side view thereof.

FIG. 6 is a top view thereof; and,

FIG. 7 is a bottom view thereof.

The broken lines show portions of the design that form no part of the claimed design.

**1 Claim, 4 Drawing Sheets**



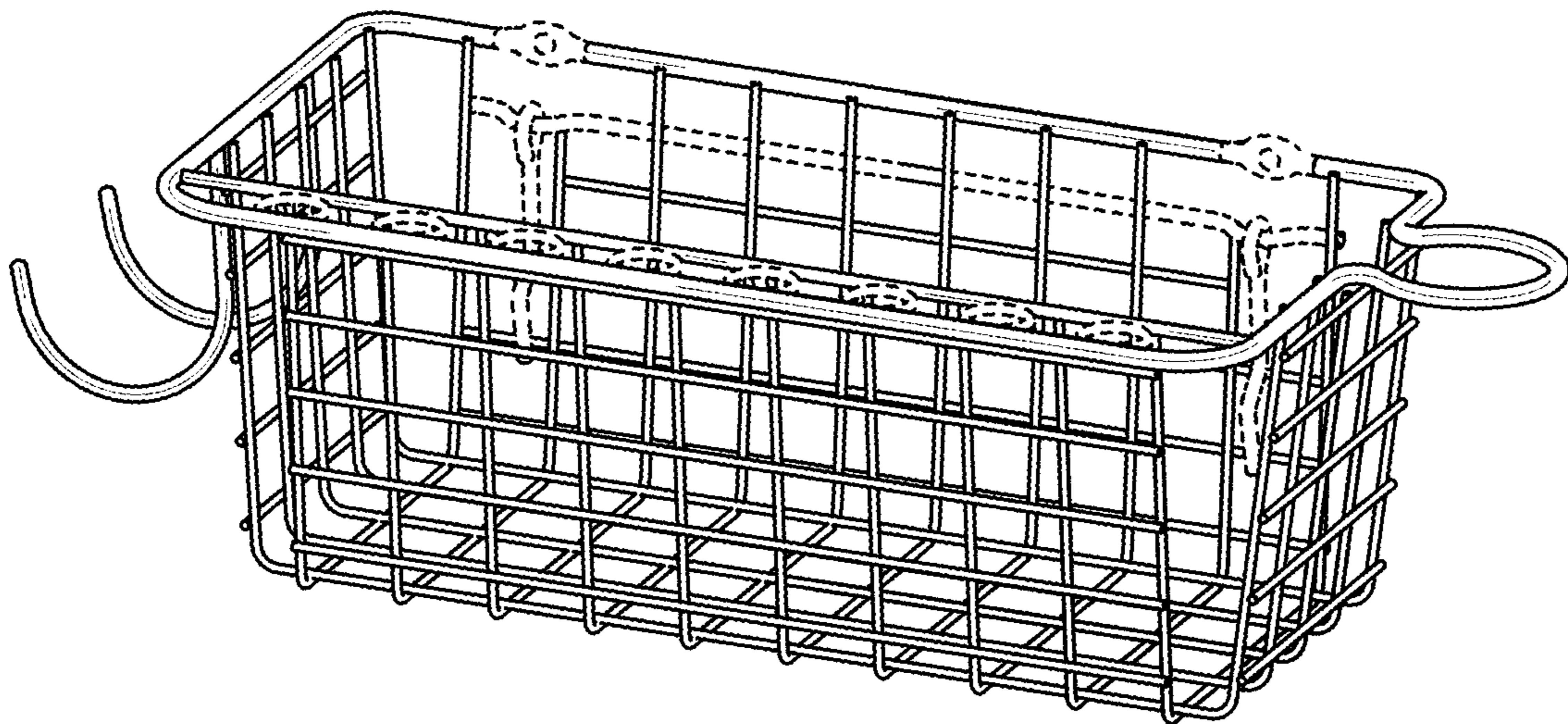


FIG. 1

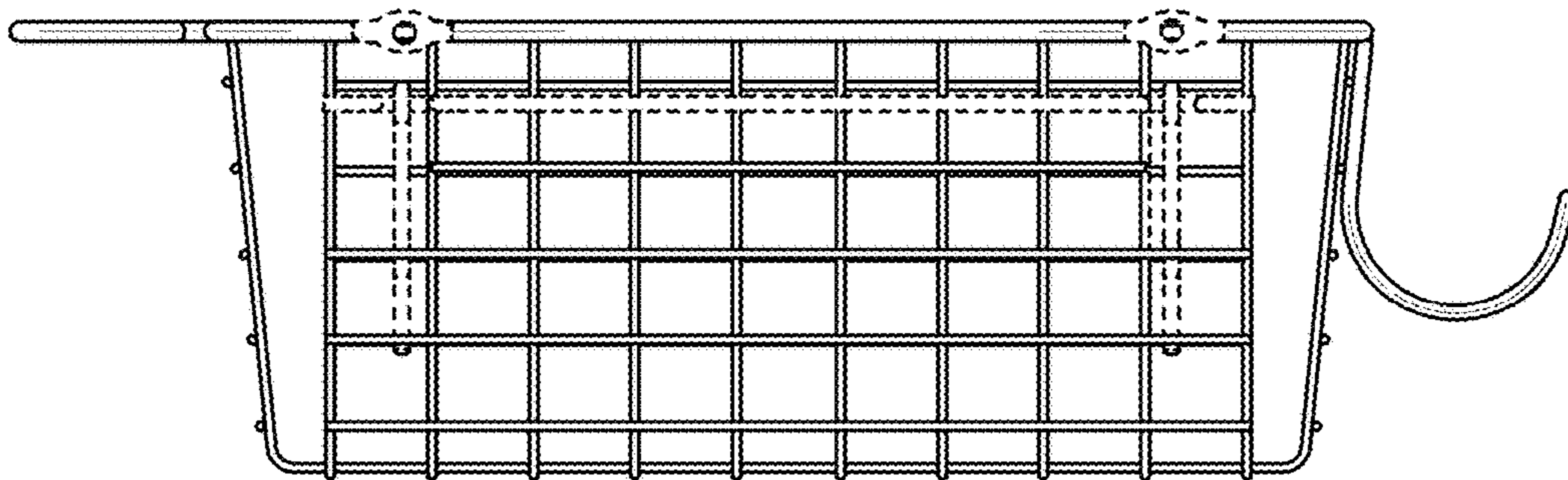


FIG. 2

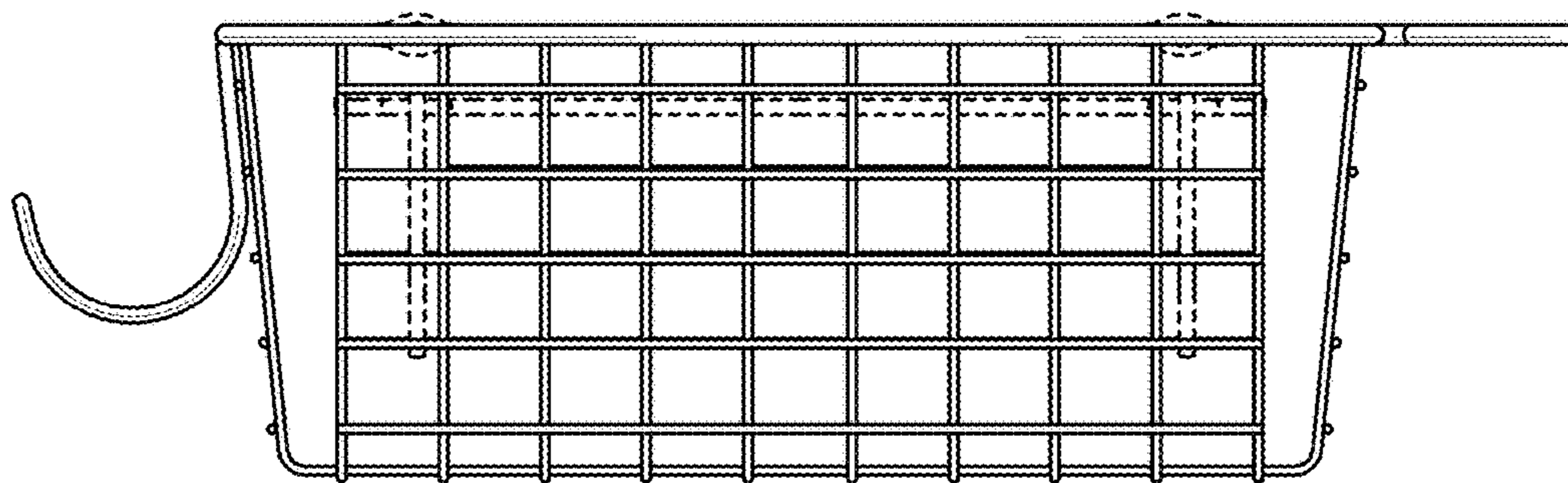


FIG. 3

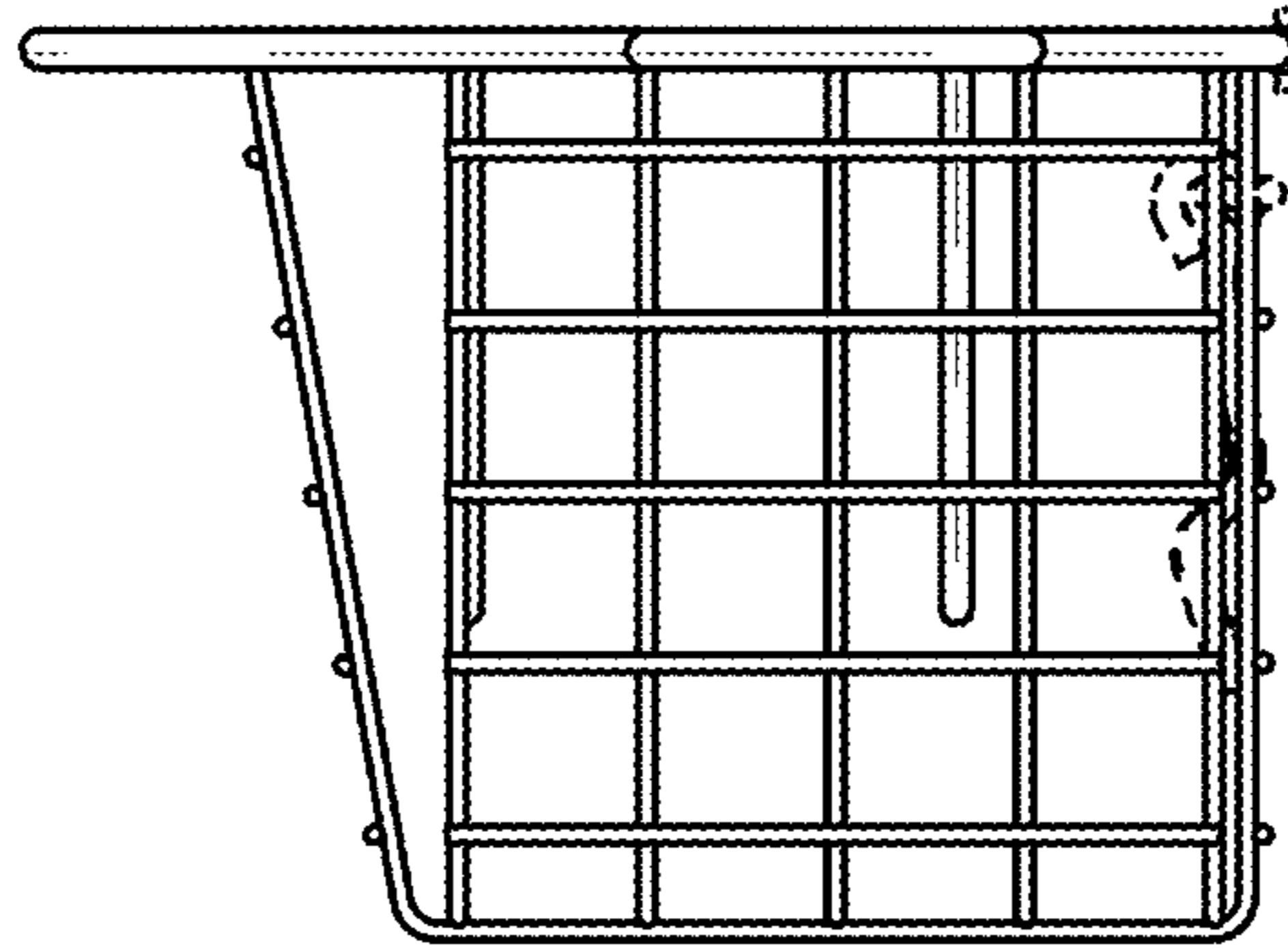


FIG. 4

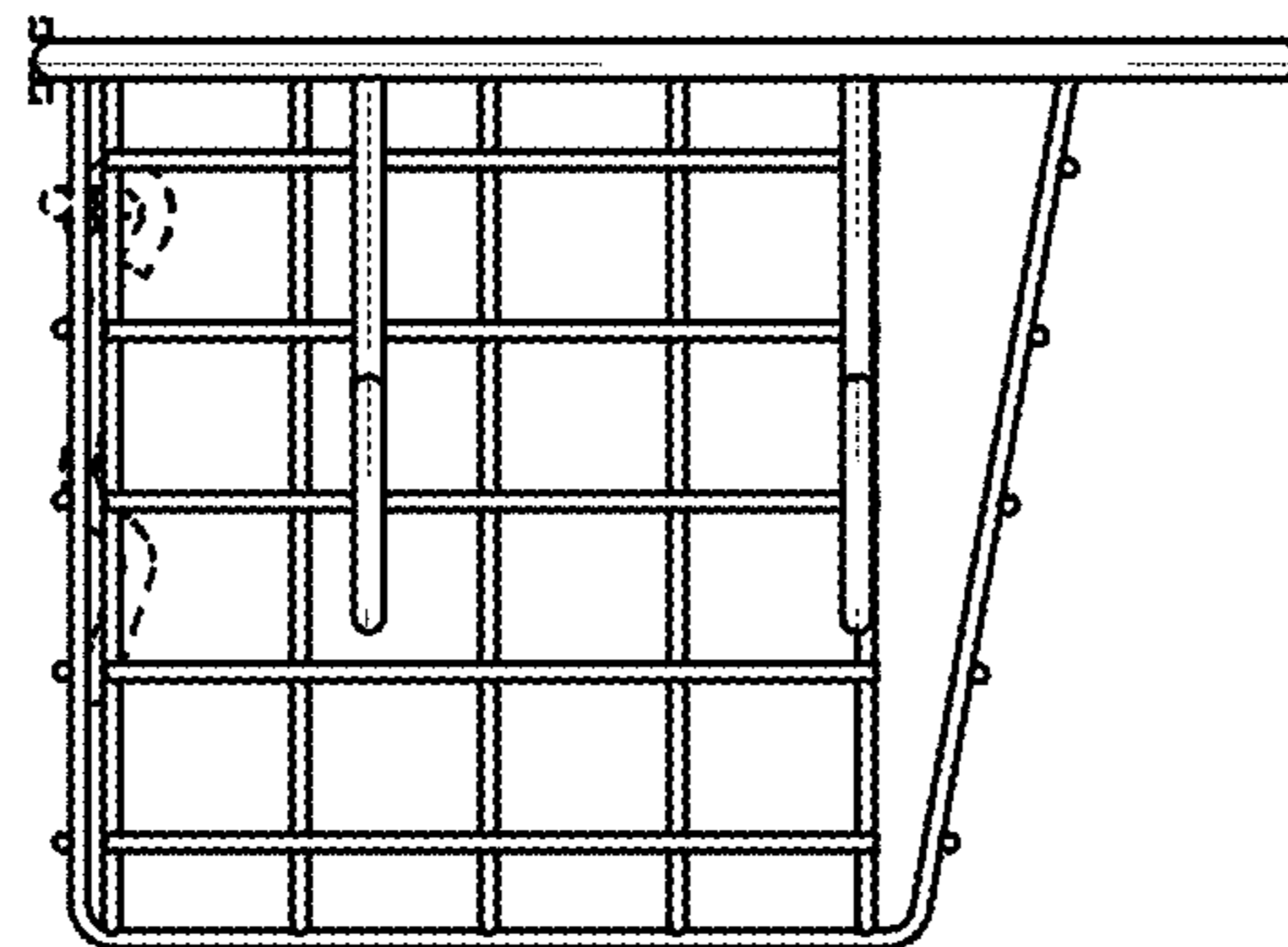


FIG. 5

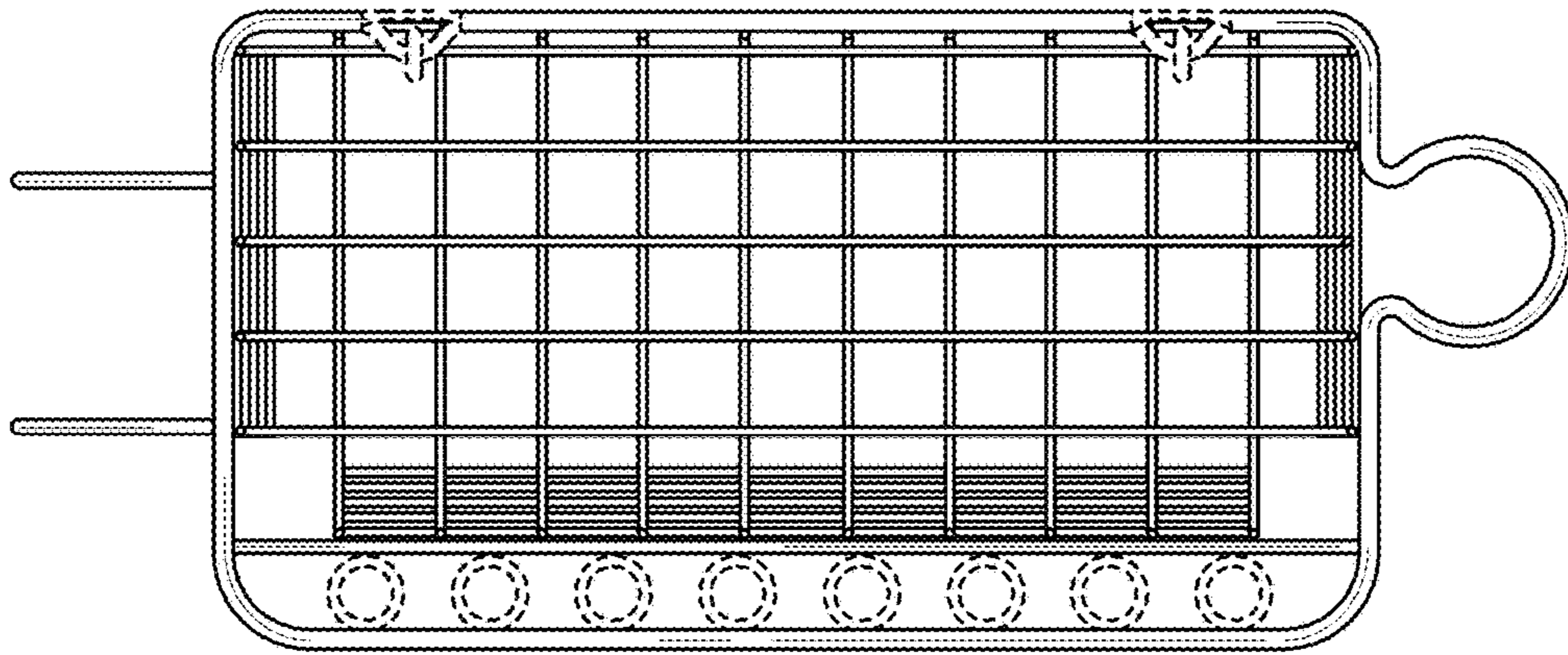


FIG. 6

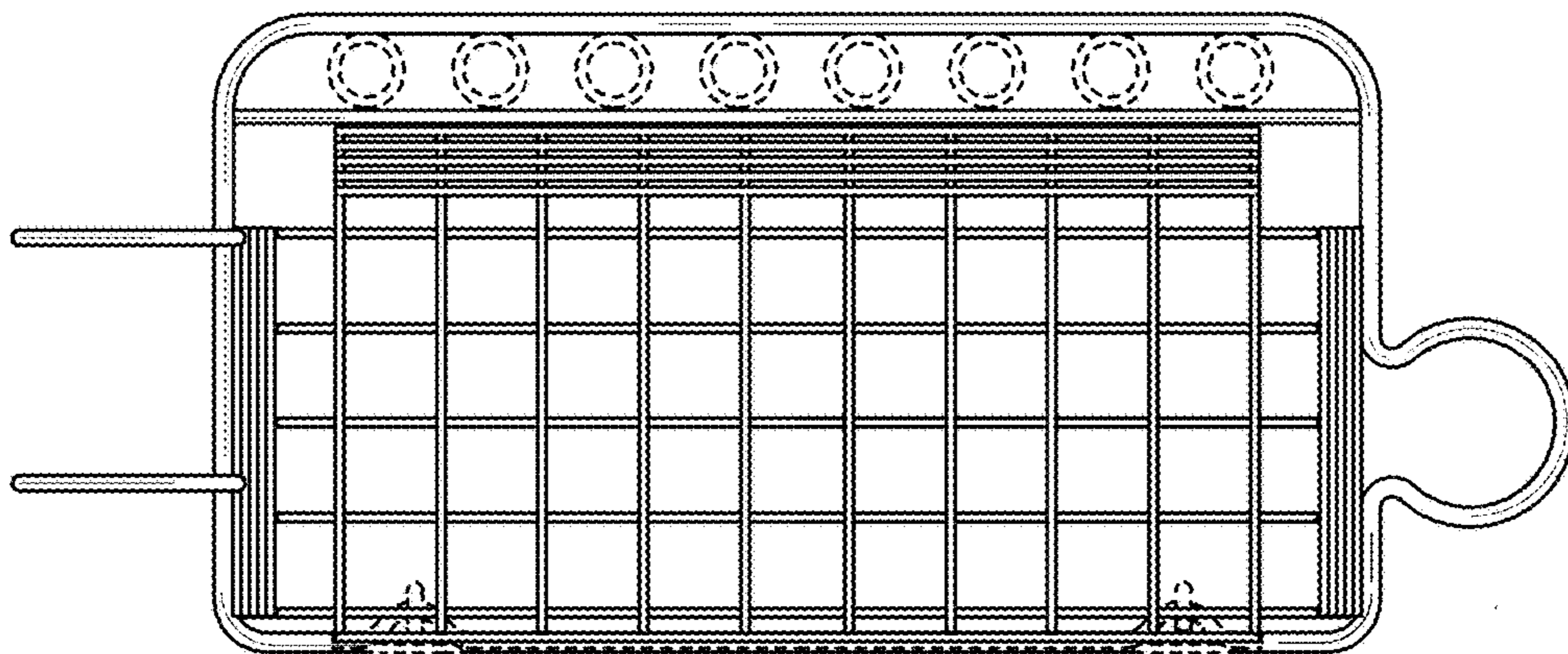


FIG. 7