



US00D835909S

(12) **United States Design Patent** (10) **Patent No.:** **US D835,909 S**  
**Lin** (45) **Date of Patent:** **\*\* Dec. 18, 2018**

(54) **CHILD-SAFETY CHAIR BAG**  
(71) Applicant: **Shanghai Woyoo Electronic Technology Co., Ltd., Shanghai OT (CN)**

D612,605 S \* 3/2010 Turvey ..... D3/289  
D650,584 S \* 12/2011 Kim ..... D3/289  
D656,315 S \* 3/2012 Kwon ..... D3/289  
D665,169 S \* 8/2012 Filip ..... D3/283  
D685,575 S \* 7/2013 Cullen ..... D3/272  
D779,824 S \* 2/2017 Boroski ..... D3/283  
D799,823 S \* 10/2017 Schartle ..... D3/285

(72) Inventor: **Hao Lin, Shanghai (CN)**  
(73) Assignee: **Shanghai Woyoo Technology Co., Ltd., Shanghai (CN)**

(\*\*) Term: **15 Years**  
(21) Appl. No.: **29/609,654**  
(22) Filed: **Jul. 3, 2017**

(30) **Foreign Application Priority Data**  
Jun. 5, 2017 (CN) ..... 2017 3 0222954  
(51) **LOC (11) Cl.** ..... **03-01**  
(52) **U.S. Cl.**  
USPC ..... **D3/283; D3/290**  
(58) **Field of Classification Search**  
USPC ..... D3/205, 216, 217, 243, 254, 262, 273,  
D3/276, 277, 283, 287, 289, 290, 304,  
D3/306, 309, 900, 902, 904, 246;  
D7/605, 607  
CPC ..... A45C 3/001; A45C 2003/002; A45C  
2003/008; A45C 5/005; A45C 11/20;  
A45C 2009/002; A45F 4/02  
See application file for complete search history.

(56) **References Cited**  
**U.S. PATENT DOCUMENTS**  
D323,426 S \* 1/1992 Mahvi ..... D3/214  
D340,840 S \* 11/1993 Melk ..... D3/283  
D414,379 S \* 9/1999 Haberkorn ..... D3/287  
D423,779 S \* 5/2000 Goatcher ..... D3/283  
D447,340 S \* 9/2001 Snider ..... D3/276  
D485,432 S \* 1/2004 Desrochers ..... D3/214

**OTHER PUBLICATIONS**

Aliexpress, "Multifunctional Mummy Bag Portable Folding Booster Seats Baby High Chair Child Safety Chair Diaper Bag", Accessed Sep. 26, 2018. (<https://www.aliexpress.com/item/Multifunctional-Mummy-Bag-Portable-Folding-Chair-Baby-High-Chair-Booster-Seats-Child-Safety-Chair-Diaper-Bag/32731199036.html>) (Year: 2018).\*  
Little Trouble Makers, "Portable Booster Seat with Storage Compartment", Accessed Sep. 28, 2018. (<https://www.liltroublemakers.com/products/portable-storage-booster-seat>) (Year: 2018).\*

\* cited by examiner

*Primary Examiner* — Jennifer Rivard  
*Assistant Examiner* — April Rivas  
(74) *Attorney, Agent, or Firm* — Wang Law Firm, Inc.

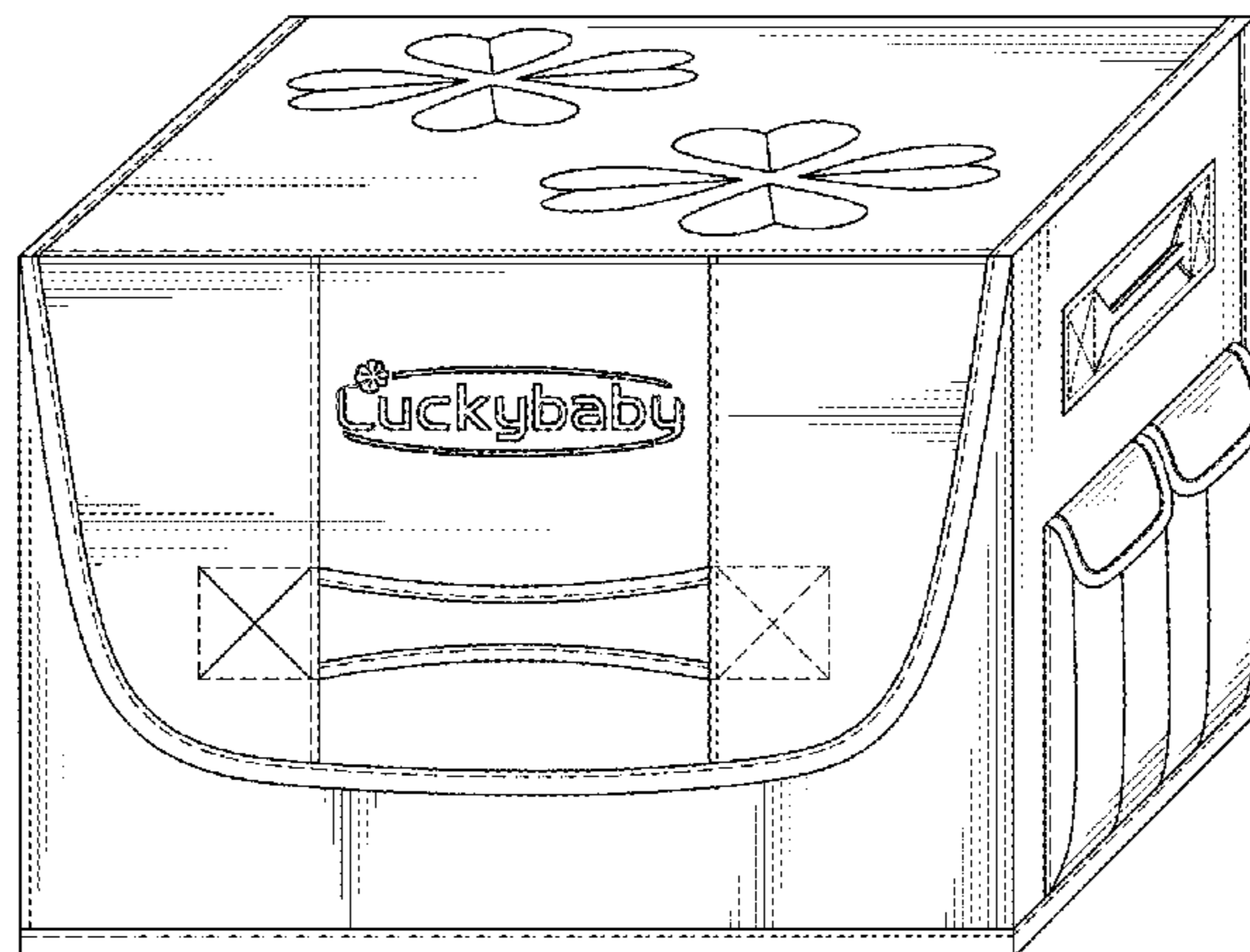
(57) **CLAIM**

The ornamental design for a child-safety chair bag, as shown and described.

**DESCRIPTION**

FIG. 1 is a front perspective view showing my new design; FIG. 2 is a front view thereof; FIG. 3 is a rear view thereof; FIG. 4 is a left view thereof; FIG. 5 is a right view thereof; FIG. 6 is a top view thereof; and, FIG. 7 is a bottom view thereof. The broken lines illustrate portions of the child-safety chair bag and form no part of the claimed design.

**1 Claim, 7 Drawing Sheets**



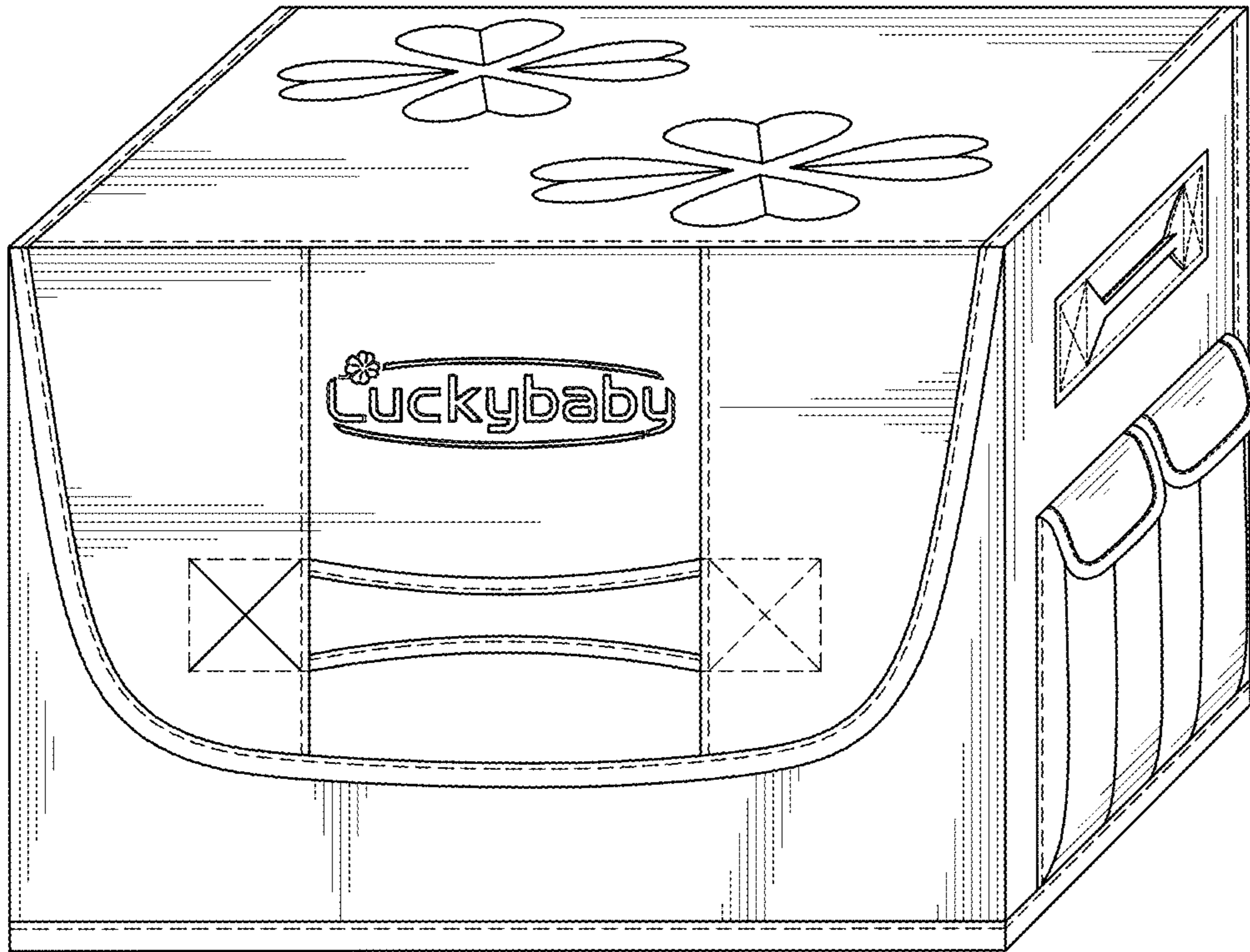


FIG. 1

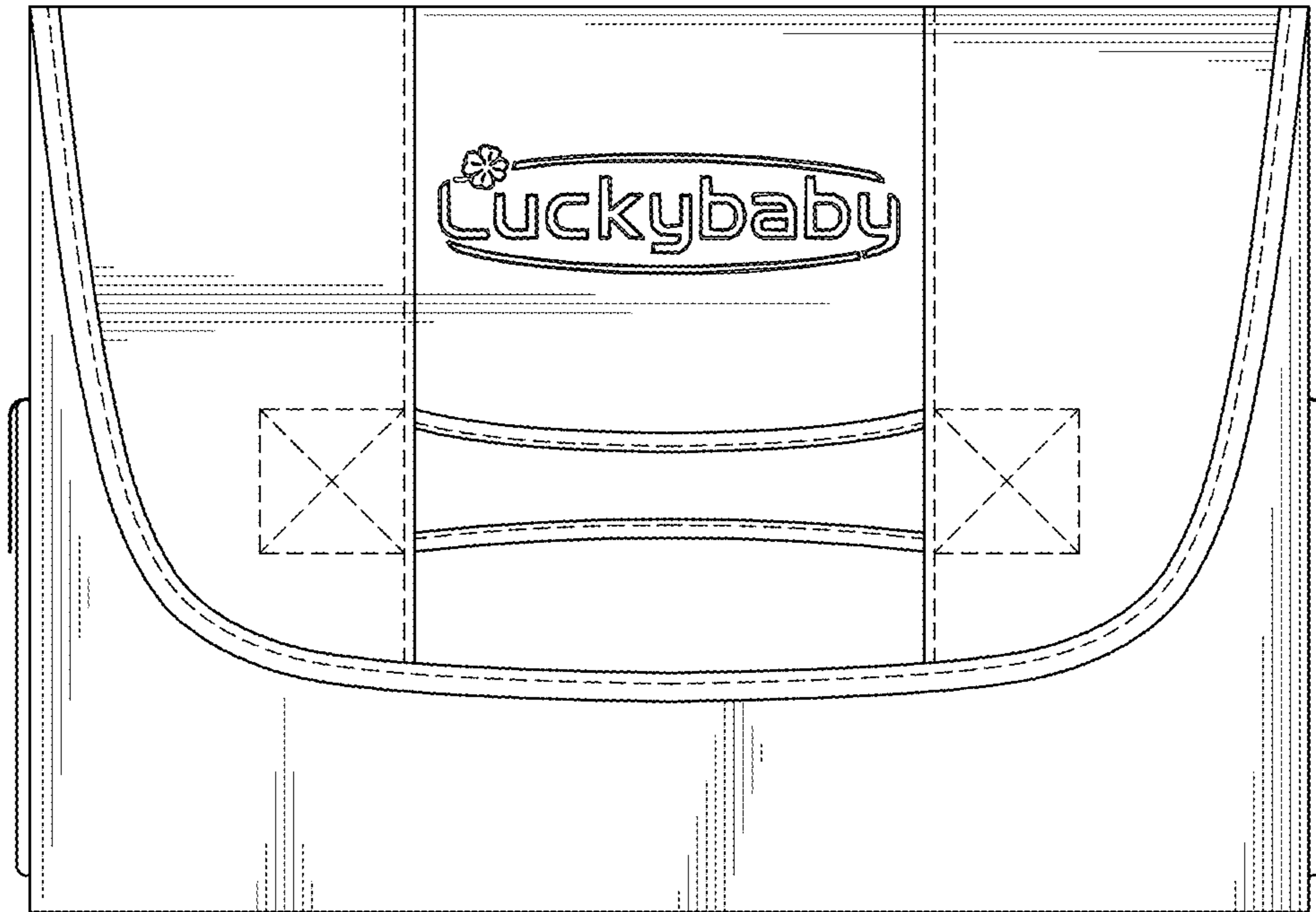


FIG. 2

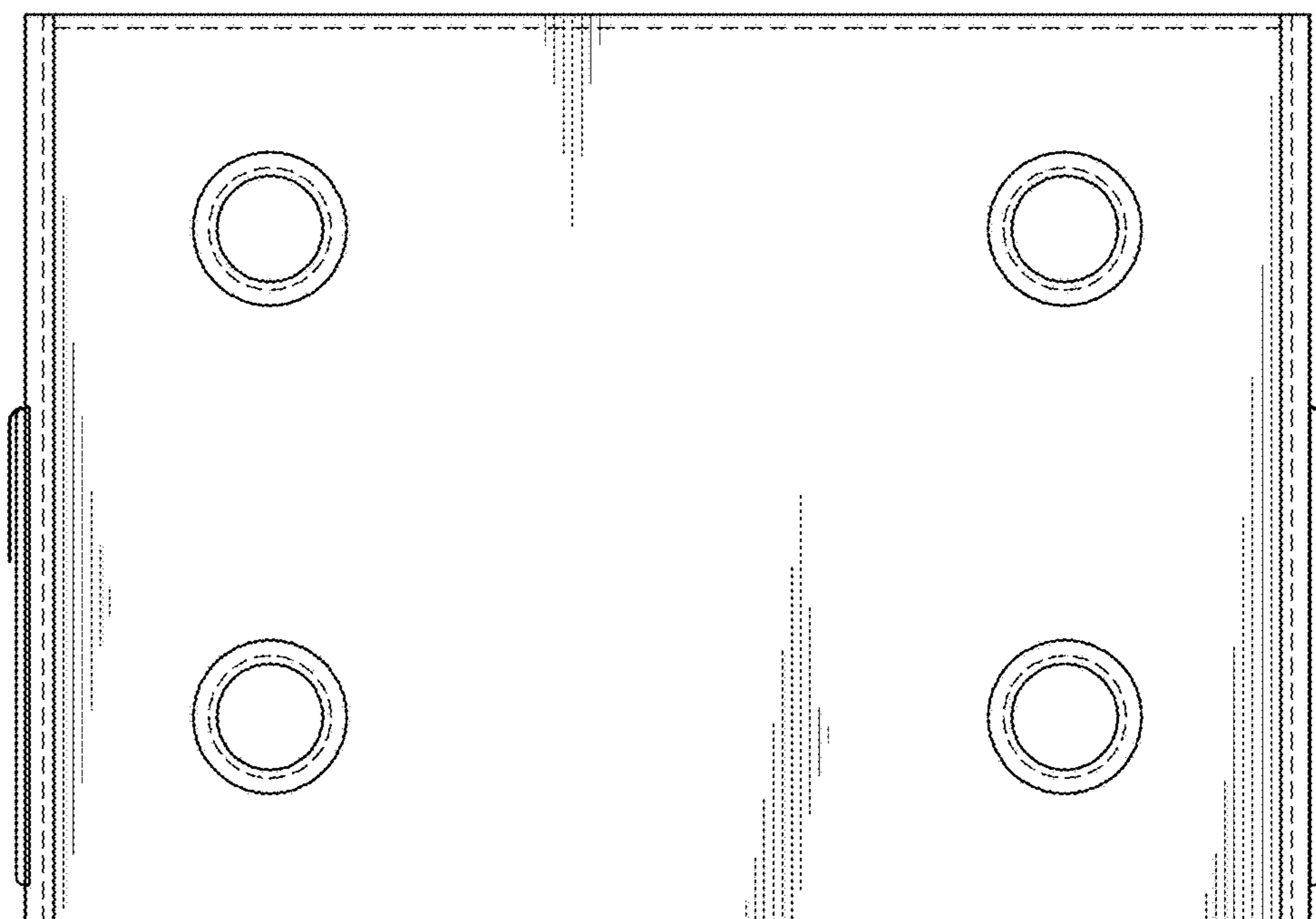


FIG. 3

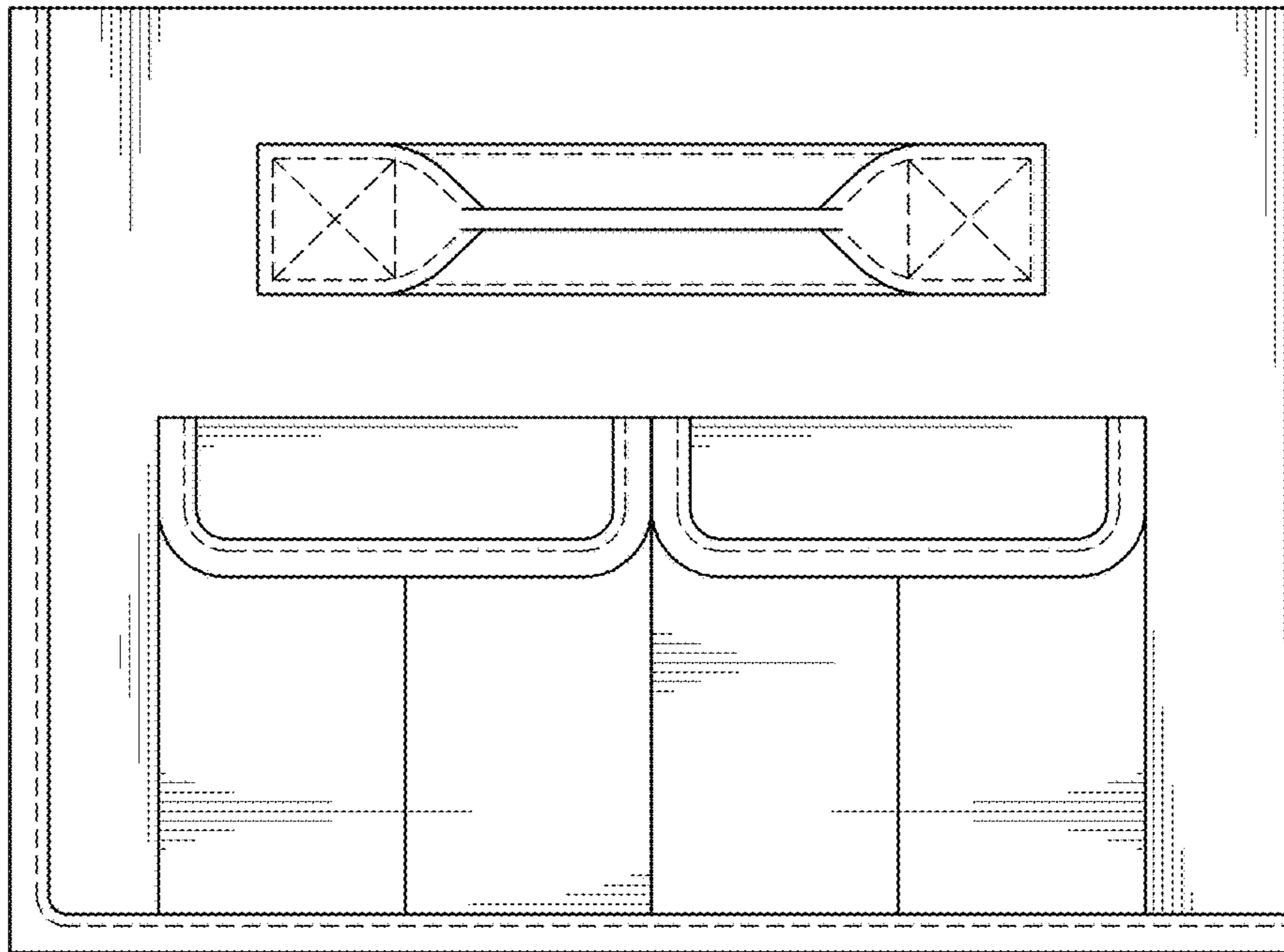


FIG. 4

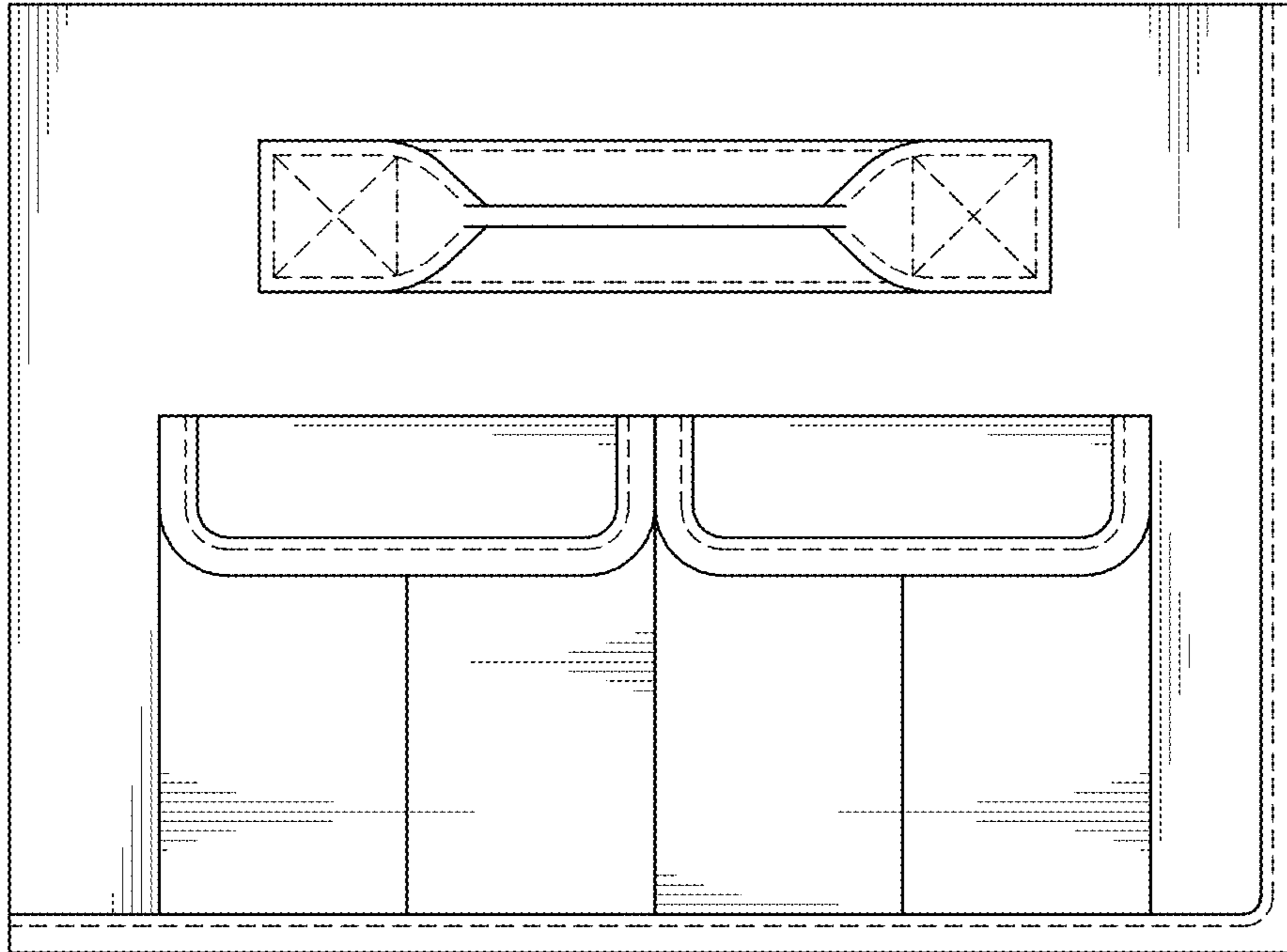


FIG. 5

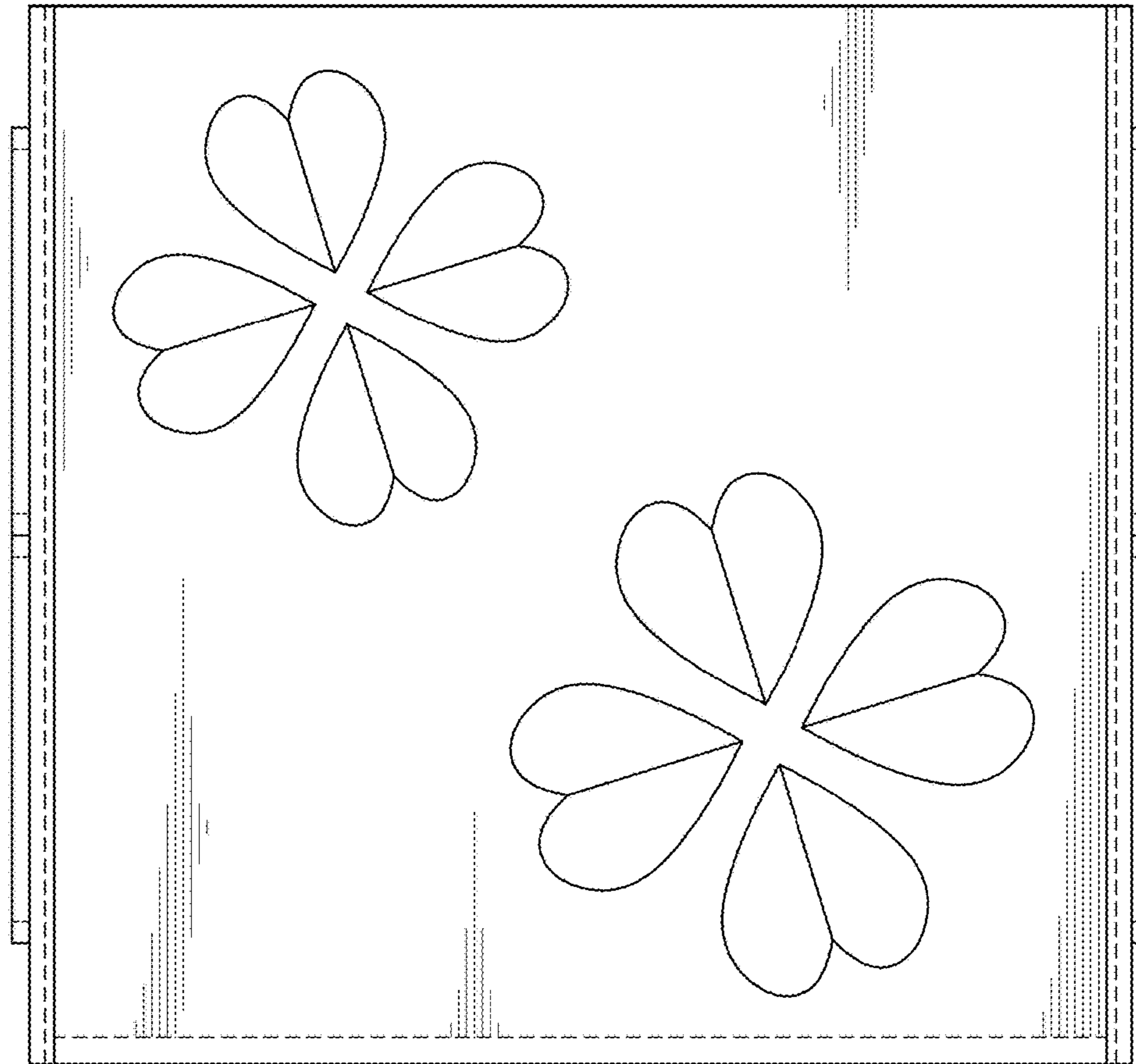


FIG. 6

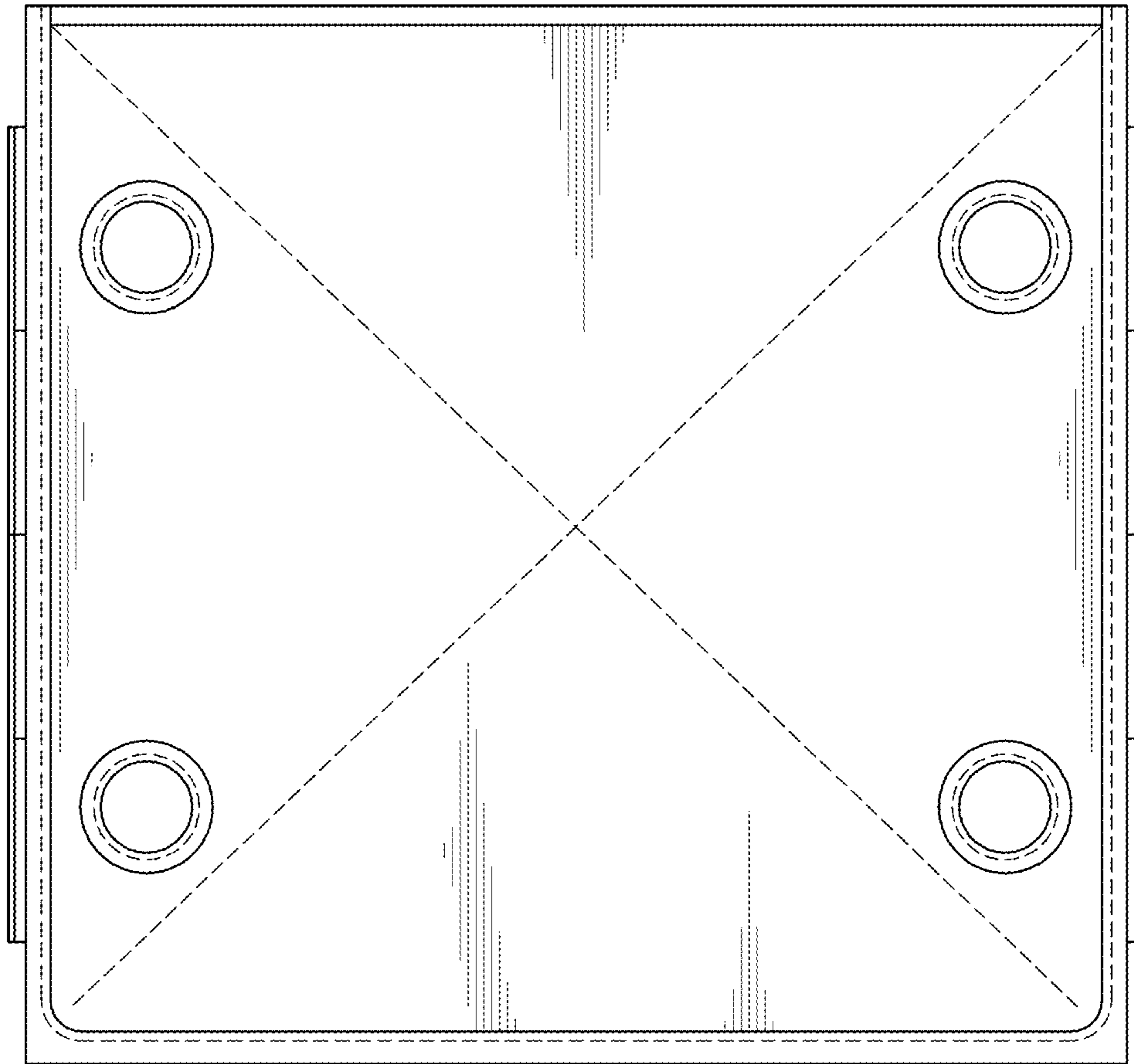


FIG. 7