

US00D835908S

(12) **United States Design Patent** (10) **Patent No.:** **US D835,908 S**
Hudgins (45) **Date of Patent:** **** Dec. 18, 2018**

- (54) **GUITAR TOOLBOX** D209,333 S * 11/1967 Ketjen D17/14
5,219,075 A * 6/1993 White A45C 5/02
150/162
- (71) Applicant: **Lonnie H Hudgins**, Aliso Viejo, CA D474,760 S * 5/2003 Zhang D14/188
(US) D524,784 S * 7/2006 Beard D14/138 R
- (72) Inventor: **Lonnie H Hudgins**, Aliso Viejo, CA D622,027 S * 8/2010 Acunzo D1/106
(US) D657,613 S * 4/2012 Pierce D7/354
D657,614 S * 4/2012 Pierce D7/354
D658,472 S * 5/2012 van der Lande D8/348
- (**) Term: **15 Years** D755,886 S * 5/2016 Luz D17/22
D795,335 S * 8/2017 Hudgins D17/20
- (21) Appl. No.: **29/609,884** 2003/0234204 A1 * 12/2003 Lam B65D 81/365
206/540
- (22) Filed: **Jul. 6, 2017**

Related U.S. Application Data

- (63) Continuation of application No. 29/557,828, filed on Mar. 11, 2016, now Pat. No. Des. 795,335.
- (51) **LOC (11) Cl.** **03-01**
- (52) **U.S. Cl.**
USPC **D3/273**
- (58) **Field of Classification Search**
USPC D3/204, 208, 226, 249, 270, 273, 274,
D3/276, 281, 282, 294, 905; D8/348;
D9/665; D10/31; D11/78.1, 79, 103,
D11/104; D15/140; D17/9, 14, 18, 19,
D17/20, 21, 24, 99; D21/398, 405
CPC .. G10D 3/00; G10D 3/06; G10D 3/04; G10D
3/043; G10D 1/08; G10D 1/00; G10D
1/12; G09B 15/003; G10H 1/0016; B65D
25/10; B65D 25/103; B25H 3/00; B25H
3/006; B25H 3/02; B25H 3/023; B27B
17/00; B27B 17/0008
See application file for complete search history.

References Cited

U.S. PATENT DOCUMENTS

- D14,419 S * 11/1883 Randall D3/204
- 1,855,232 A * 4/1932 Gulick G10G 7/005
206/314

OTHER PUBLICATIONS

Guitar-Shaped Bookshelf, posted at Guitaradventures.com, posted on Jan. 21, 2015, site visited Sep. 25, 2018. online, available from internet : <http://www.guitaradventures.com/18-astonishing-guitar-shaped-things> (Year: 2015).*

(Continued)

Primary Examiner — Mary Ann Calabrese
Assistant Examiner — Catherine Ho

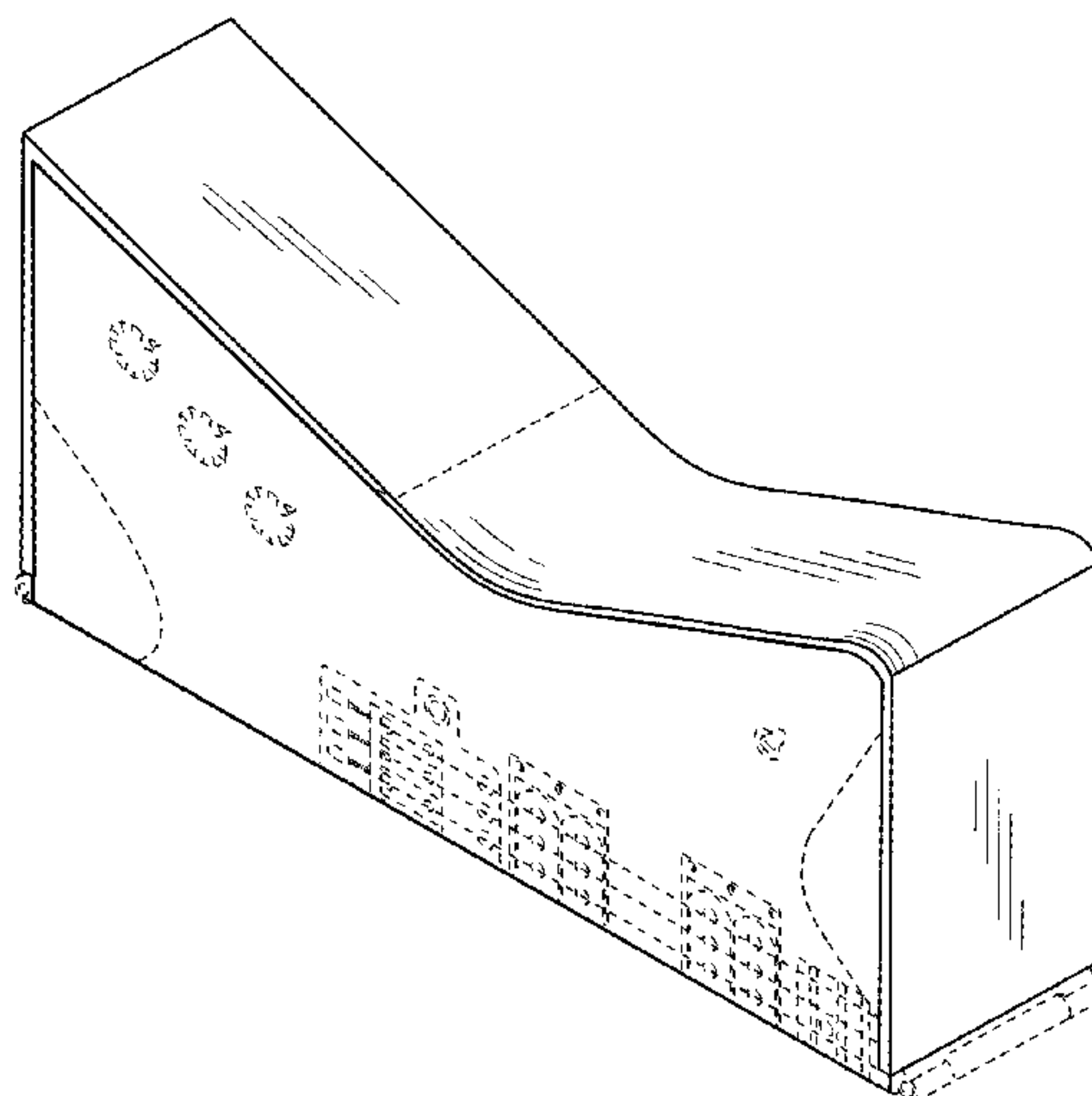
(57) **CLAIM**

The ornamental design for a guitar toolbox, as shown and described.

DESCRIPTION

FIG. 1 is a perspective view of a guitar toolbox showing my new design.
FIG. 2 is a front elevation view thereof.
FIG. 3 is a top plan view thereof.
FIG. 4 is a left side elevation view thereof.
FIG. 5 is a right side elevation view thereof; and,
FIG. 6 is a rear elevation view thereof.
The broken lines in the drawings are included to show features that form no part of the claimed design.

1 Claim, 3 Drawing Sheets



(56)

References Cited

OTHER PUBLICATIONS

Making a guitar shaped cutting board, posted at Youtube.com, posted on Oct. 3, 2015, site visited Sep. 25, 2018. online, available from internet: <https://www.youtube.com/watch?v=MRgmUEJ5uhw> (Year: 2015).*

Guitar Shaped Pick Box, posted at Maurysmusic.com, posted on Feb. 6, 2011, site visited Sep. 25, 2018. online, available from internet: https://www.maurysmusic.com/inc/sdetail/guitar_shaped_pick_box_maple/45004 (Year: 2011).*

A Guitar-Shaped Box, posted at Woodwithstrings.blogspot.com, posted on Feb. 5, 2014, site visited Sep. 25, 2018. online, available from internet: <http://woodwithstrings.blogspot.com/2014/02/a-guitar-shaped-box.html> (Year: 2014).*

* cited by examiner

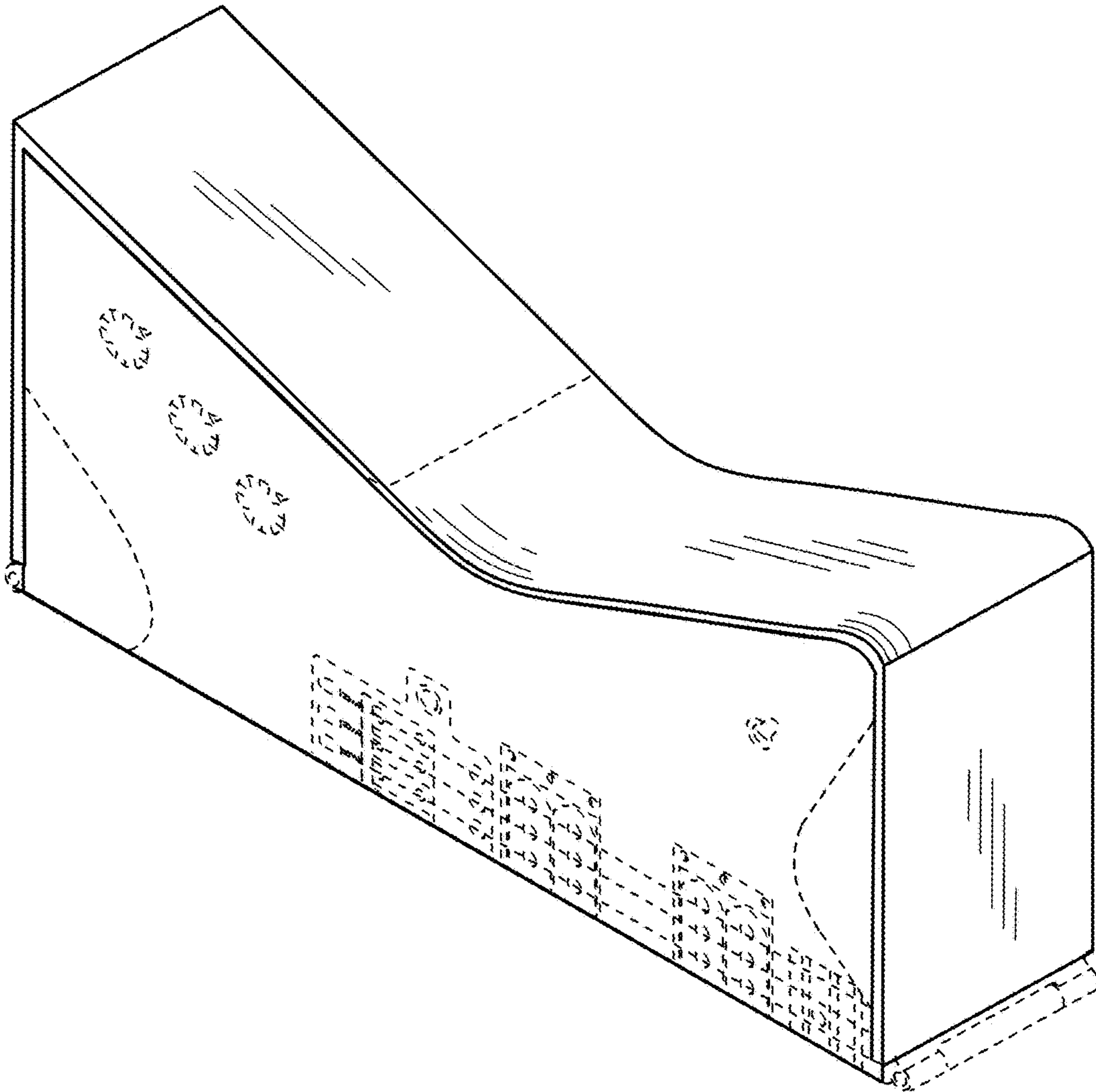


FIG. 1

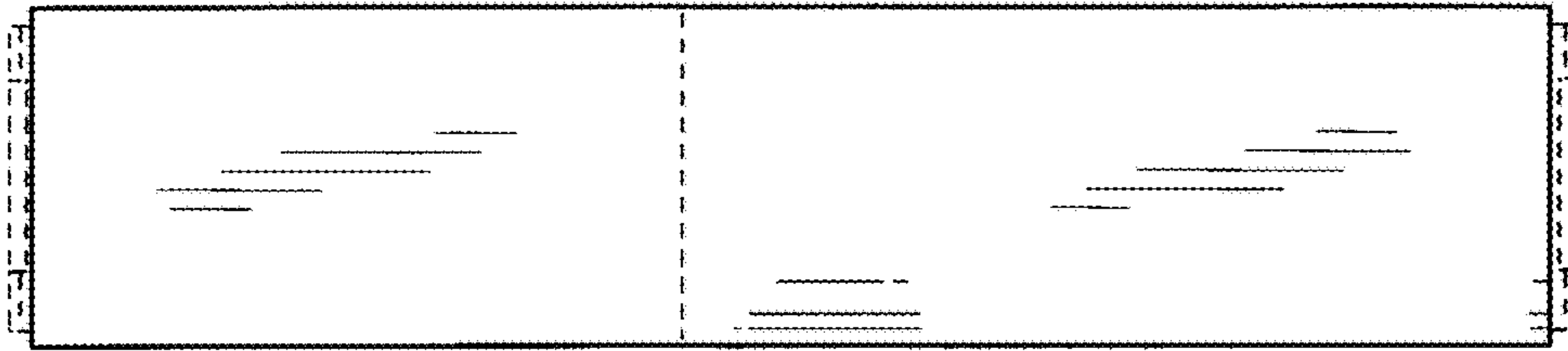


FIG. 3

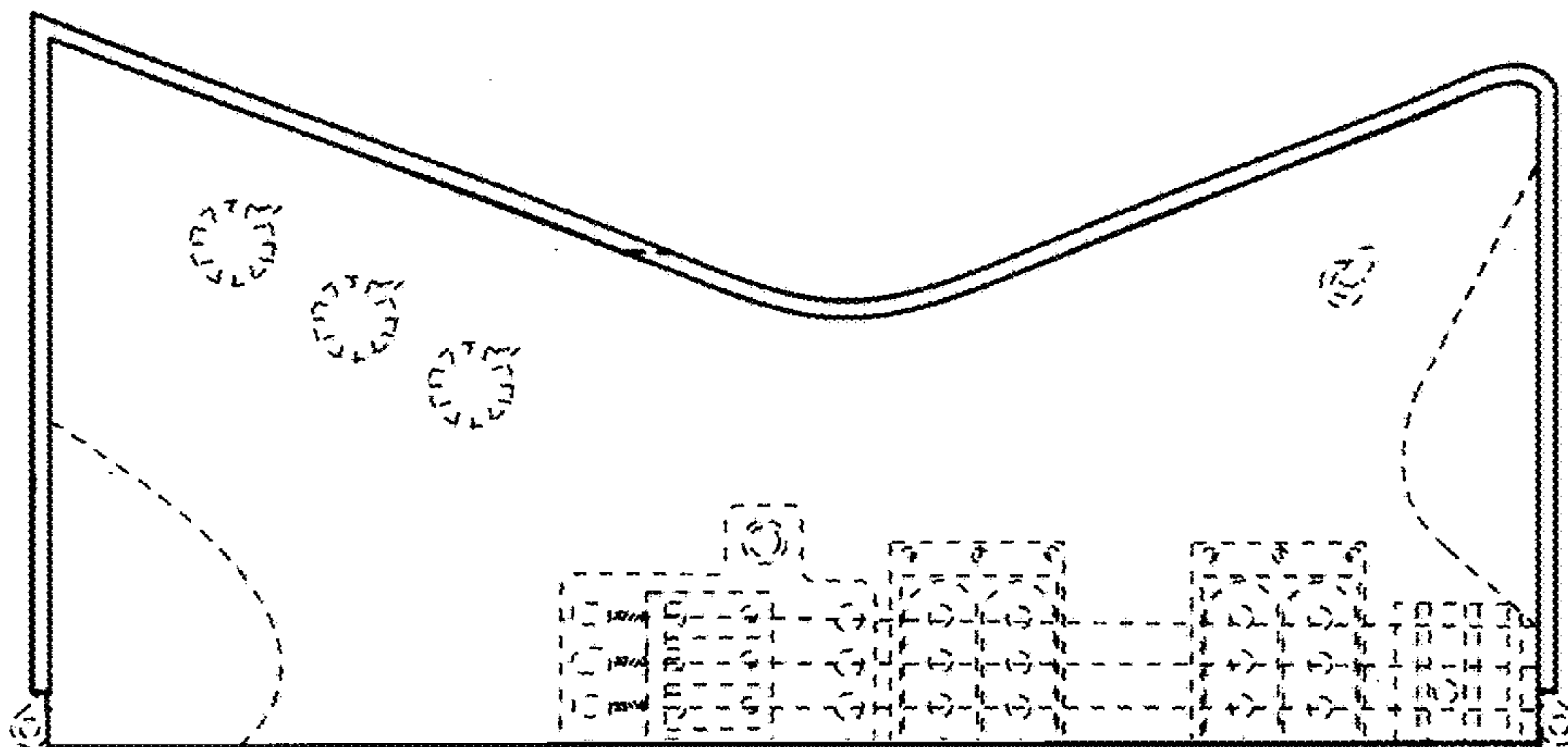


FIG. 2

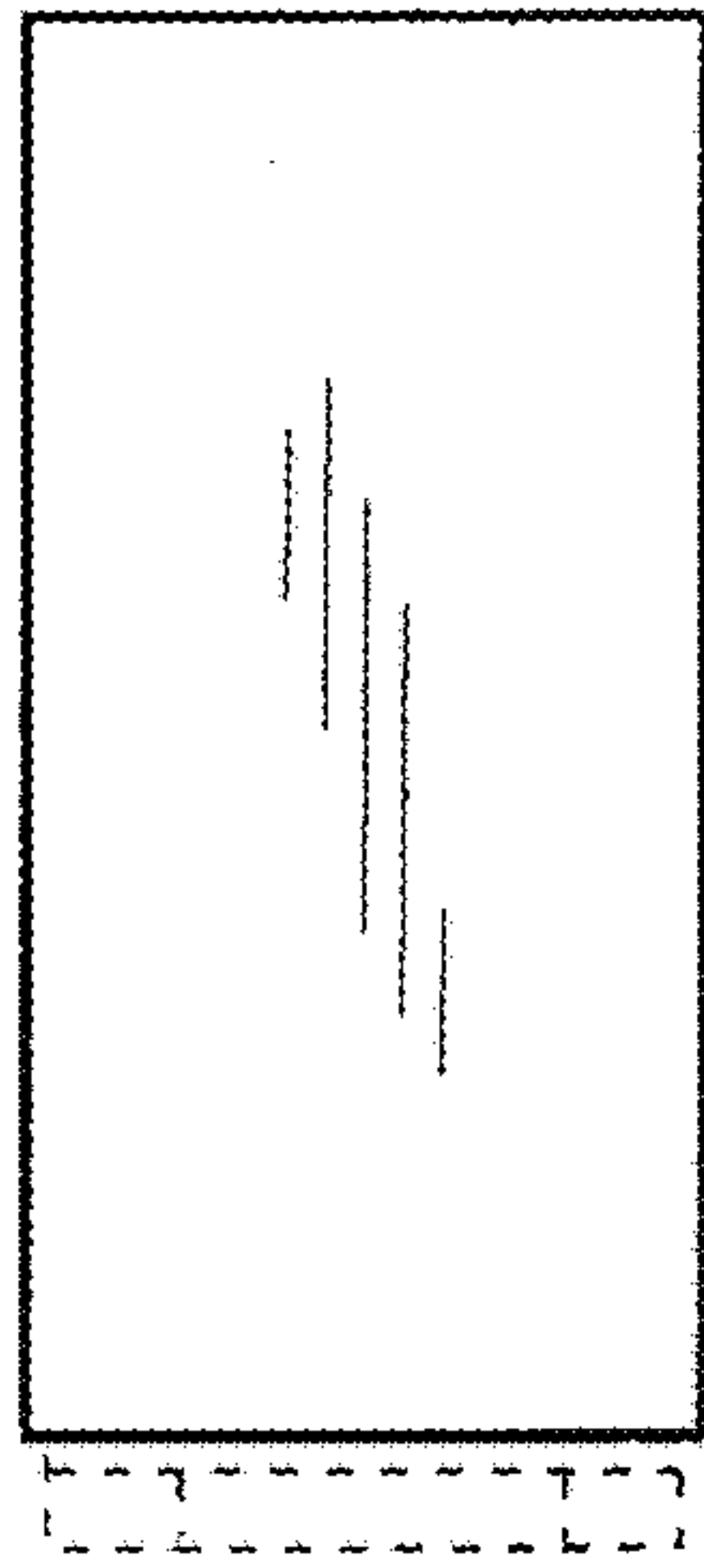


FIG. 4

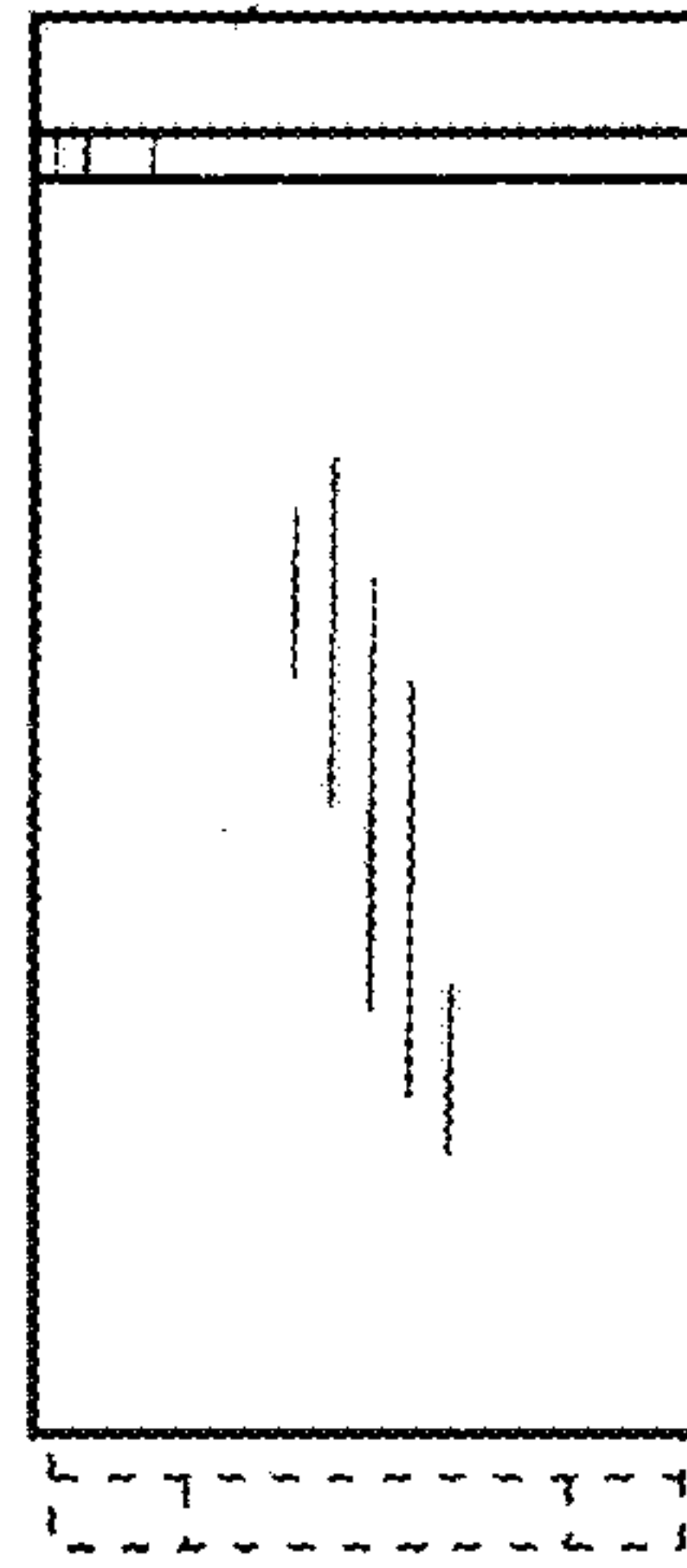


FIG. 5

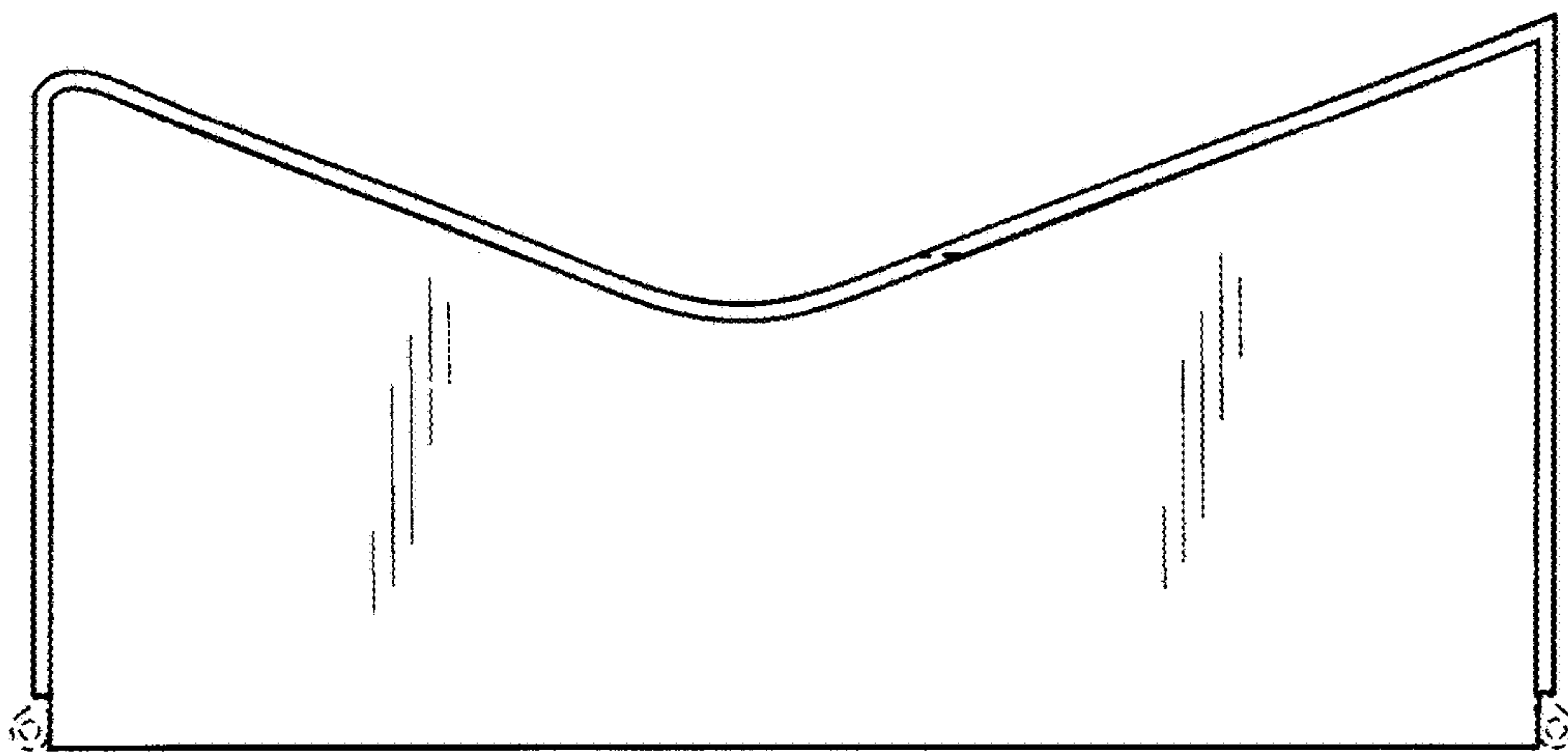


FIG. 6