



US00D835907S

(12) **United States Design Patent** (10) **Patent No.:** **US D835,907 S**  
**Hudgins** (45) **Date of Patent:** **\*\* Dec. 18, 2018**

(54) **GUITAR TOOLBOX**  
(71) Applicant: **Lonnie H Hudgins**, Aliso Viejo, CA (US)  
(72) Inventor: **Lonnie H Hudgins**, Aliso Viejo, CA (US)  
(\*\*) Term: **15 Years**  
(21) Appl. No.: **29/609,880**  
(22) Filed: **Jul. 6, 2017**

5,219,075 A \* 6/1993 White ..... A45C 5/02  
150/162  
D474,760 S \* 5/2003 Zhang ..... D14/188  
D524,784 S \* 7/2006 Beard ..... D14/138 R  
D622,027 S \* 8/2010 Acunzo ..... D1/106  
D657,613 S \* 4/2012 Pierce ..... D7/354  
D657,614 S \* 4/2012 Pierce ..... D7/354  
D658,472 S \* 5/2012 van Der Lande ..... D8/348  
D755,886 S \* 5/2016 Luz ..... D17/22  
D795,335 S \* 8/2017 Hudgins ..... D17/20  
(Continued)

**Related U.S. Application Data**

(63) Continuation of application No. 29/557,828, filed on Mar. 11, 2016, now Pat. No. Des. 795,335.  
(51) **LOC (11) Cl.** ..... **03-01**  
(52) **U.S. Cl.**  
USPC ..... **D3/273**  
(58) **Field of Classification Search**  
USPC ..... D3/204, 208, 226, 249, 270, 273, 274, D3/276, 281, 282, 294, 905; D8/348; D9/665; D10/31; D11/78.1, 79, 103, D11/104; D15/140; D17/9, 14, 18, 19, D17/20, 21, 24, 99; D21/398, 405  
CPC .. G10D 3/00; G10D 3/06; G10D 3/04; G10D 3/043; G10D 1/08; G10D 1/00; G10D 1/12; G09B 15/003; G10H 1/0016; B25H 3/00; B25H 3/02; B25H 3/023; B25H 3/006; B27B 17/00; B27B 17/0008; B65D 25/10; B65D 25/103  
See application file for complete search history.

**References Cited**

**U.S. PATENT DOCUMENTS**

D14,419 S \* 11/1883 Randall ..... D3/204  
1,855,232 A \* 4/1932 Gulick ..... G10G 7/005  
206/314  
D209,333 S \* 11/1967 Ketjen ..... D17/14

**OTHER PUBLICATIONS**

Guitar-Shaped Bookshelf, posted at Guitaradventures.com, posted on Jan. 21, 2015, site visited Sep. 25, 2018. online, available from internet: <http://www.guitaradventures.com/18-astonishing-guitar-shaped-things> (Year: 2015).\*  
(Continued)

*Primary Examiner* — Mary Ann Calabrese  
*Assistant Examiner* — Catherine Ho  
(74) *Attorney, Agent, or Firm* — Kintner IP, LLC; Mary Frances Ludwig

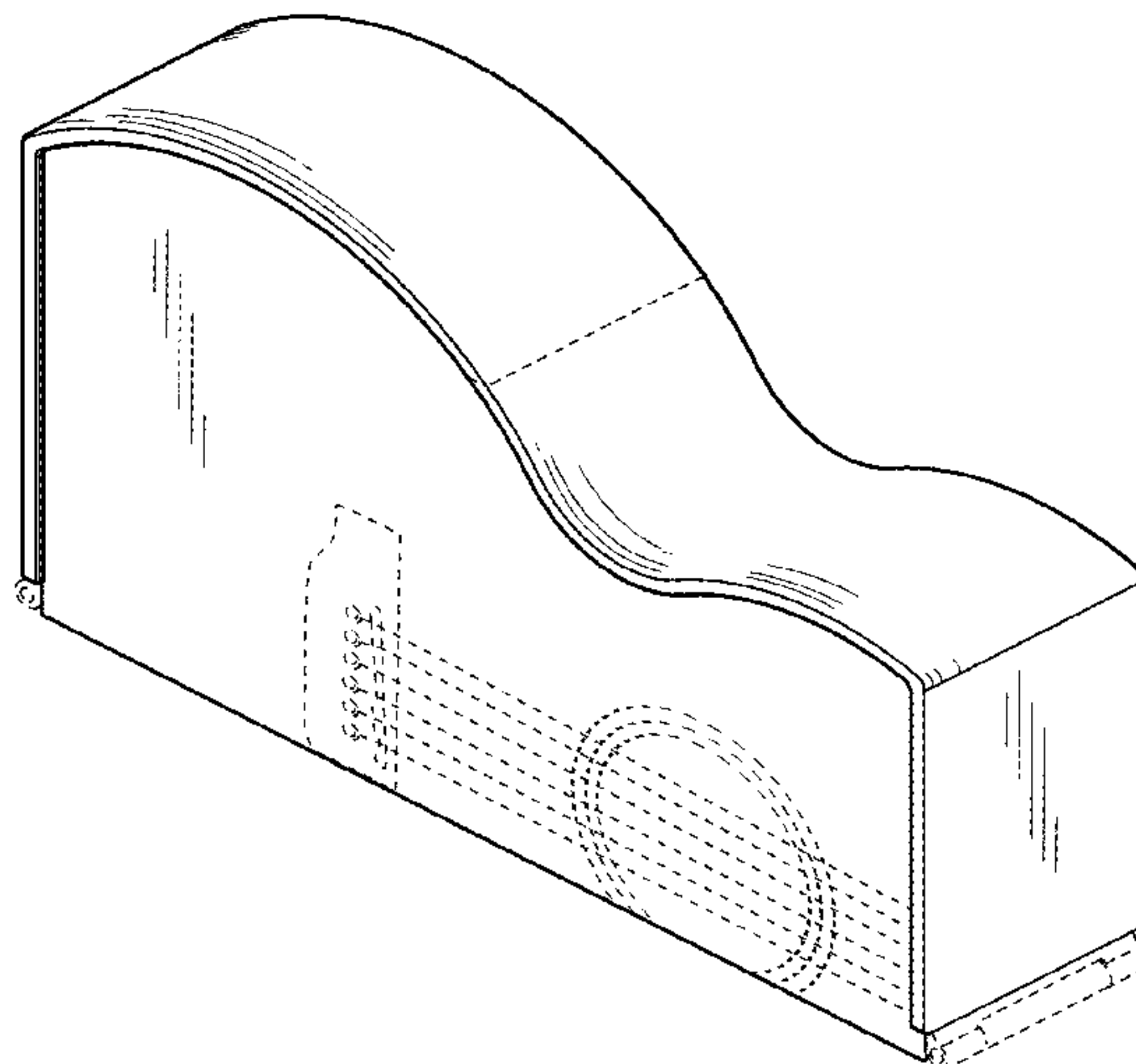
(57) **CLAIM**

The ornamental design for a guitar toolbox, as shown and described.

**DESCRIPTION**

FIG. 1 is a perspective view of a guitar toolbox showing my new design.  
FIG. 2 is a front elevation view thereof.  
FIG. 3 is a top plan view thereof.  
FIG. 4 is a left side elevation view thereof.  
FIG. 5 is a right side elevation view thereof; and,  
FIG. 6 is a rear elevation view thereof.  
The broken lines in the drawings are included to show features that form no part of the claimed design.

**1 Claim, 3 Drawing Sheets**



(56)

**References Cited**

U.S. PATENT DOCUMENTS

2003/0234204 A1\* 12/2003 Lam ..... B65D 81/365  
206/540

OTHER PUBLICATIONS

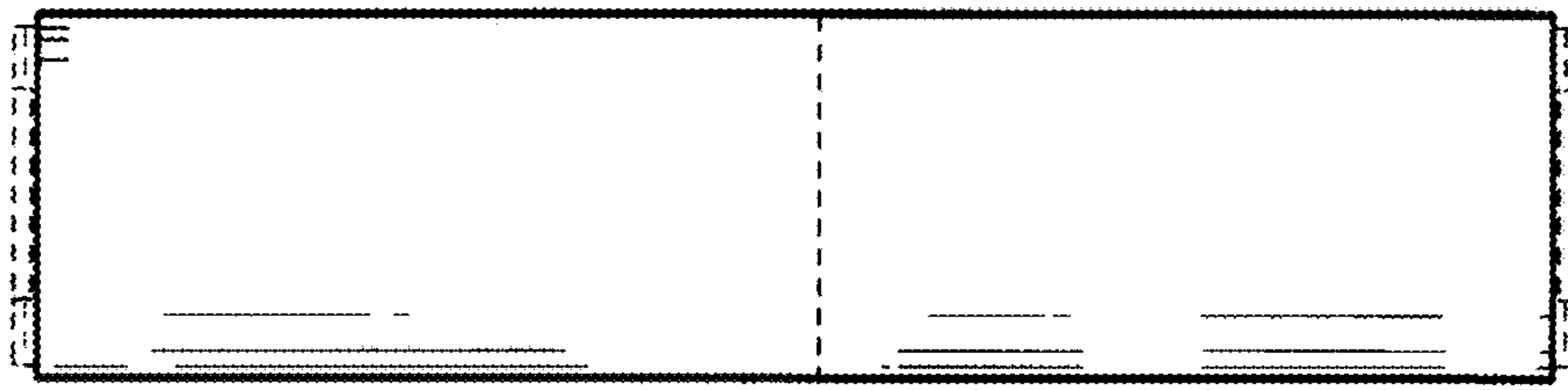
Making a guitar shaped cutting board, posted at Youtube.com, posted on Oct. 3, 2015, site visited Sep. 25, 2018. online, available from internet: <https://www.youtube.com/watch?v=MRgmUEJ5uhw> (Year: 2015).\*

Guitar Shaped Pick Box, posted at Maurysmusic.com, posted on Feb. 6, 2011, site visited Sep. 25, 2018. online, available from internet: [https://www.maurysmusic.com/inc/sdetail/guitar\\_shaped\\_pick\\_box\\_maple/45004](https://www.maurysmusic.com/inc/sdetail/guitar_shaped_pick_box_maple/45004).\*

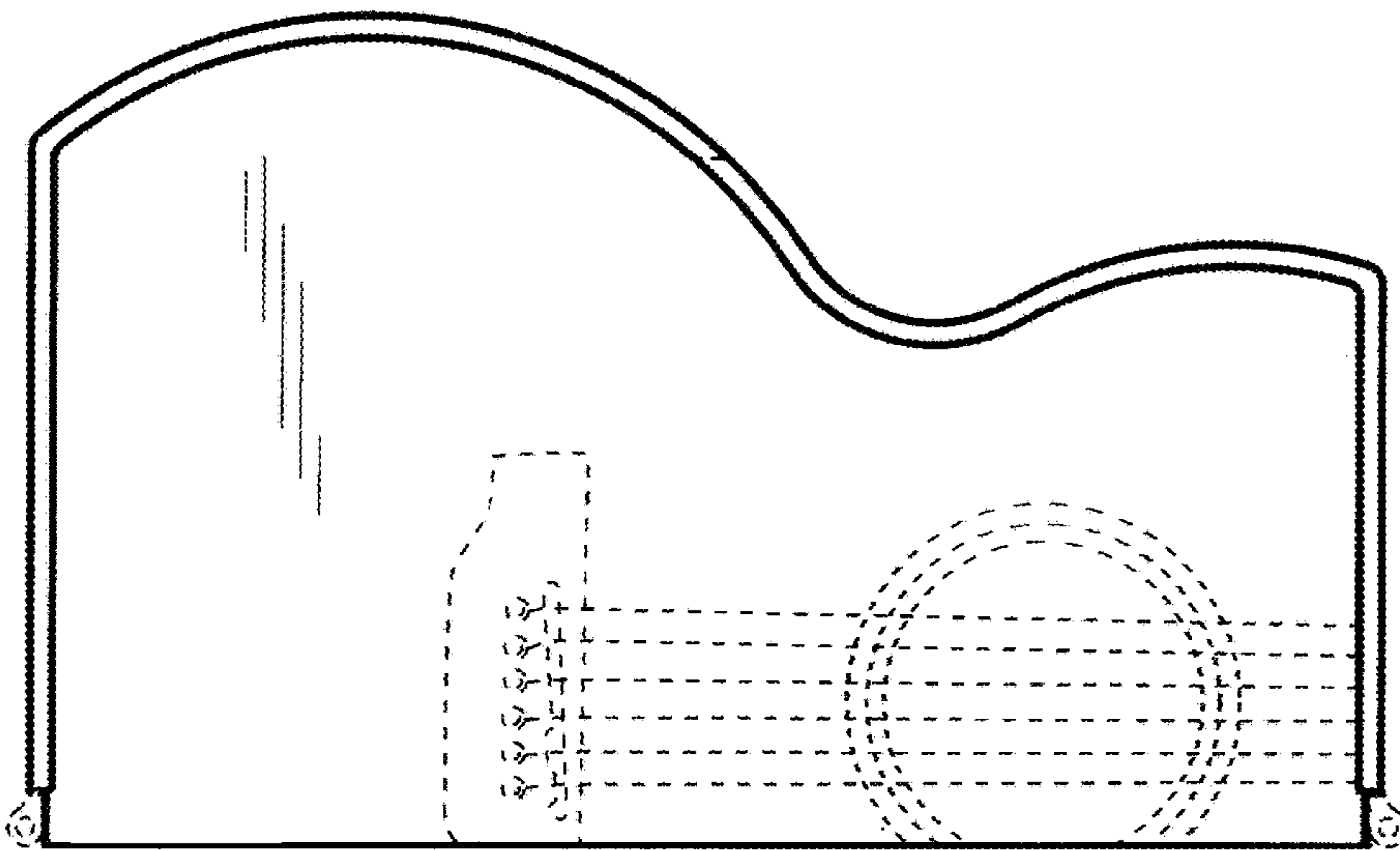
A Guitar-Shaped Box, posted at Woodwithstrings.blogspot.com, posted on Feb. 5, 2014, site visited Sep. 25, 2018. online, available from internet: <http://woodwithstrings.blogspot.com/2014/02/a-guitar-shaped-box.html> (Year: 2014).\*

\* cited by examiner

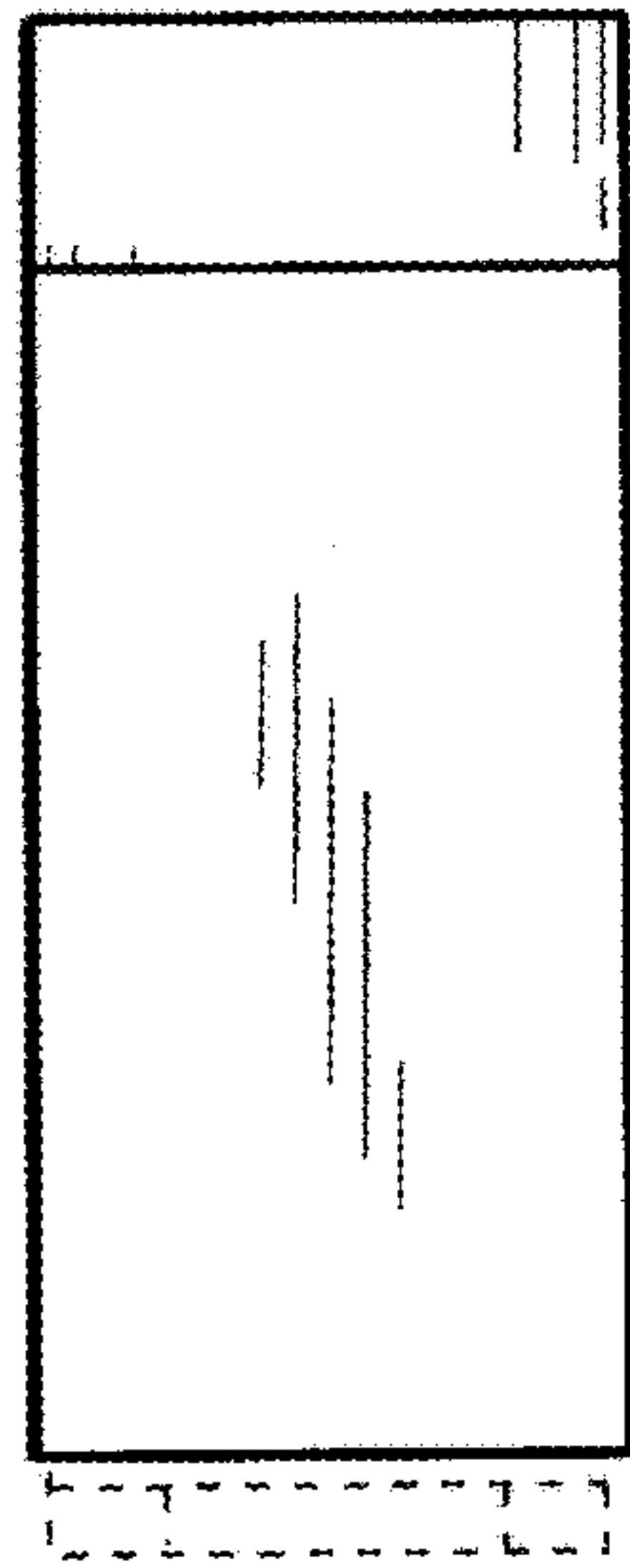




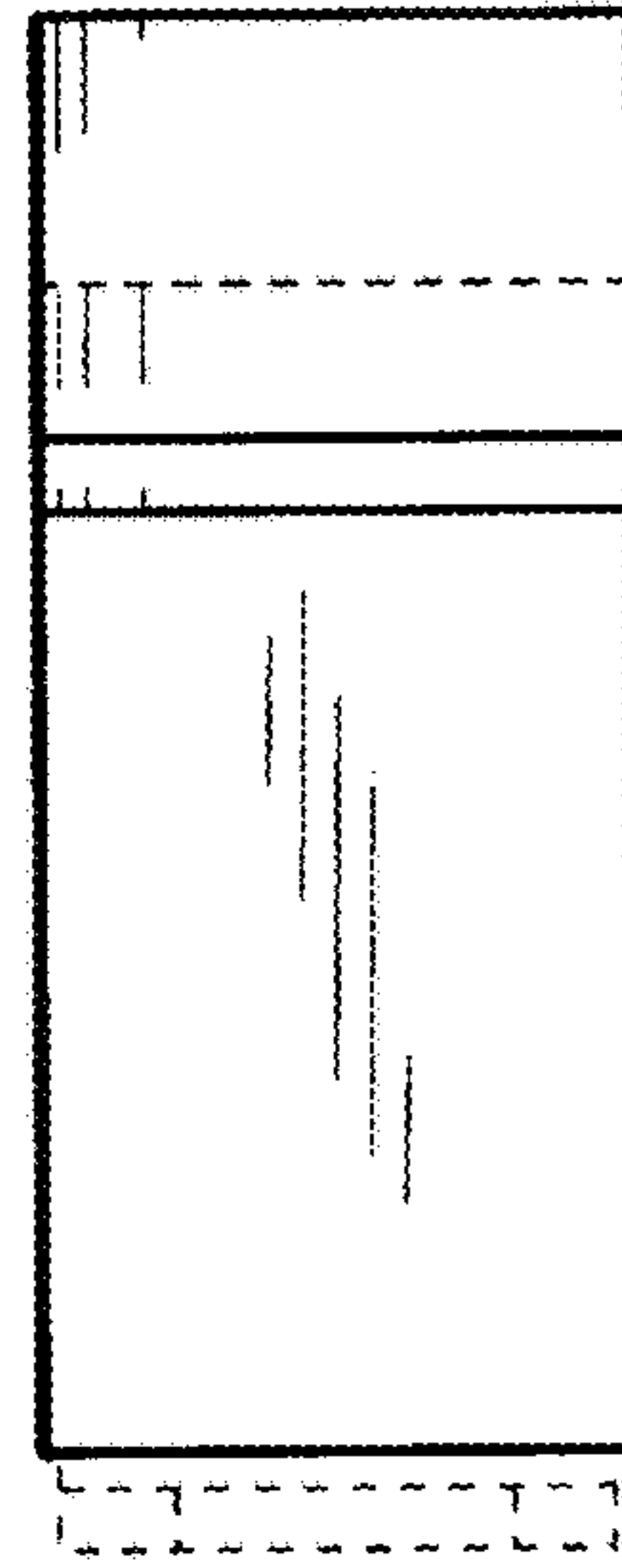
*FIG. 3*



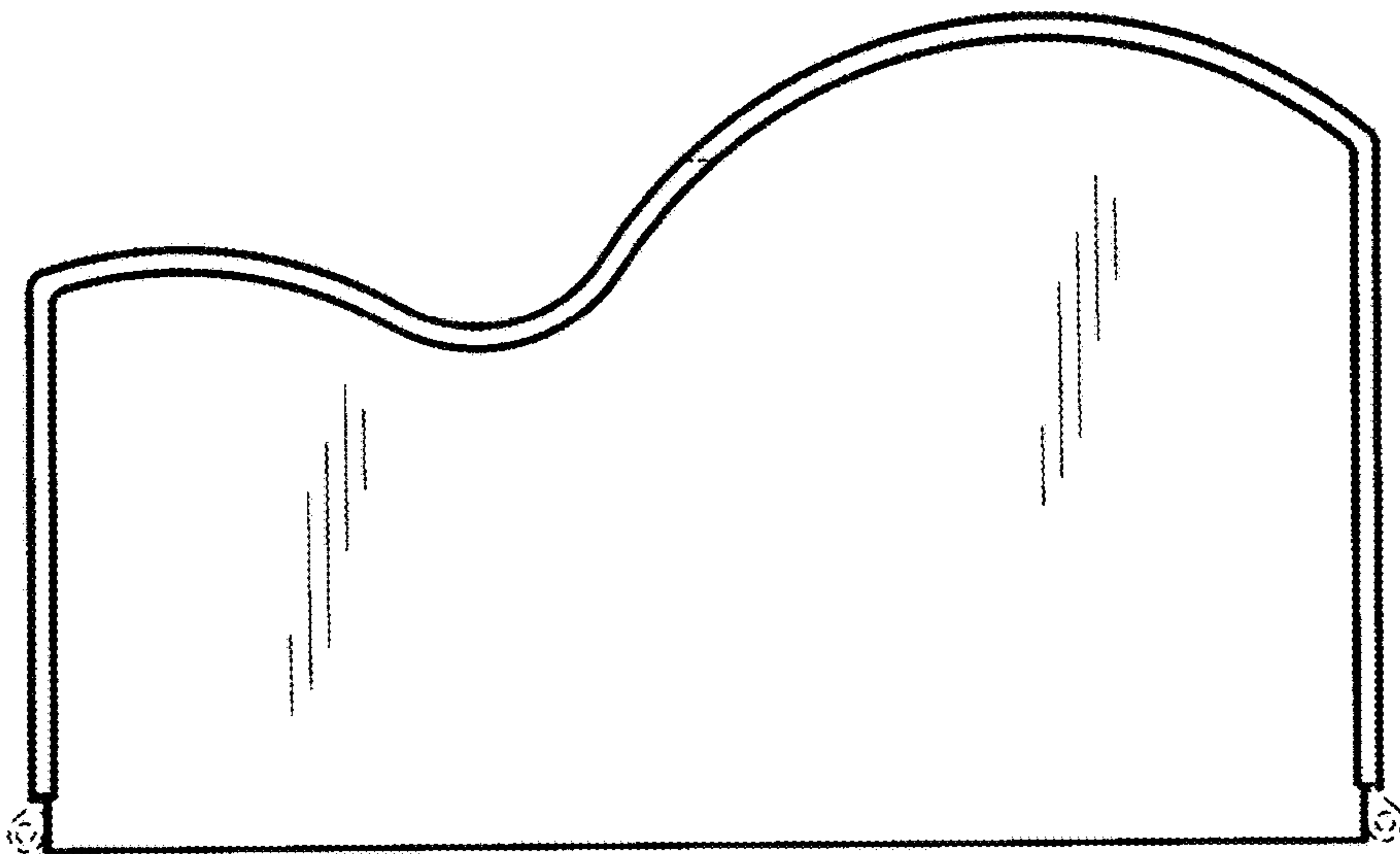
*FIG. 2*



*FIG. 4*



*FIG. 5*



*FIG. 6*