



US00D835906S

(12) **United States Design Patent** (10) **Patent No.:** **US D835,906 S**  
**Ödén** (45) **Date of Patent:** **\*\* Dec. 18, 2018**

(54) **PURSE WALLET**

(71) Applicant: **Thomas Ödén**, Malmö (SE)

(72) Inventor: **Thomas Ödén**, Malmö (SE)

(\*\*) Term: **15 Years**

(21) Appl. No.: **29/613,790**

(22) Filed: **Aug. 14, 2017**

(51) **LOC (11) Cl.** ..... **03-01**

(52) **U.S. Cl.**  
USPC ..... **D3/249**

(58) **Field of Classification Search**  
USPC ..... D3/247, 249–253, 300  
CPC ..... A45C 1/06; A45C 3/08  
See application file for complete search history.

(56) **References Cited**

**U.S. PATENT DOCUMENTS**

D424,803 S \* 5/2000 Kojoori ..... D3/247  
D690,098 S \* 9/2013 Murchison ..... D3/232

\* cited by examiner

*Primary Examiner* — Holly H Baynham

(74) *Attorney, Agent, or Firm* — Fredrikson & Byron, P.A.

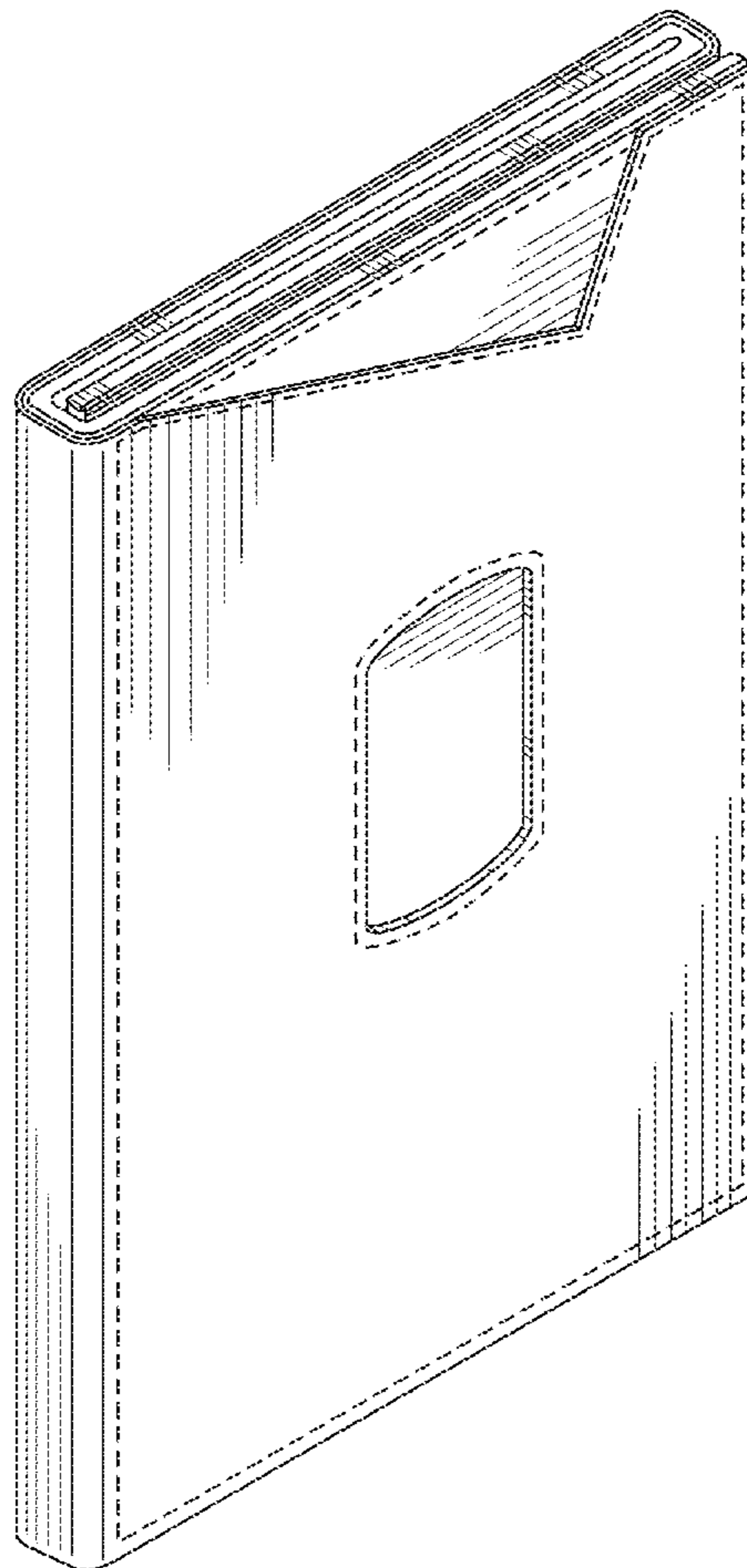
(57) **CLAIM**

I claim the ornamental design for a purse wallet, as shown and described.

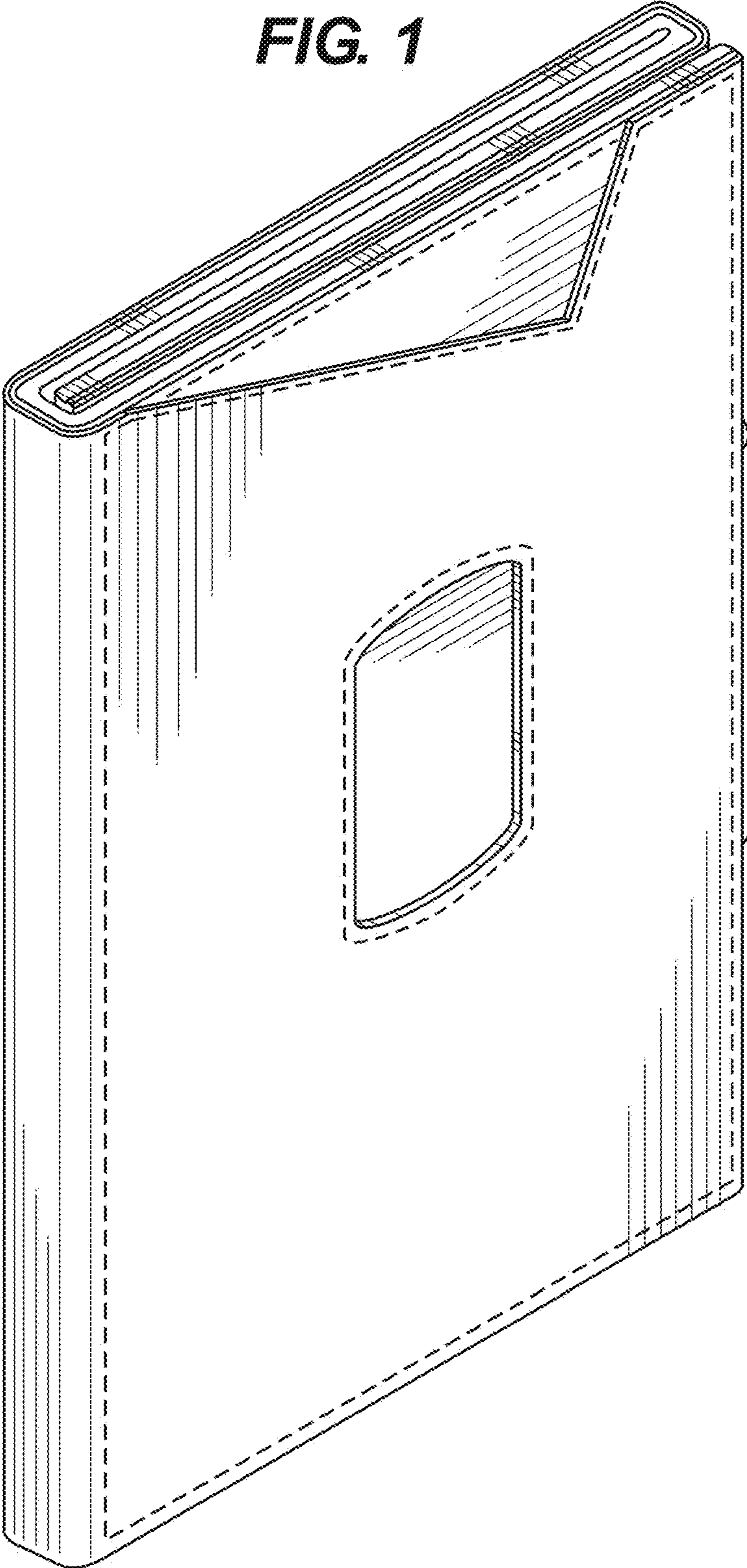
**DESCRIPTION**

FIG. 1 is a front perspective view of my new design for a purse wallet;  
FIG. 2 is a front elevation view thereof;  
FIG. 3 is a right side view thereof;  
FIG. 4 is a left side view thereof;  
FIG. 5 is a top view thereof;  
FIG. 6 is a bottom view thereof;  
FIG. 7 is a back elevation view thereof; and,  
FIG. 8 is a perspective front view, showing the purse wallet in an open configuration.  
The broken lines representing stitching are part of the claimed design.

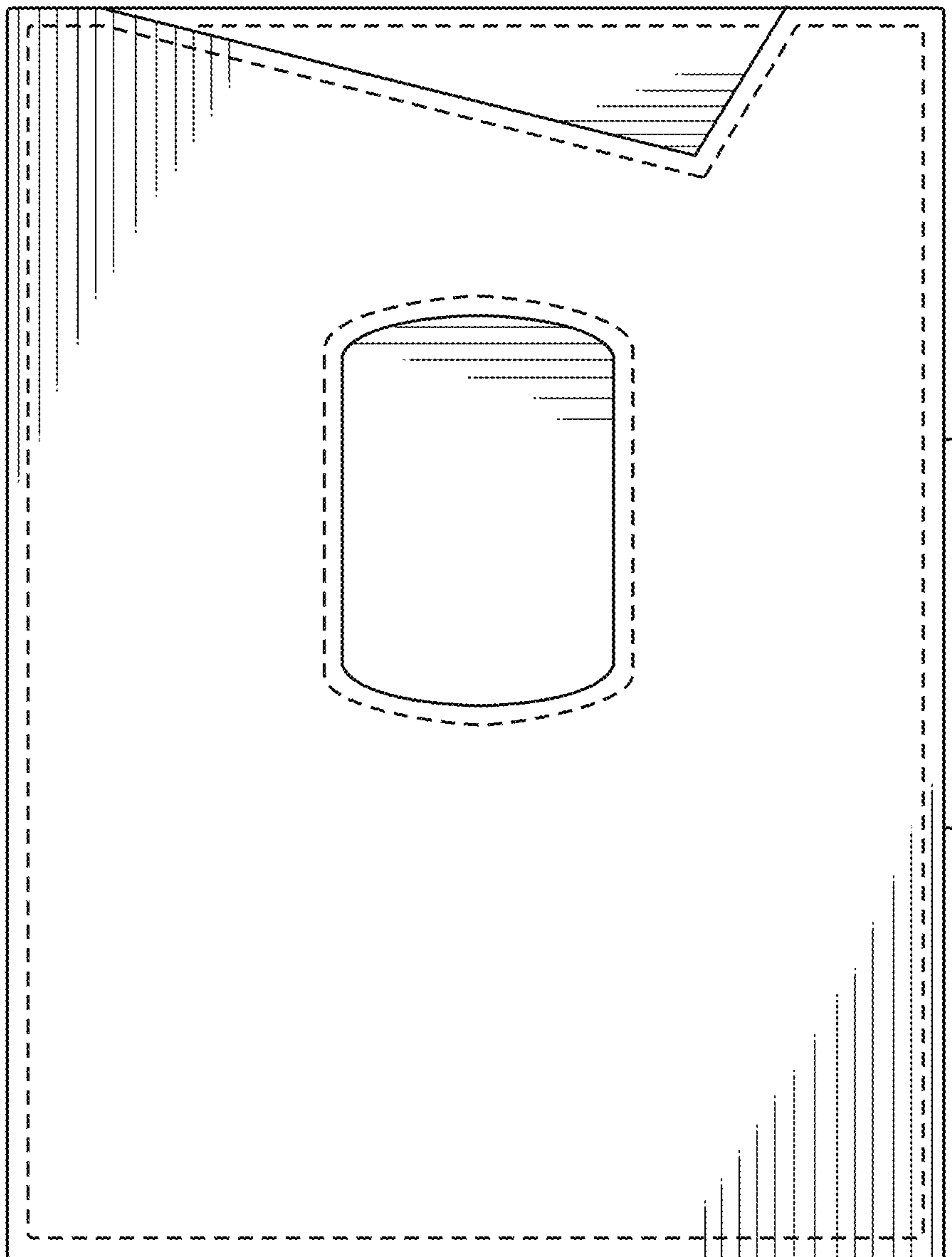
**1 Claim, 5 Drawing Sheets**



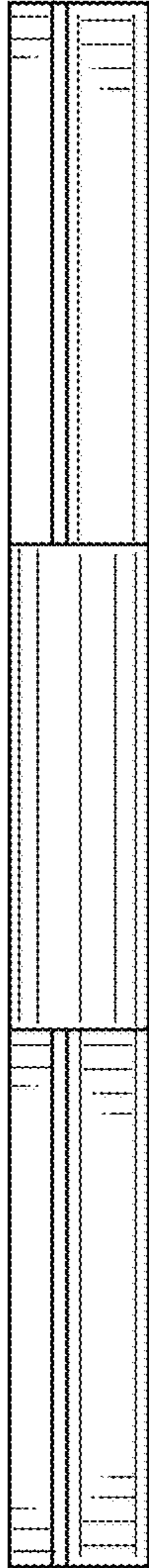
**FIG. 1**



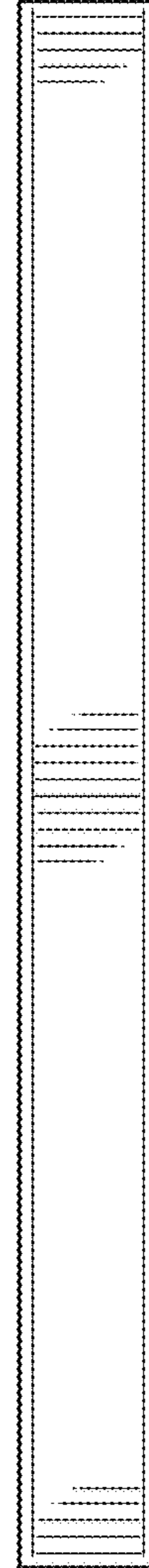
**FIG. 2**



**FIG. 3**



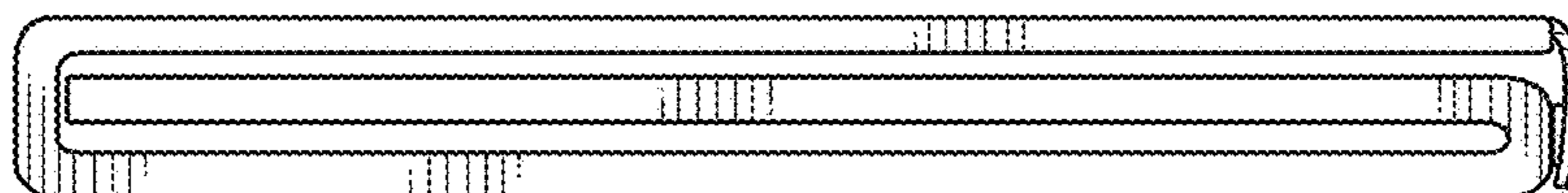
**FIG. 4**



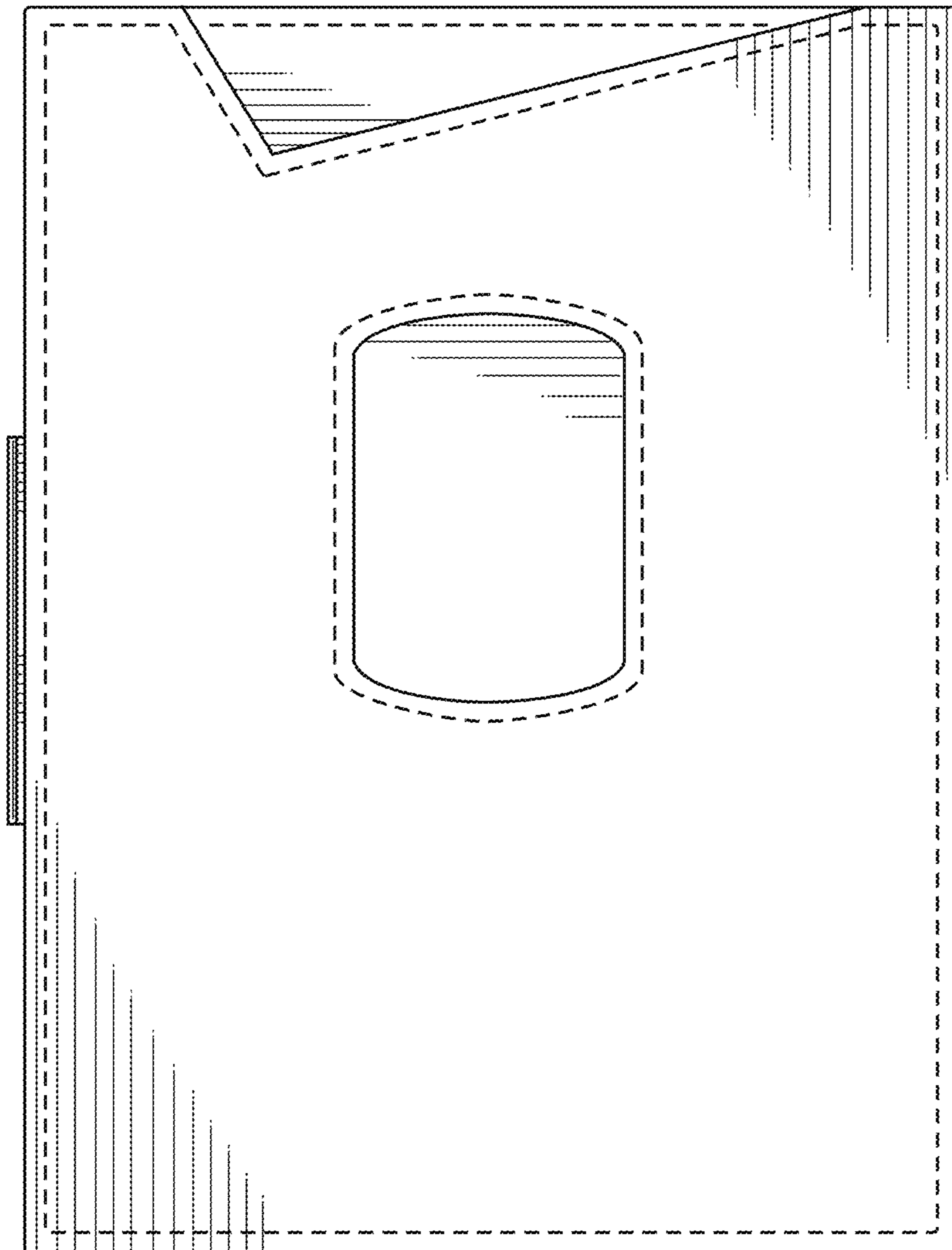
**FIG. 5**



**FIG. 6**



**FIG. 7**



**FIG. 8**

