



US00D835905S

(12) **United States Design Patent** (10) **Patent No.:** **US D835,905 S**  
**Sassi** (45) **Date of Patent:** **\*\* Dec. 18, 2018**

(54) **BAG**  
(71) Applicant: **VALENTINO S.p.A.**, Milan (IT)  
(72) Inventor: **Stefano Sassi**, Milan (IT)  
(73) Assignee: **VALENTINO S.p.A.**, Milan (IT)  
(\*\*) Term: **15 Years**

(21) Appl. No.: **29/610,160**  
(22) Filed: **Jul. 10, 2017**

(30) **Foreign Application Priority Data**

Jan. 11, 2017 (IT) ..... 402017000002398  
(51) **LOC (11) Cl.** ..... **03-01**  
(52) **U.S. Cl.**  
USPC ..... **D3/243**  
(58) **Field of Classification Search**  
USPC ..... D3/232-233, 240-243, 245-246  
CPC ..... A45C 1/024; A45C 3/06  
See application file for complete search history.

(56) **References Cited**

**U.S. PATENT DOCUMENTS**

D691,798 S \* 10/2013 Venturini Fendi ..... D3/232  
D746,053 S \* 12/2015 Sassi ..... D3/232

D767,882 S \* 10/2016 Javits, Jr. .... D3/232  
\* cited by examiner

*Primary Examiner* — Holly H Baynham  
(74) *Attorney, Agent, or Firm* — Thomas I Horstemeyer, LLP

(57) **CLAIM**

The ornamental design for a bag, as shown and described.

**DESCRIPTION**

FIG. 1 is a perspective view of a bag showing my new design;  
FIG. 2 is a front elevational view thereof;  
FIG. 3 is a rear elevational view thereof, opposite that of FIG. 2;  
FIG. 4 is a side elevational view thereof;  
FIG. 5 is a side elevational view thereof, from a side opposite that of FIG. 4;  
FIG. 6 is a top view thereof; and,  
FIG. 7 is a bottom view thereof, opposite that of FIG. 6.  
The broken lines in FIGS. 1-7 denote stitching on portions of the bag and form part of the claimed design.

**1 Claim, 7 Drawing Sheets**





FIG. 1



FIG. 2

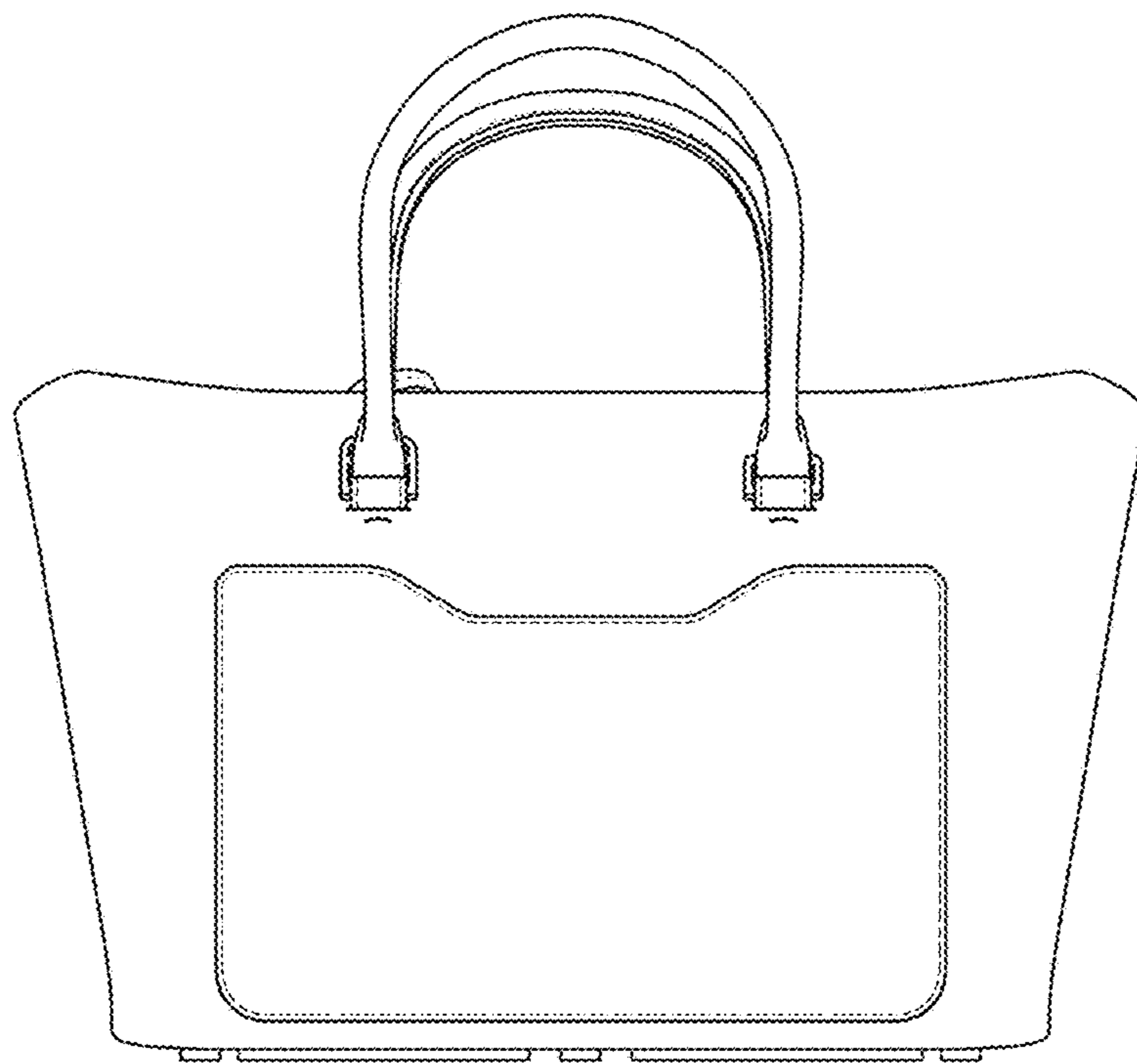


FIG. 3

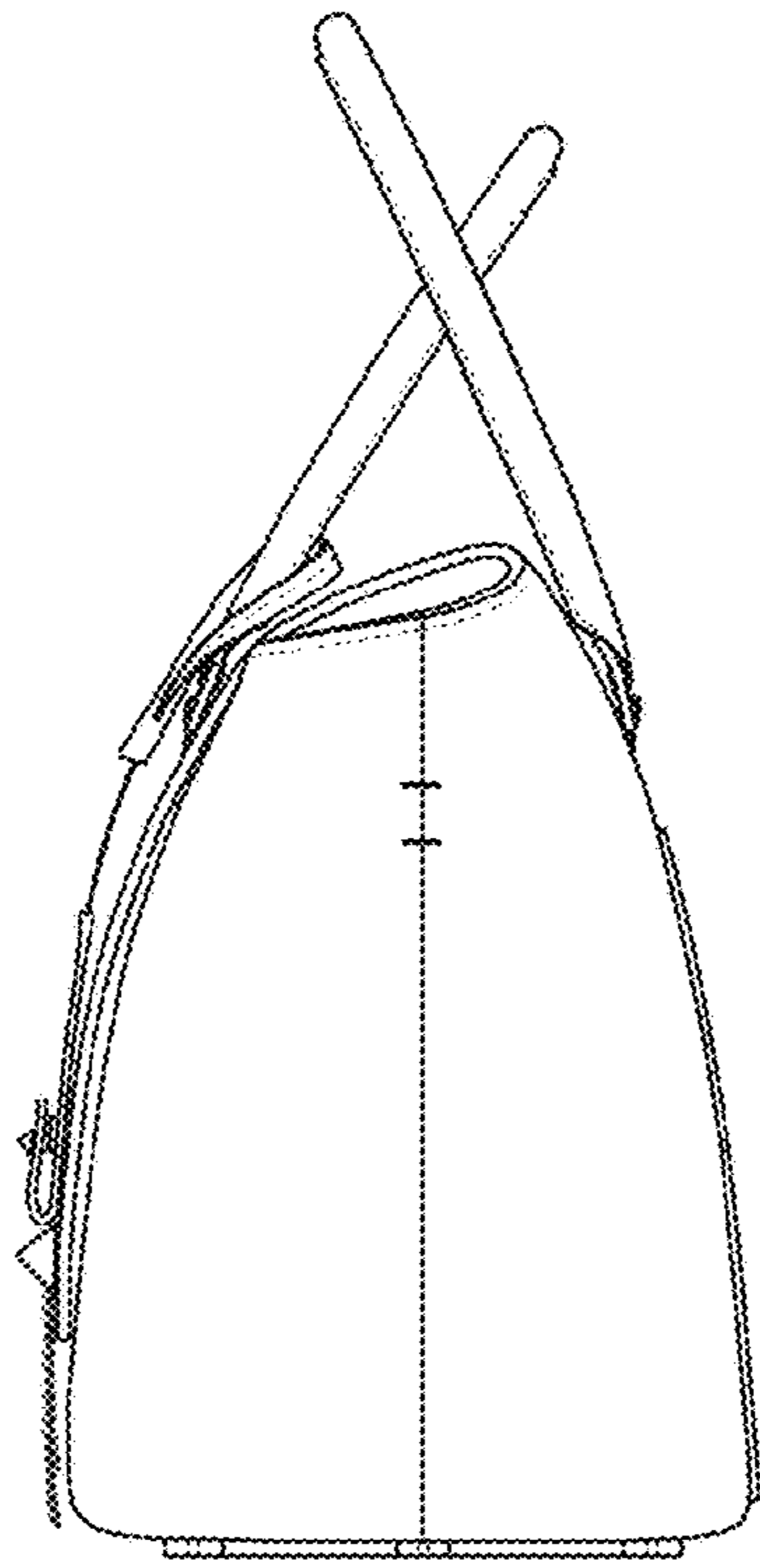


FIG. 4

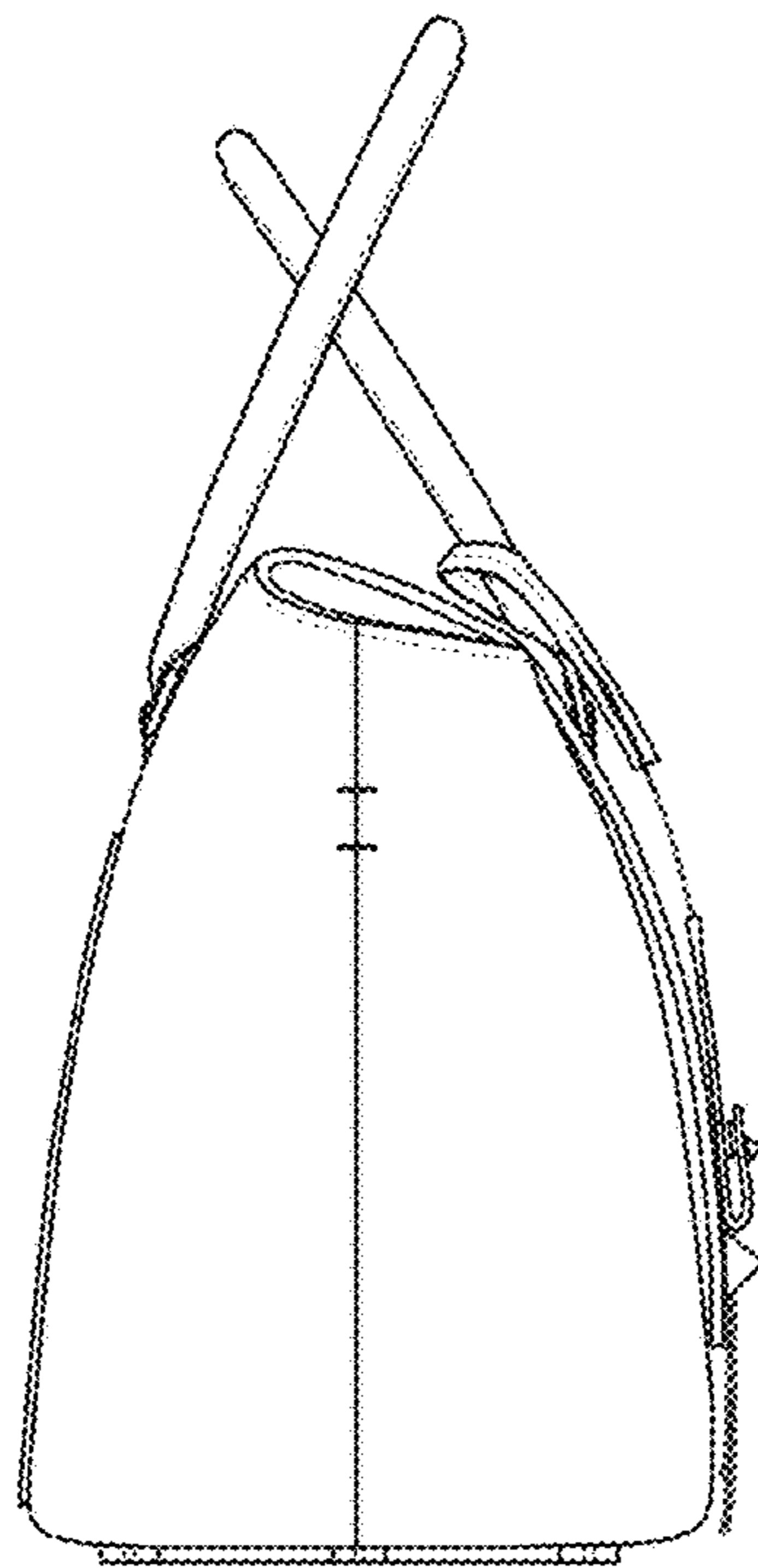


FIG. 5

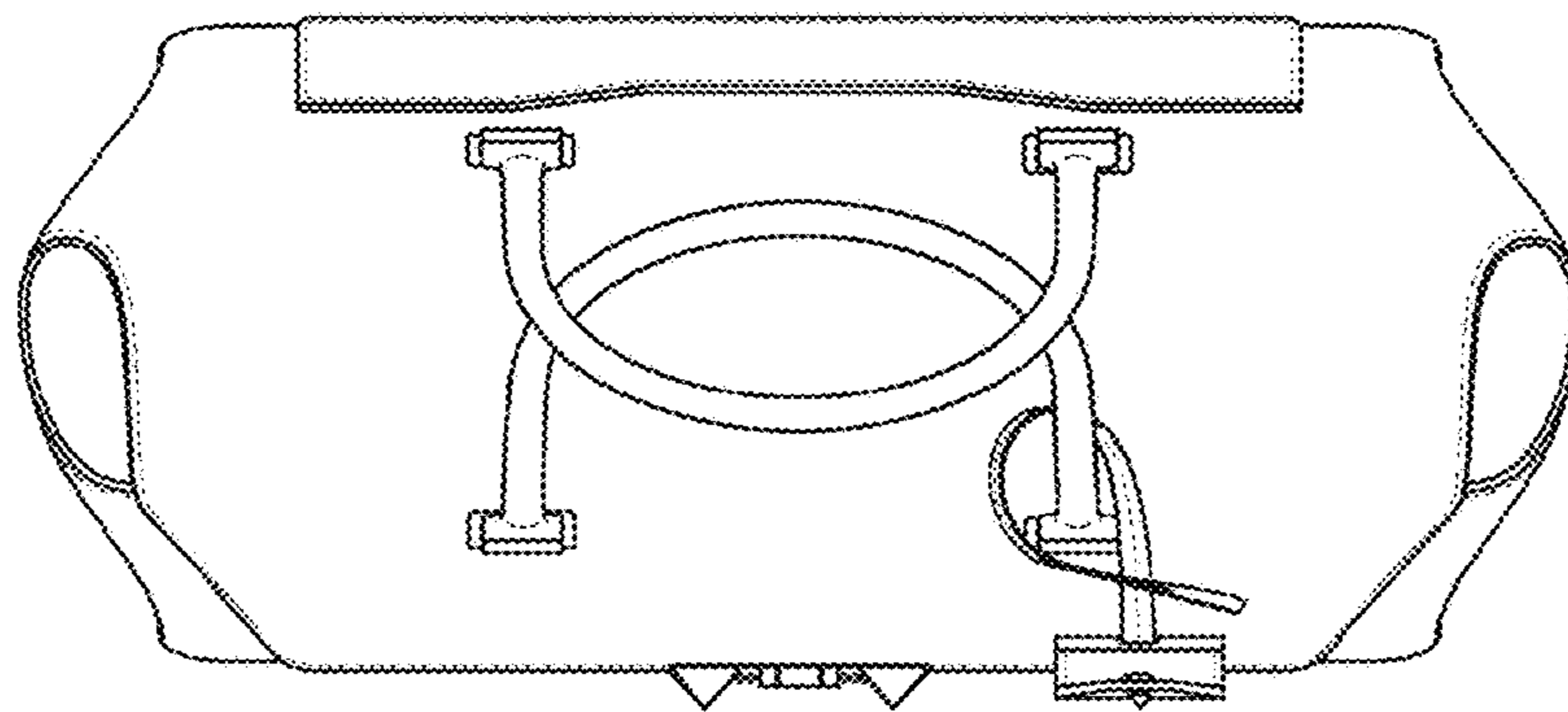


FIG. 6

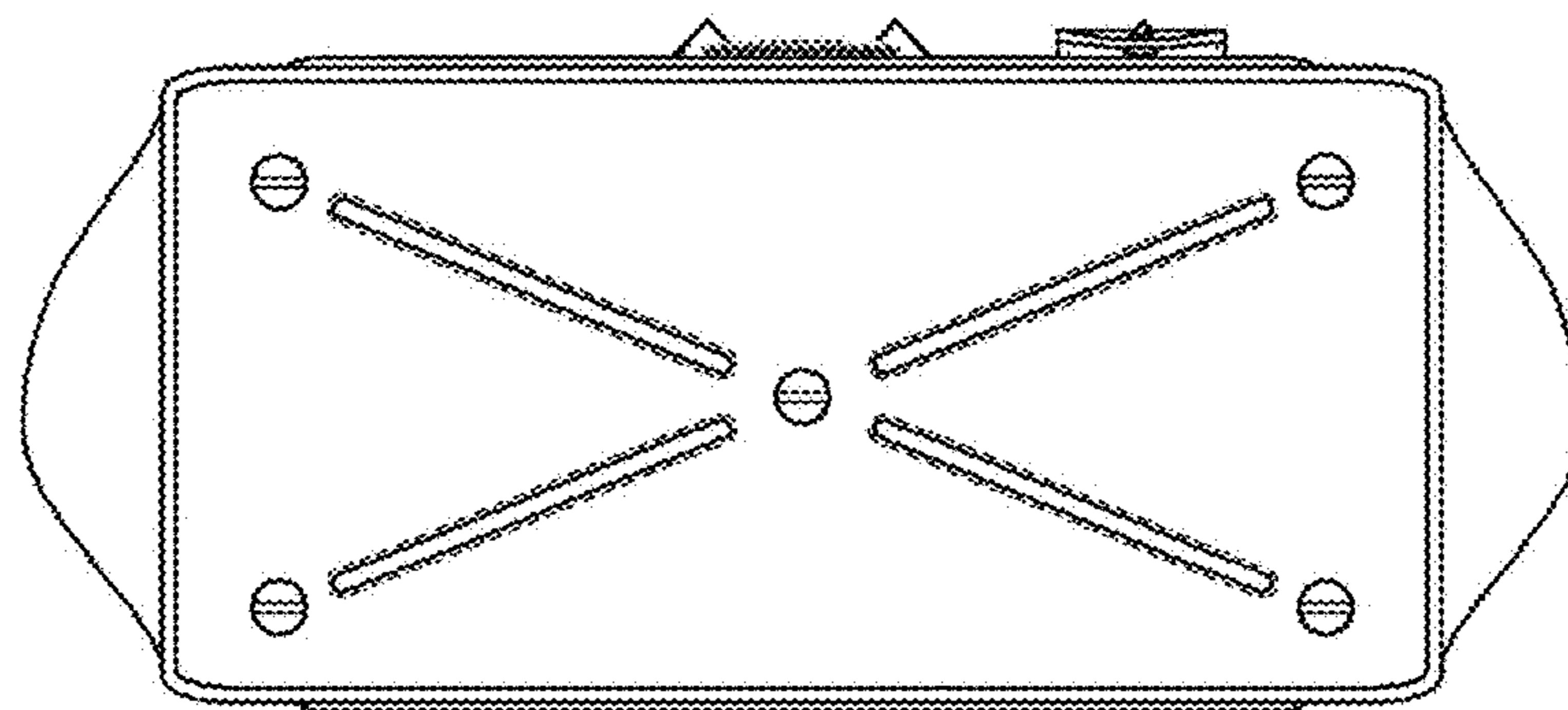


FIG. 7