



US00D835904S

(12) **United States Design Patent**  
**Nair**

(10) **Patent No.:** **US D835,904 S**

(45) **Date of Patent:** **\*\* Dec. 18, 2018**

(54) **HANDBAG**

(71) Applicant: **MOYNAT PARIS SAS**, Paris (FR)

(72) Inventor: **Ramesh Nair**, Paris (FR)

(73) Assignee: **MOYNAT PARIS SAS**, Paris (FR)

(\*\*) Term: **15 Years**

(21) Appl. No.: **29/621,799**

(22) Filed: **Oct. 11, 2017**

(30) **Foreign Application Priority Data**

Sep. 27, 2017 (WO) ..... 4866501

(51) **LOC (11) Cl.** ..... **03-01**

(52) **U.S. Cl.**  
USPC ..... **D3/242**

(58) **Field of Classification Search**  
USPC ..... D3/232–233, 240–243, 245–246  
CPC ..... A45C 1/024; A45C 3/06  
See application file for complete search history.

(56) **References Cited**

**U.S. PATENT DOCUMENTS**

D664,764 S \* 8/2012 Bub ..... D3/242  
D758,070 S \* 6/2016 Frohlich ..... D3/232

D775,821 S \* 1/2017 Gehry ..... D3/242  
D792,091 S \* 7/2017 Sassi ..... D3/232  
D793,079 S \* 8/2017 Broussard ..... D3/233  
D798,048 S \* 9/2017 Nair ..... D3/242  
D804,813 S \* 12/2017 Nair ..... D3/242

\* cited by examiner

*Primary Examiner* — Holly H Baynham

(74) *Attorney, Agent, or Firm* — Avery N. Goldstein;  
Blue Filament Law, PLLC

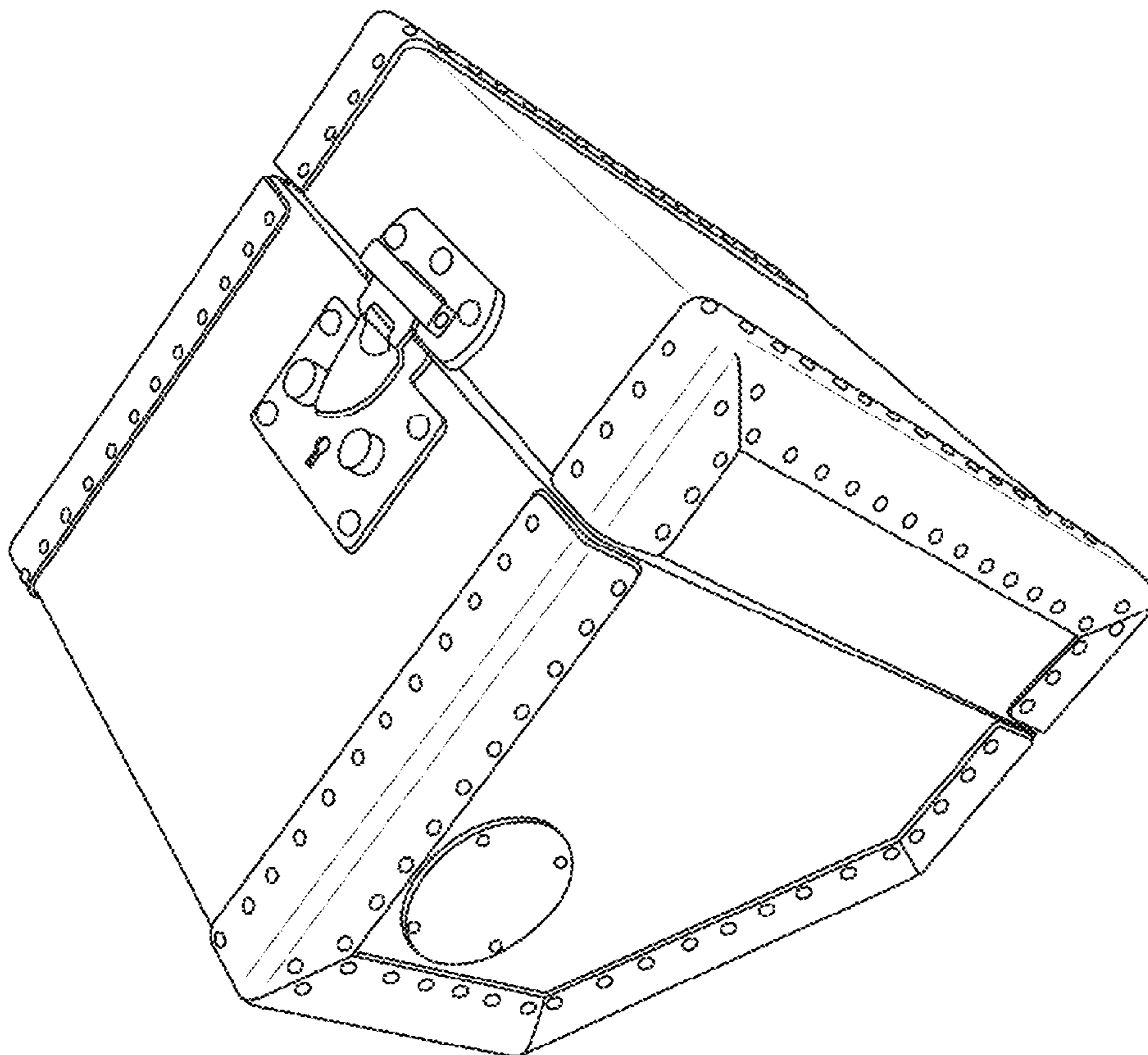
(57) **CLAIM**

The ornamental design for a handbag, as shown and described.

**DESCRIPTION**

FIG. 1 is a front perspective view of a handbag showing my new design;  
FIG. 2 is a front view thereof;  
FIG. 3 is a back view thereof;  
FIG. 4 is left side view thereof;  
FIG. 5 is a right side view thereof;  
FIG. 6 is a top view thereof; and,  
FIG. 7 is a bottom view thereof.

**1 Claim, 7 Drawing Sheets**



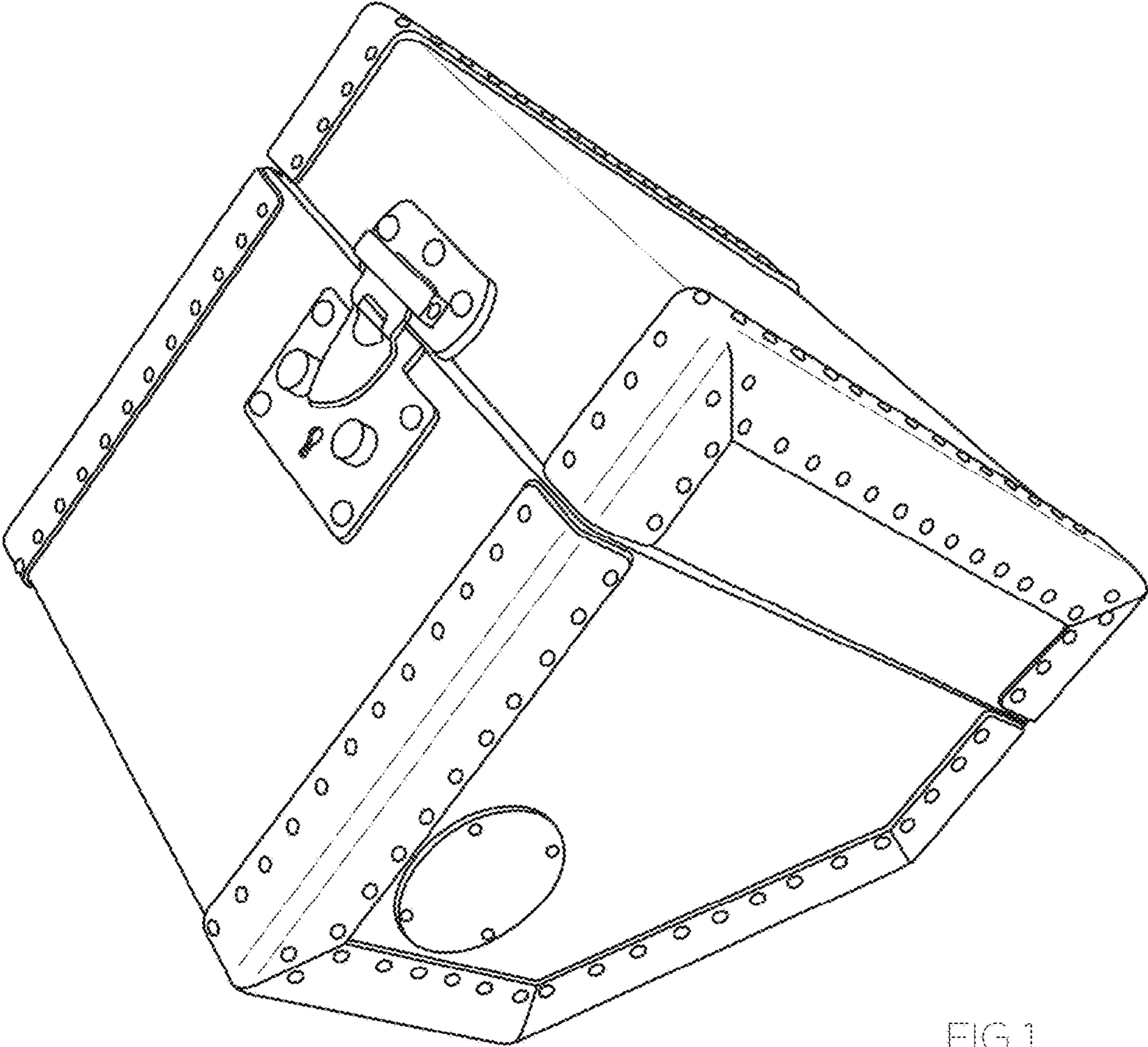


FIG 1

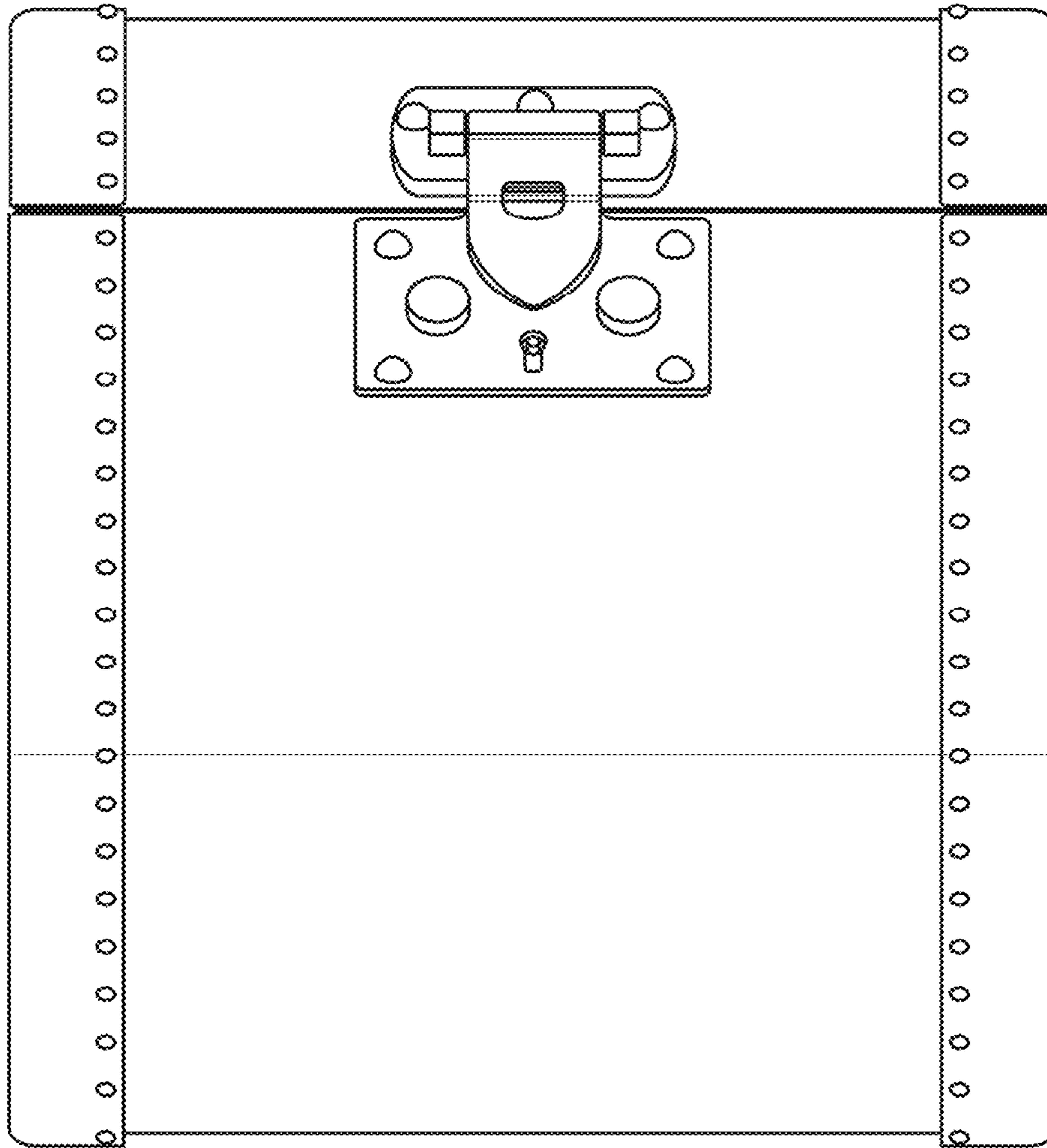


FIG 2

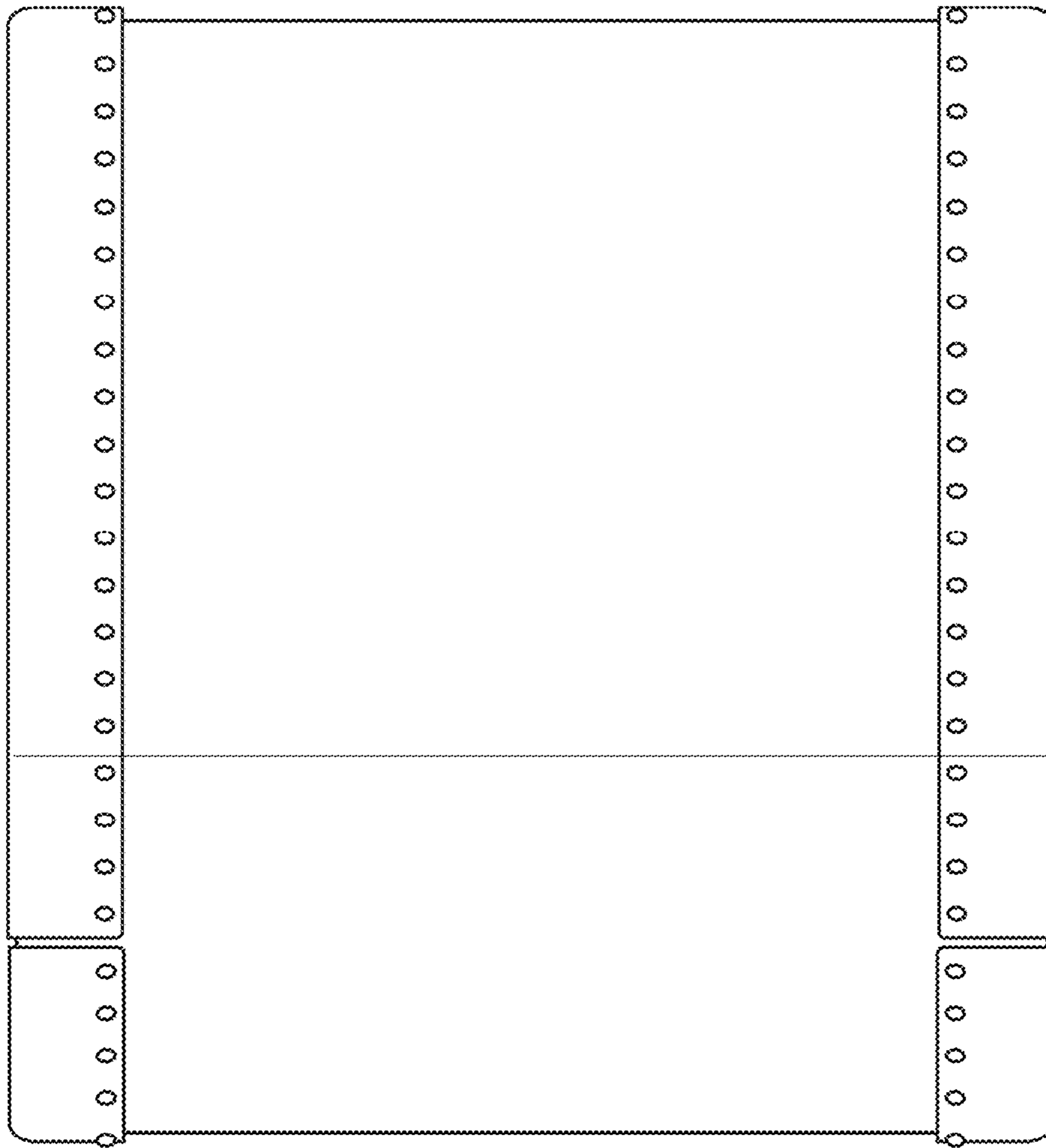


FIG 3

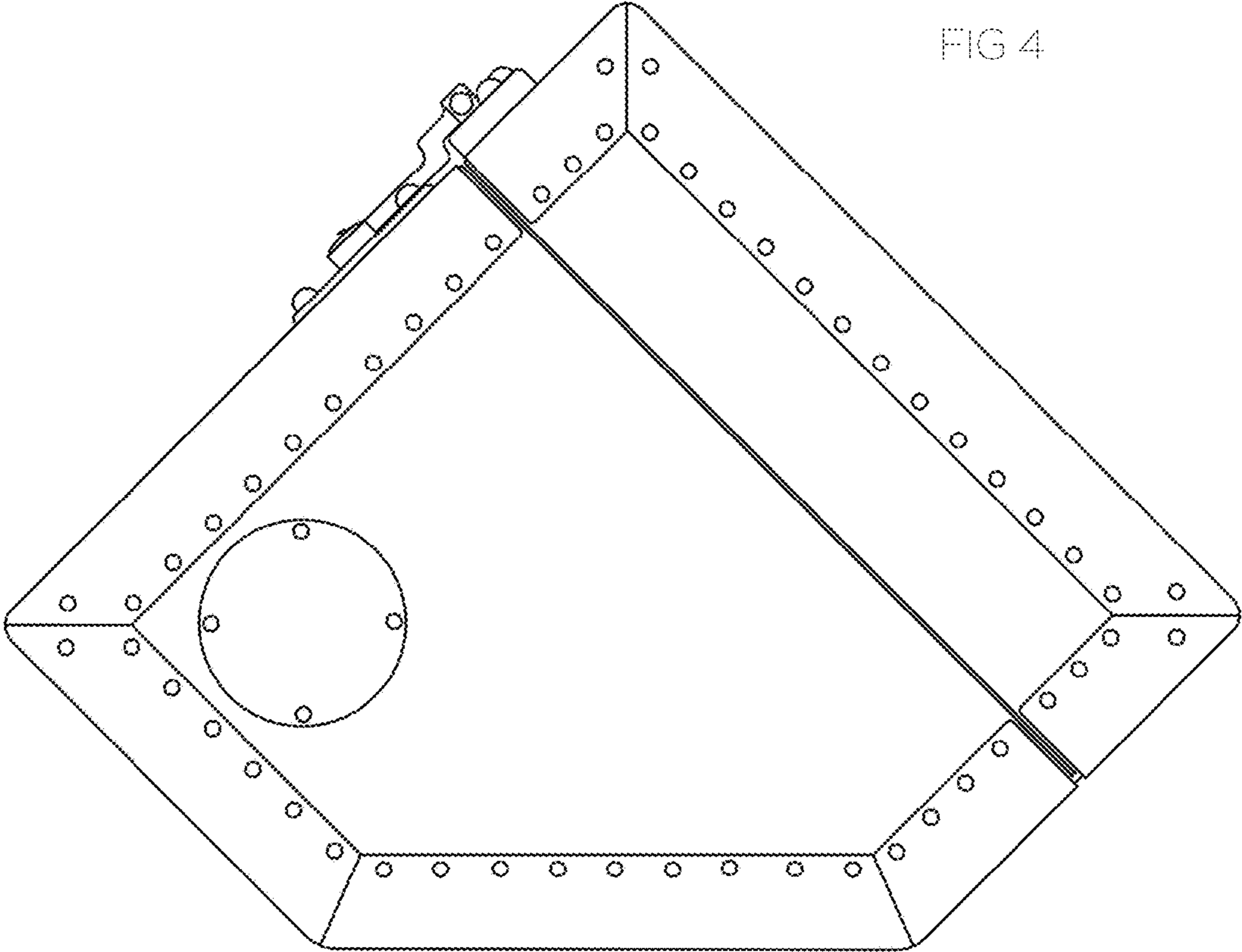


FIG 4

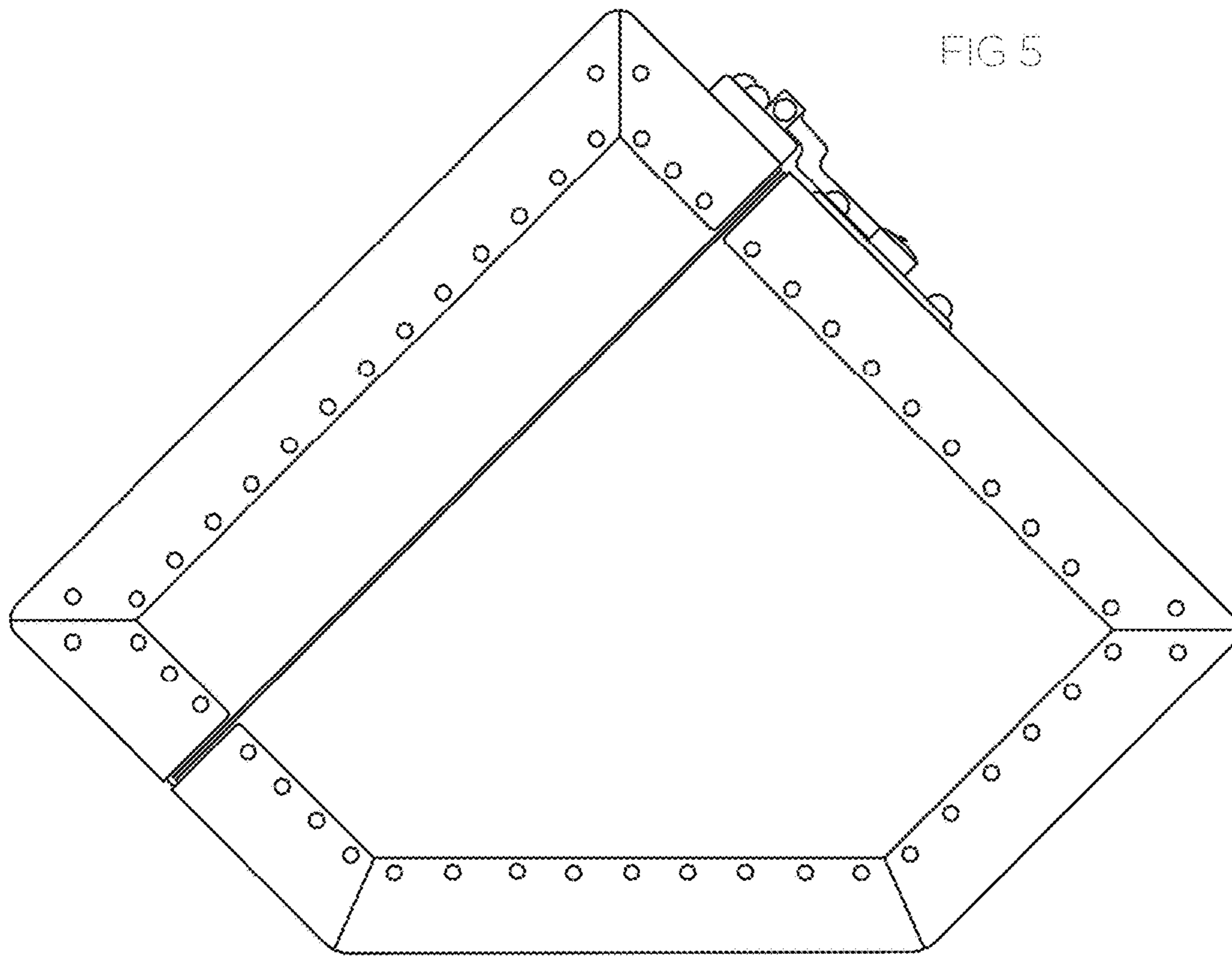


FIG 5

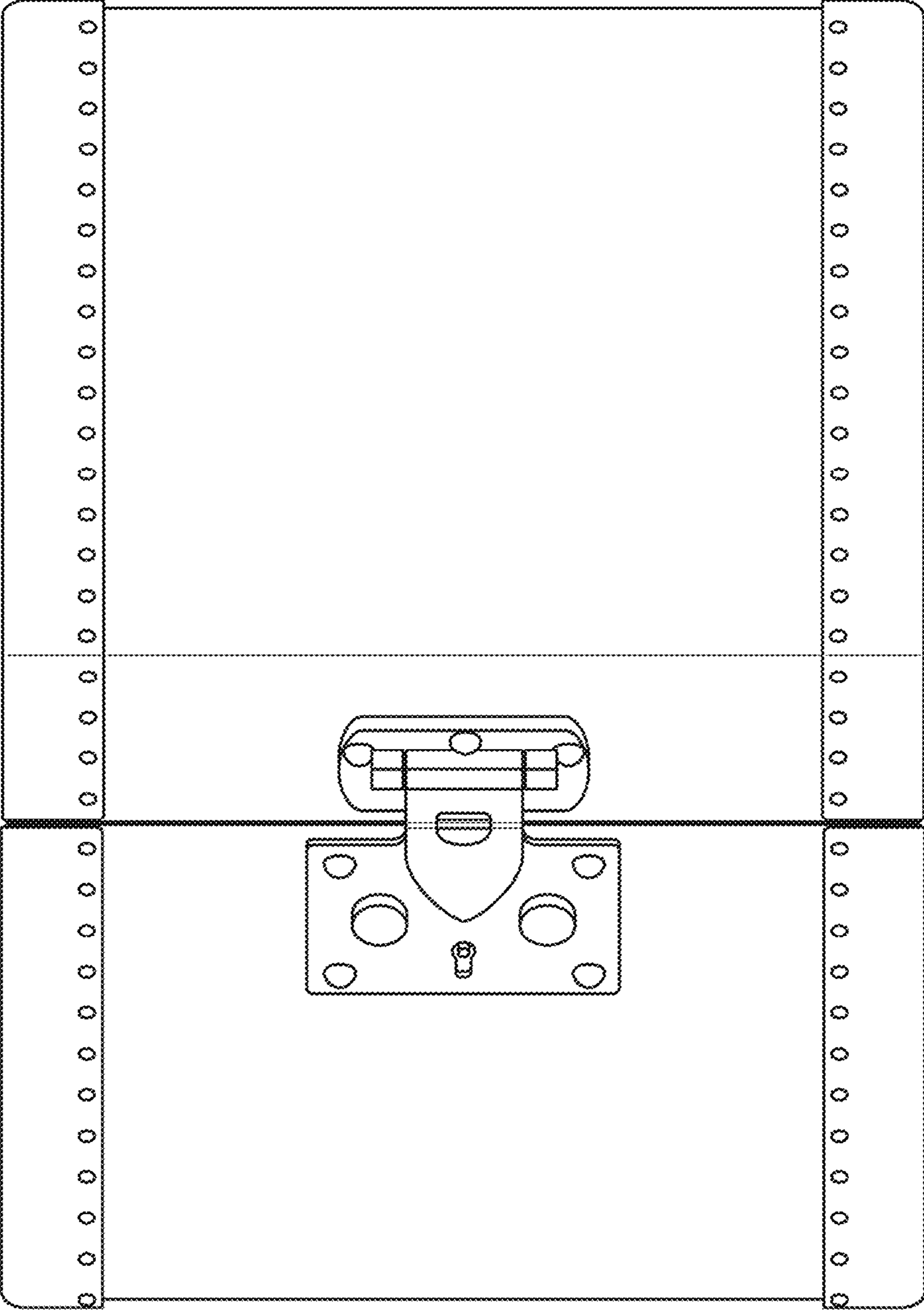


FIG 6

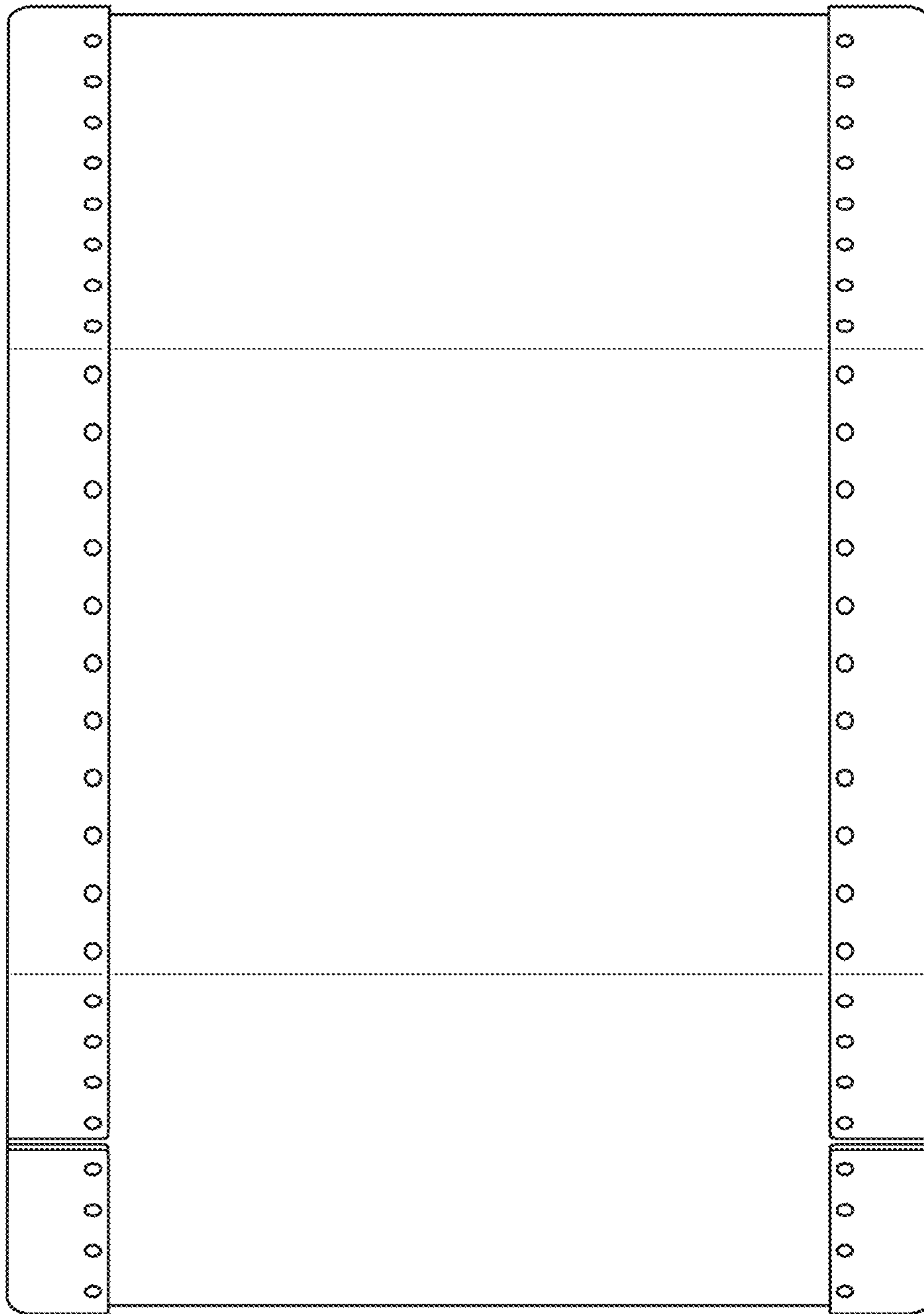


FIG 7