



US00D835903S

(12) **United States Design Patent**  
**Kovac**

(10) **Patent No.:** **US D835,903 S**

(45) **Date of Patent:** **\*\* Dec. 18, 2018**

- (54) **DUTY BELT POUCH**
- (71) Applicant: **Creative Law Enforcement Resources, Inc.**, South Pasadena, CA (US)
- (72) Inventor: **Kresimir Kovac**, South Pasadena, CA (US)
- (73) Assignee: **Creative Law Enforcement Resources, Inc.**, South Pasadena, CA (US)
- (\*\*) Term: **15 Years**
- (21) Appl. No.: **29/593,924**
- (22) Filed: **Feb. 14, 2017**
- (51) **LOC (11) Cl.** ..... **03-01**
- (52) **U.S. Cl.**  
USPC ..... **D3/224**
- (58) **Field of Classification Search**  
USPC ..... D3/222, 224, 226, 215, 228; 206/3;  
224/195-196, 223, 236, 239, 243, 245,  
224/660, 674, 682, 911, 914, 931  
CPC .... A45F 5/00; A45F 5/02; A45F 5/021; F41A  
9/85; F41C 33/021; F41C 33/04; F42B  
39/02  
See application file for complete search history.

- 8,087,560 B2 \* 1/2012 Crye ..... A45F 5/021  
224/660
- 8,104,656 B1 \* 1/2012 George ..... A45F 5/021  
224/239
- 8,985,411 B2 \* 3/2015 Mongan ..... A45F 5/021  
224/195
- D794,324 S \* 8/2017 Roccisano ..... D3/222

\* cited by examiner

*Primary Examiner* — Catherine R Oliver-Garcia  
(74) *Attorney, Agent, or Firm* — Smyrski Law Group, A P.C.

(57) **CLAIM**

The ornamental design for a duty belt pouch, as shown and described.

**DESCRIPTION**

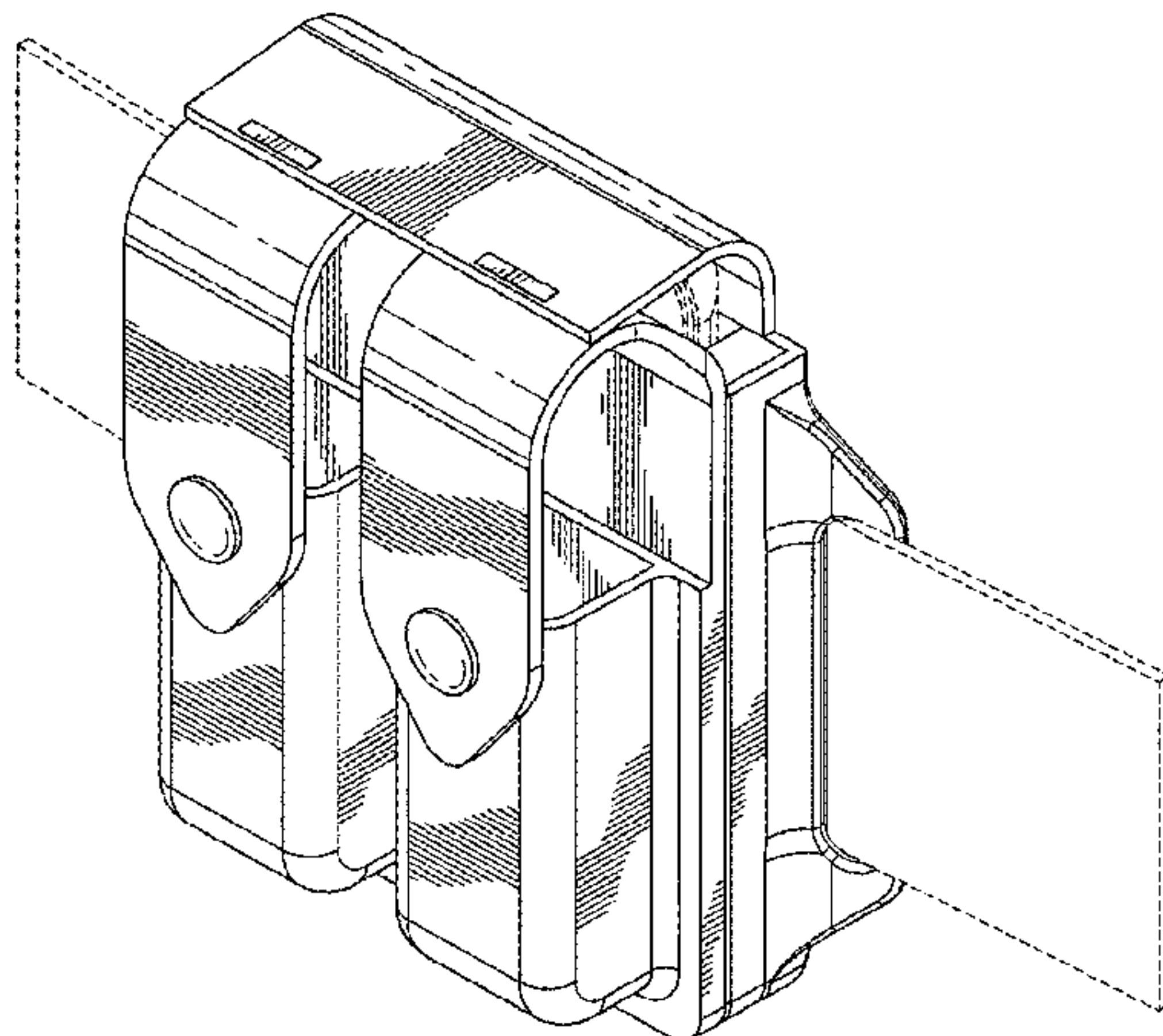
FIG. 1 is a perspective view of a duty belt pouch showing a first embodiment of my new design;  
FIG. 2 is a front view thereof;  
FIG. 3 is a rear view thereof;  
FIG. 4 is a right side elevation view thereof;  
FIG. 5 is a left side elevation view thereof;  
FIG. 6 is a top view thereof;  
FIG. 7 is a bottom view thereof;  
FIG. 8 is a perspective view of a duty belt pouch showing a second embodiment of my new design;  
FIG. 9 is a front view thereof;  
FIG. 10 is a rear view thereof;  
FIG. 11 is a right side elevation view thereof;  
FIG. 12 is a left side elevation view thereof;  
FIG. 13 is a top view thereof; and,  
FIG. 14 is a bottom view thereof.  
Where included, broken lines showing environment or structure are for illustrative purposes only and form no part of the design.

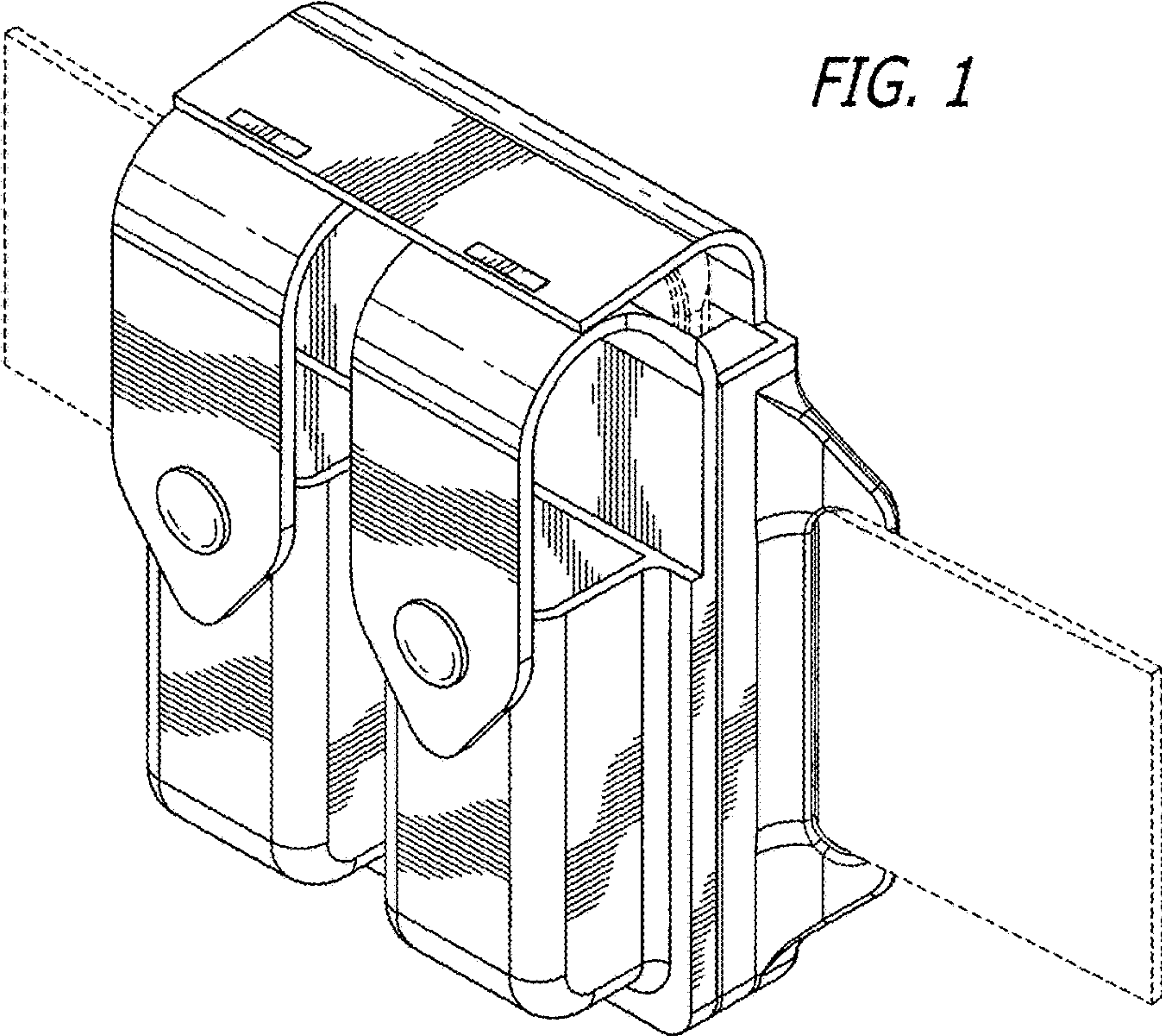
(56) **References Cited**

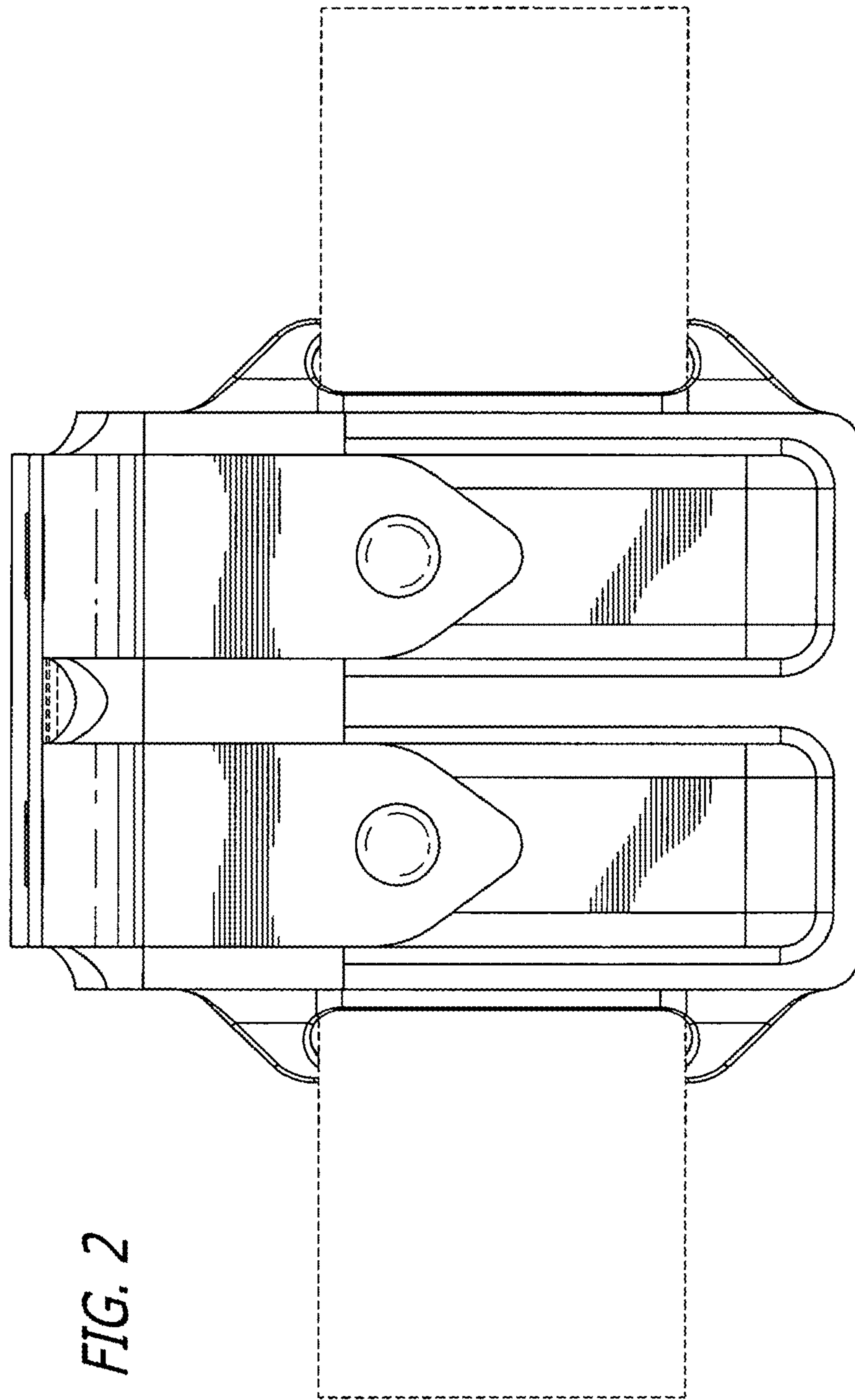
U.S. PATENT DOCUMENTS

- 1,968,767 A \* 7/1934 Howard ..... F42B 39/02  
224/674
- 3,769,733 A \* 11/1973 Nelson ..... F41A 9/85  
224/239
- 5,152,442 A \* 10/1992 Gallagher ..... A45F 5/02  
206/3
- D361,199 S \* 8/1995 Taylor ..... D3/226
- 6,202,908 B1 \* 3/2001 Groover ..... F42B 39/02  
224/236
- 7,918,371 B2 \* 4/2011 Wilson ..... F42B 39/02  
224/196

**1 Claim, 10 Drawing Sheets**







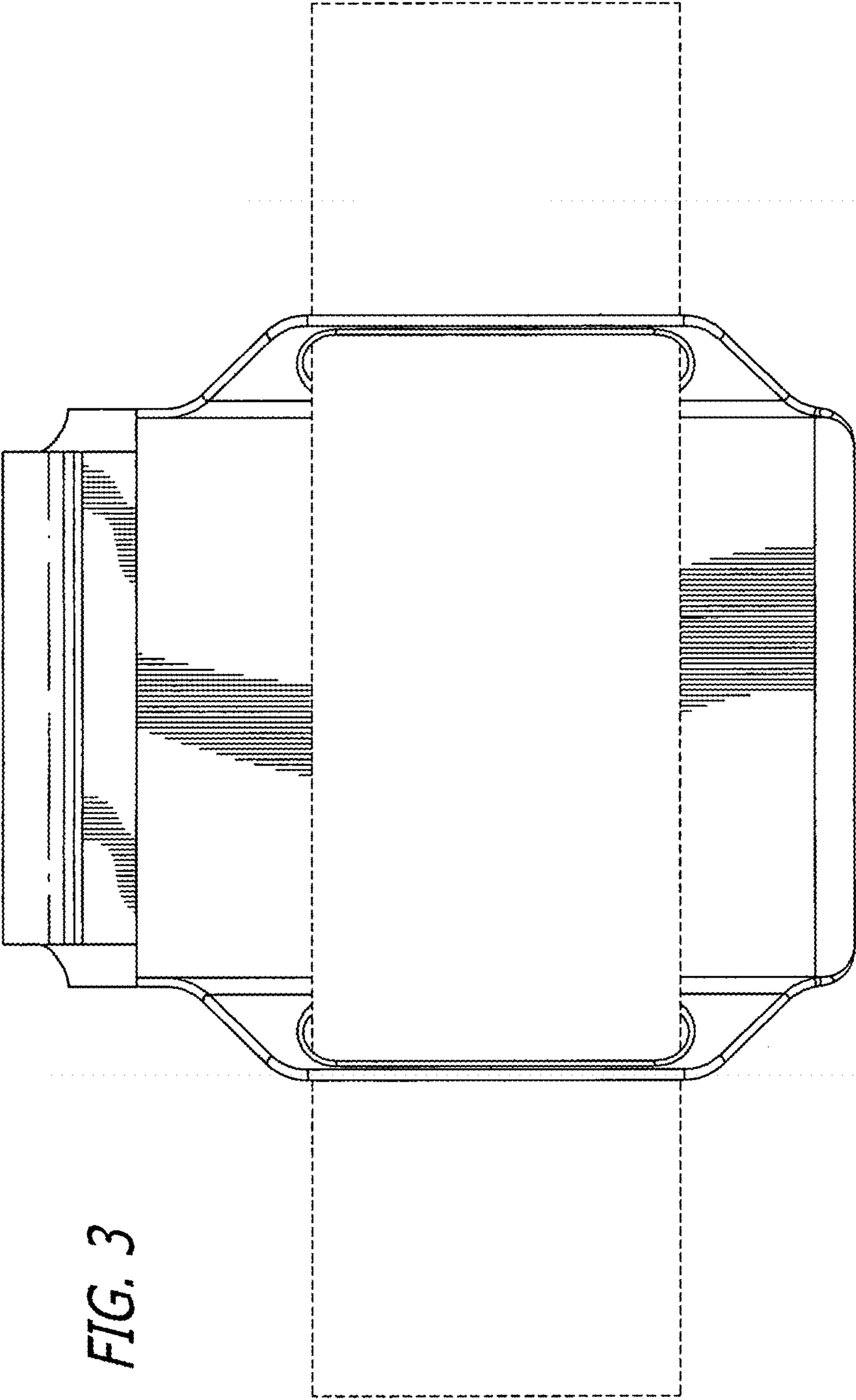
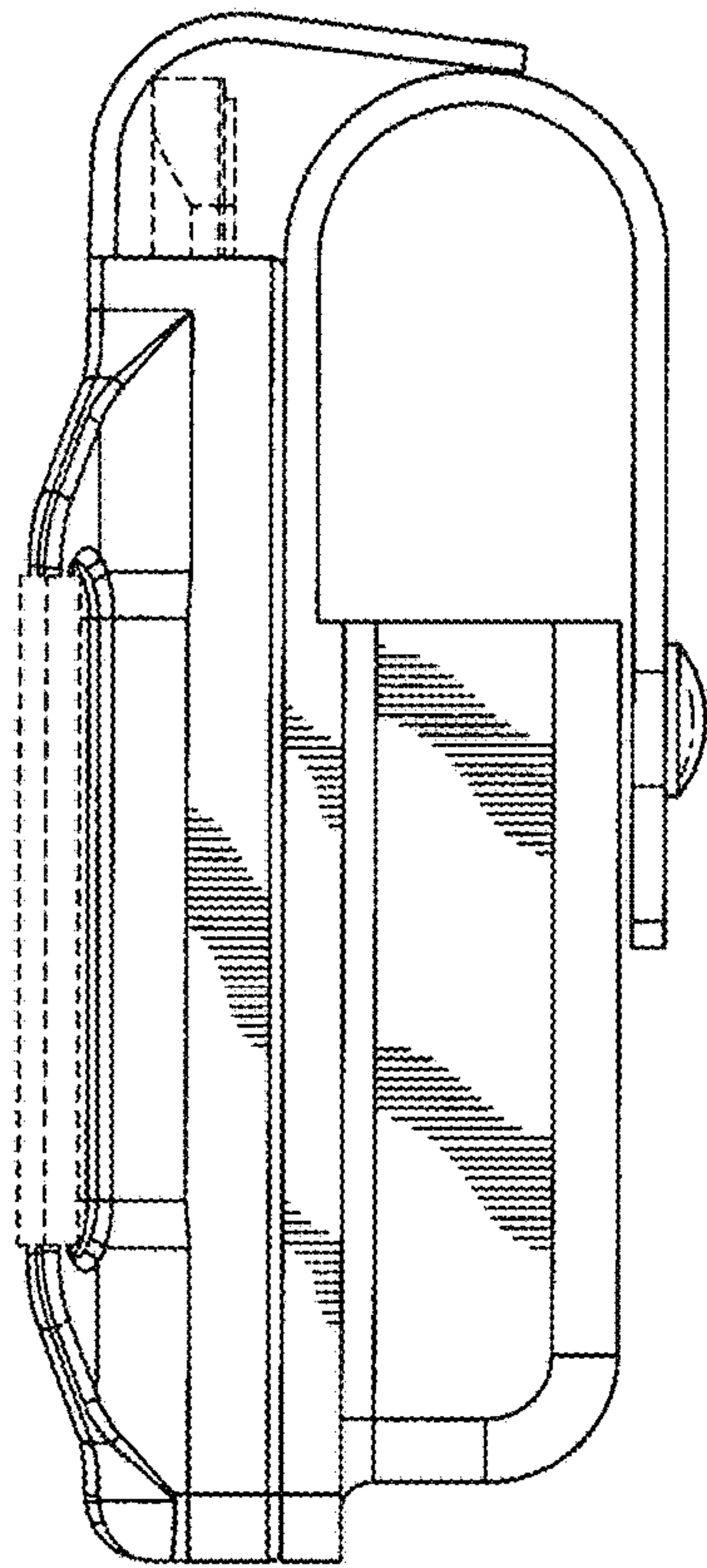
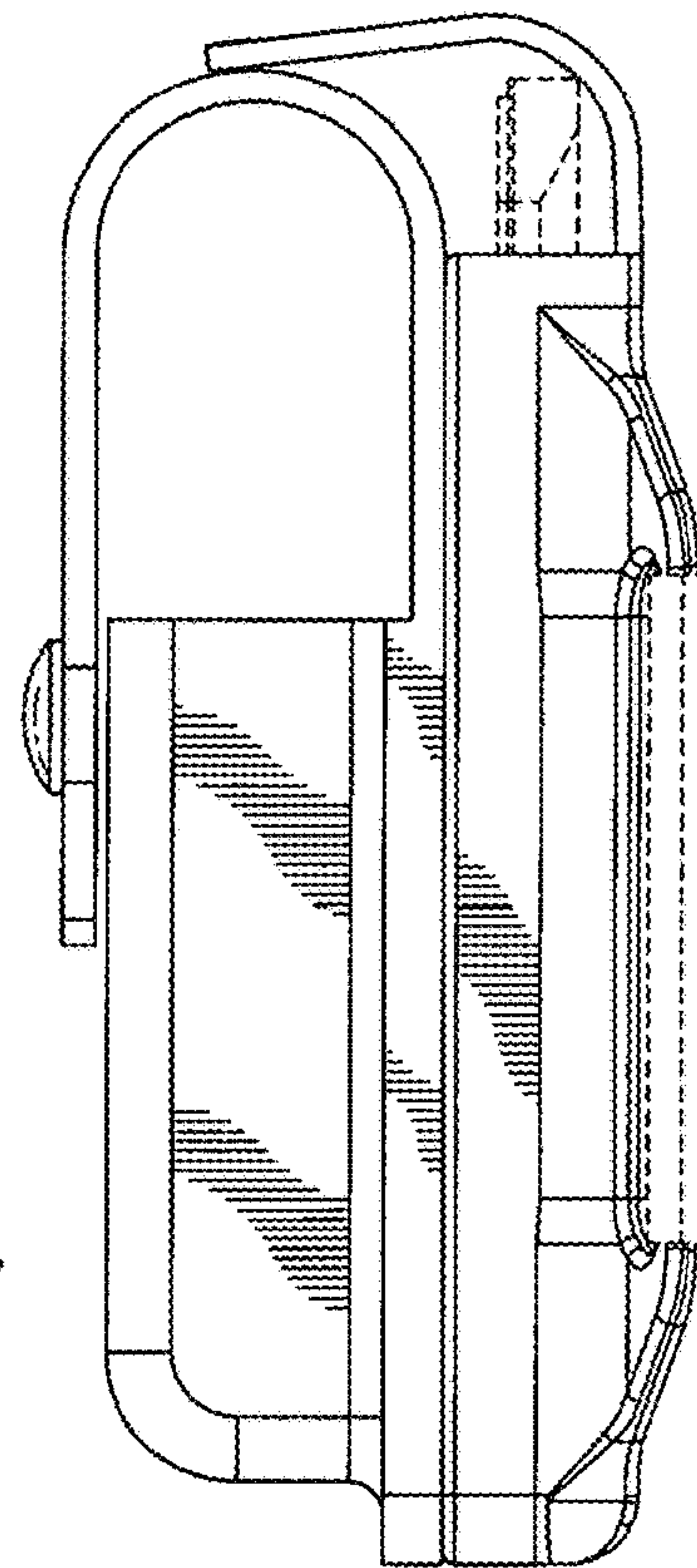


FIG. 3





*FIG. 4*



*FIG. 5*

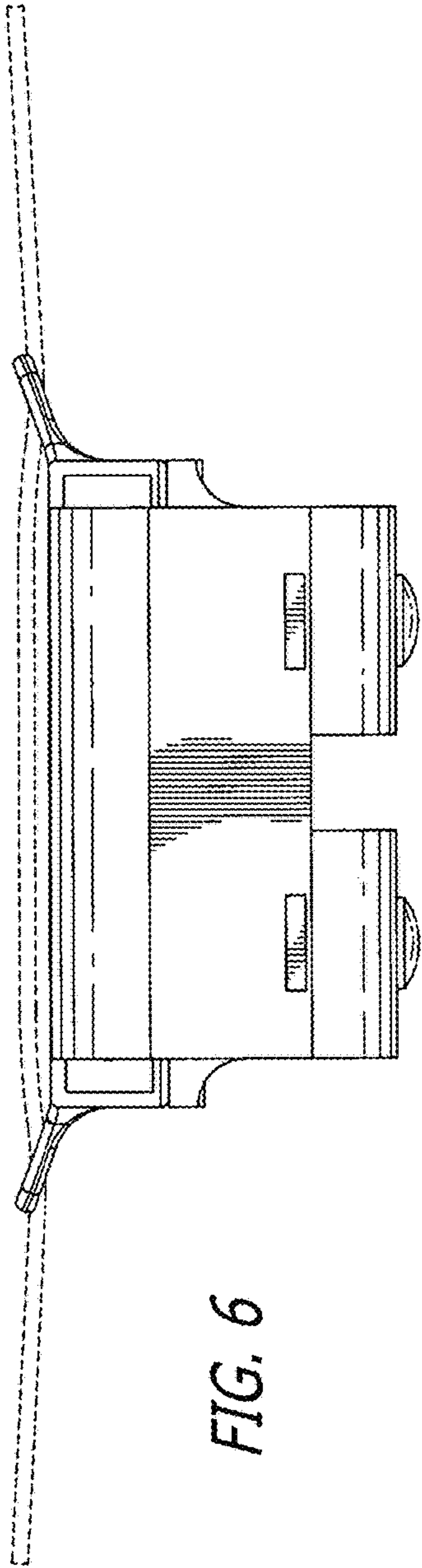


FIG. 6

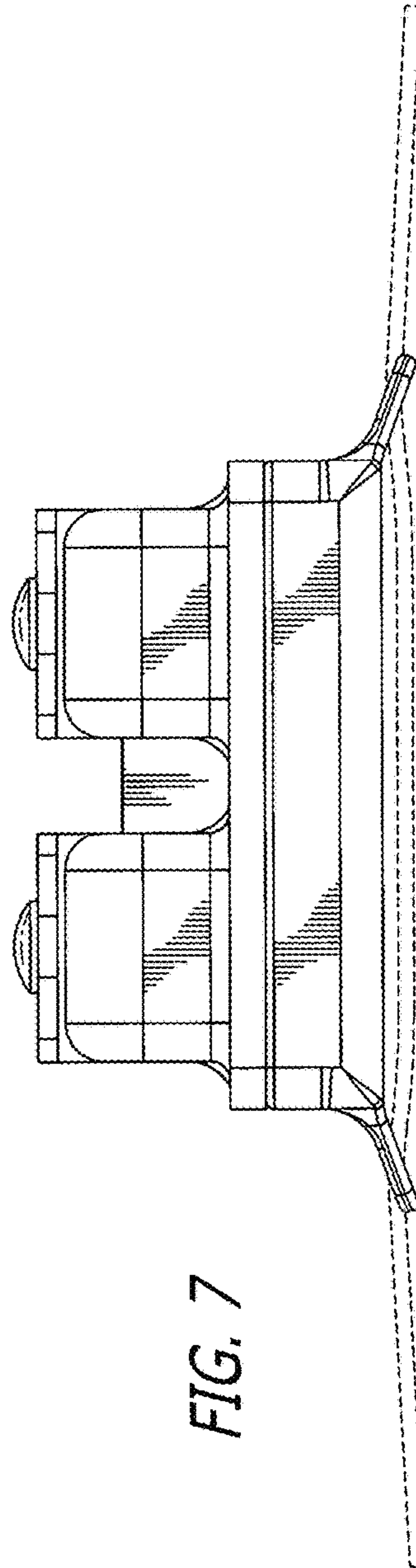


FIG. 7

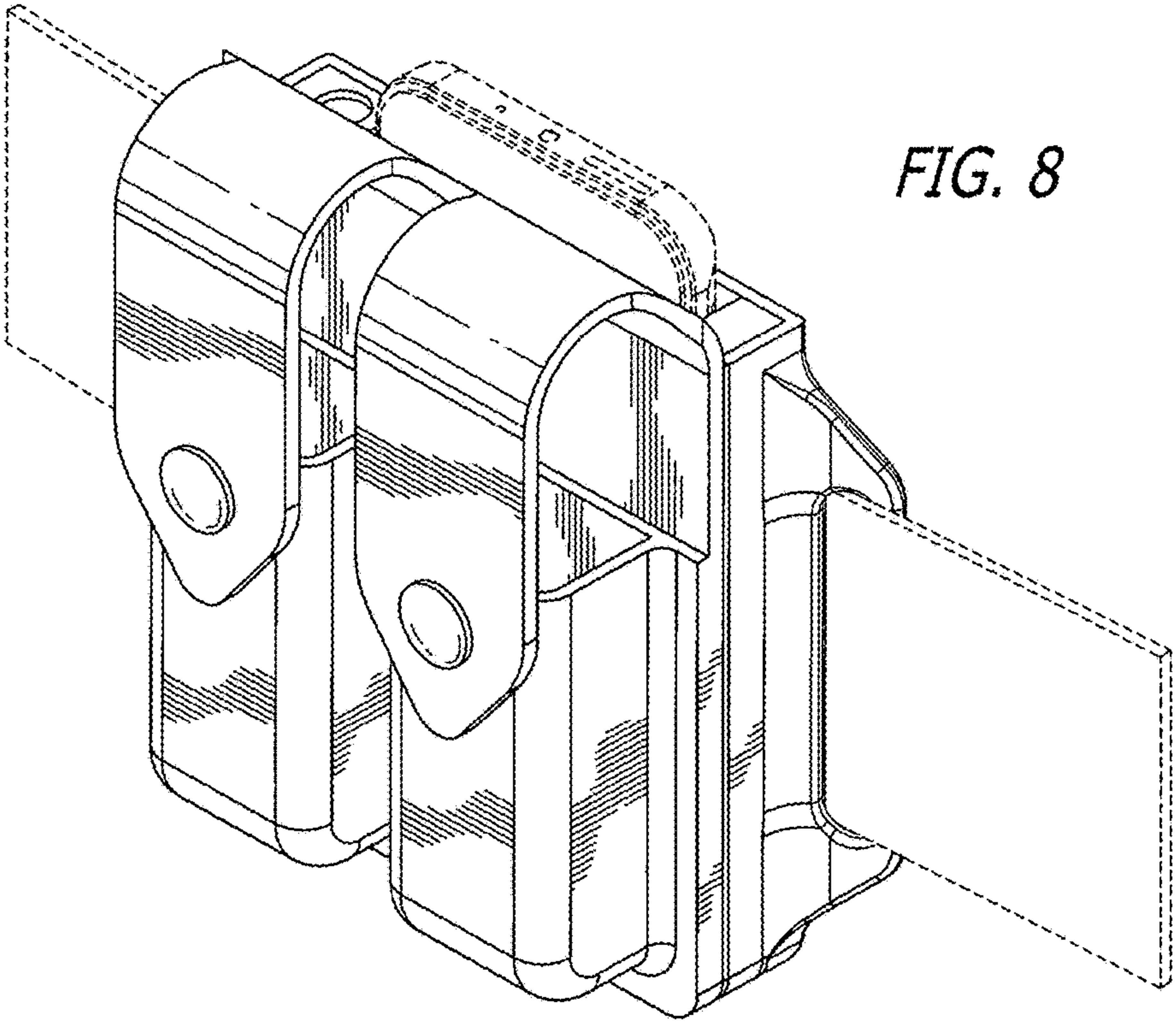


FIG. 8

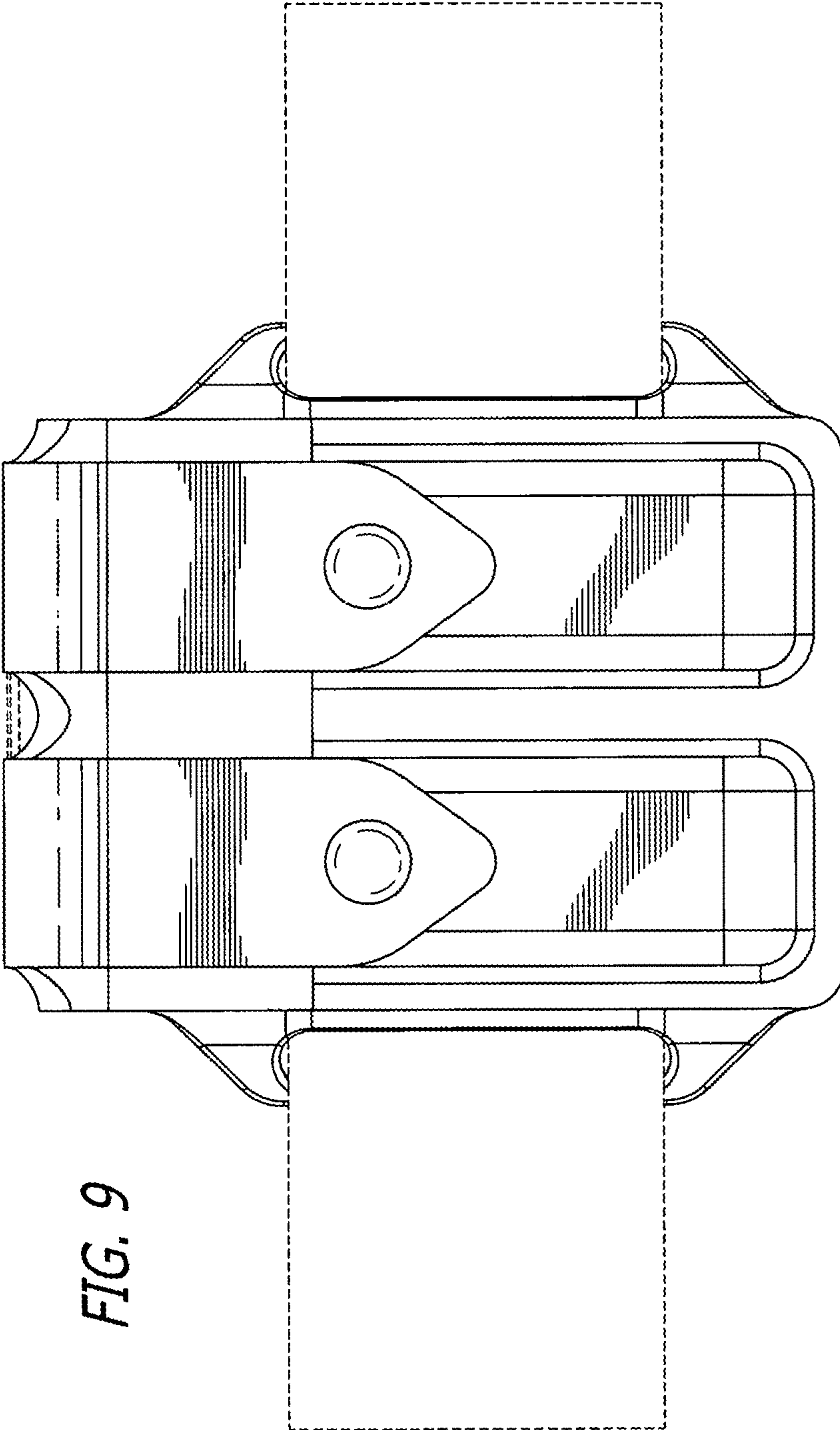
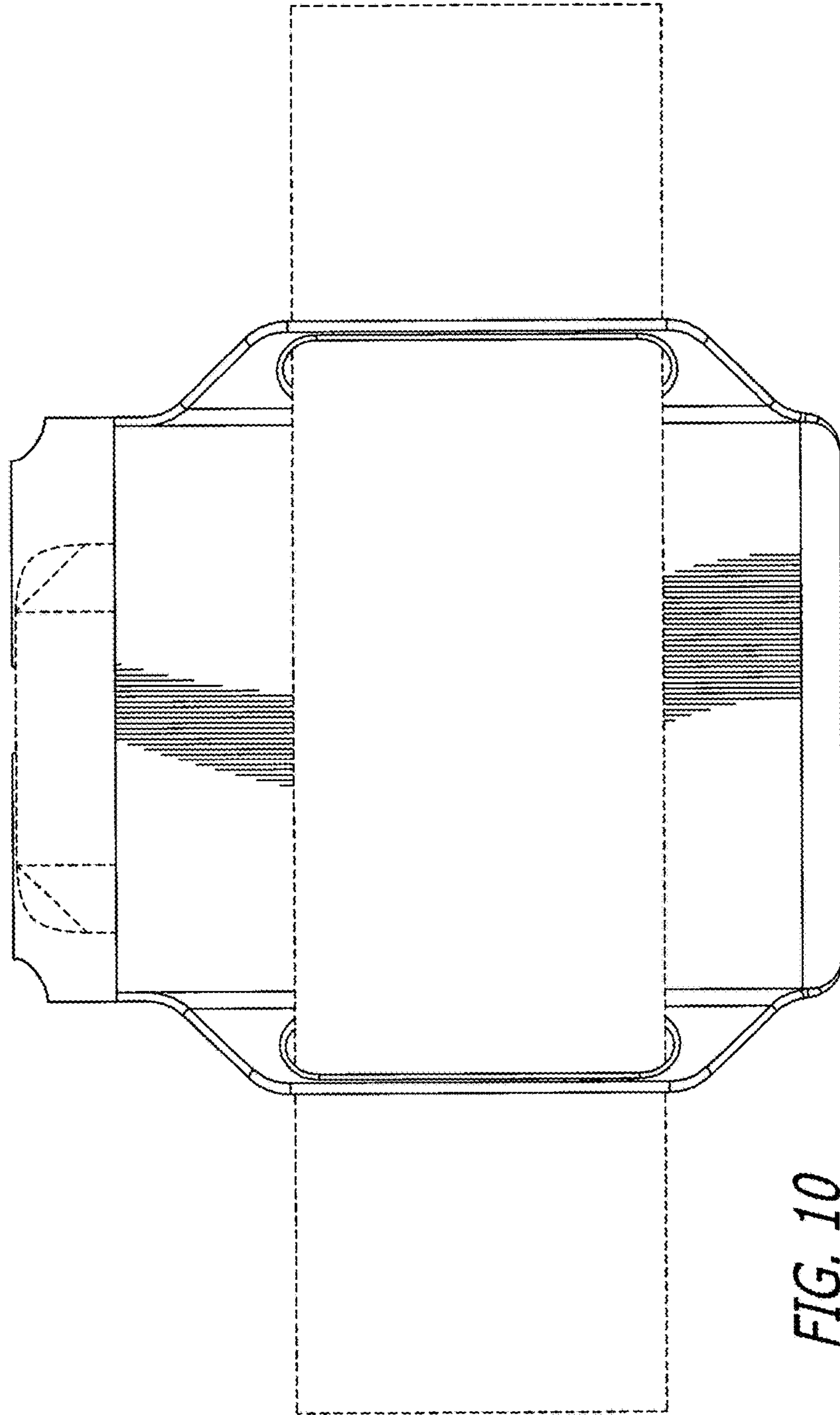


FIG. 9





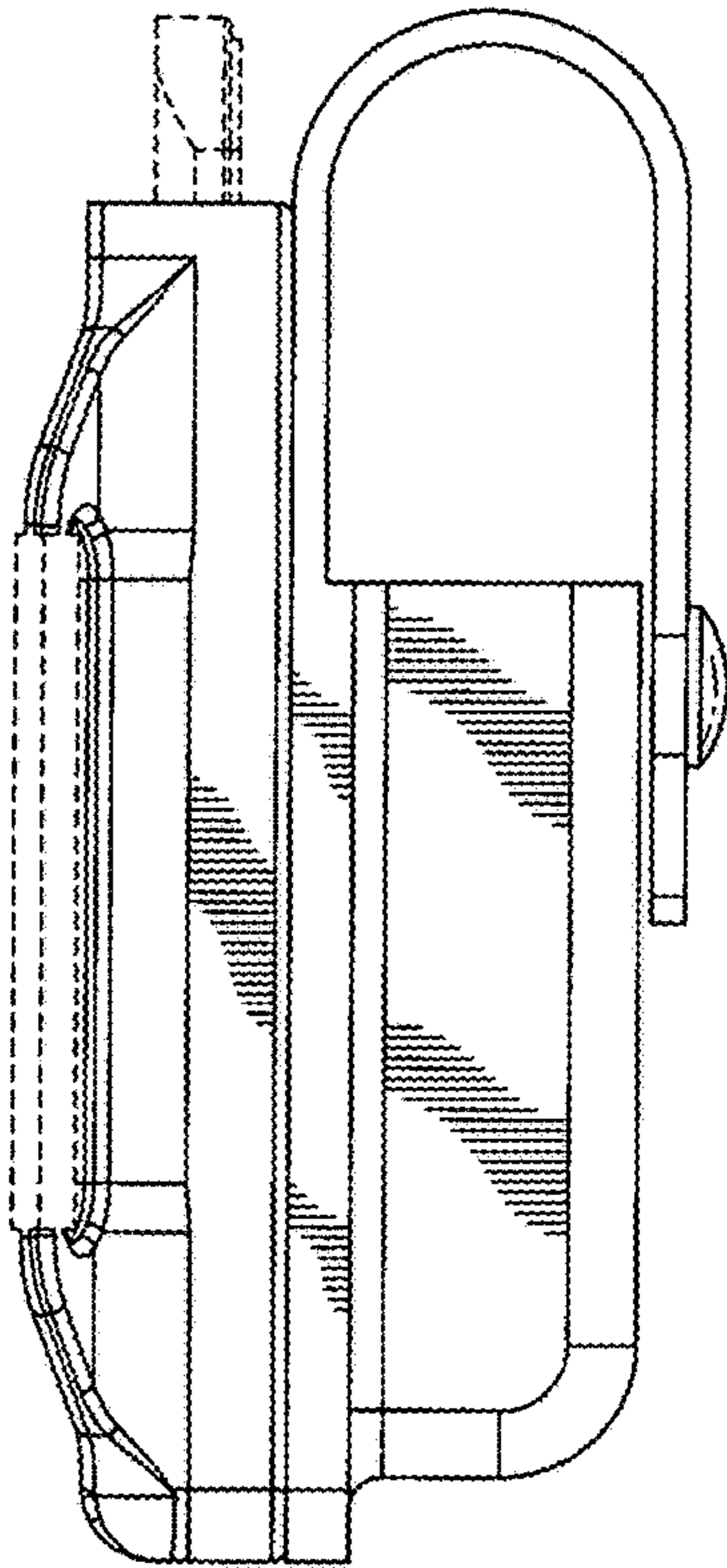


FIG. 11

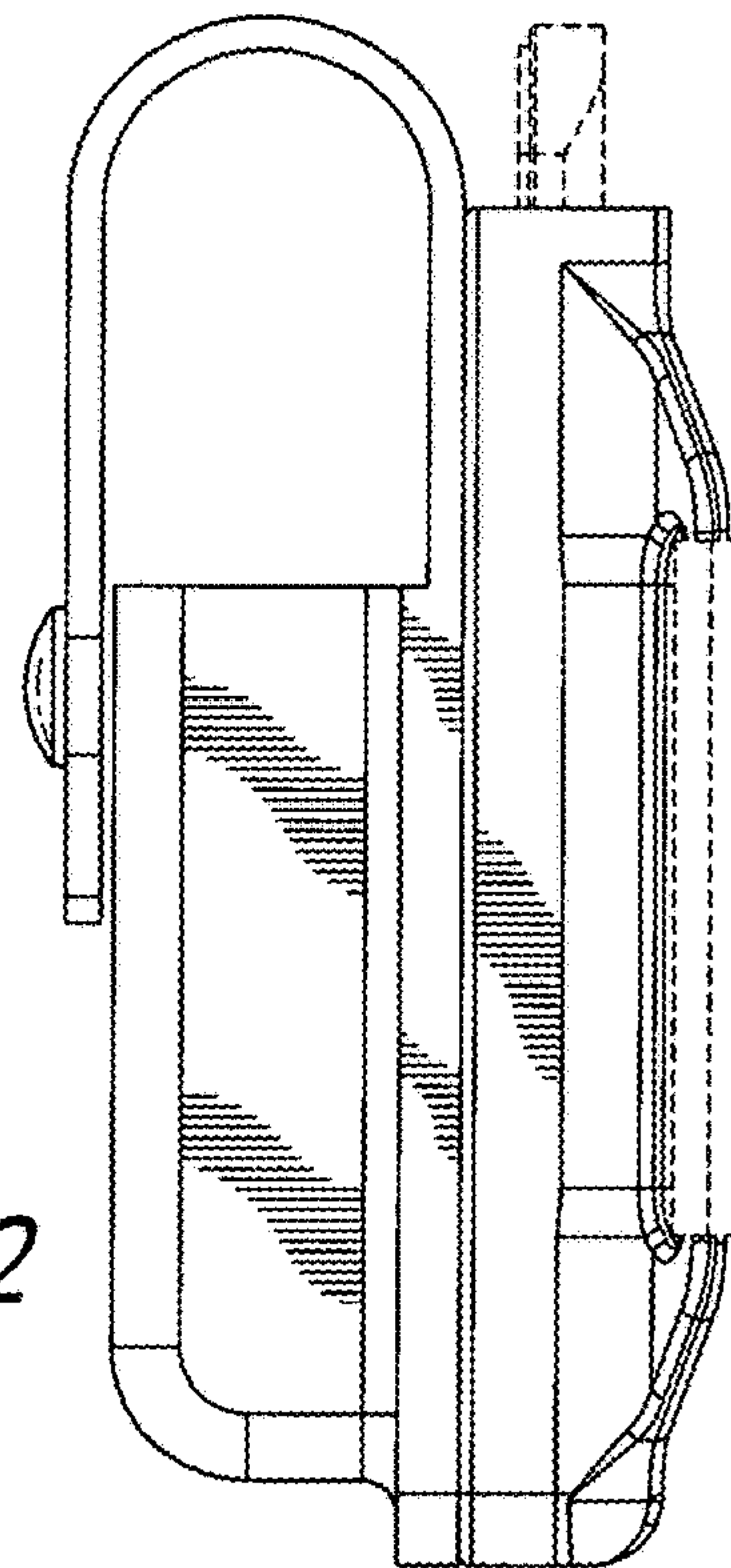


FIG. 12

