



US00D835902S

(12) **United States Design Patent**
Young

(10) **Patent No.:** **US D835,902 S**

(45) **Date of Patent:** **** Dec. 18, 2018**

(54) **BABY CARRIER**

(71) Applicant: **Happy Baby, LLC**, Salt Lake City, UT (US)

(72) Inventor: **Mary Elizabeth Young**, South Jordan, UT (US)

(**) Term: **15 Years**

(21) Appl. No.: **29/608,852**

(22) Filed: **Jun. 26, 2017**

(51) **LOC (11) Cl.** **03-01**

(52) **U.S. Cl.**
USPC **D3/214**

(58) **Field of Classification Search**
USPC D3/213, 214, 215, 216
CPC A47D 13/02; A47D 13/025; A47D 15/00
See application file for complete search history.

(56) **References Cited**

U.S. PATENT DOCUMENTS

5,678,739	A *	10/1997	Darling	A47D 13/025	224/158
D409,373	S *	5/1999	Fair	D3/213	
D425,696	S *	5/2000	Swanke	D3/213	
D507,102	S *	7/2005	Bergkvist	D3/213	
D507,869	S *	8/2005	Liistro	D3/213	
D611,699	S *	3/2010	Lundh	D3/213	
D615,750	S *	5/2010	Jones	D3/213	
D623,402	S *	9/2010	Bergkvist	D3/213	
D642,375	S *	8/2011	Zack	D3/214	
D649,345	S *	11/2011	Bergkvist	D3/214	

(Continued)

OTHER PUBLICATIONS

Original Baby Carrier by Ergobaby, available at <<https://store.ergobaby.com/baby-carrier/original-collection/original-moon-stone>>.

(Continued)

Primary Examiner — John Windmuller

Assistant Examiner — Steven J Czyz

(74) *Attorney, Agent, or Firm* — Durham Jones & Pinegar; Sarah W. Matthews; Randall B. Bateman

(57) **CLAIM**

I claim the ornamental design for a baby carrier, substantially as shown and described.

DESCRIPTION

FIG. 1 is a perspective view of a baby carrier showing the new design;

FIG. 2 is a front view of a baby carrier showing the new design;

FIG. 3 is a rear view of a baby carrier showing the new design;

FIG. 4 is a left side view of a baby carrier showing the new design;

FIG. 5 is a right view of a baby carrier showing the new design;

FIG. 6 is a top view of a baby carrier showing the new design;

FIG. 7 is a bottom view of a baby carrier showing the new design;

FIG. 8 is a perspective view of the baby carrier showing the new design, with the hood deployed;

FIG. 9 is a front view of the baby carrier showing the new design, with the hood deployed;

FIG. 10 is a rear view of the baby carrier showing the new design, with the hood deployed;

FIG. 11 is a left side view of the baby carrier showing the new design, with the hood deployed;

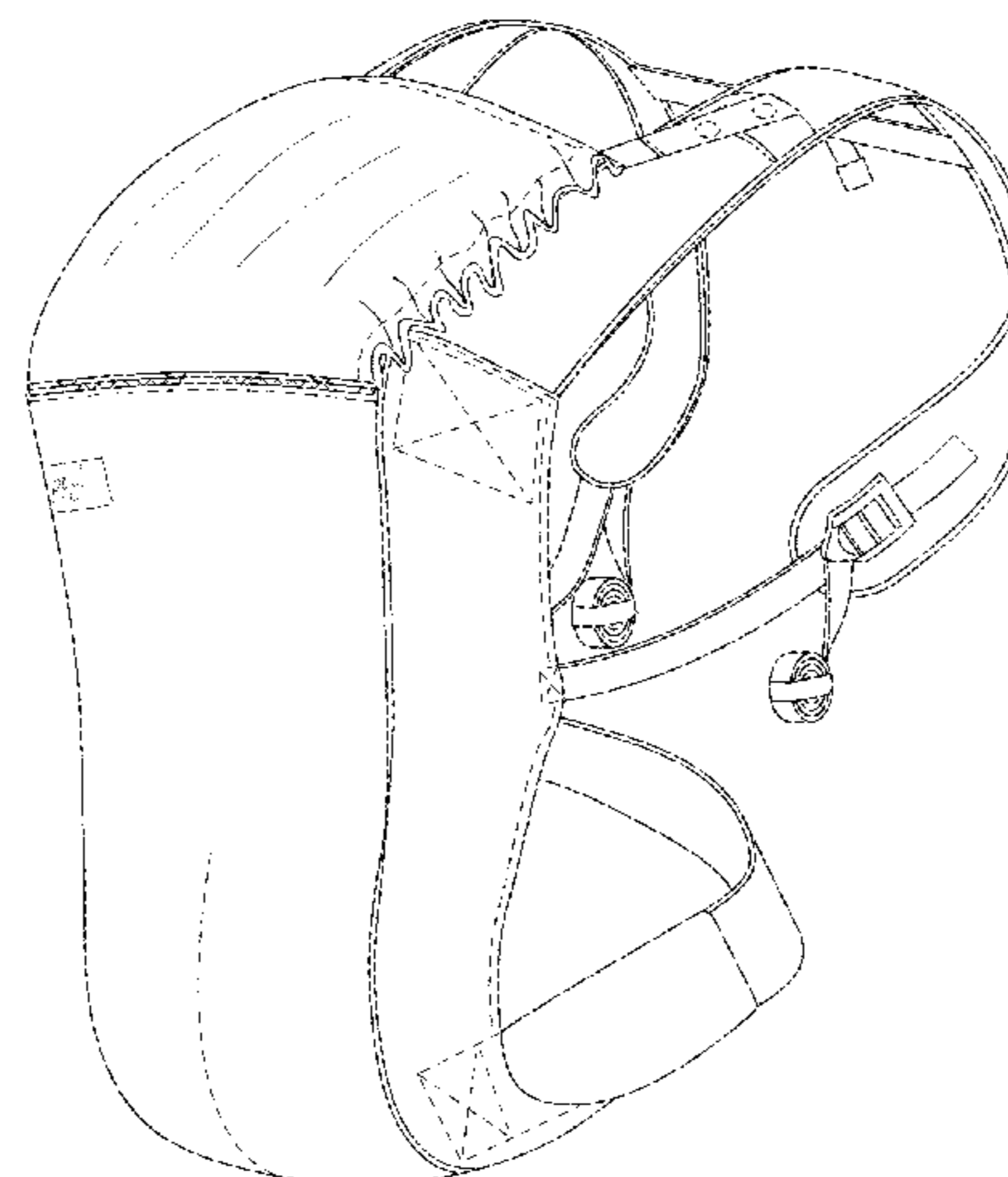
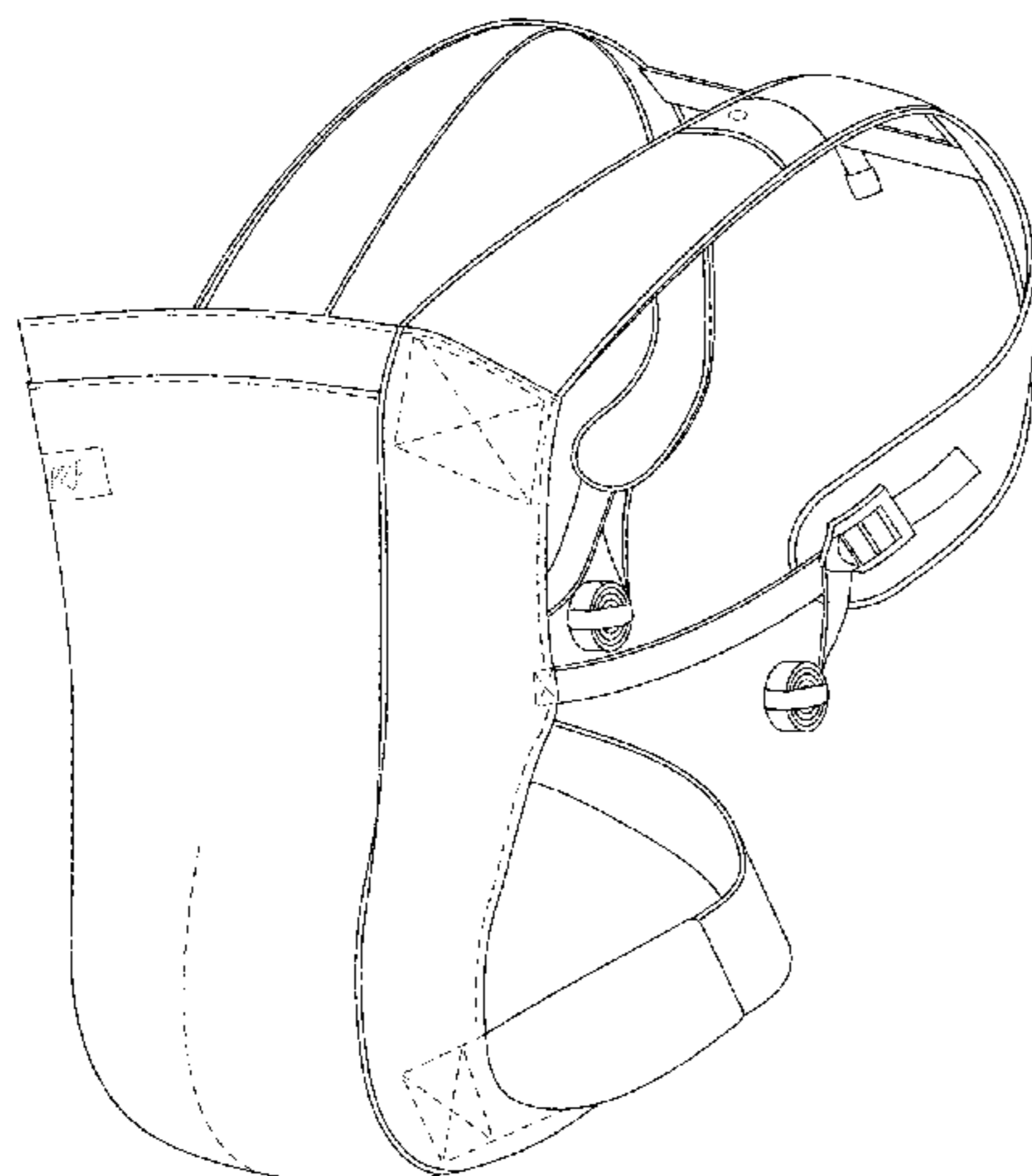
FIG. 12 is a right side view of view of the baby carrier showing the new design, with the hood deployed;

FIG. 13 is a top view of the baby carrier showing the new design, with the hood deployed; and,

FIG. 14 is a bottom view of the baby carrier showing the new design, with the hood deployed.

The broken lines depict portions of the article that form no part of the claimed design.

1 Claim, 14 Drawing Sheets



(56)

References Cited

U.S. PATENT DOCUMENTS

D655,494 S * 3/2012 Murray D3/213
 D664,351 S * 7/2012 Bergkvist D3/214
 D692,227 S * 10/2013 Andren D3/213
 8,579,168 B2 * 11/2013 Zack A47D 13/025
 2/49.1
 8,701,949 B1 * 4/2014 Lehan A45F 3/047
 224/160
 D714,045 S * 9/2014 Stave D3/213
 9,185,993 B2 * 11/2015 Telford A47D 13/025
 D745,263 S * 12/2015 Tagle D3/213
 D748,907 S * 2/2016 Figler D3/213
 D753,385 S * 4/2016 Stave D3/213
 D770,166 S * 11/2016 Figler D3/213
 D796,834 S * 9/2017 Pos D3/213
 D802,912 S * 11/2017 Brodin D3/213
 9,848,713 B2 * 12/2017 Rosen A47D 13/025
 2005/0051582 A1 * 3/2005 Frost A47D 13/025
 224/160
 2005/0184114 A1 * 8/2005 Hoff A47D 13/025
 224/160
 2008/0283560 A1 * 11/2008 Parness A47D 13/025
 224/160
 2010/0200626 A1 * 8/2010 Moftakhar A47D 13/025
 224/160

2011/0089205 A1 * 4/2011 Coote A47D 13/025
 224/160
 2012/0061429 A1 * 3/2012 Sauer A47D 13/025
 224/160
 2012/0187162 A1 * 7/2012 Bergkvist A47D 13/025
 224/160
 2014/0231472 A1 * 8/2014 Cha A47D 13/025
 224/160
 2015/0196133 A1 * 7/2015 Rosen A47D 13/025
 224/160
 2015/0282639 A1 * 10/2015 Chuah A47D 13/025
 224/160
 2016/0150893 A1 * 6/2016 Salazar A47D 13/025
 224/160
 2016/0227940 A1 * 8/2016 Wikner A47D 13/025
 2017/0196374 A1 * 7/2017 Chen A47D 13/025
 2017/0238722 A1 * 8/2017 Flaunty A47D 13/025
 2017/0332806 A1 * 11/2017 Liu A47D 13/025

OTHER PUBLICATIONS

Free-to-Grow Baby Carrier by Baby Tula, available at <<https://babytula.com/products/stormy-tula-free-to-grow-baby-carrier?variant=43810370378>>.

Beco Gemini, available at <<https://becobabycarrier.com/collections/beco-gemini>> at least as early as Jun. 24, 2016.

* cited by examiner

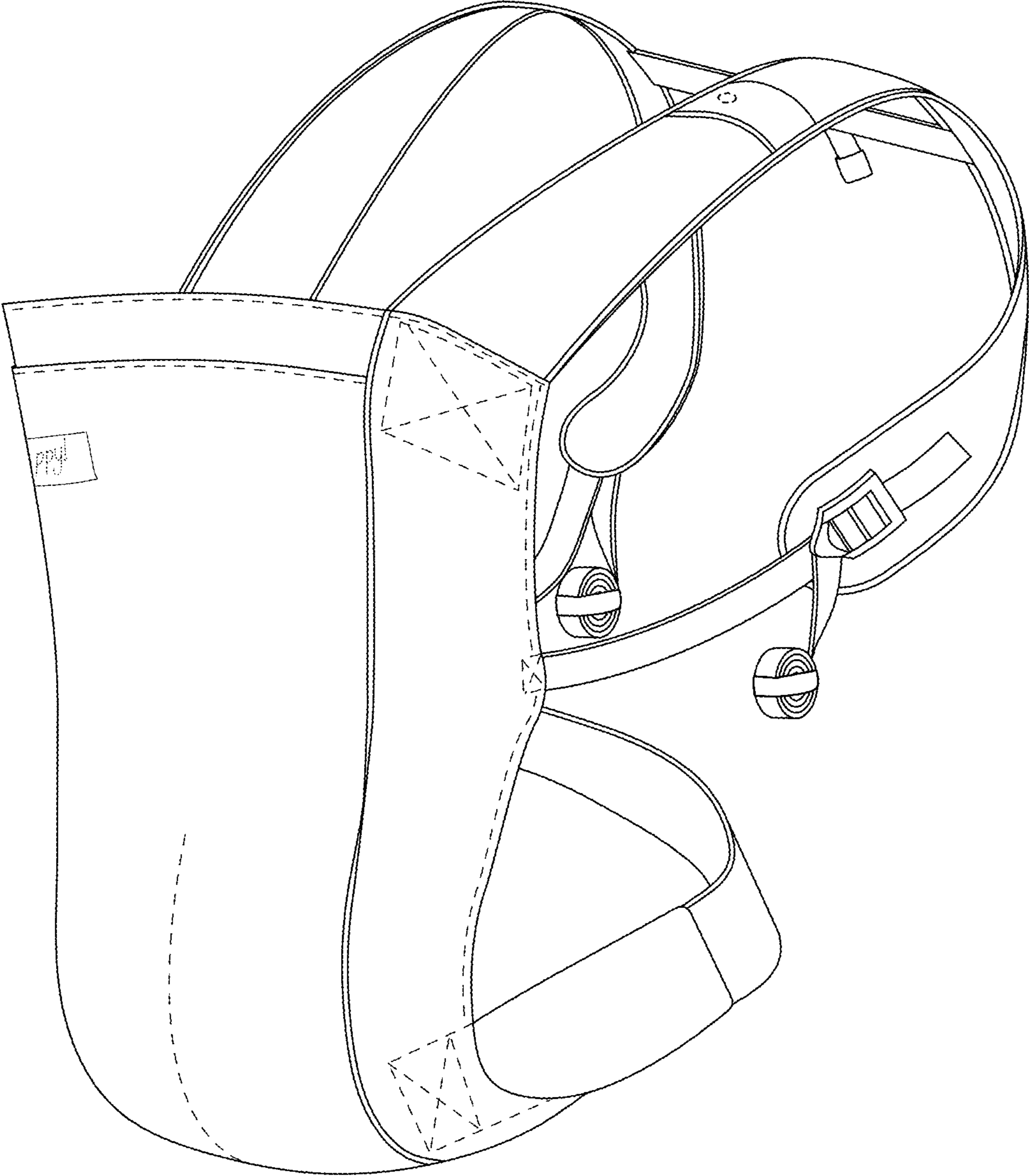


FIG. 1

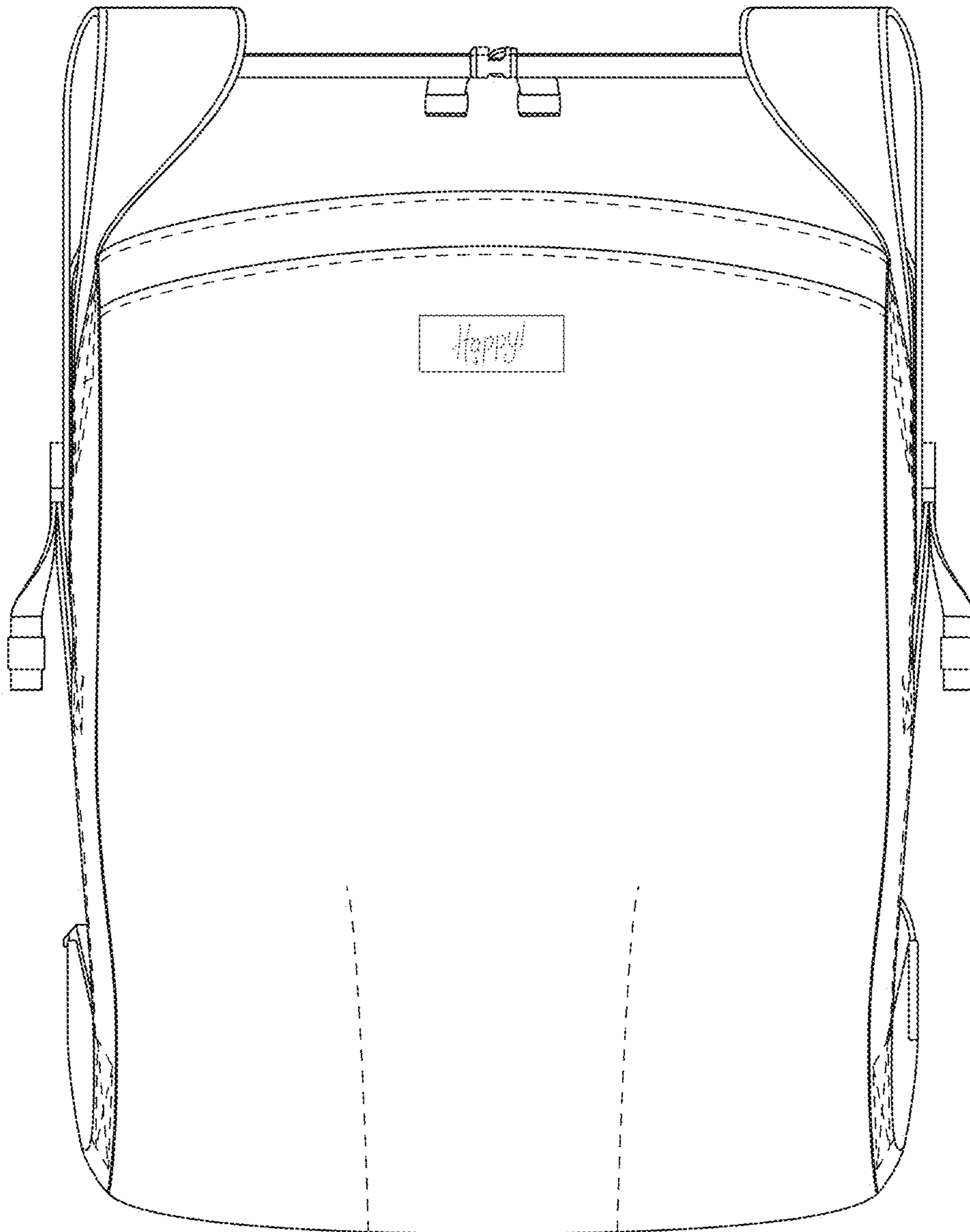


FIG. 2

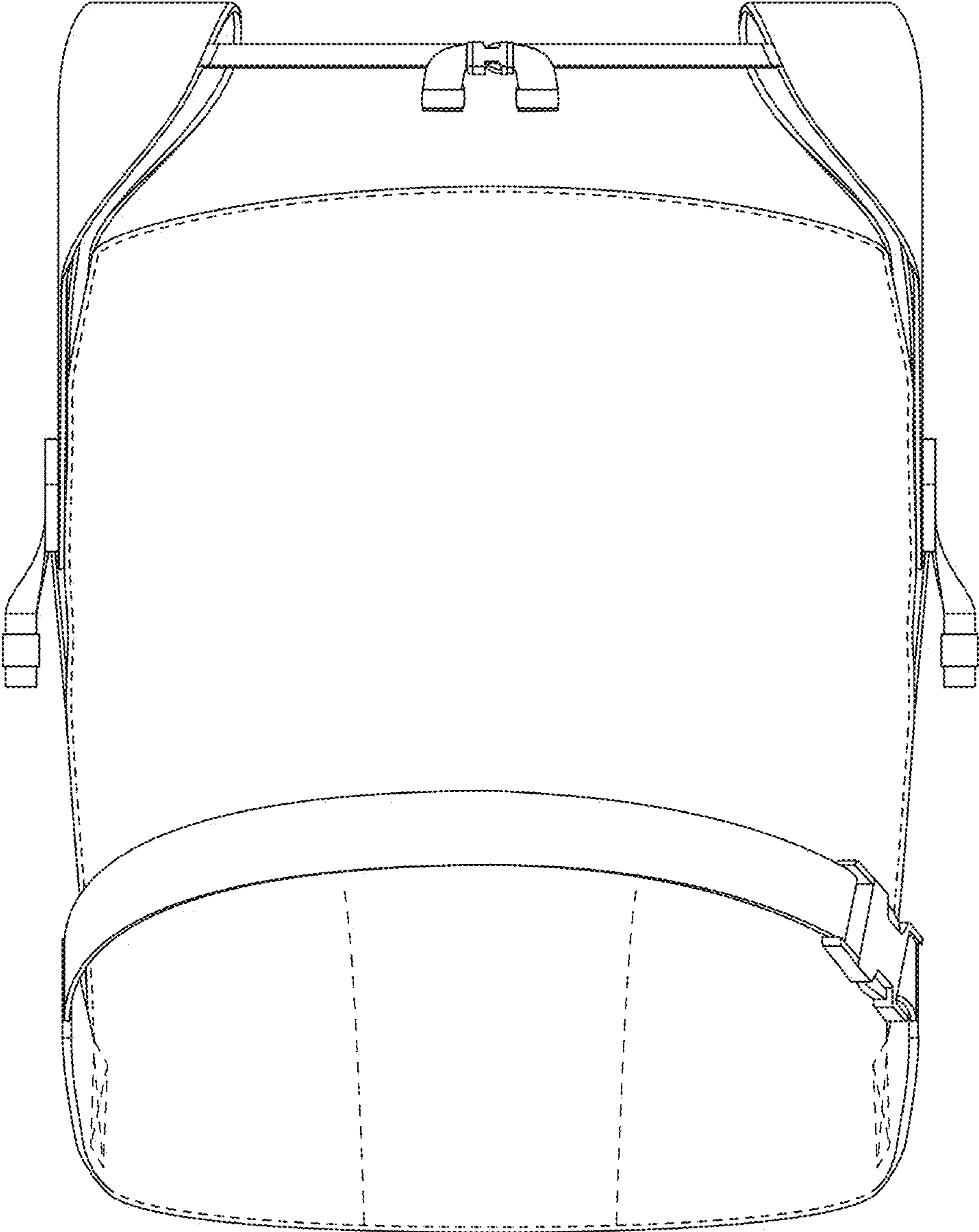


FIG. 3

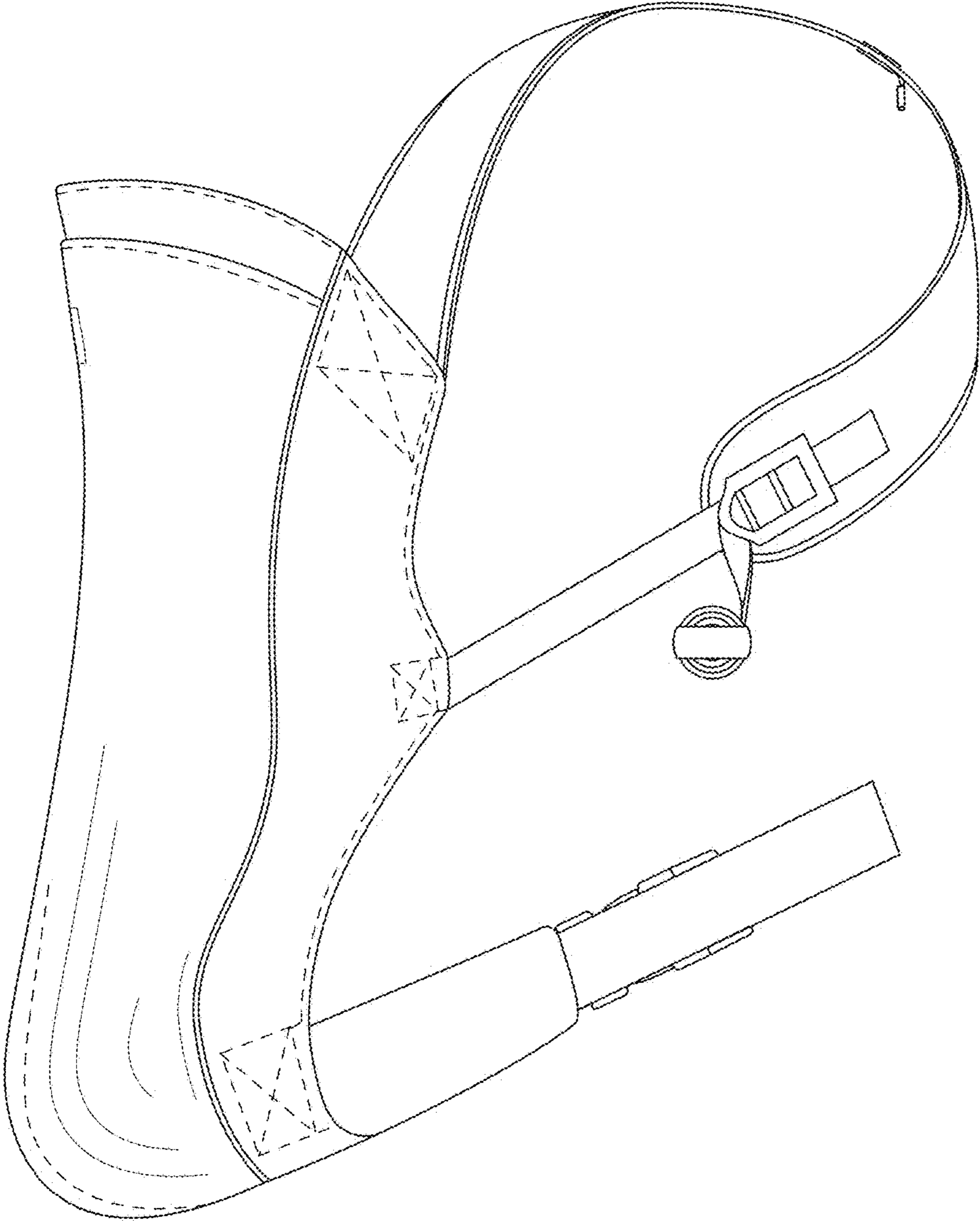


FIG. 4

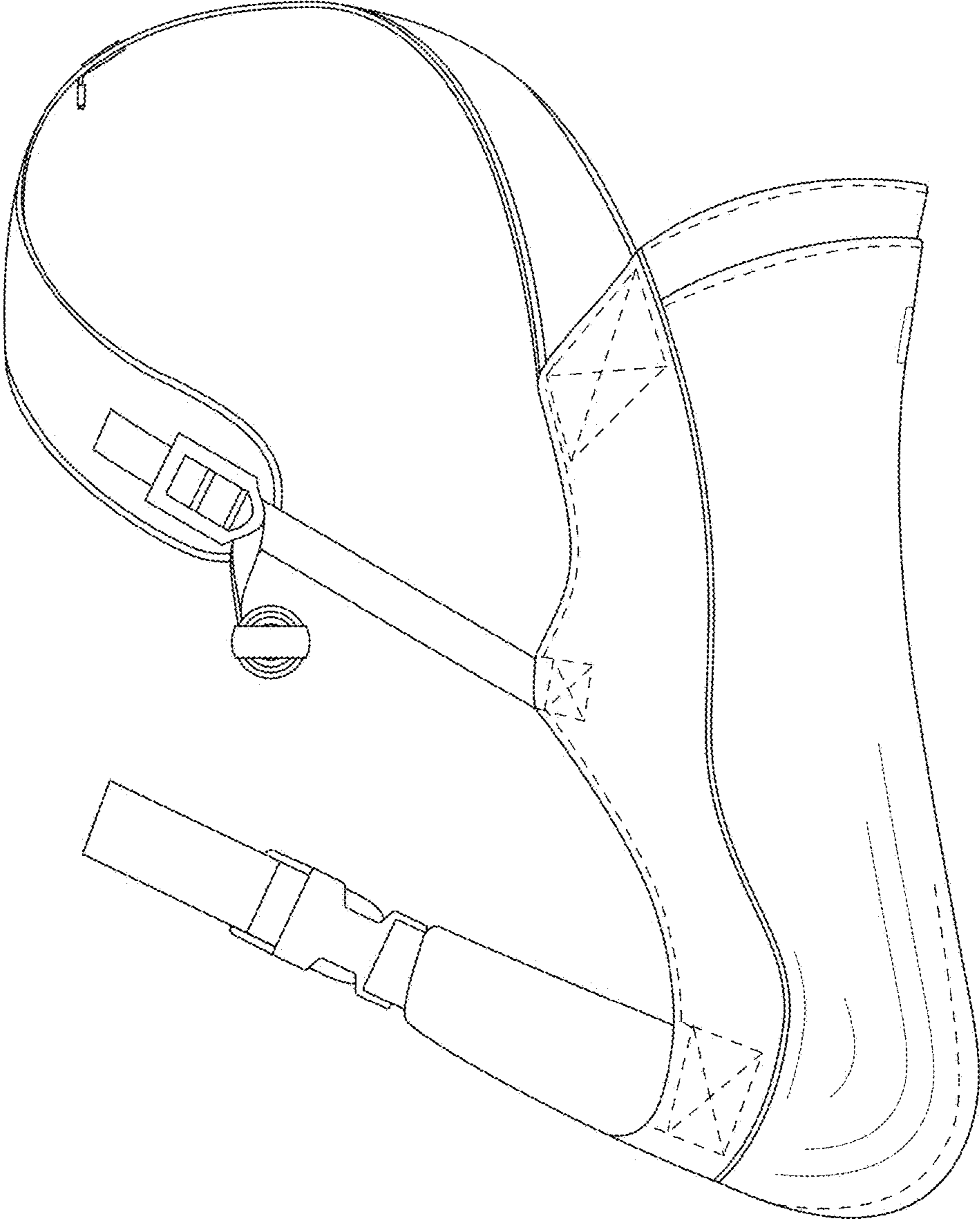


FIG. 5

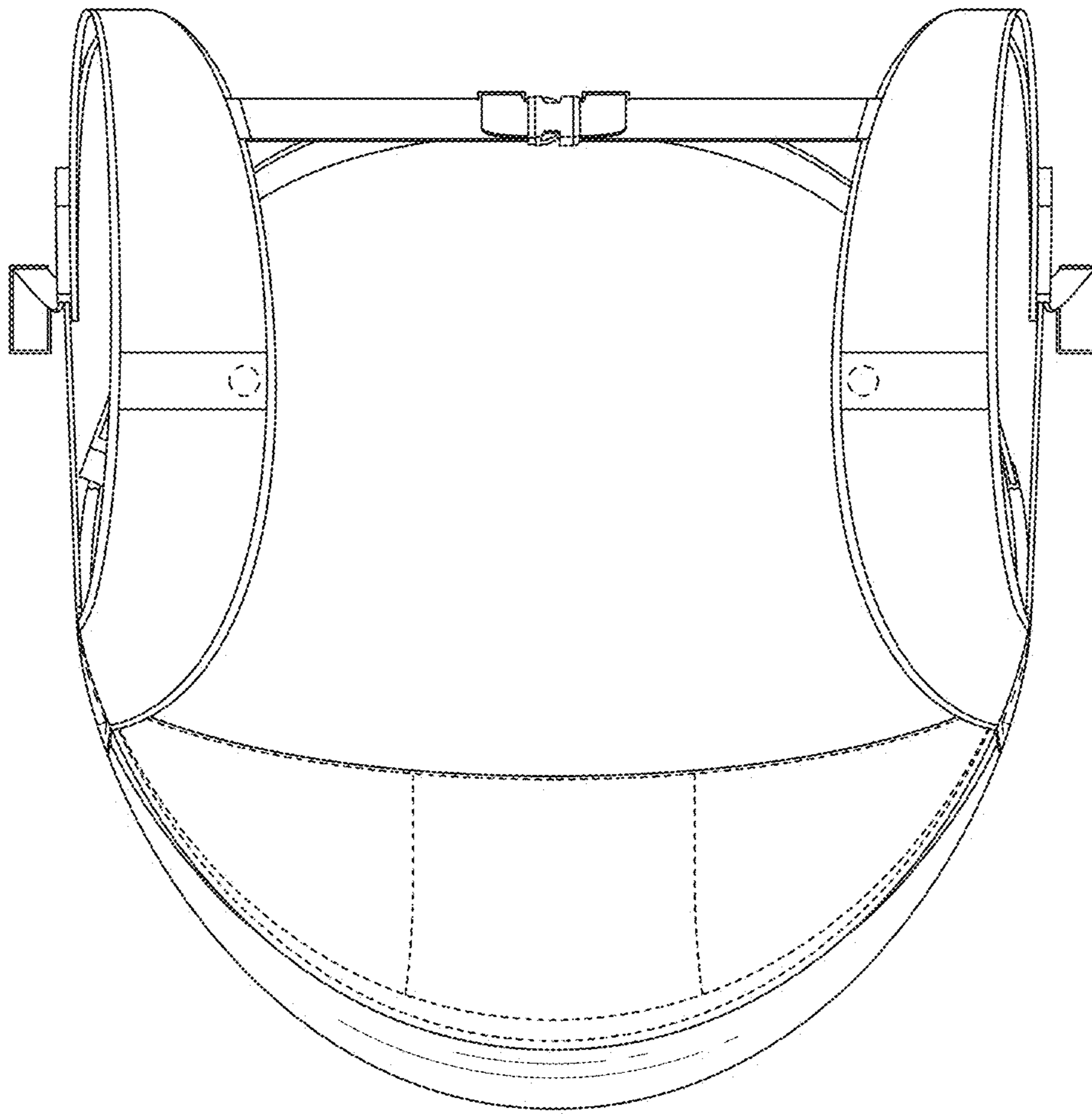


FIG. 6

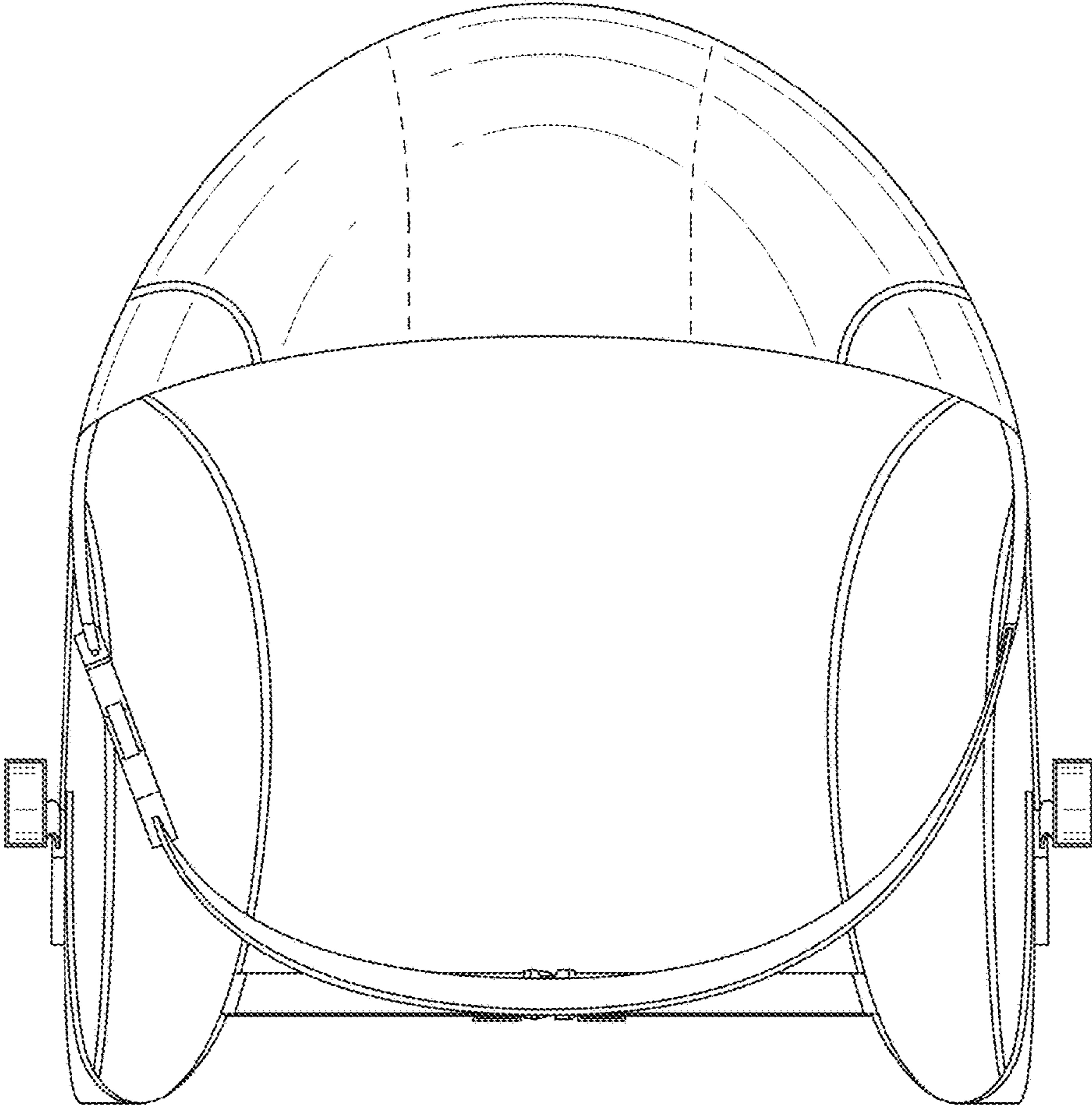


FIG. 7

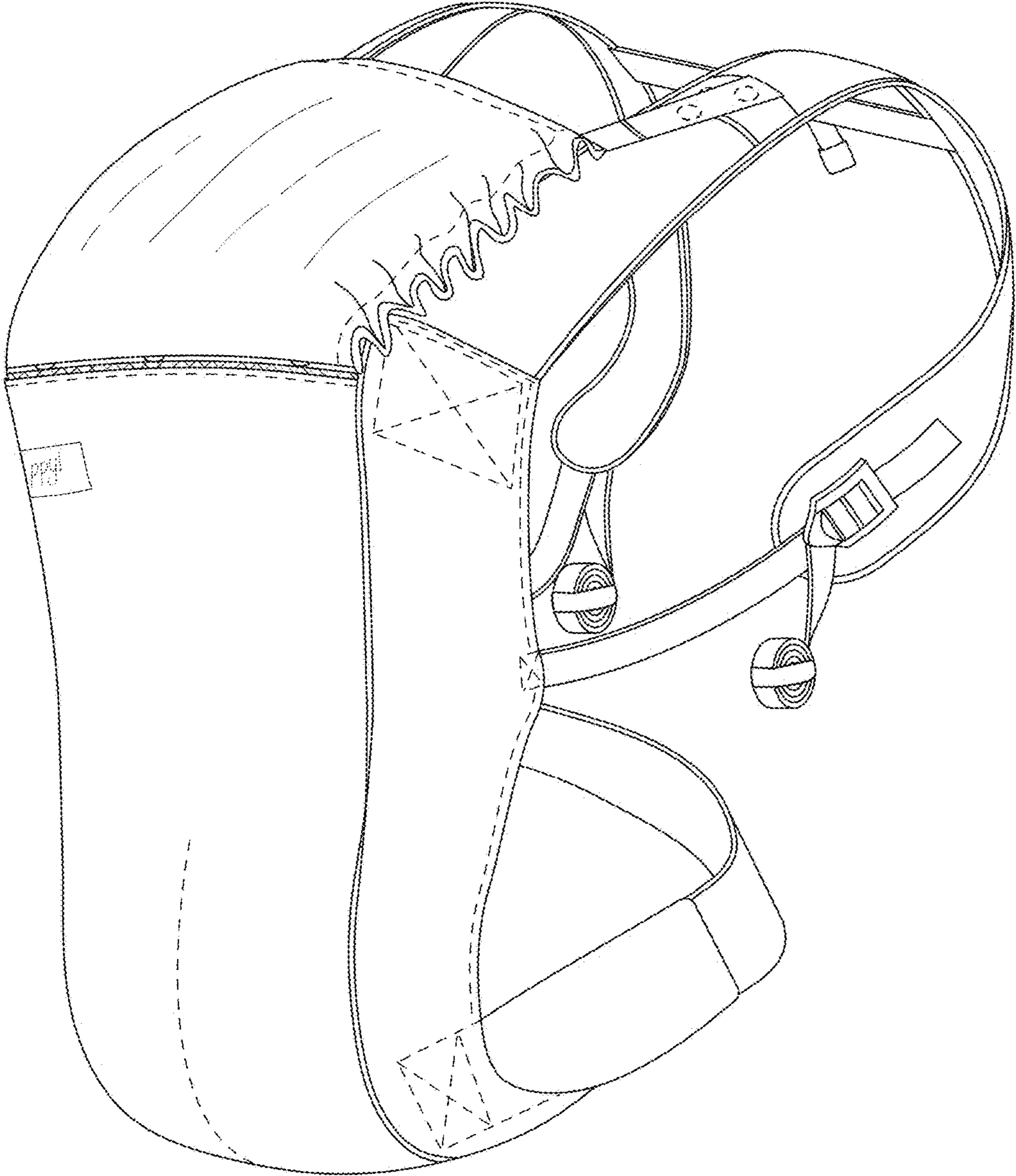


FIG. 8

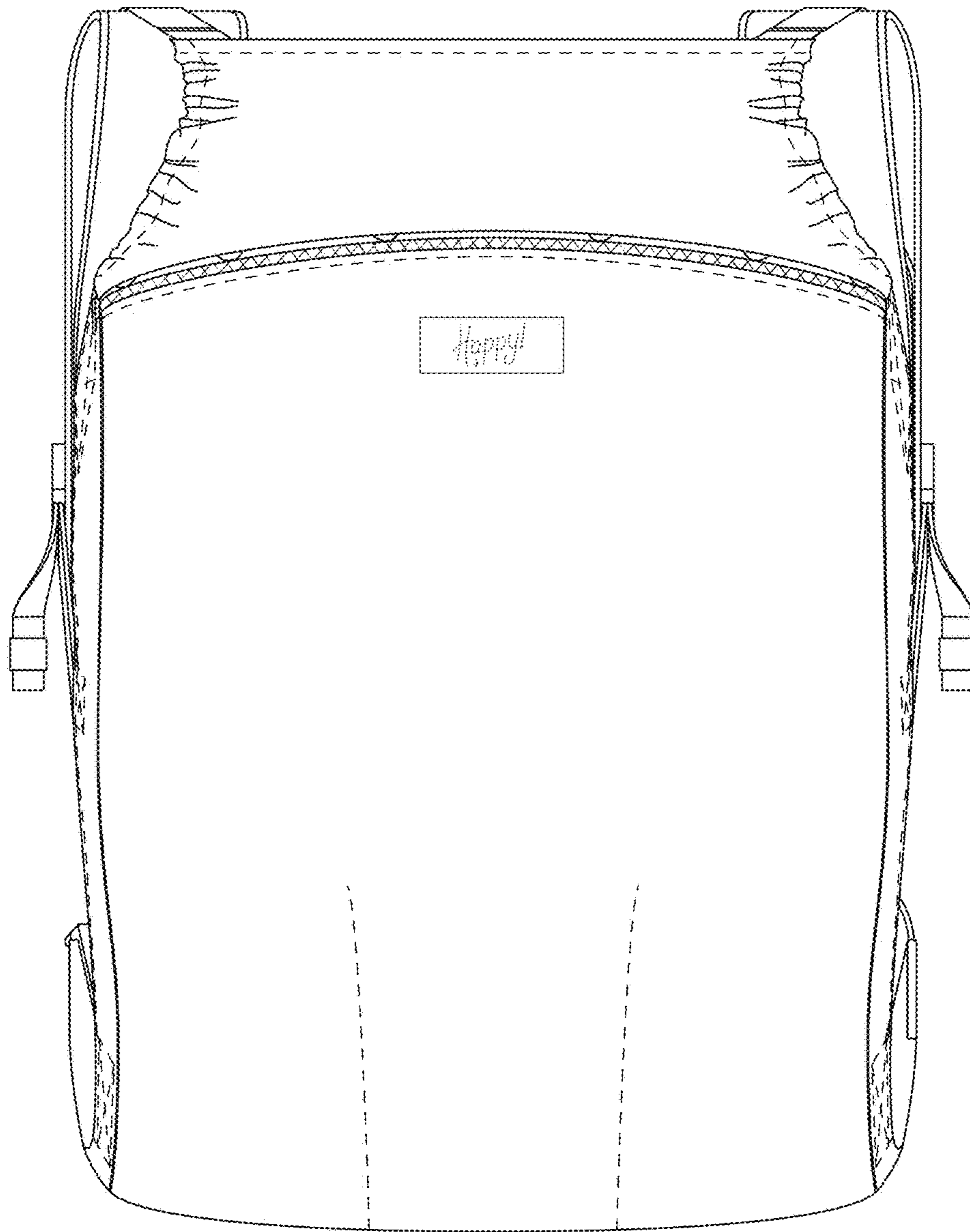


FIG. 9

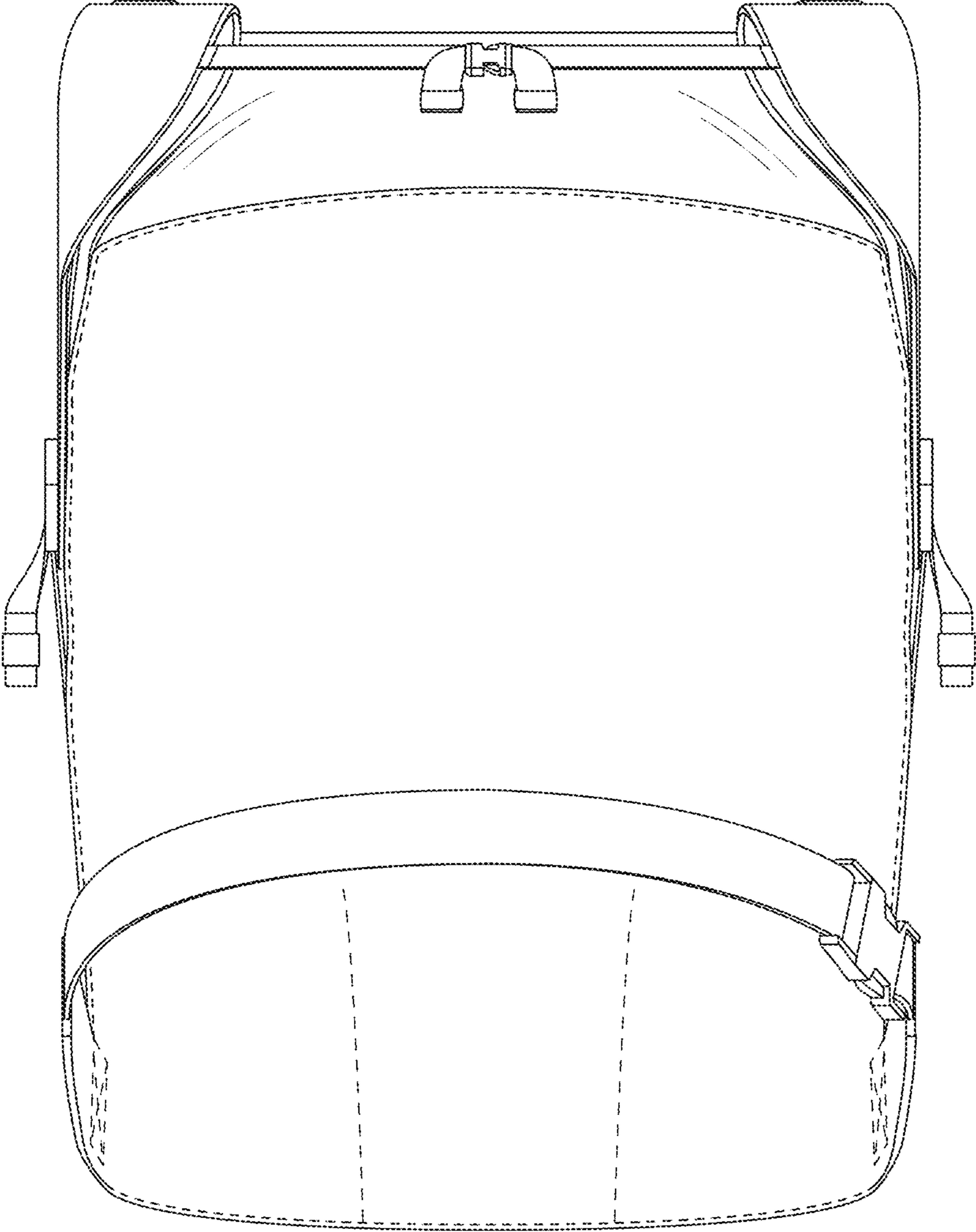


FIG. 10

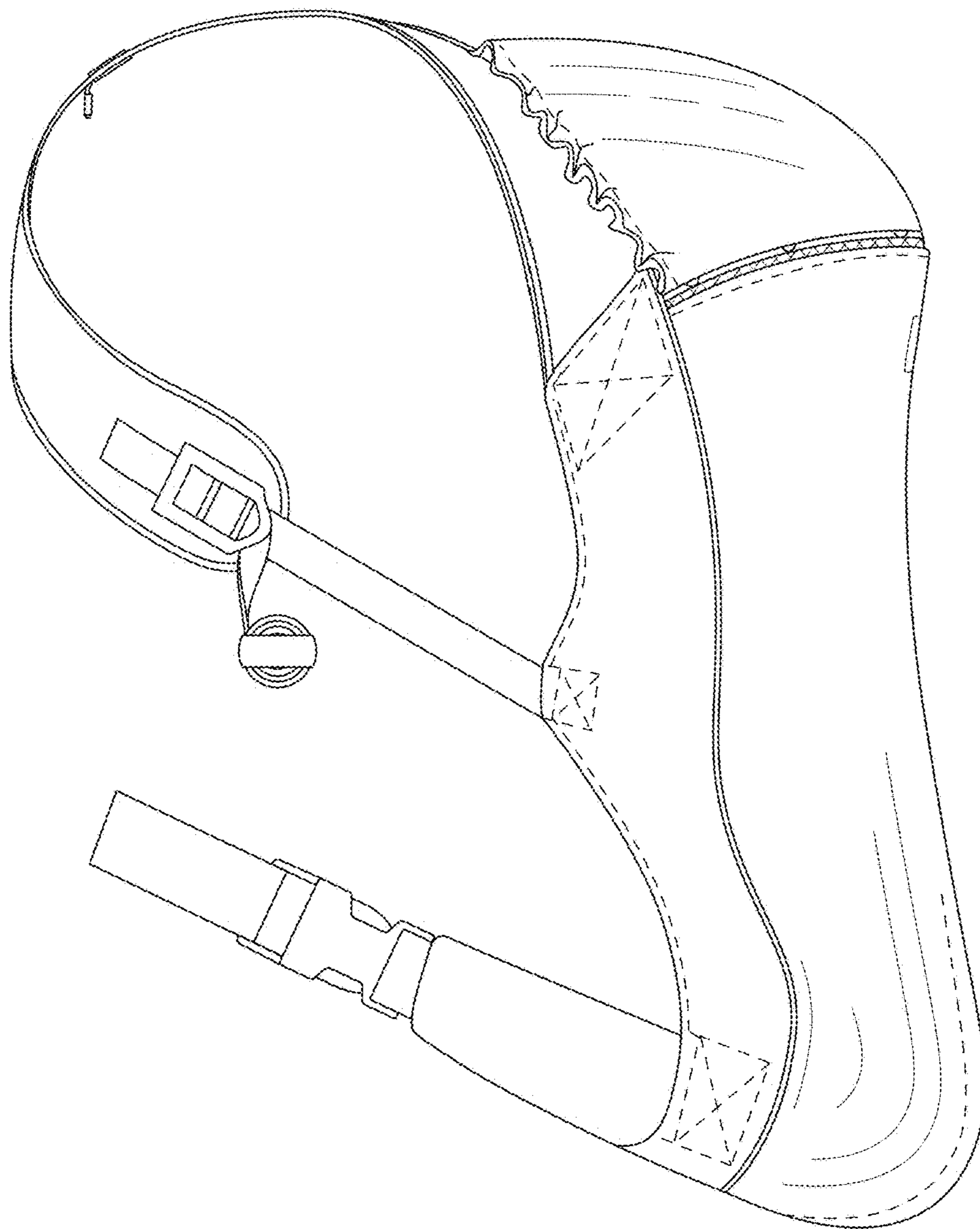


FIG. 11

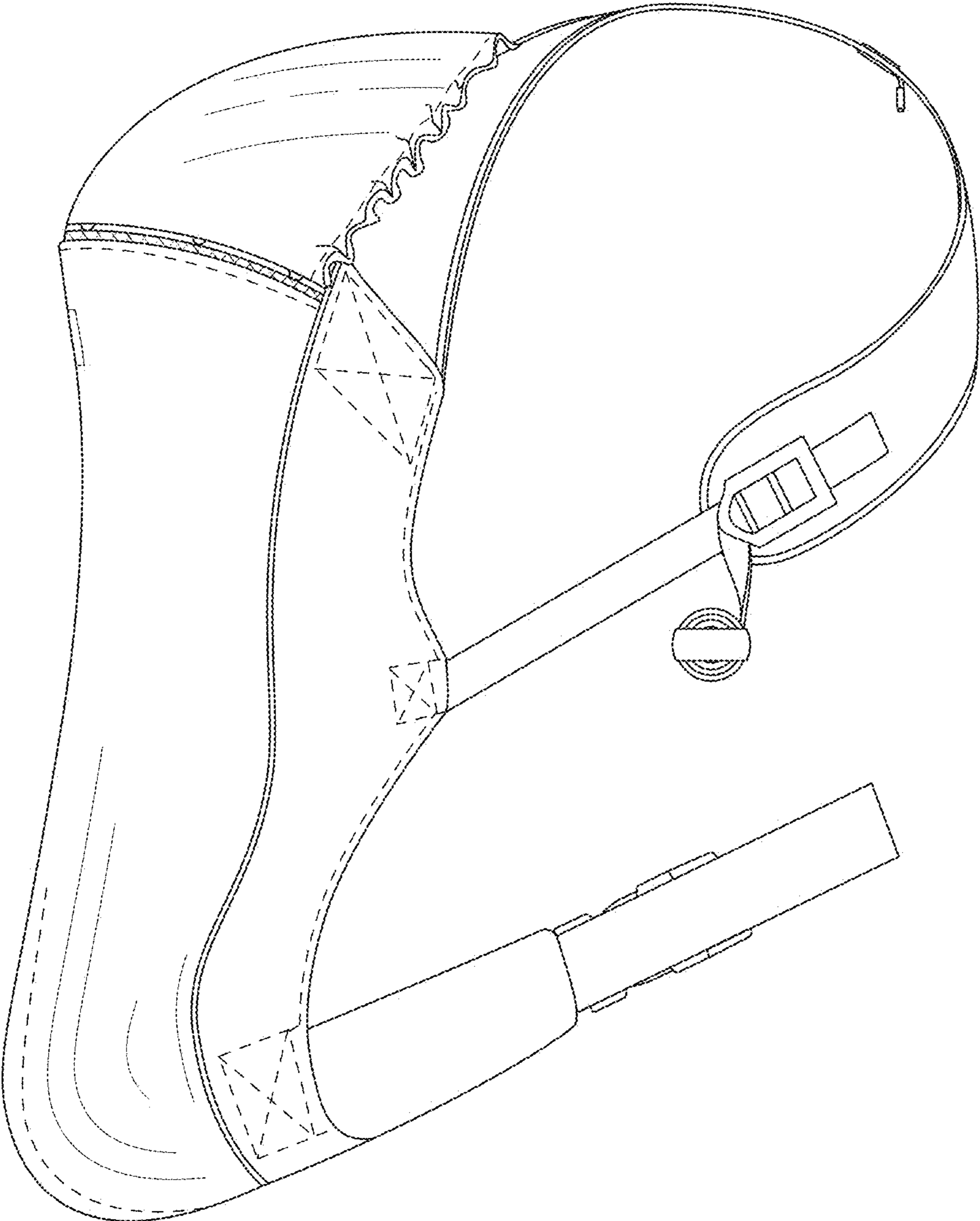


FIG. 12

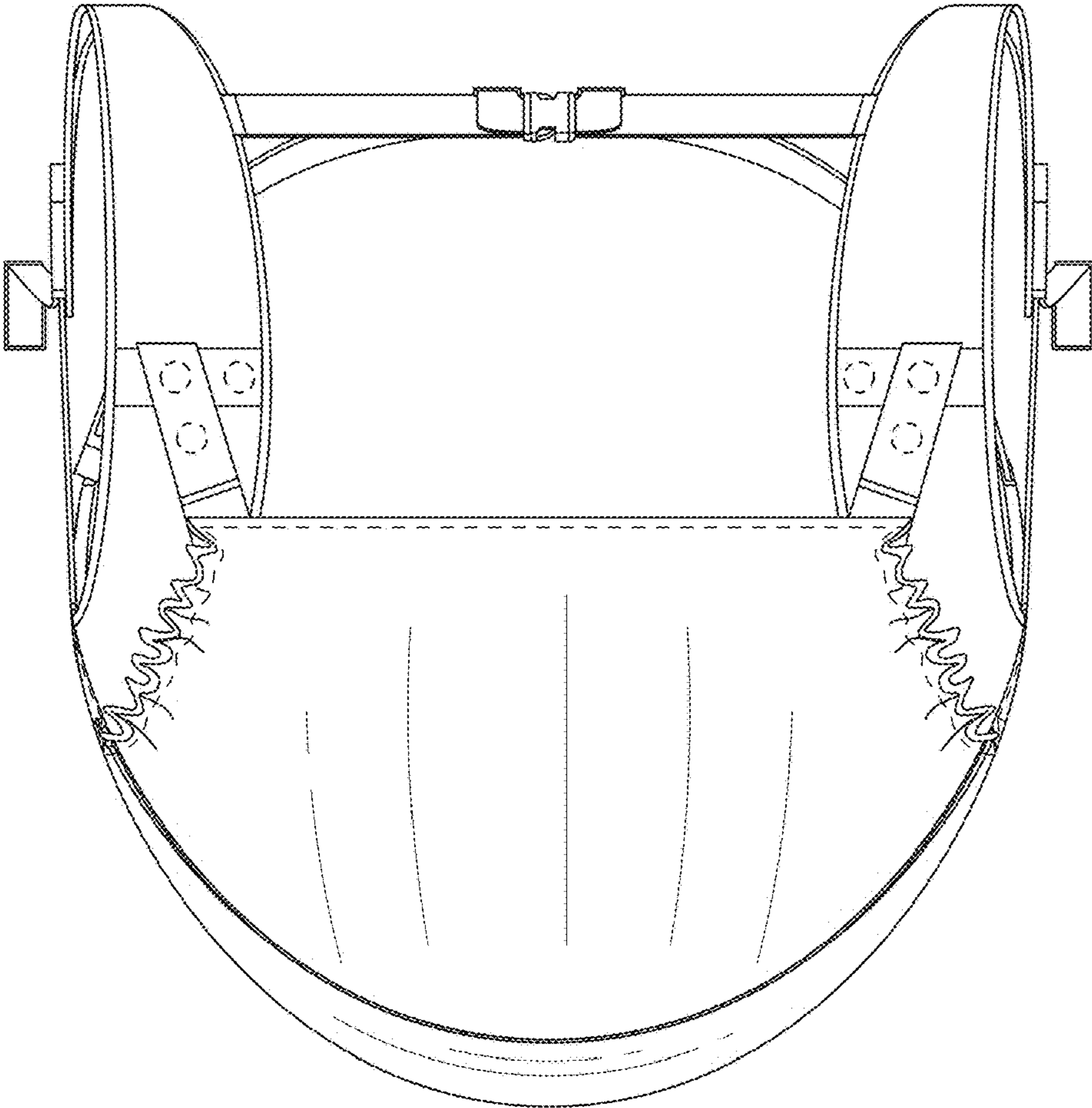


FIG. 13

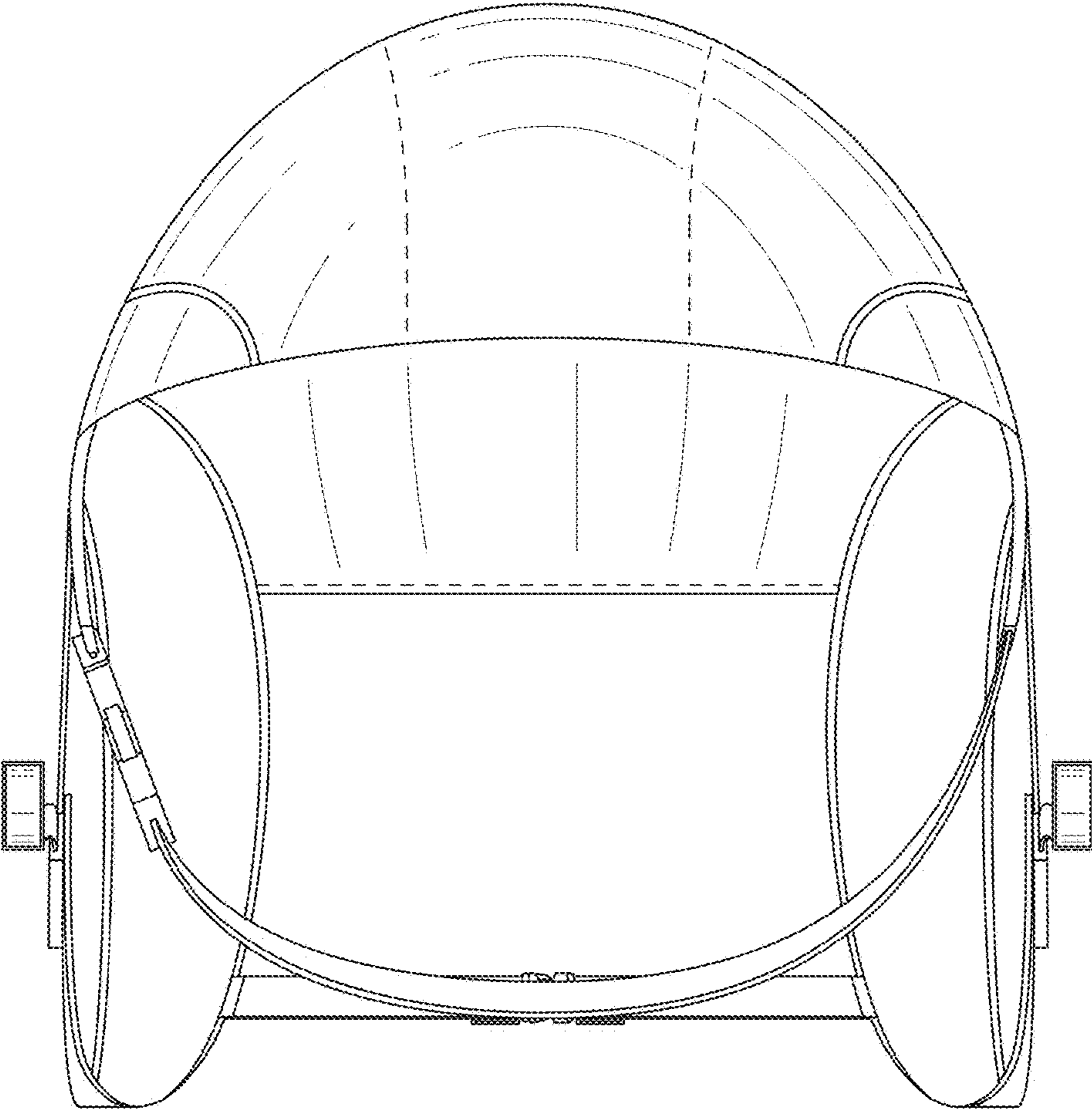


FIG. 14

(12) **SUPPLEMENTAL EXAMINATION CERTIFICATE**

**United States Patent
Young**

(10) Number: **US D835,902 F1**
(45) Certificate Issued: **Mar. 15, 2022**

Control No.: 96/000,387

Filing Date: Dec. 16, 2021

Primary Examiner: Darlington Ly

No substantial new question of patentability is raised in the request for supplemental examination. See the Reasons for Substantial New Question of Patentability Determination in the file of this proceeding.

(56) Items of Information

OTHER DOCUMENTS

Boba 2G Carrier, available for purchase at least as early as May 7, 2010

Boba 3G Carrier, available for purchase at least as early as September 20, 2011

Boba 4G Carrier, available for purchase at least as early as October 18, 2013

Boba Air, available for purchase at least as early as June 30, 2012

Catbird Pikkolo baby carrier, available at least as early as August 27, 2013, available at <https://catbirdbaby.com/products/pikkolo-soft-structured-baby-carrier?variant=1521908294>

Connecta baby carrier, available at <https://connectacarrier.co.uk/>, at least as early as December 2008

Integra baby carrier, available at <https://inigrababy.co.uk>, at least as early as December 2008