



US00D835901S

(12) **United States Design Patent** (10) **Patent No.:** **US D835,901 S**
Kietzmann et al. (45) **Date of Patent:** **** Dec. 18, 2018**

(54) **CONTAINER FOR INJECTION DEVICES**

5/002; A61M 5/008; B65F 1/141; B65F 1/10;

(71) Applicant: **Sanofi-Aventis Deutschland GMBH**,
Frankfurt am Main (DE)

(Continued)

(72) Inventors: **Hardy Kietzmann**, Frankfurt am Main (DE); **Fred Luck**, Frankfurt am Main (DE); **Stefan Riebel**, Frankfurt am Main (DE)

(56)

References Cited

U.S. PATENT DOCUMENTS

4,850,484 A * 7/1989 Denman A61M 5/008
206/366
4,928,849 A * 5/1990 Khozai A47F 1/08
221/45

(Continued)

(73) Assignee: **Sanofi-Aventis Deutschland GMBH**,
Frankfurt am Main (DE)

OTHER PUBLICATIONS

(**) Term: **15 Years**

Bakelite cases (via Etsy), available Jul. 10, 2018, [online], [site visited Jul. 10, 2018]. Available from internet, <URL: <https://www.google.com/search?biw=1920&bih=1023&tbm=isch&sa=1&ei=YWJGW7GsNoOgzWkz3quoAQ&q=bakelite+case+vial&oq=bakelite+case+vial&gs> (Year: 2018).*

(21) Appl. No.: **29/565,192**

(Continued)

(22) Filed: **May 18, 2016**

(30) **Foreign Application Priority Data**

Primary Examiner — Cathron C Brooks

Nov. 18, 2015 (EM) 002864397

Assistant Examiner — W. A. Teddy Falloway

(51) **LOC (11) Cl.** **03-01**

(74) *Attorney, Agent, or Firm* — Fish & Richardson P.C.

(52) **U.S. Cl.**
USPC **D3/203.1**

(57)

CLAIM

(58) **Field of Classification Search**

USPC D3/20, 201, 203.1, 203.2, 203.3, 273,
D3/274, 212; D9/756, 737; D24/131,
D24/103, 231; D34/7, 8, 10, 11;
D19/102, 106, 685; 206/364–366;
220/254.1, 254.3, 810, 786; 211/70.6;
128/852; 604/356; 232/44, 47
CPC A61B 50/362; A61B 10/0096; A61B
2050/006; A61B 19/0288; A61B 19/10;
A61B 2050/0051; A61B 2050/0057;
A61B 2050/364; A61M 5/3205; A61M

The ornamental design for a container for injection devices, substantially as shown and described.

DESCRIPTION

FIG. 1 is a perspective view of the container for injection devices, shown in an open state;
FIG. 2 is a top view of the container of FIG. 1;
FIG. 3 is a bottom view of the container of FIG. 1;
FIG. 4 is a front view of the container of FIG. 1;
FIG. 5 is a back view of the container of FIG. 1;
FIG. 6 is a right side view of the container of FIG. 1; and,
FIG. 7 is a left side view of the container of FIG. 1.
FIG. 8 is a perspective view of the container in FIG. 1, shown in a closed state;
FIG. 9 is a top view of the container of FIG. 8;

(Continued)

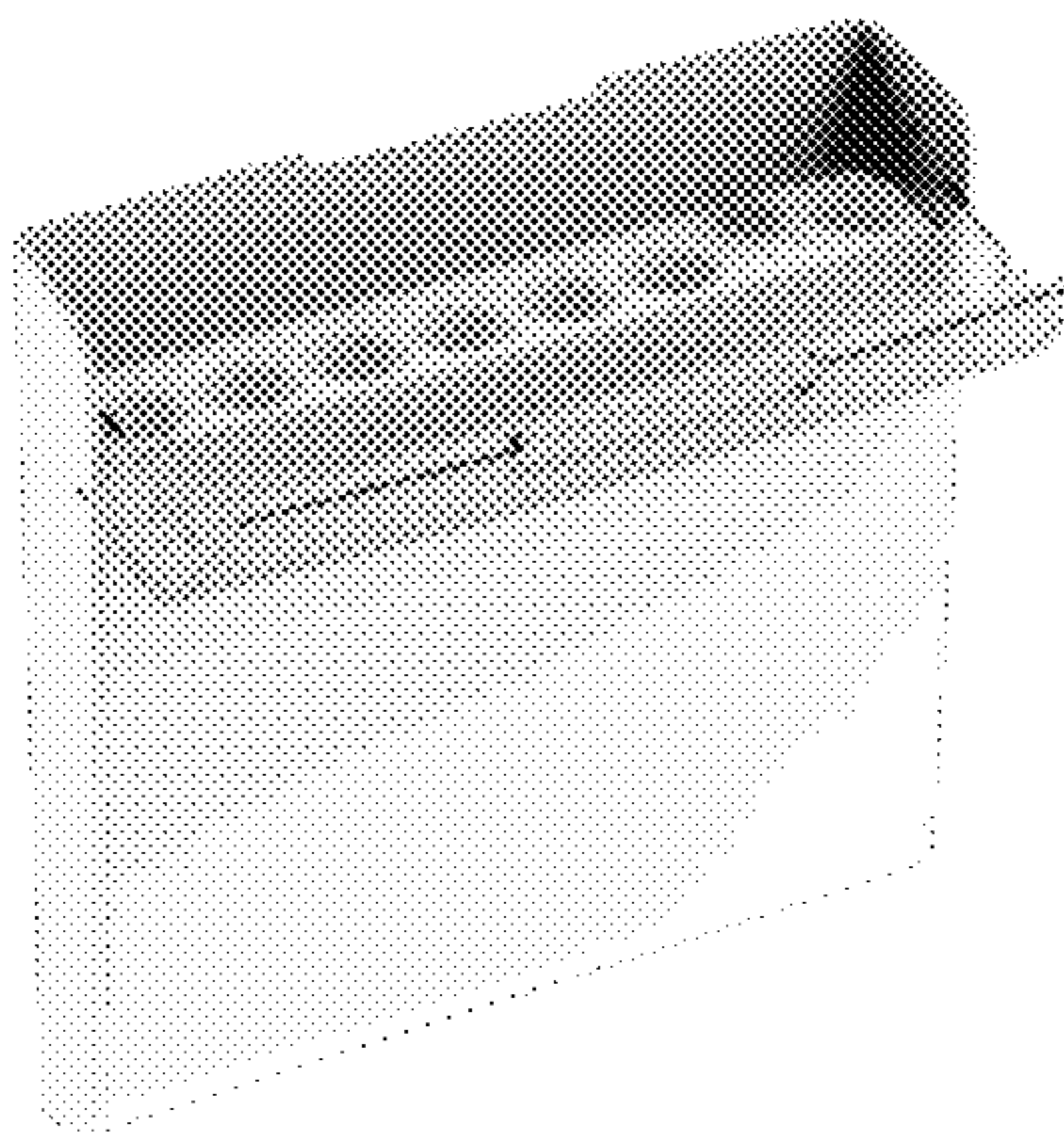


FIG. 10 is a bottom view of the container of FIG. 8;
 FIG. 11 is a front view of the container of FIG. 8;
 FIG. 12 is a back view of the container of FIG. 8;
 FIG. 13 is a right side view of the container of FIG. 8; and,
 FIG. 14 is a left side view of the container of FIG. 8.

1 Claim, 10 Drawing Sheets

(58) **Field of Classification Search**

CPC B01L 9/06; G01N 2001/005; B65A 83/10;
 B65D 43/16

See application file for complete search history.

(56) **References Cited**

U.S. PATENT DOCUMENTS

5,103,997 A * 4/1992 Shillington B65F 1/141
 206/366
 5,154,345 A * 10/1992 Shillington A61M 5/3205
 206/366
 5,190,169 A * 3/1993 Sincock A61M 5/3213
 206/366
 5,277,312 A * 1/1994 Vumbaca A61M 5/3205
 206/365
 5,419,435 A * 5/1995 Perzan B65F 1/141
 206/366

6,250,465 B1 * 6/2001 Daniels B65F 1/10
 206/366
 6,279,743 B1 * 8/2001 Ballard A61M 5/3213
 128/852
 D451,195 S * 11/2001 Daniels D24/131
 6,361,746 B1 * 3/2002 Wlodarski B01L 7/00
 200/500
 6,409,705 B1 * 6/2002 Kondo A61M 5/3202
 604/192
 7,028,839 B2 * 4/2006 Belloli B65B 21/242
 206/443
 7,104,400 B2 * 9/2006 Kiehne A61M 5/002
 206/366
 D560,489 S * 1/2008 Satnick D3/293
 8,727,162 B2 * 5/2014 Finnestad A61B 50/362
 220/254.1
 D775,463 S * 1/2017 Shieh D3/215
 D804,223 S * 12/2017 Lovelace D6/673
 D807,504 S * 1/2018 Pena D24/131

OTHER PUBLICATIONS

Gold Mining Glass Vials and Vial Case Holder (via amazon.com),
 available Jul. 10, 2018, [online], [site visited Jul. 10, 2018]. Avail-
 able from internet, <URL: <https://www.amazon.com/Gold-Mining-Glass-Vials-Holder/dp/B01N5O7EMC> (Year: 2018).*

* cited by examiner

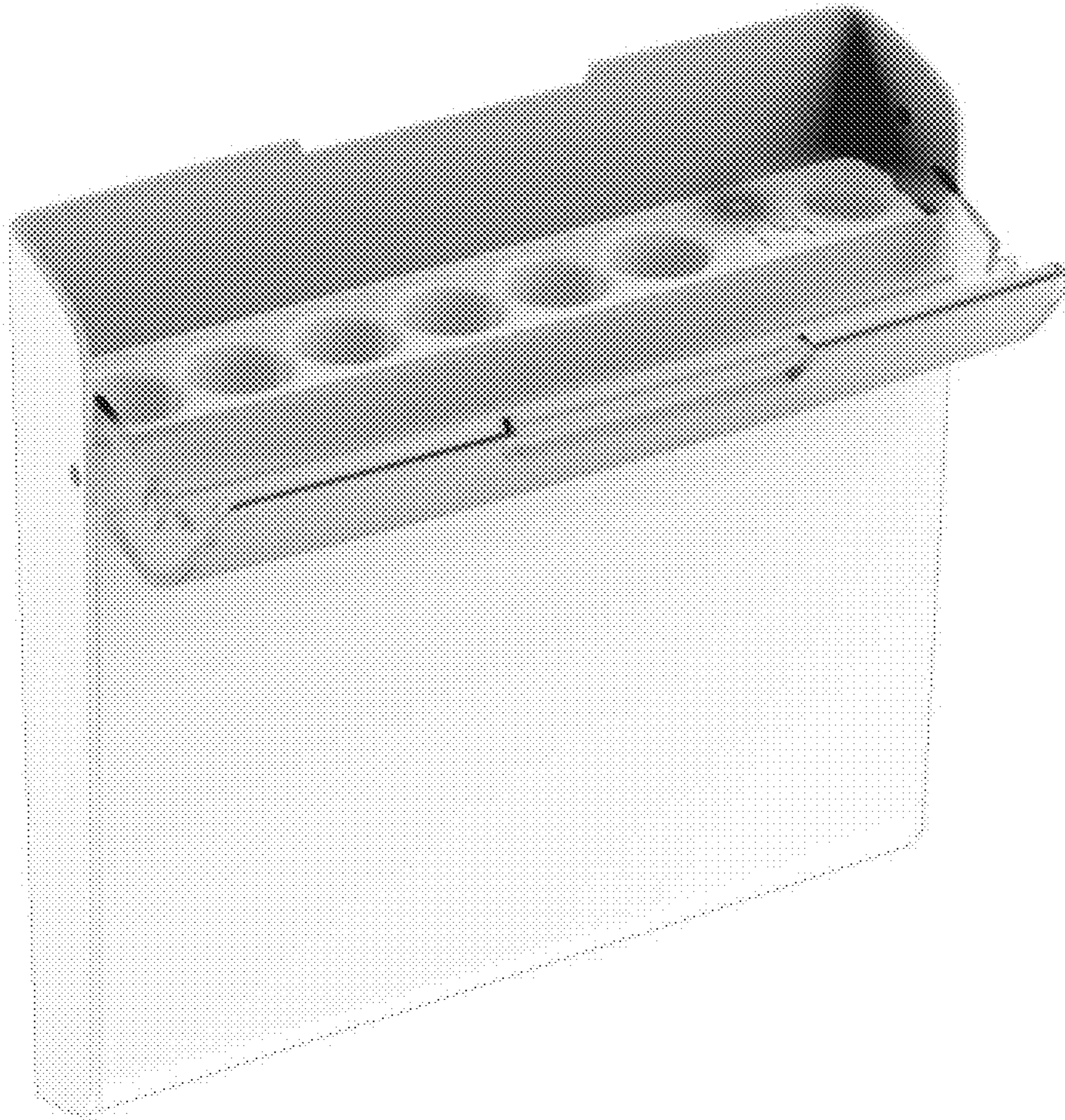


FIG. 1



FIG. 2

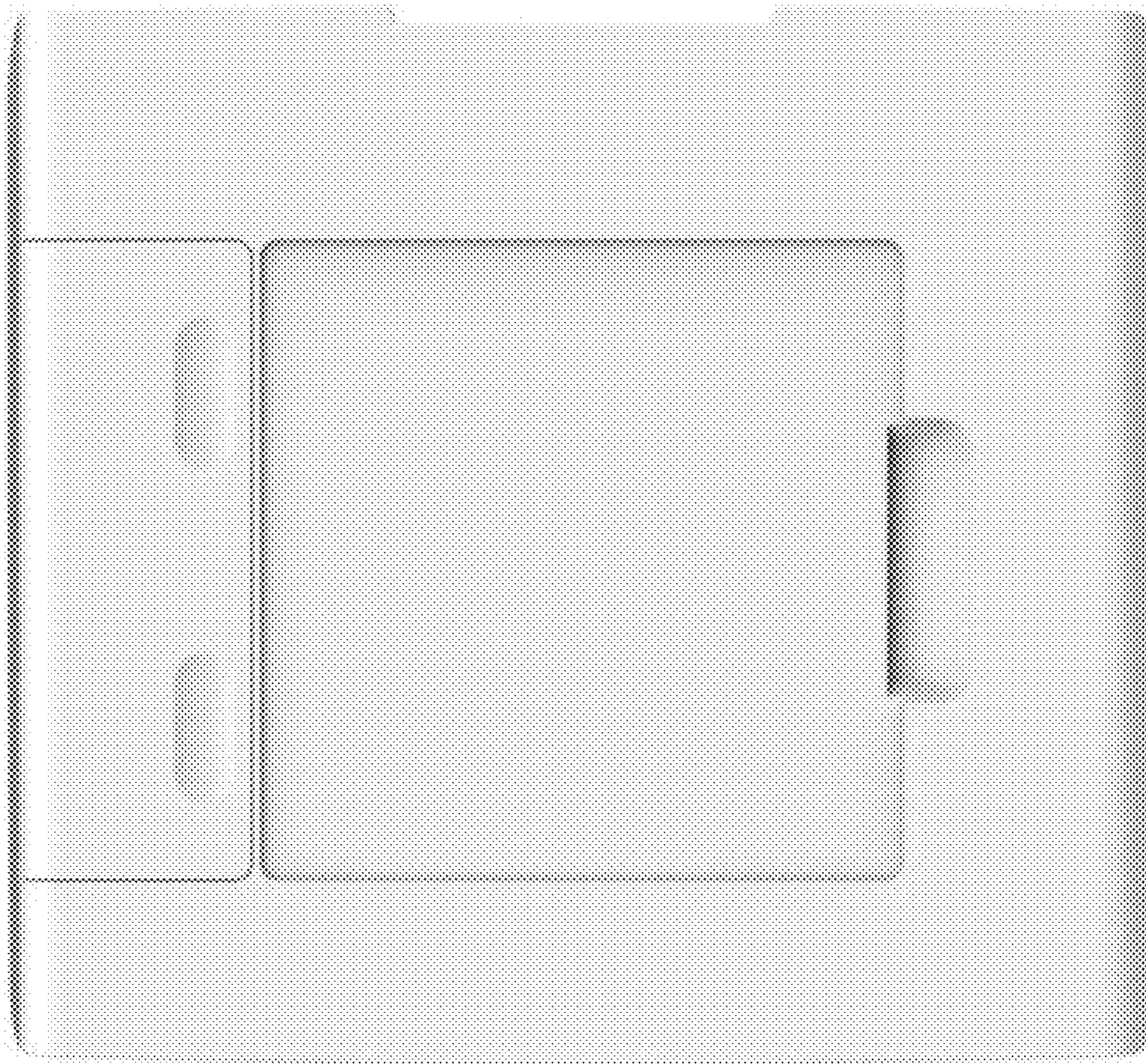


FIG. 3

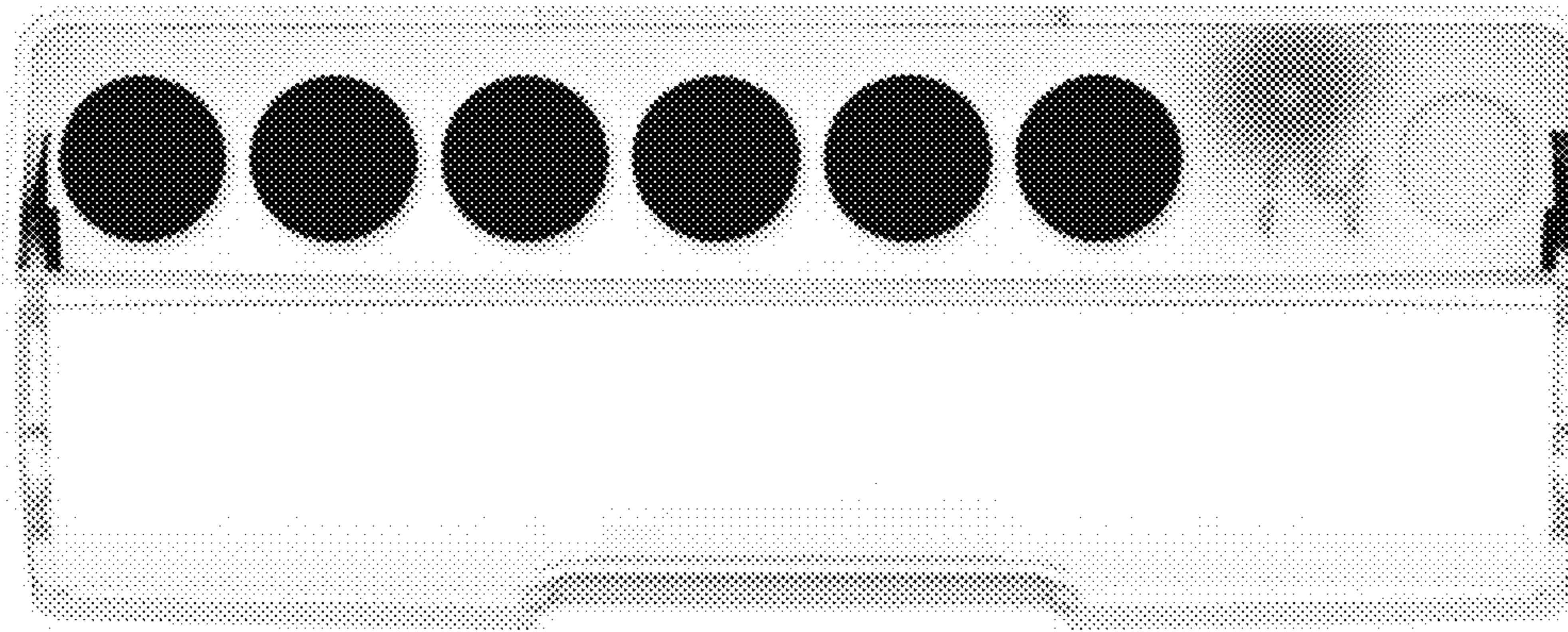


FIG. 4

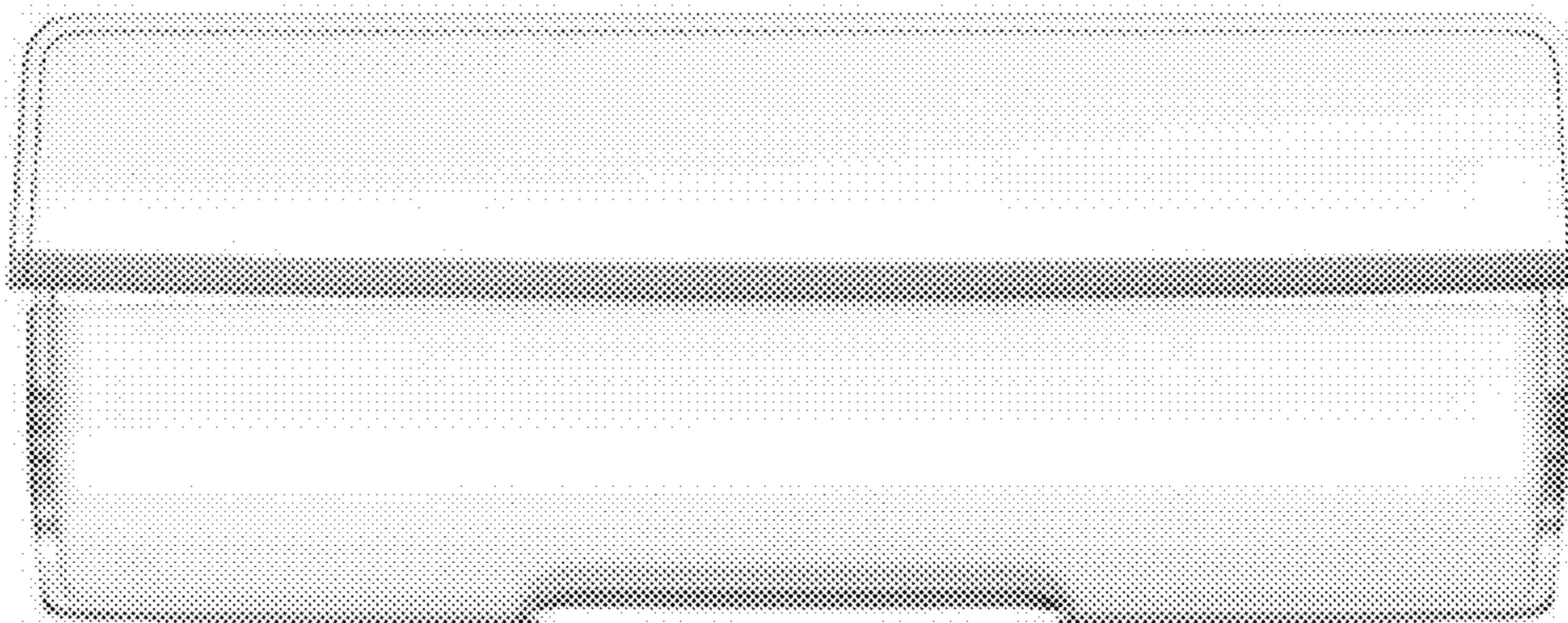


FIG. 5

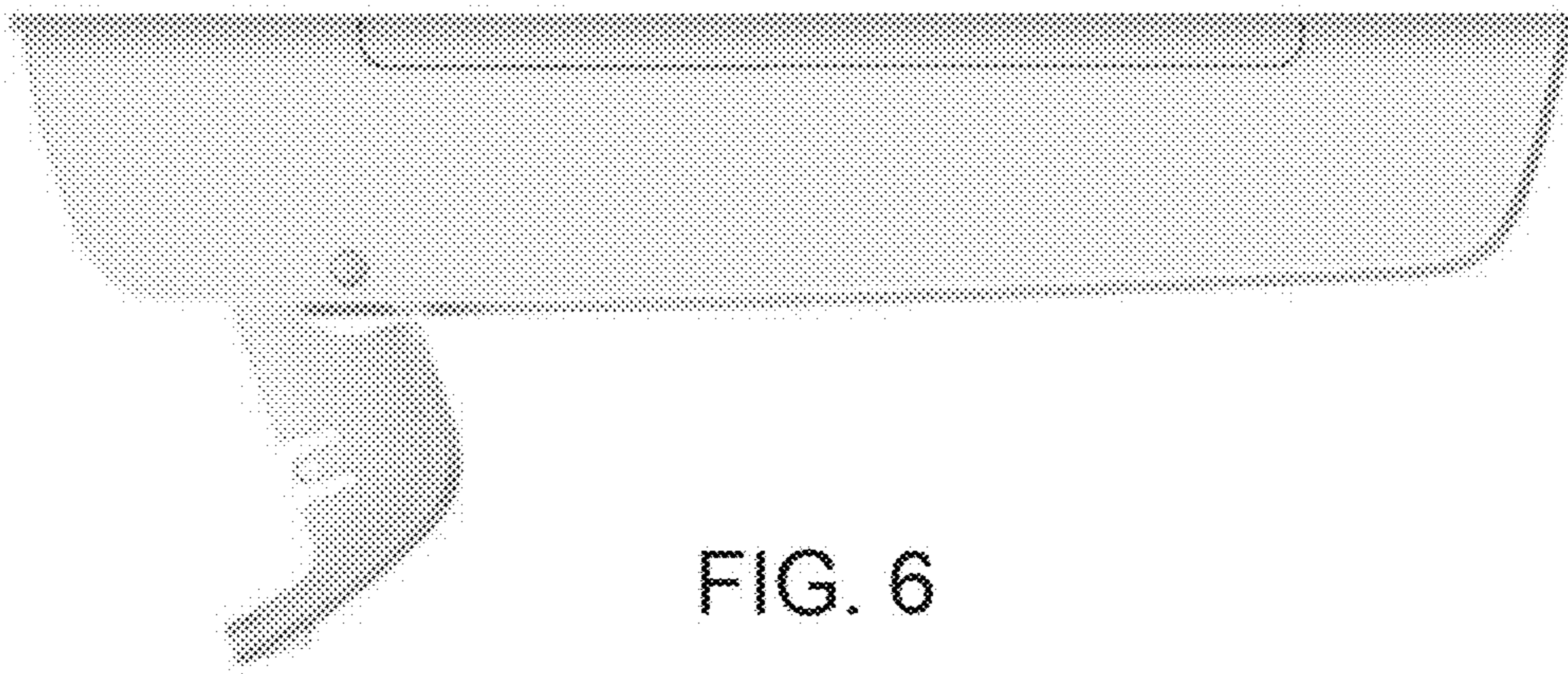


FIG. 6

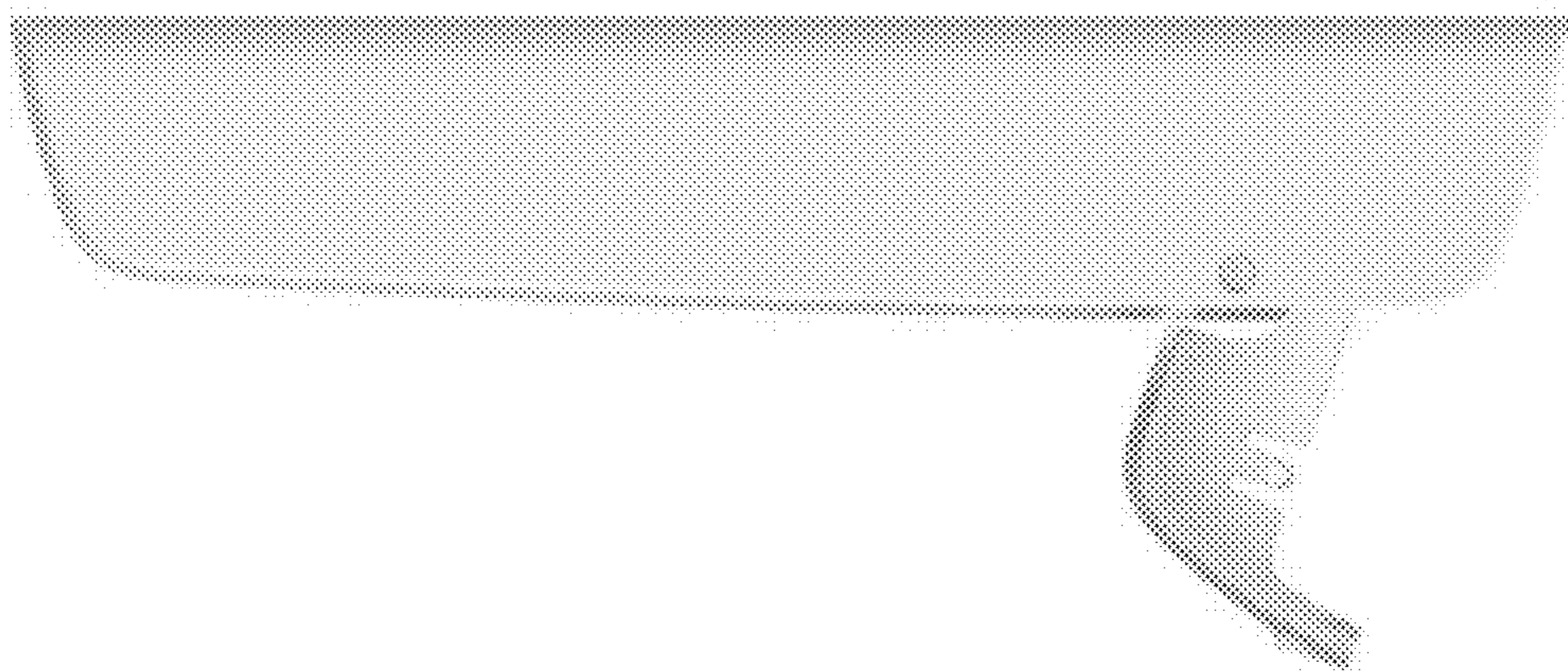


FIG. 7



FIG. 8



FIG. 9

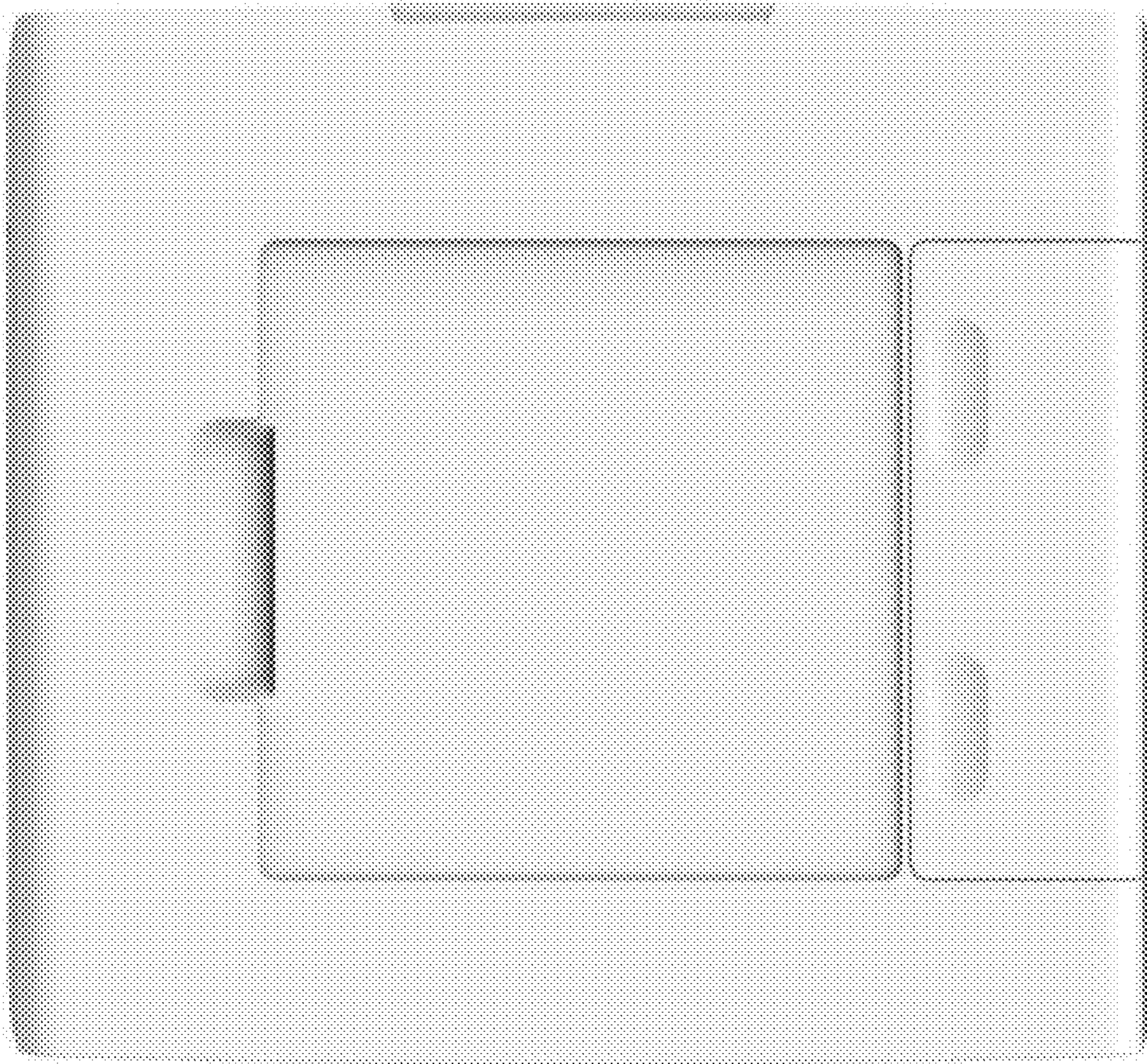


FIG. 10

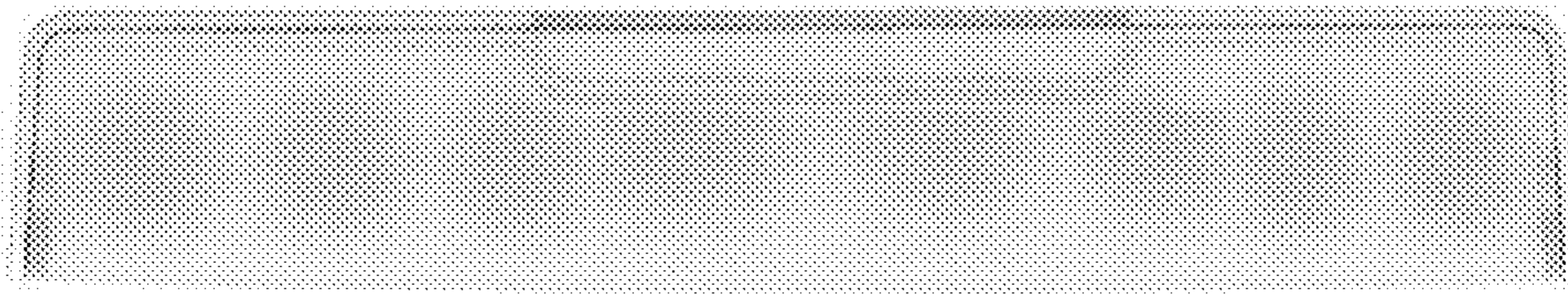


FIG. 11

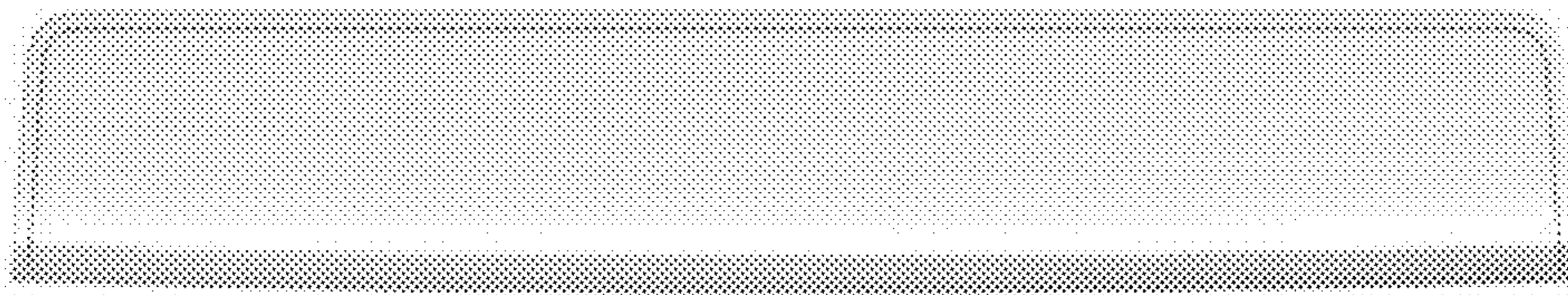


FIG. 12

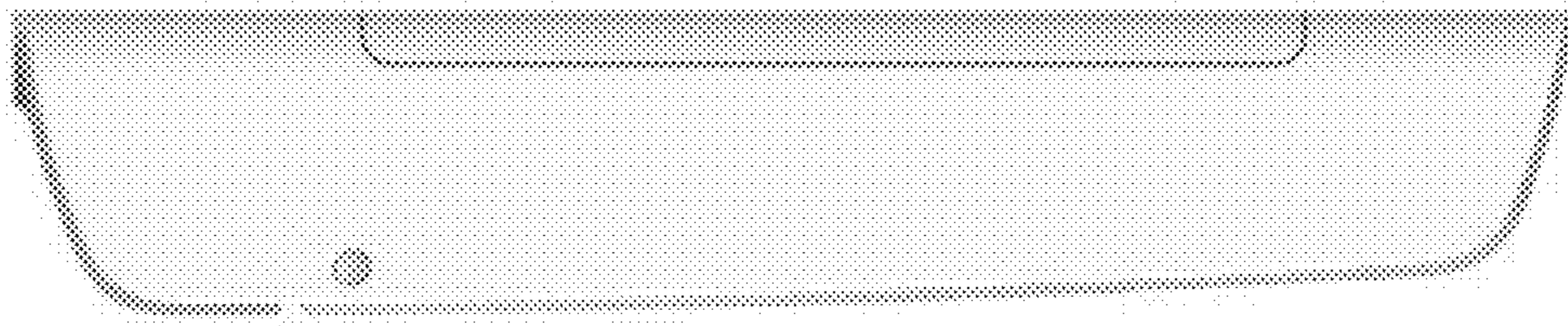


FIG. 13

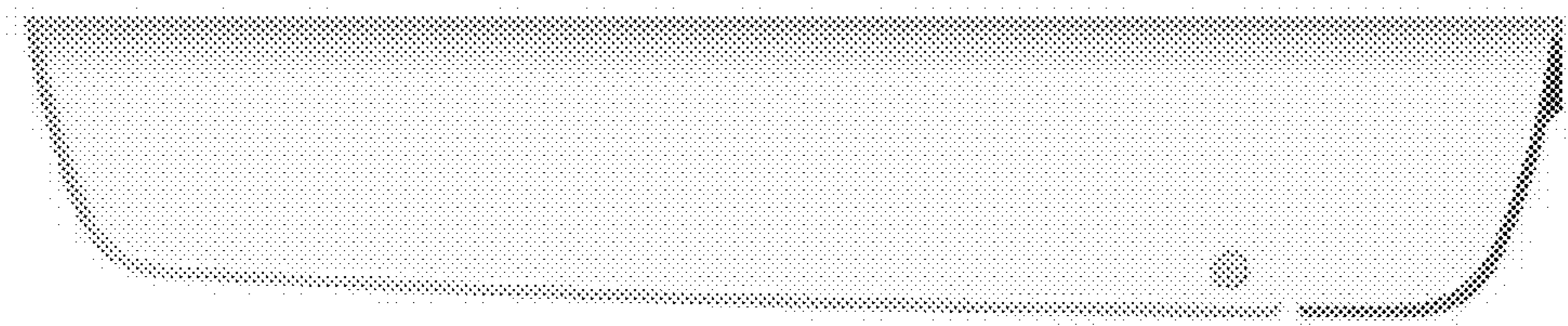


FIG. 14