



US00D835890S

(12) **United States Design Patent**  
**Swank**

(10) **Patent No.:** **US D835,890 S**

(45) **Date of Patent:** **\*\* Dec. 18, 2018**

(54) **NECK SHADE ACCESSORY FOR A HAT**

(71) Applicant: **Jeffrey Swank**, Sunbury, PA (US)

(72) Inventor: **Jeffrey Swank**, Sunbury, PA (US)

(\*\*) Term: **15 Years**

(21) Appl. No.: **29/629,173**

(22) Filed: **Dec. 12, 2017**

(51) **LOC (11) Cl.** ..... **02-03**

(52) **U.S. Cl.**  
USPC ..... **D2/891**

(58) **Field of Classification Search**  
USPC ..... D2/865, 866, 867, 868, 870, 873, 878,  
D2/879, 880, 881, 883, 891, 893;  
D29/104, 106, 108, 122  
CPC ..... A41D 23/00; A42B 1/00; A42B 1/006;  
A42B 1/008; A42B 1/02; A42B 1/04;  
A42B 1/046; A42B 1/06; A42B 1/061;  
A42B 1/064; A42B 1/066; A42B 1/067;  
A42B 1/08; A42B 1/18; A42B 5/00;  
A42C 5/00; A42C 5/04

See application file for complete search history.

(56) **References Cited**

**U.S. PATENT DOCUMENTS**

5,153,943	A	10/1992	Clement	
5,161,259	A	11/1992	Shorts	
D333,366	S *	2/1993	Brown	D29/109
5,603,120	A *	2/1997	Gifford	A42B 3/105
				2/172
5,655,225	A *	8/1997	Mathers	A42B 1/067
				2/172
D403,492	S *	1/1999	Tseng	D2/865

6,021,525	A	2/2000	Mertins	
D490,969	S *	6/2004	Kobayashi	D2/891
6,857,134	B1	2/2005	Cowell	
7,310,829	B1	12/2007	Engel-Wilson	
D624,287	S *	9/2010	Shamchander	D2/892
8,209,781	B2 *	7/2012	Krochmal	A42B 3/16
				2/422
D666,366	S *	8/2012	Votel	D29/122
8,291,518	B1	10/2012	Davenport	
8,479,319	B1	7/2013	Erhardt	
D710,433	S *	8/2014	Danner	D16/330
9,402,432	B2	8/2016	Dean	
9,743,699	B2 *	8/2017	Peterson	A42B 1/067
2007/0000026	A1	1/2007	Carr	
2008/0066214	A1	3/2008	O'Hare	

\* cited by examiner

*Primary Examiner* — Karen S Acker  
*Assistant Examiner* — Jasmine Mlinarcik

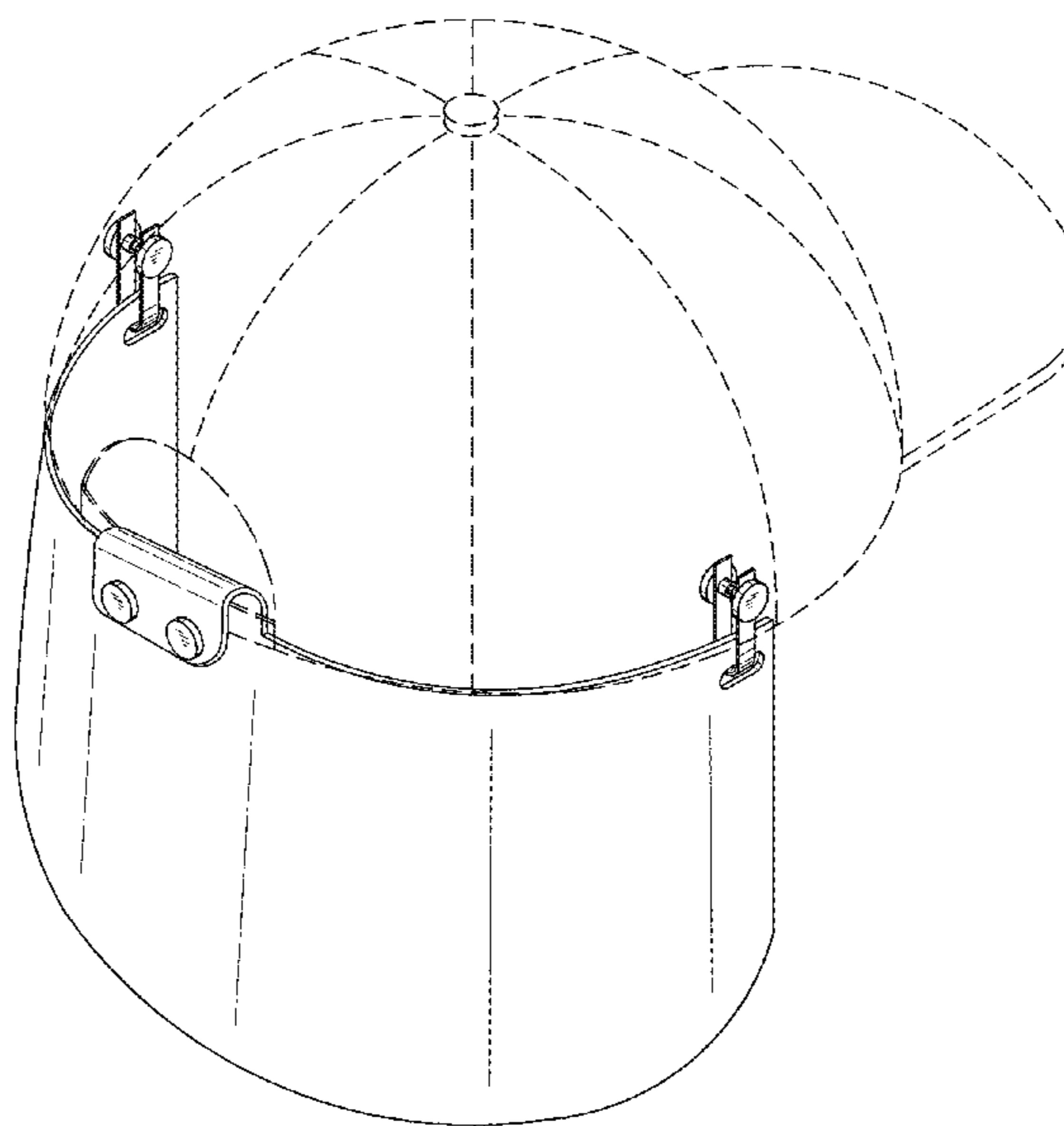
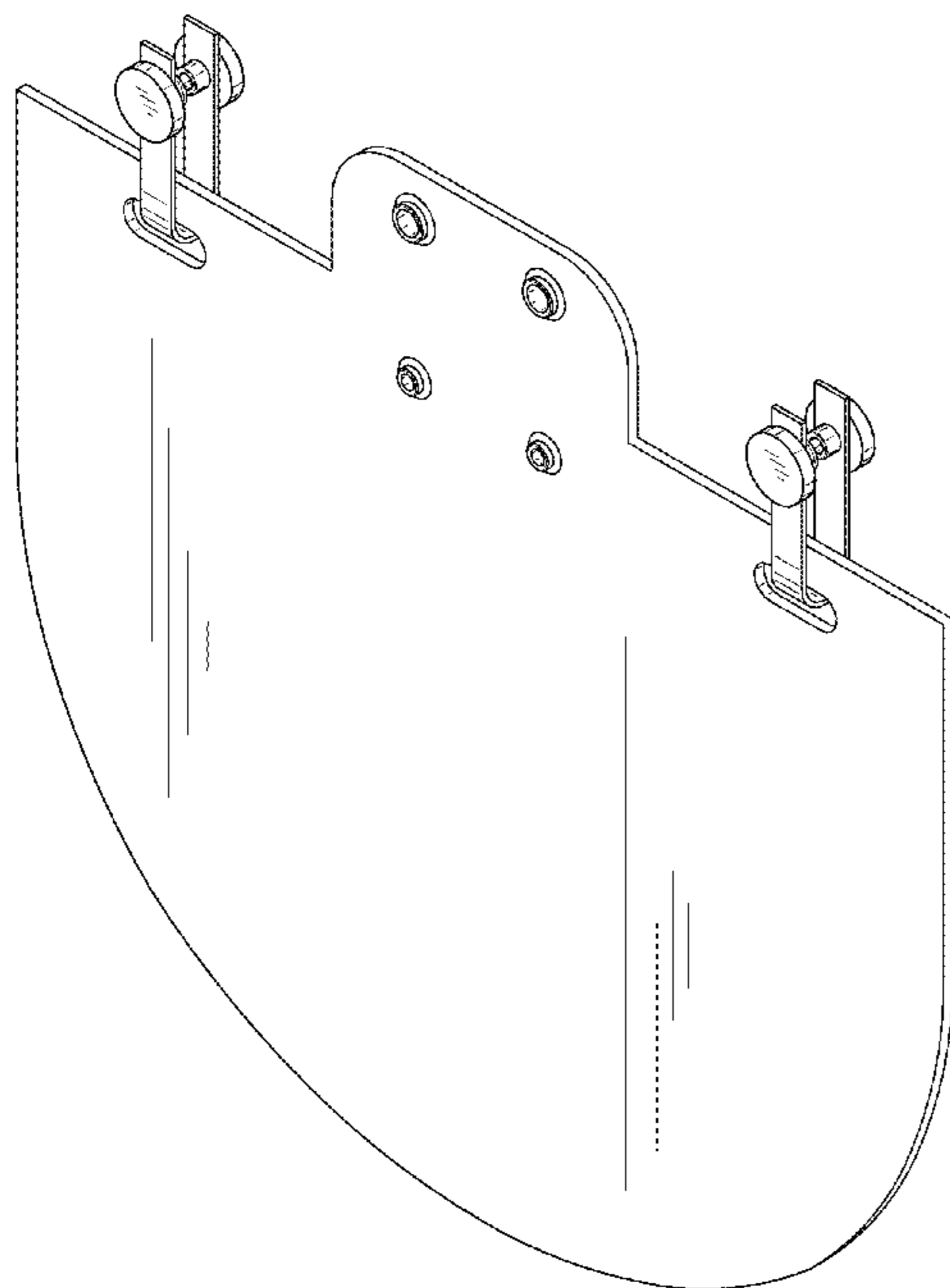
(57) **CLAIM**

I claim the ornamental design for a neck shade accessory for a hat, as shown and described.

**DESCRIPTION**

FIG. 1 is a front view of a neck shade accessory for a hat. FIG. 2 is a rear view thereof. FIG. 3 is a side view thereof. FIG. 4 is a top view thereof. FIG. 5 is a bottom thereof. FIG. 6 is a perspective view thereof; and, FIG. 7 is a rear perspective view thereof as it appears on a hat. The broken lines illustrating a hat in FIG. 7 depict environmental matter that forms no part of the claimed design.

**1 Claim, 5 Drawing Sheets**



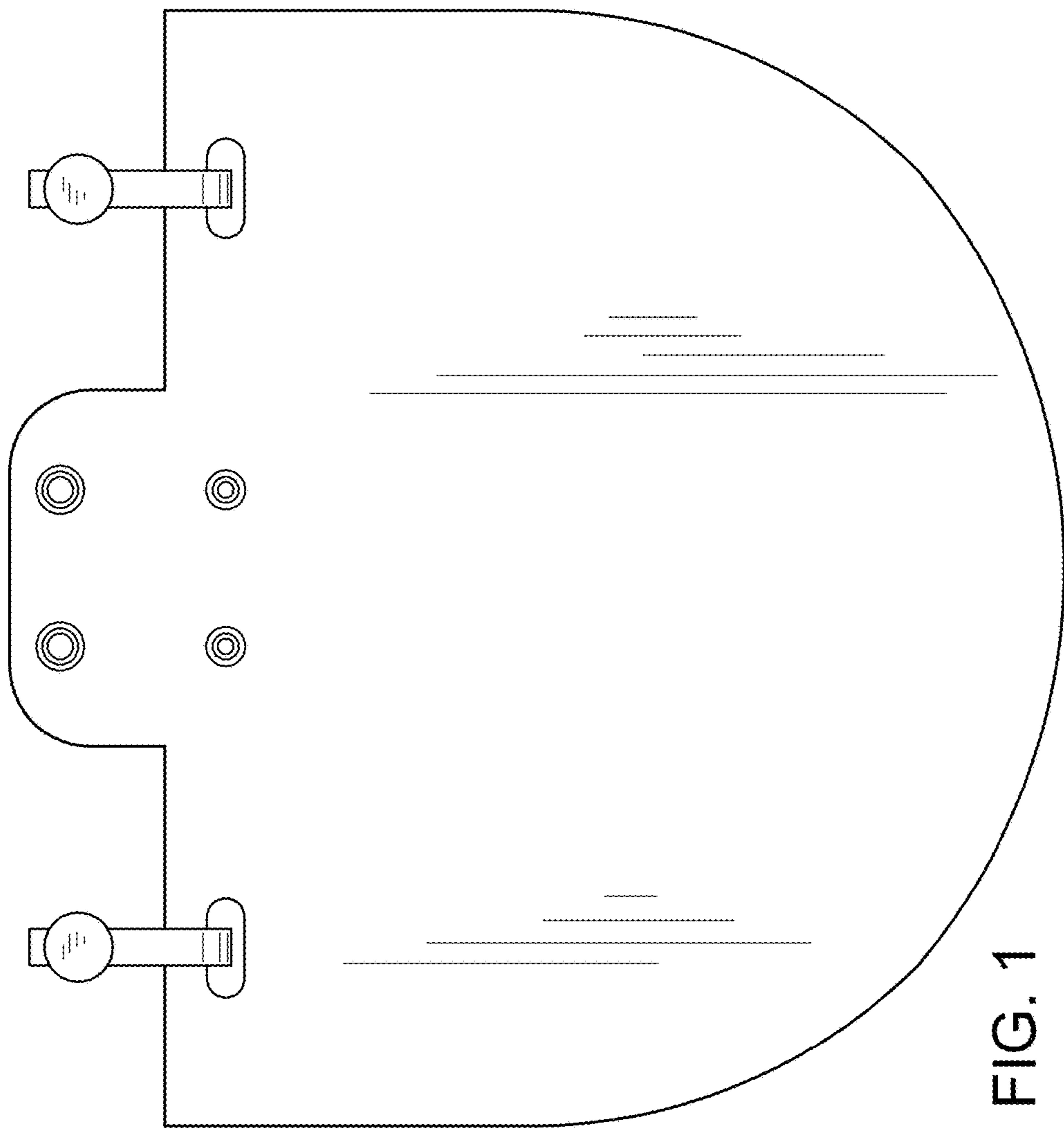
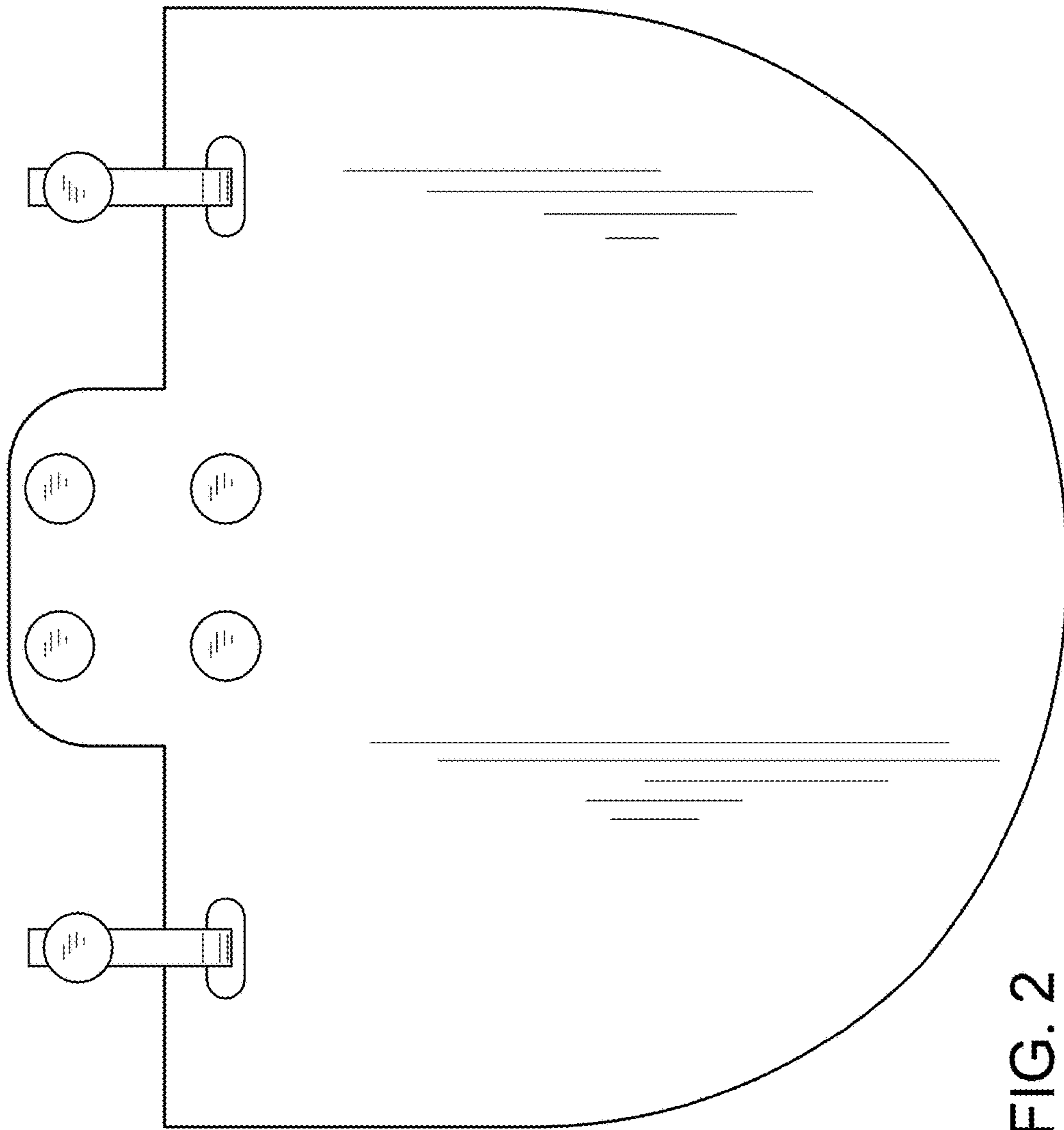


FIG. 1



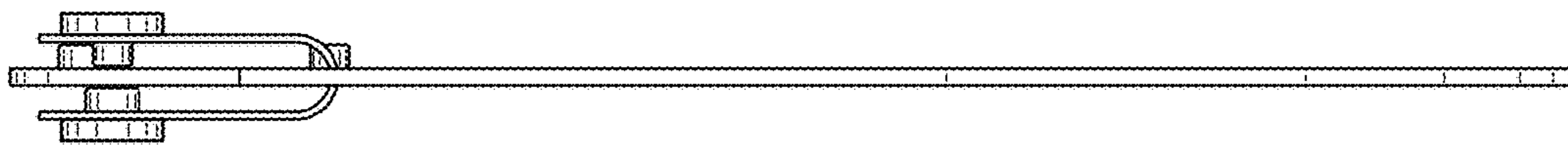


FIG. 3

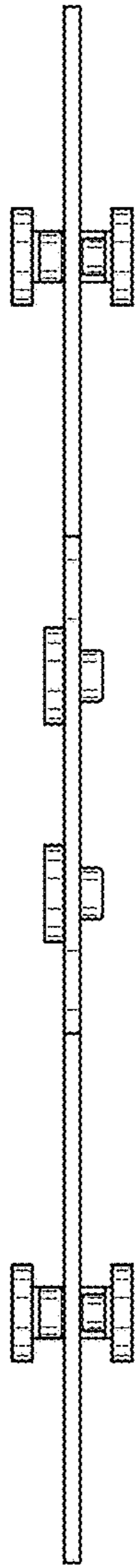


FIG. 4

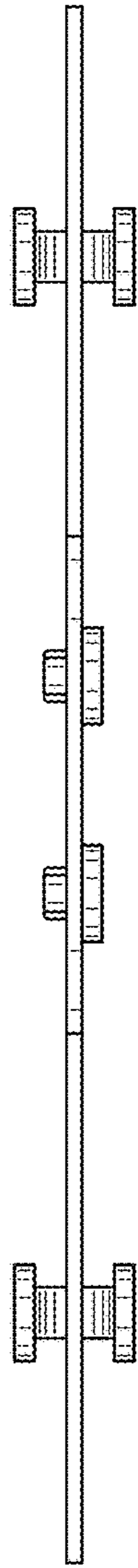


FIG. 5

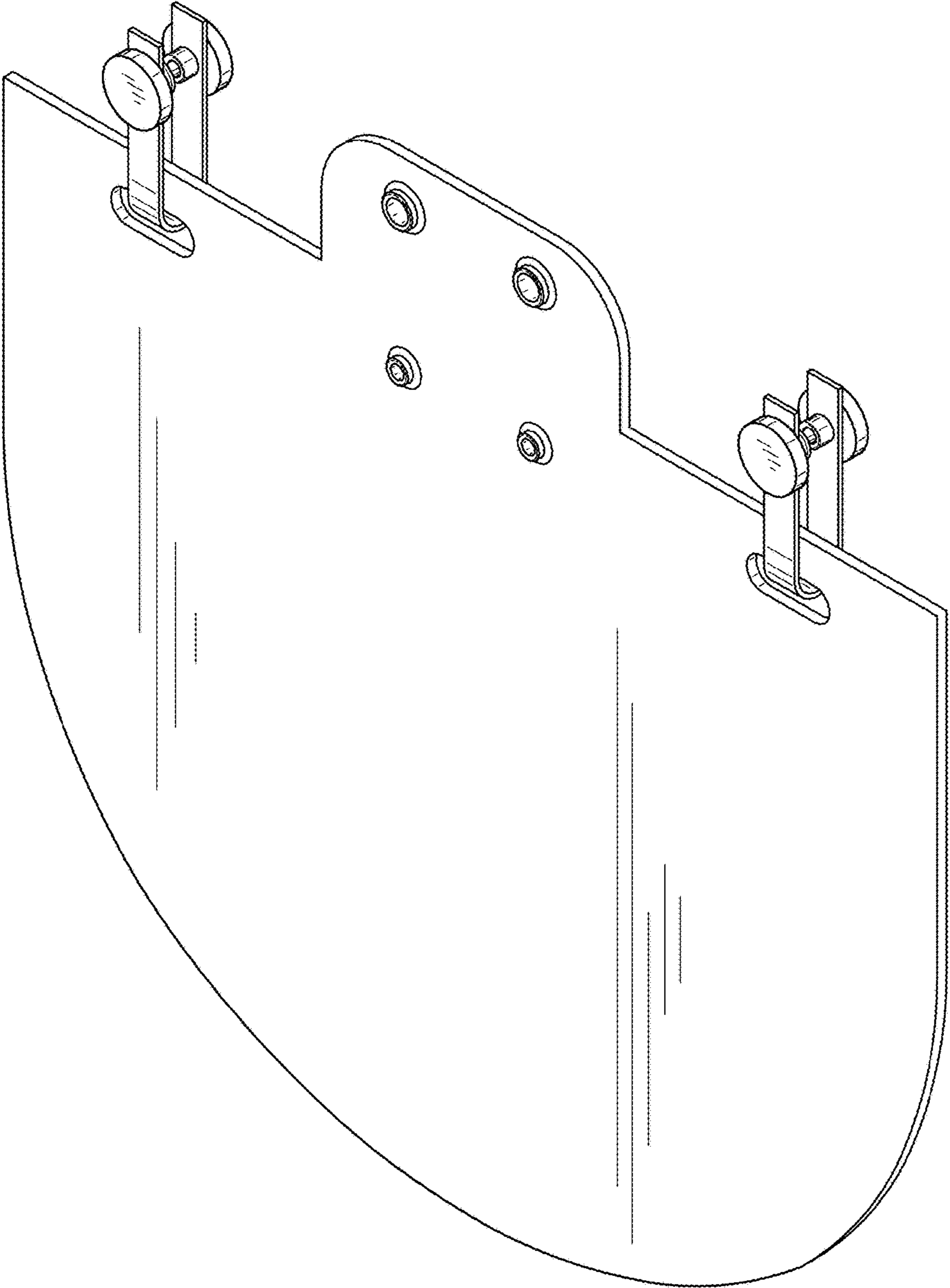


FIG. 6

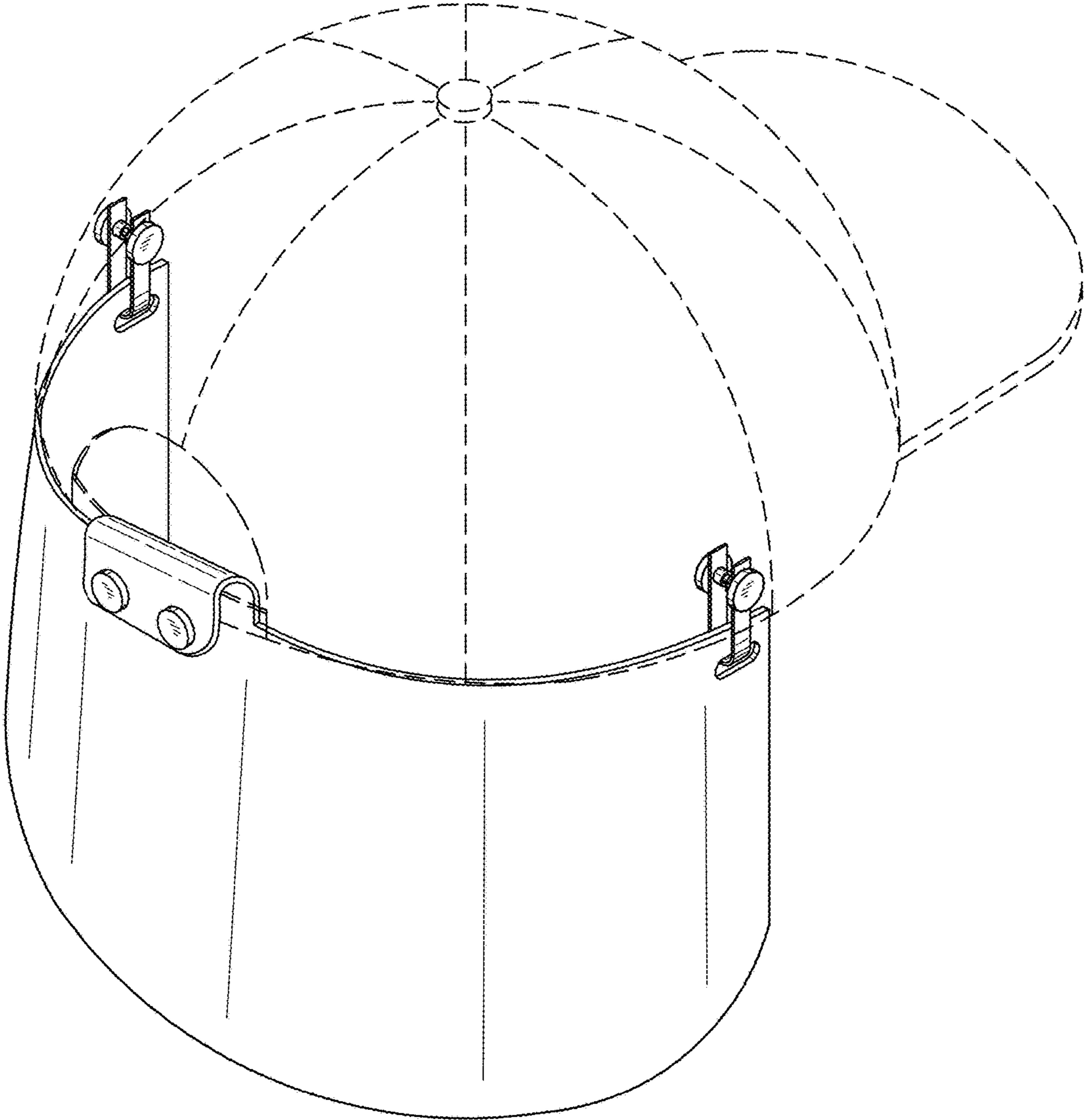


FIG. 7