



US00D835889S

(12) **United States Design Patent**
Yim

(10) **Patent No.:** **US D835,889 S**

(45) **Date of Patent:** **** Dec. 18, 2018**

- (54) **HAT**
- (71) Applicant: **Hyo Jeong Yim**, Palisades Park, NJ (US)
- (72) Inventor: **Hyo Jeong Yim**, Palisades Park, NJ (US)
- (**) Term: **15 Years**
- (21) Appl. No.: **29/591,562**
- (22) Filed: **Jan. 20, 2017**
- (51) **LOC (11) Cl.** **02-03**
- (52) **U.S. Cl.**
USPC **D2/889**
- (58) **Field of Classification Search**
USPC D2/865, 866, 867, 869, 870, 873, 878, D2/879, 883, 888, 889, 891, 895
CPC .. A42B 1/00; A42B 1/004; A42B 1/04; A42B 1/041; A42B 1/12; A42B 1/225; A42B 1/248
See application file for complete search history.

(56) **References Cited**

U.S. PATENT DOCUMENTS

D58,384 S *	7/1921	Jeffries	D2/889
1,445,981 A *	2/1923	Strauss	A42B 1/066 2/172
D62,863 S *	8/1923	Strauss	D2/889
1,532,750 A *	4/1925	Joha	A42B 1/066 2/172
1,604,244 A *	10/1926	Strauss	A42B 1/066 2/172
1,616,475 A *	2/1927	Tracey	A42B 1/04 2/171.01
1,618,222 A *	2/1927	Phillips	A42B 1/066 2/172
1,686,258 A *	10/1928	Schlesinger	A42B 1/066 2/172

2,133,619 A *	10/1938	Hutton	A42B 1/066 2/172
D131,419 S *	2/1942	Hogg	D11/116
D192,953 S *	5/1962	Zelony	D2/865
D277,426 S *	2/1985	Eisinger	D2/879
5,509,145 A *	4/1996	Stevenson	A42B 1/225 2/171.1
5,933,872 A *	8/1999	Lema	A42B 1/225 2/209.3
D482,186 S *	11/2003	Pytanowski	D2/889
6,711,749 B2 *	3/2004	White	A42B 1/225 2/195.8
D589,687 S *	4/2009	Hoepfner	D2/878
D590,136 S *	4/2009	Campos, Sr.	D2/882
D591,933 S *	5/2009	Shirey	D2/889
D595,033 S *	6/2009	Lynn	D2/882

(Continued)

Primary Examiner — Karen S Acker
Assistant Examiner — Jasmine Mlinarcik

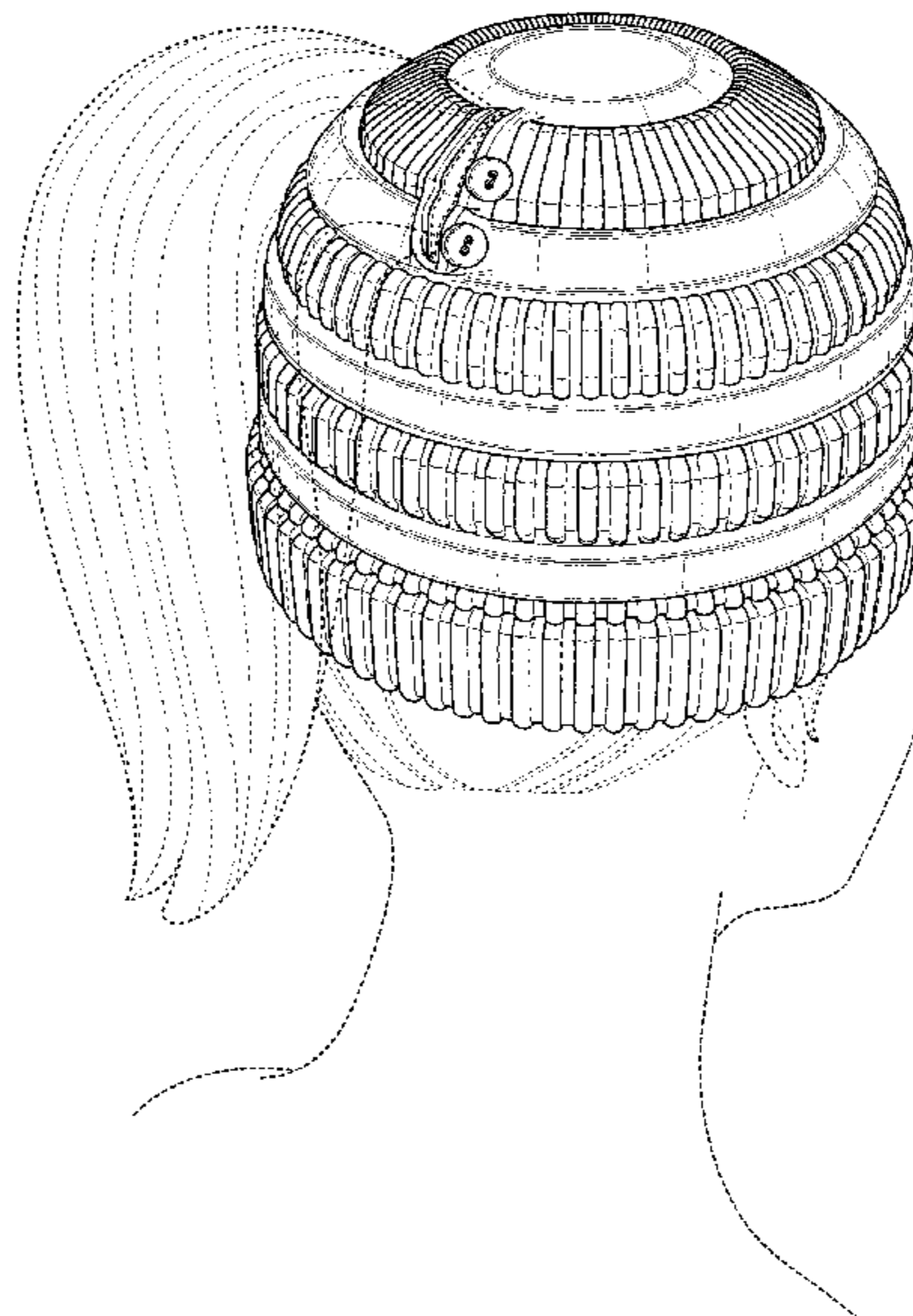
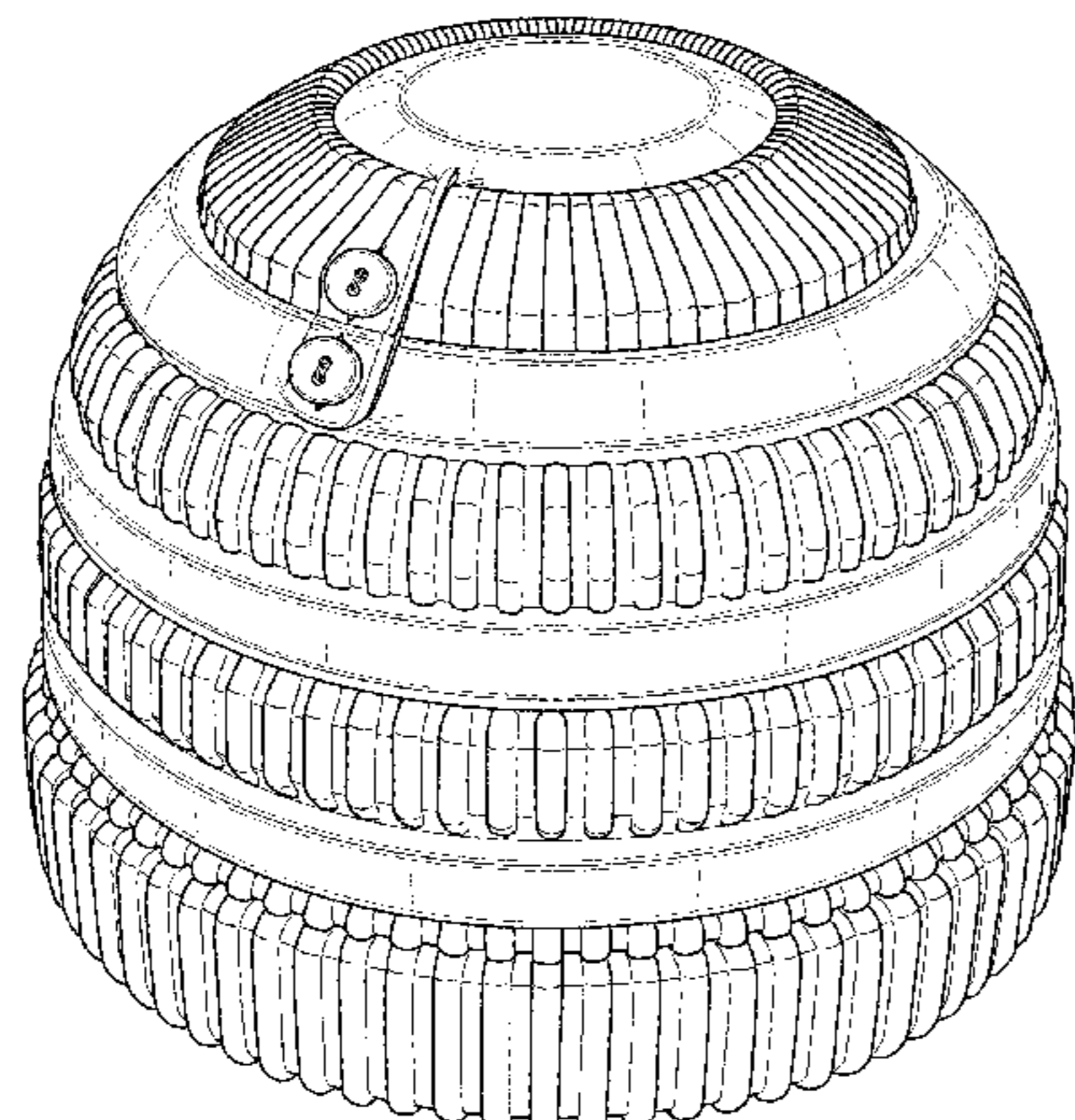
(57) **CLAIM**

The ornamental design for a hat, as shown and described.

DESCRIPTION

FIG. 1 is a rear perspective view of the design, showing an opening at the top being closed by two buttons;
 FIG. 2 is a rear side view of the design;
 FIG. 3 is a front right side view of the design;
 FIG. 4 is a front left side view of the design;
 FIG. 5 is a left side view of the design, the right side being the same thereto;
 FIG. 6 is a top side view of the design;
 FIG. 7 is a bottom side view of the design; and,
 FIG. 8 is a rear perspective view of the design, showing the opening at the top being opened.
 The broken line depiction of the partial human figure in FIG. 8 assists in illustrating how the claimed design may appear when worn. The broken lines form no part of the claimed design.

1 Claim, 8 Drawing Sheets



(56)

References Cited

U.S. PATENT DOCUMENTS

D678,616 S * 3/2013 Norton D29/102
D750,356 S * 3/2016 McLendon D2/889
D770,146 S * 11/2016 Yates D2/889
2009/0255030 A1* 10/2009 Guy A42B 1/225
2/84
2011/0173739 A1* 7/2011 Riesen A42B 1/225
2/209.3
2017/0188644 A1* 7/2017 Foresta A42B 1/041

* cited by examiner

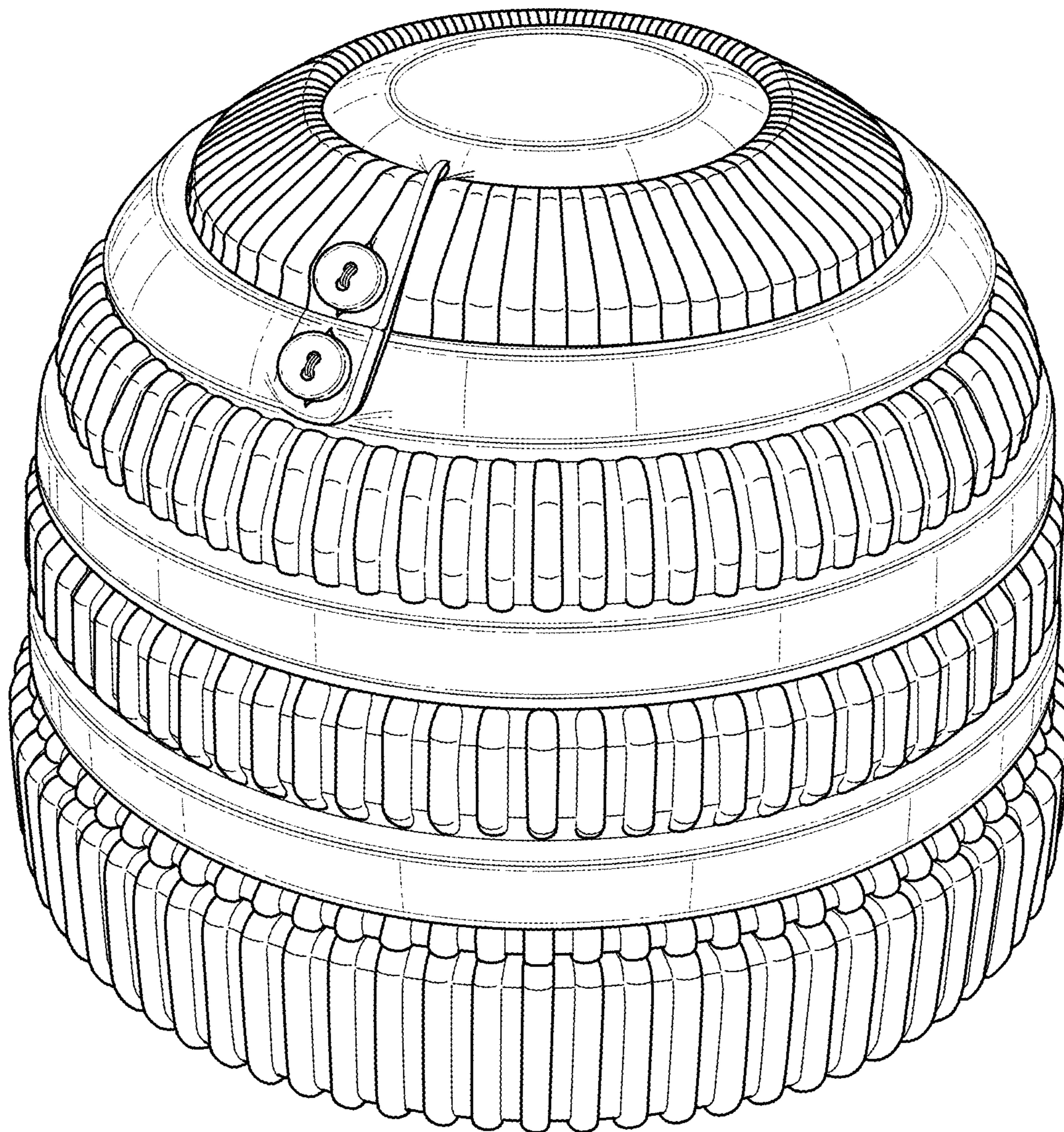


FIG. 1

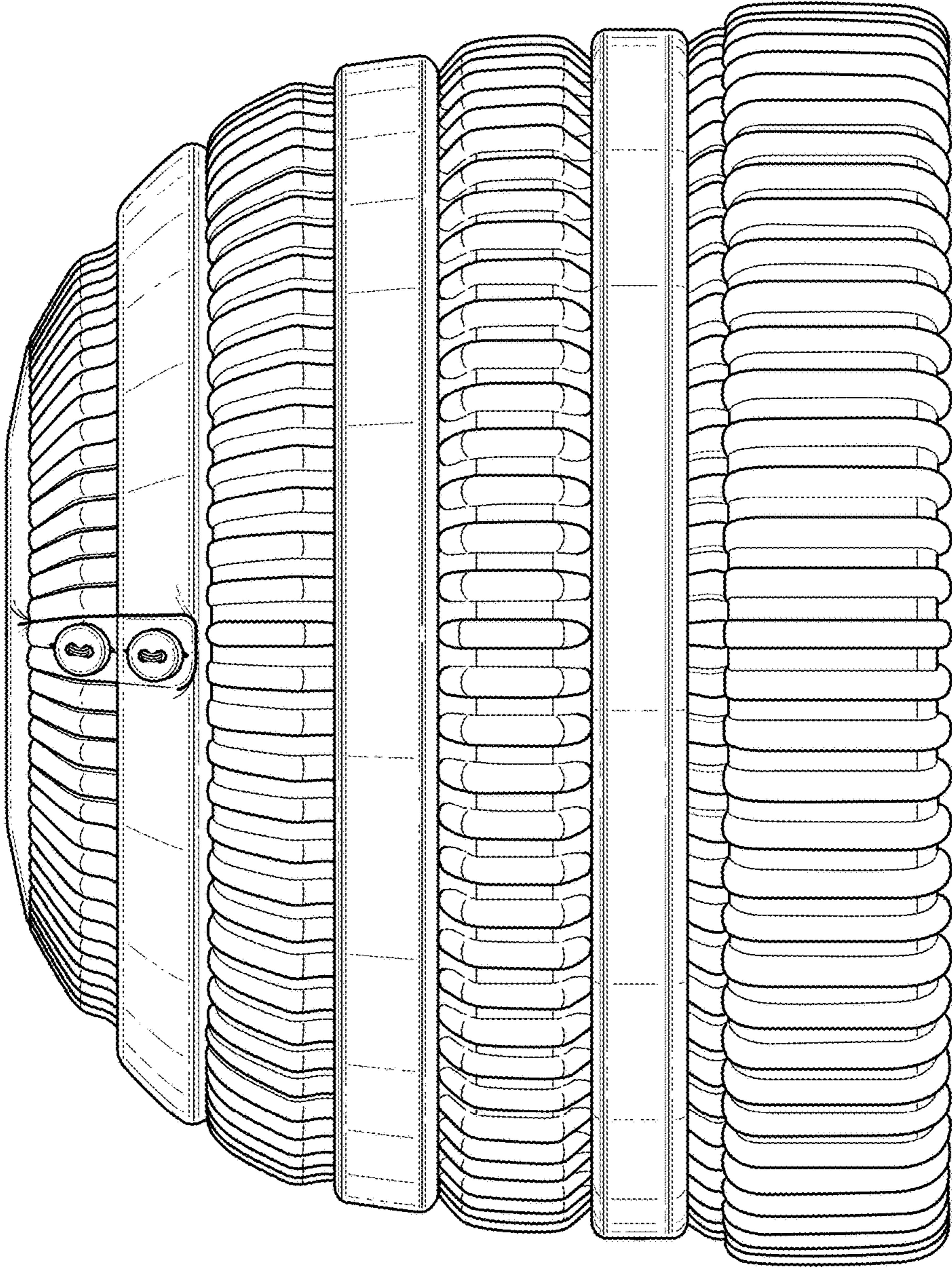


FIG. 2

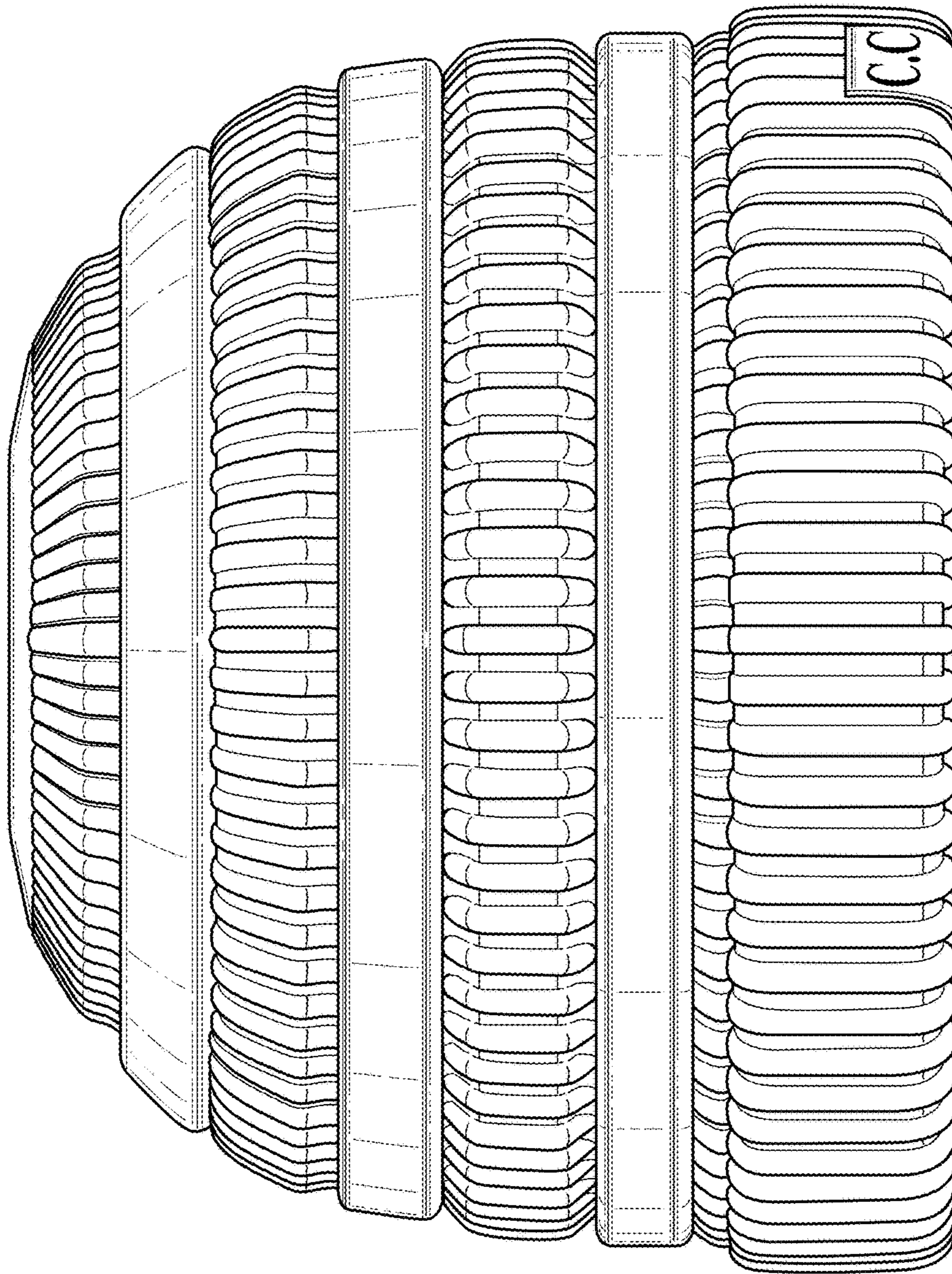


FIG. 3

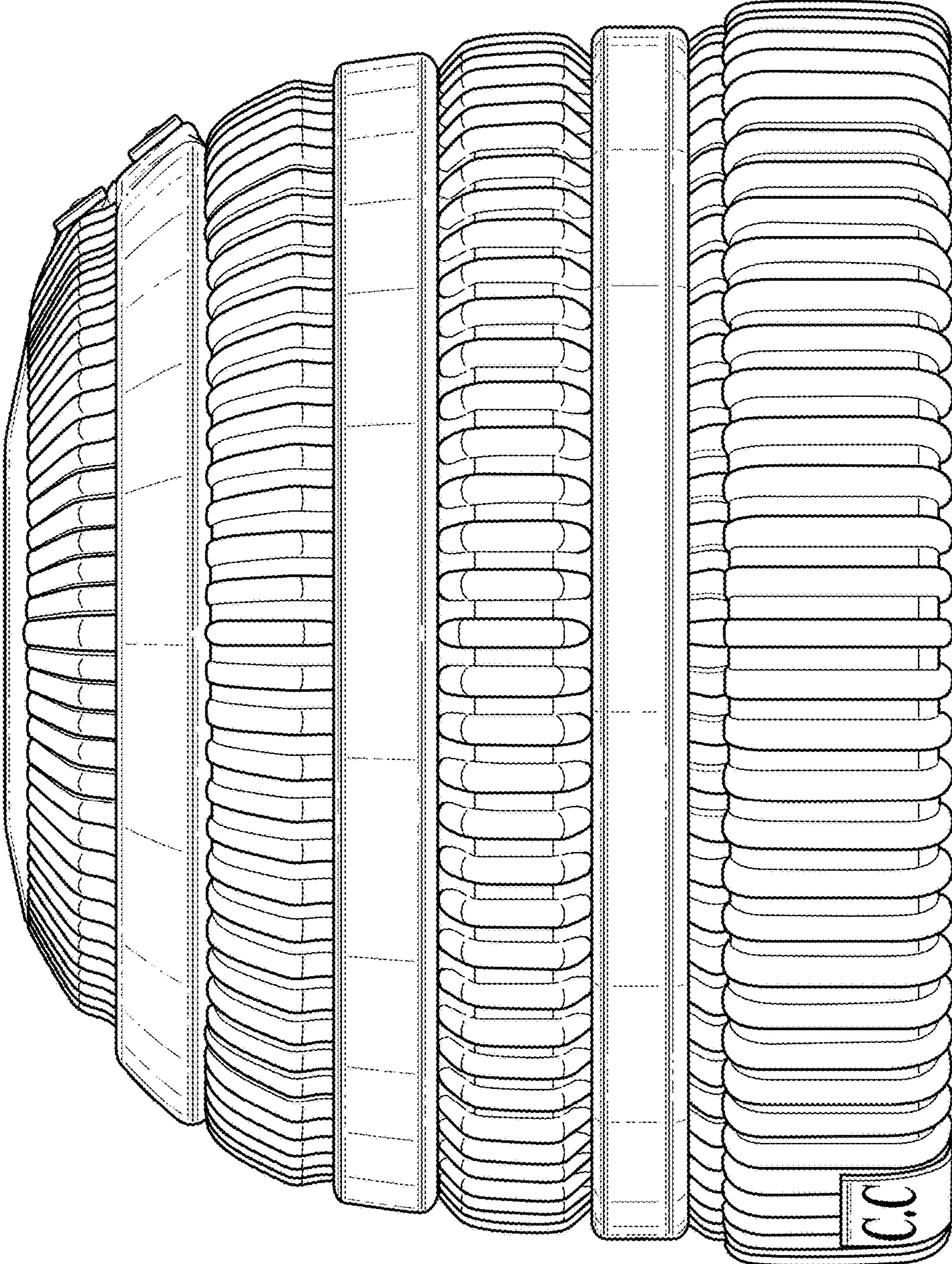


FIG. 4

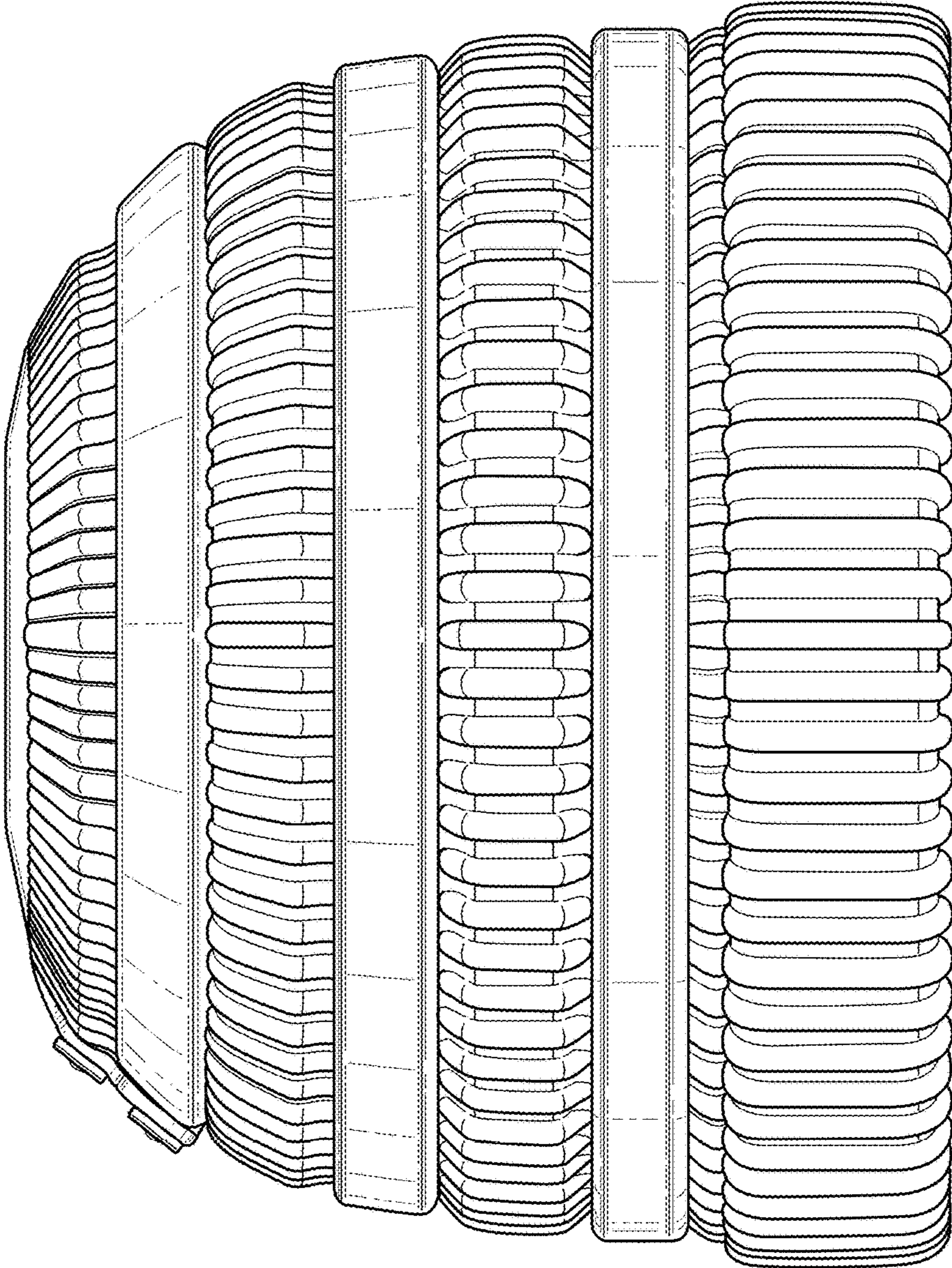


FIG. 5

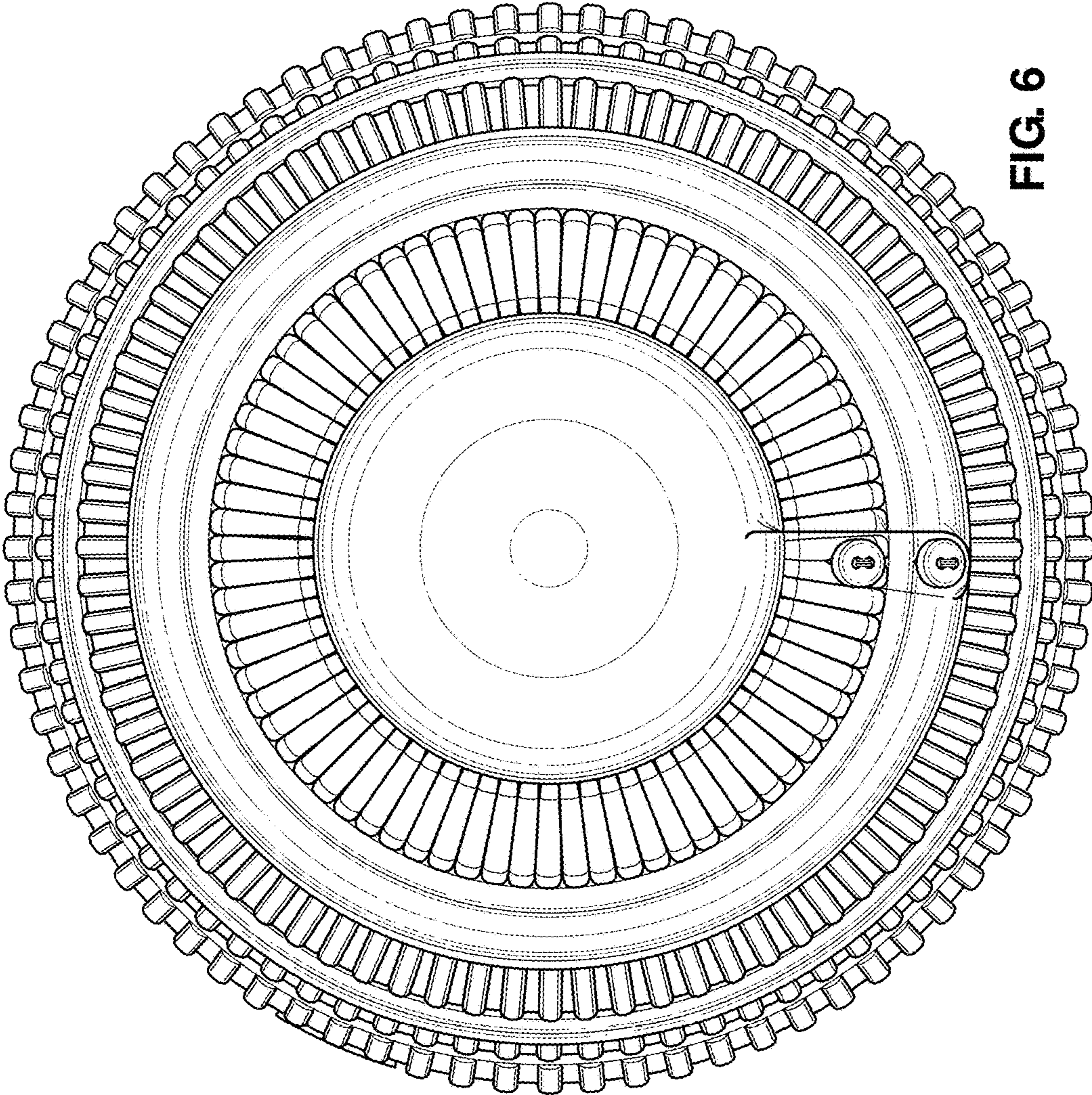


FIG. 6

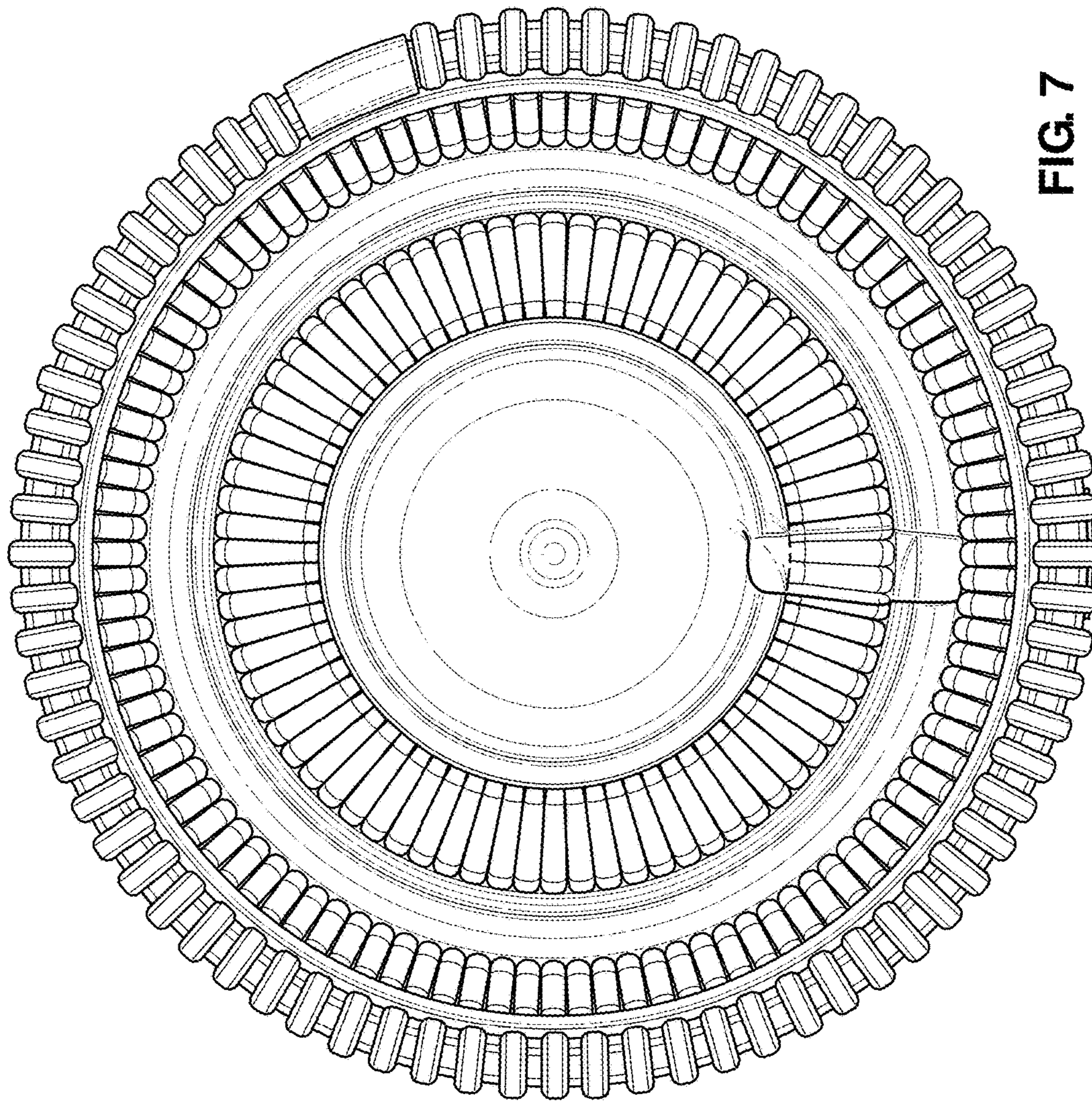


FIG. 7

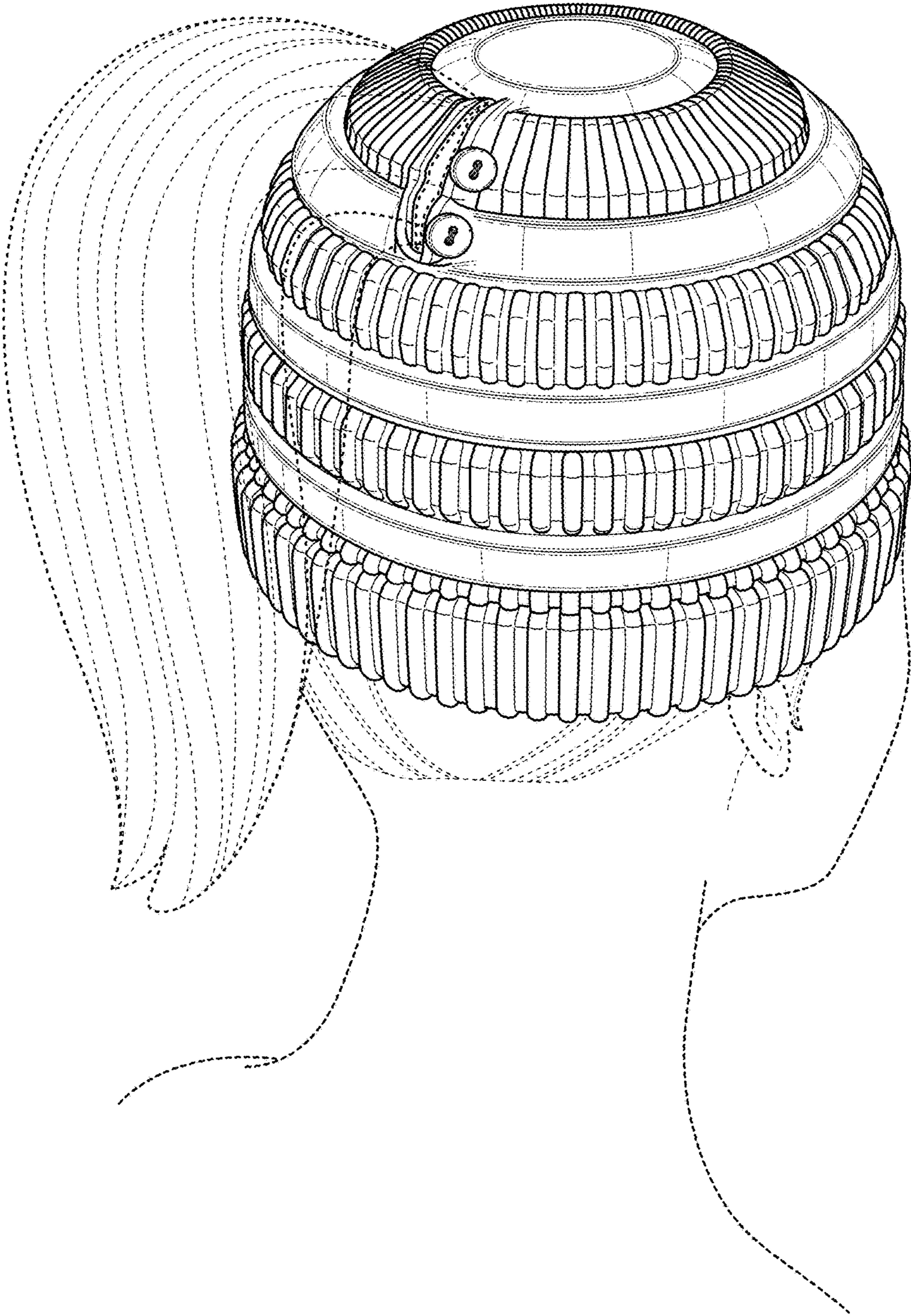


FIG. 8