



US00D835882S

(12) **United States Design Patent** (10) **Patent No.:** **US D835,882 S**
Robertson (45) **Date of Patent:** **** Dec. 18, 2018**

(54) **BRA**
(71) Applicant: **LULULEMON ATHLETICA CANADA INC.**, Vancouver (CA)
(72) Inventor: **Clare Maree Robertson**, Vancouver (CA)
(73) Assignee: **LULULEMON ATHLETICA CANADA INC.**, Vancouver (CA)
(**) Term: **15 Years**
(21) Appl. No.: **29/629,196**
(22) Filed: **Dec. 12, 2017**
(51) **LOC (11) Cl.** **02-01**
(52) **U.S. Cl.**
USPC **D2/706**
(58) **Field of Classification Search**
USPC D2/700, 702-703, 706, 708; 450/3
CPC A41D 13/05; A41D 13/0518; A41C 3/00;
A41C 1/00
See application file for complete search history.

D822,341 S * 7/2018 Rendone D2/706
2016/0360801 A1* 12/2016 Sze A41C 3/10
2017/0055602 A1* 3/2017 Abraham A41C 3/0057

* cited by examiner

Primary Examiner — Holly H Baynham
Assistant Examiner — J. Thorn, Sr.
(74) *Attorney, Agent, or Firm* — Conneely PC; Joseph Conneely

(57) **CLAIM**

The ornamental design for a bra, as shown and described.

DESCRIPTION

FIG. 1 is a front view of a bra according to the design; FIG. 2 is a rear view thereof; FIG. 3 is a right side view thereof; FIG. 4 is a left side view thereof; FIG. 5 is a front perspective view thereof; FIG. 6 is a rear perspective view thereof; and, FIG. 7 is a reduced rear view thereof shown in an environment of use.

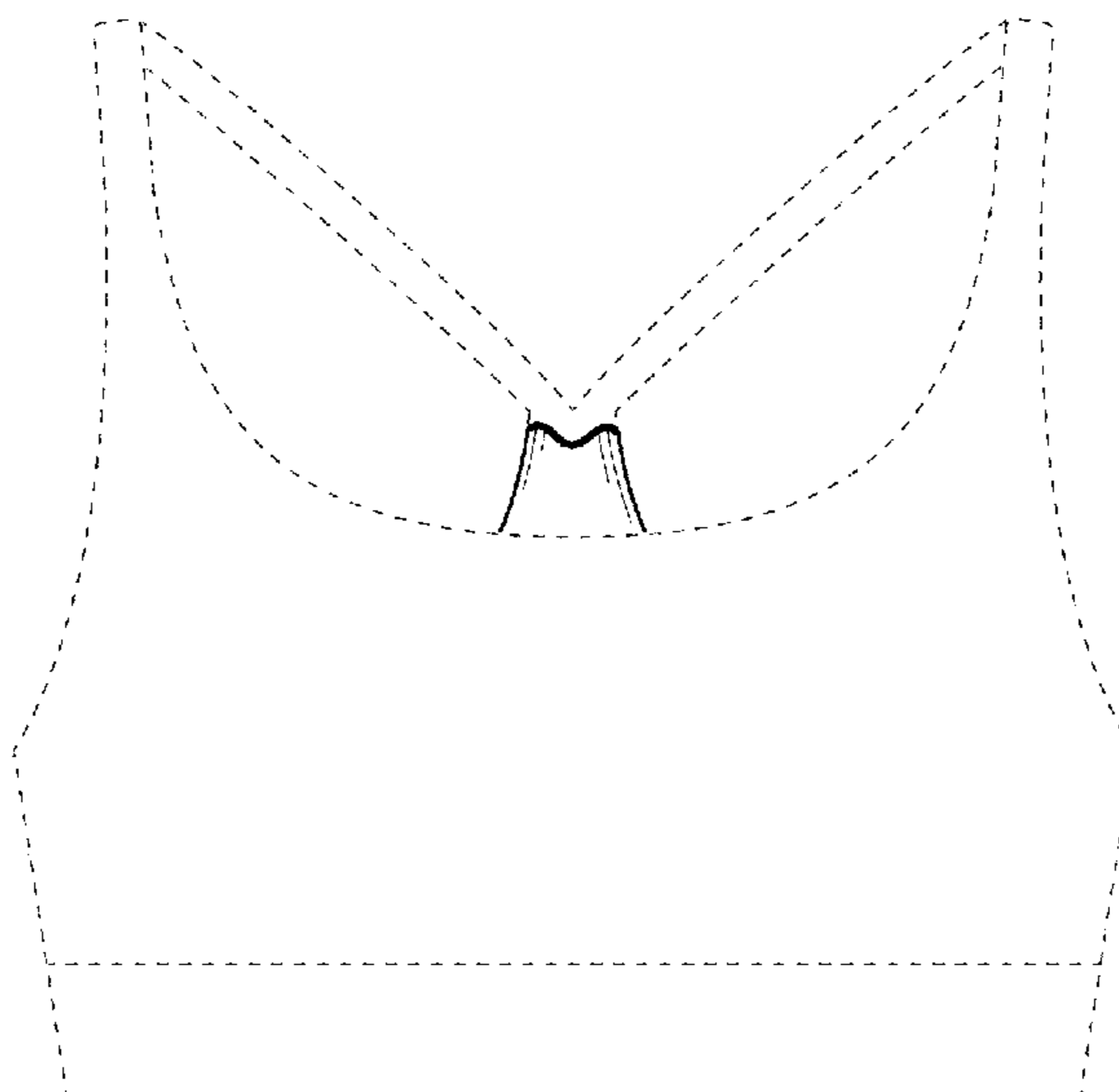
The portions of the bra shown in broken lines in FIGS. 1-7 do not form part of the claimed design. The broken line showing of the arms, torso, neck, and head in FIG. 7 is for the purpose of illustrating portions of the environmental structure and forms no part of the claimed design. The bold, wavy lines shown below the straps on the back and at the sides of the bra in FIGS. 1-7 are for illustrating the boundary of the design only and do not form part of the claimed design. The crosshatched lines shown on the back of the bra in FIGS. 2-7 represent a transparent, translucent, or see-through mesh or sheer fabric only and do not represent any particular colour, material, texture, pattern, or finish of mesh or sheer fabric.

1 Claim, 7 Drawing Sheets

(56) **References Cited**

U.S. PATENT DOCUMENTS

D641,129 S * 7/2011 Zarabi D2/703
D641,133 S * 7/2011 Zarabi D2/708
D671,296 S * 11/2012 Iamartino D2/708
D708,820 S * 7/2014 Iamartino D2/708
9,210,955 B2 * 12/2015 Dandapure A41C 3/00
D786,531 S * 5/2017 Holmes D2/706
D789,653 S * 6/2017 Robertson D2/706
D800,992 S * 10/2017 Flower D2/708
D805,730 S * 12/2017 Loret D2/706
D811,040 S * 2/2018 Pornillos D2/706
D818,240 S * 5/2018 Hanazawa D2/706
D821,703 S * 7/2018 Flower D2/708



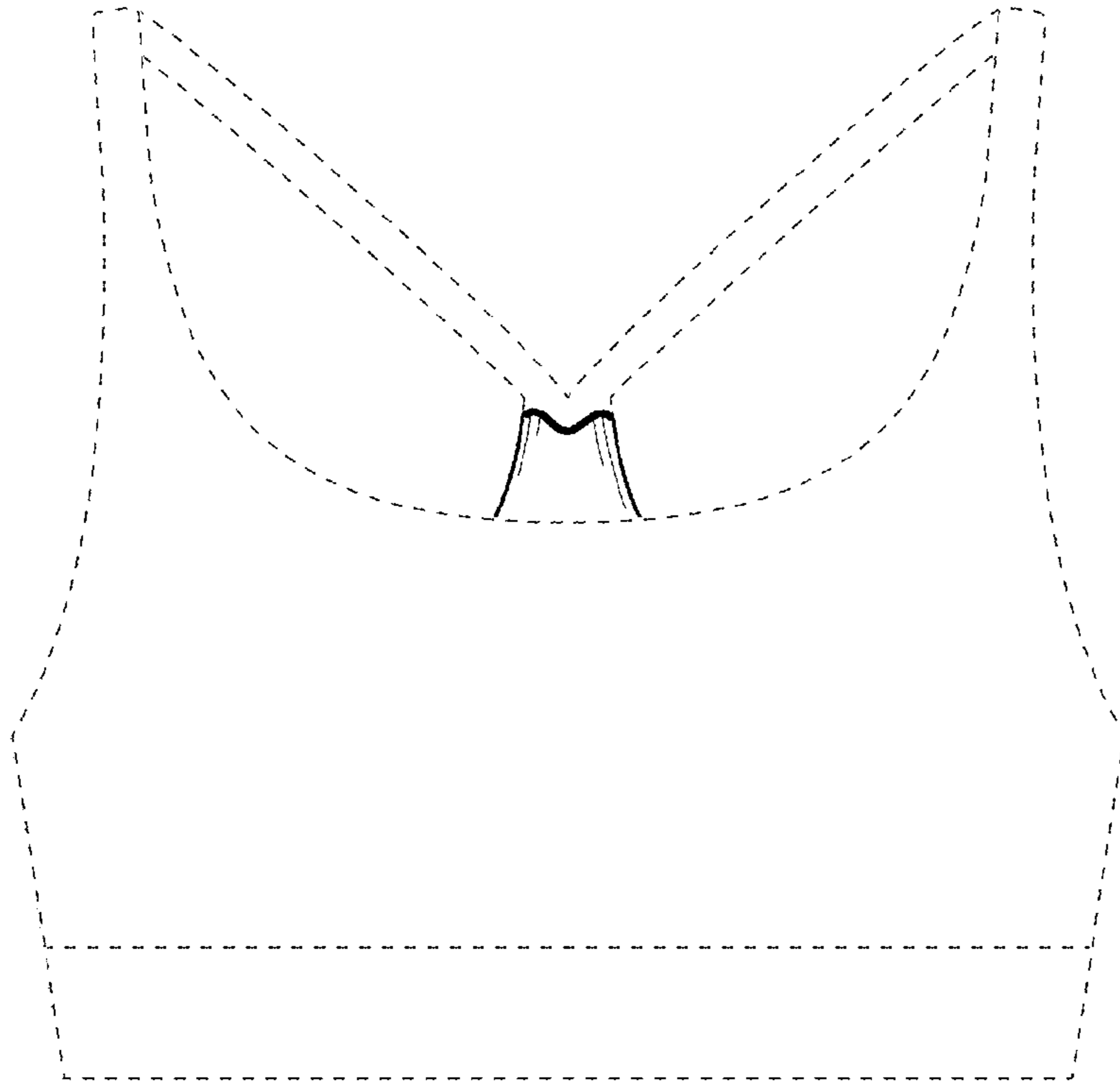


FIG. 1

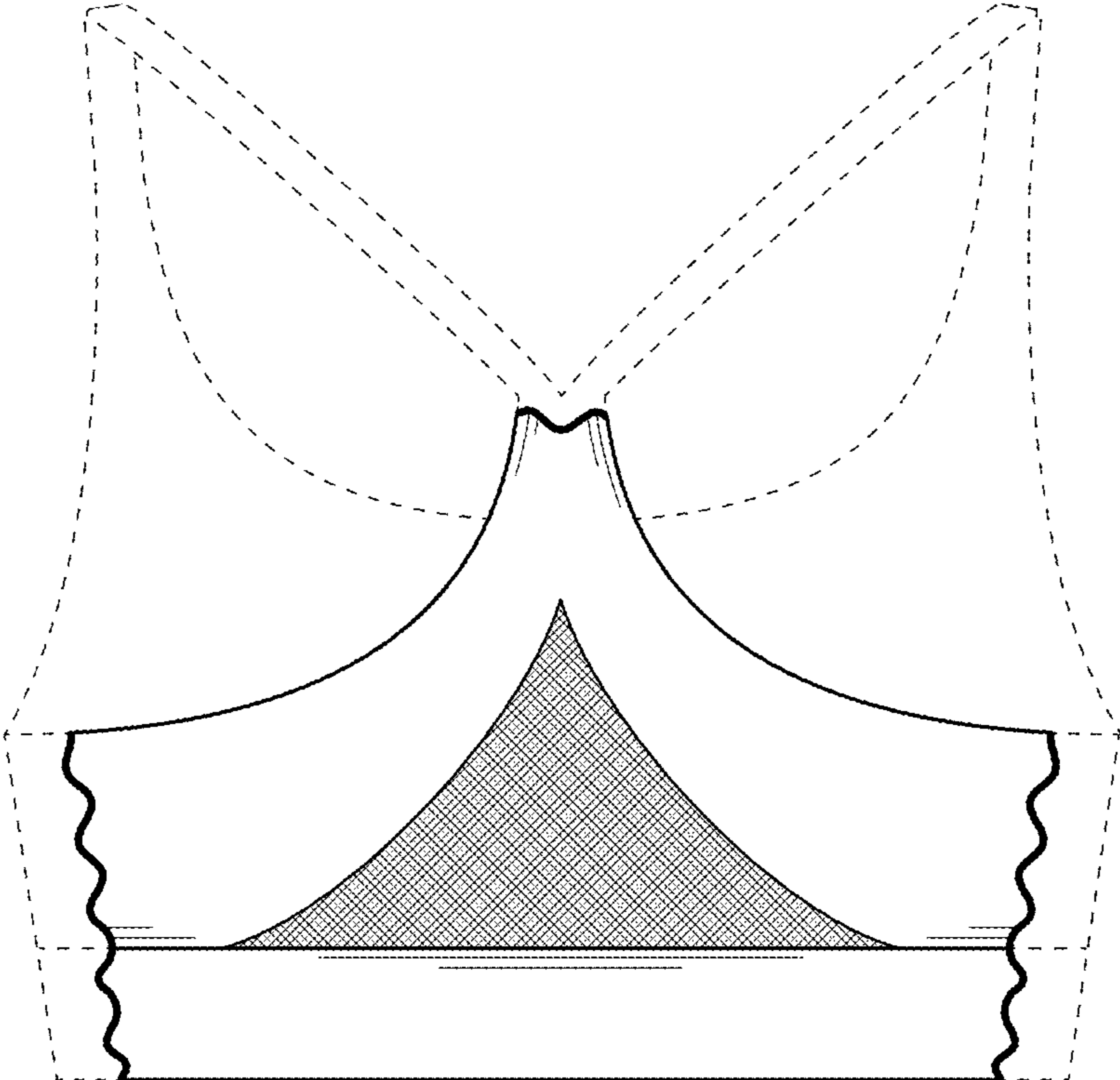


FIG. 2

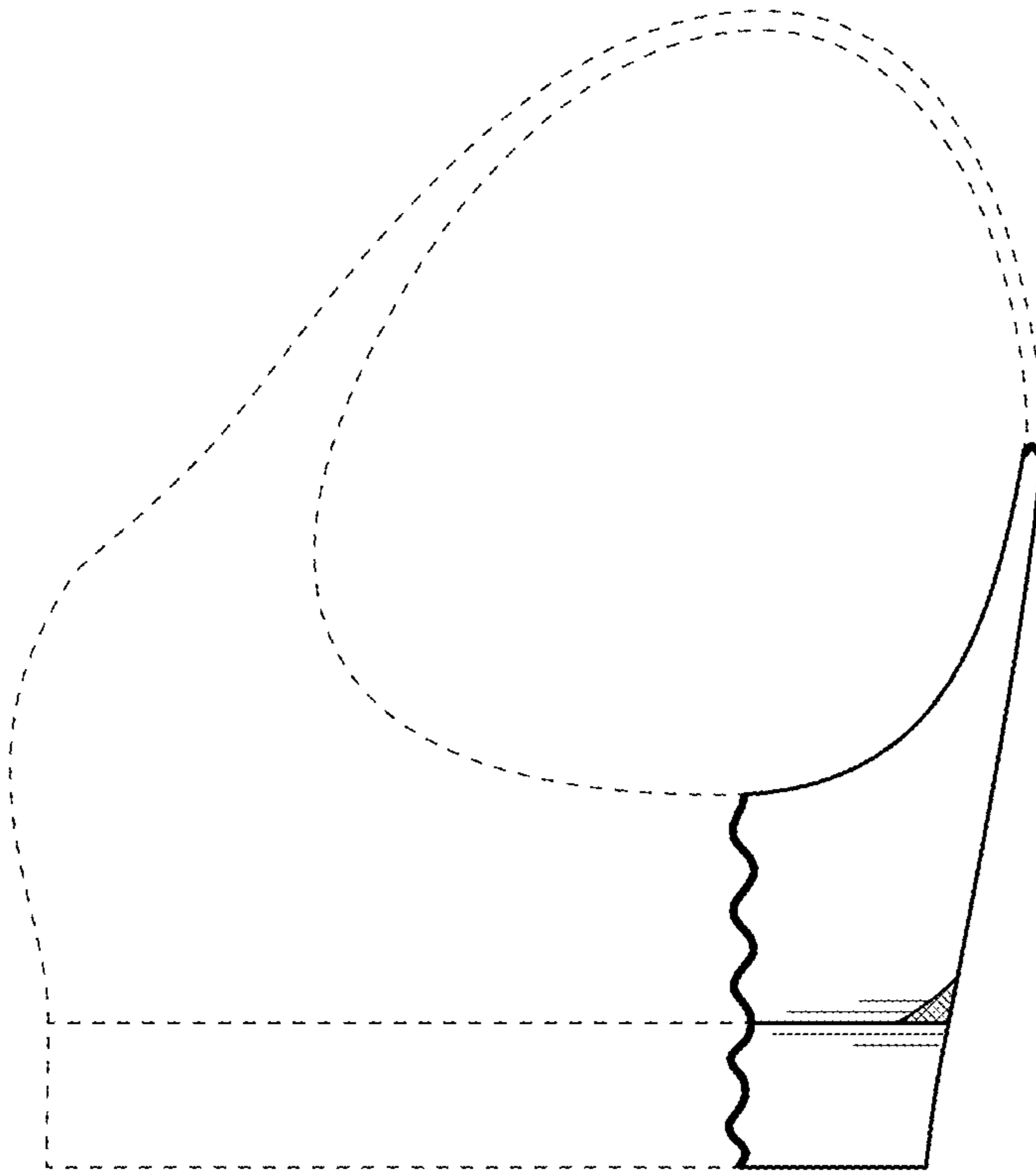


FIG. 3

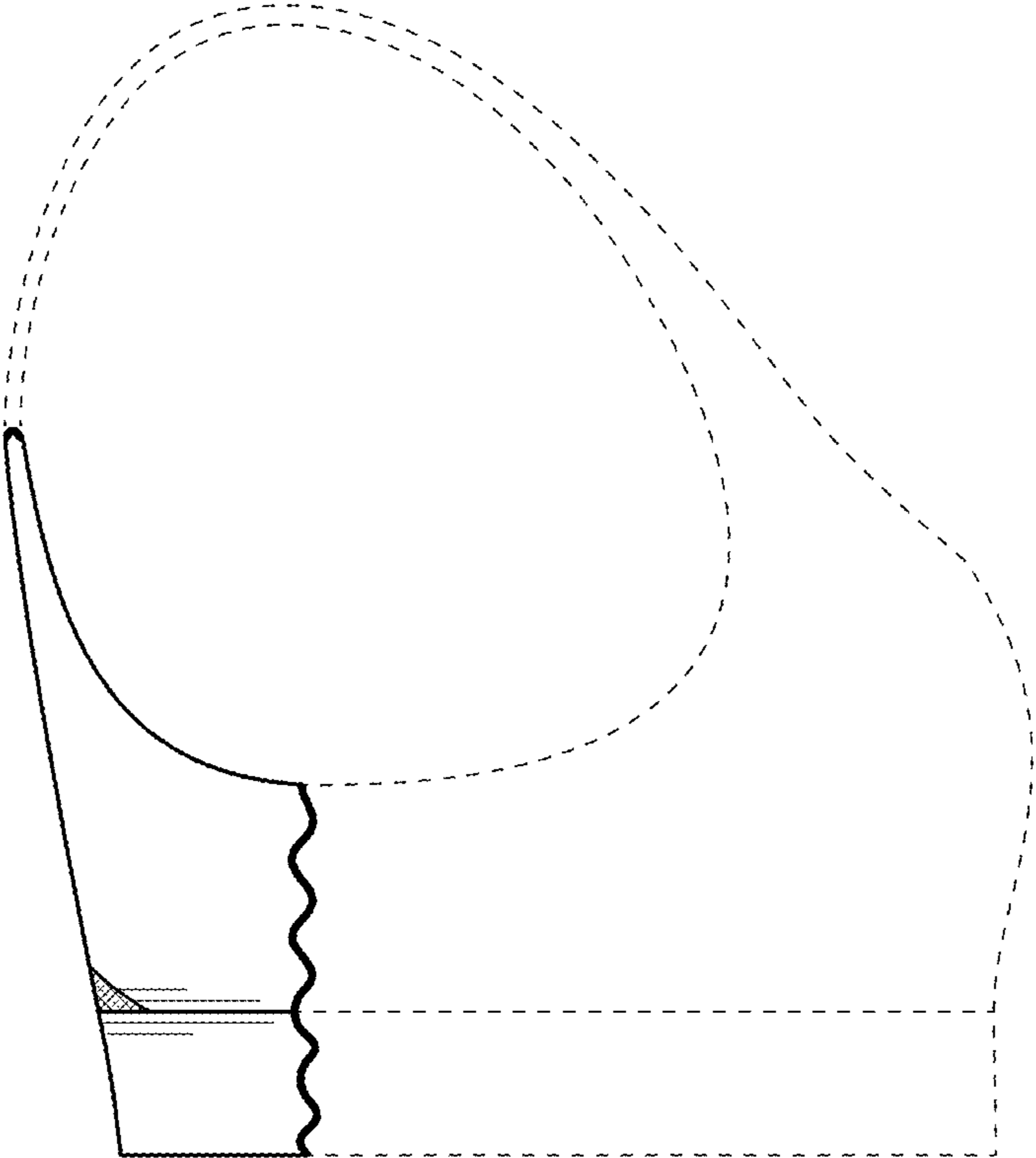


FIG. 4

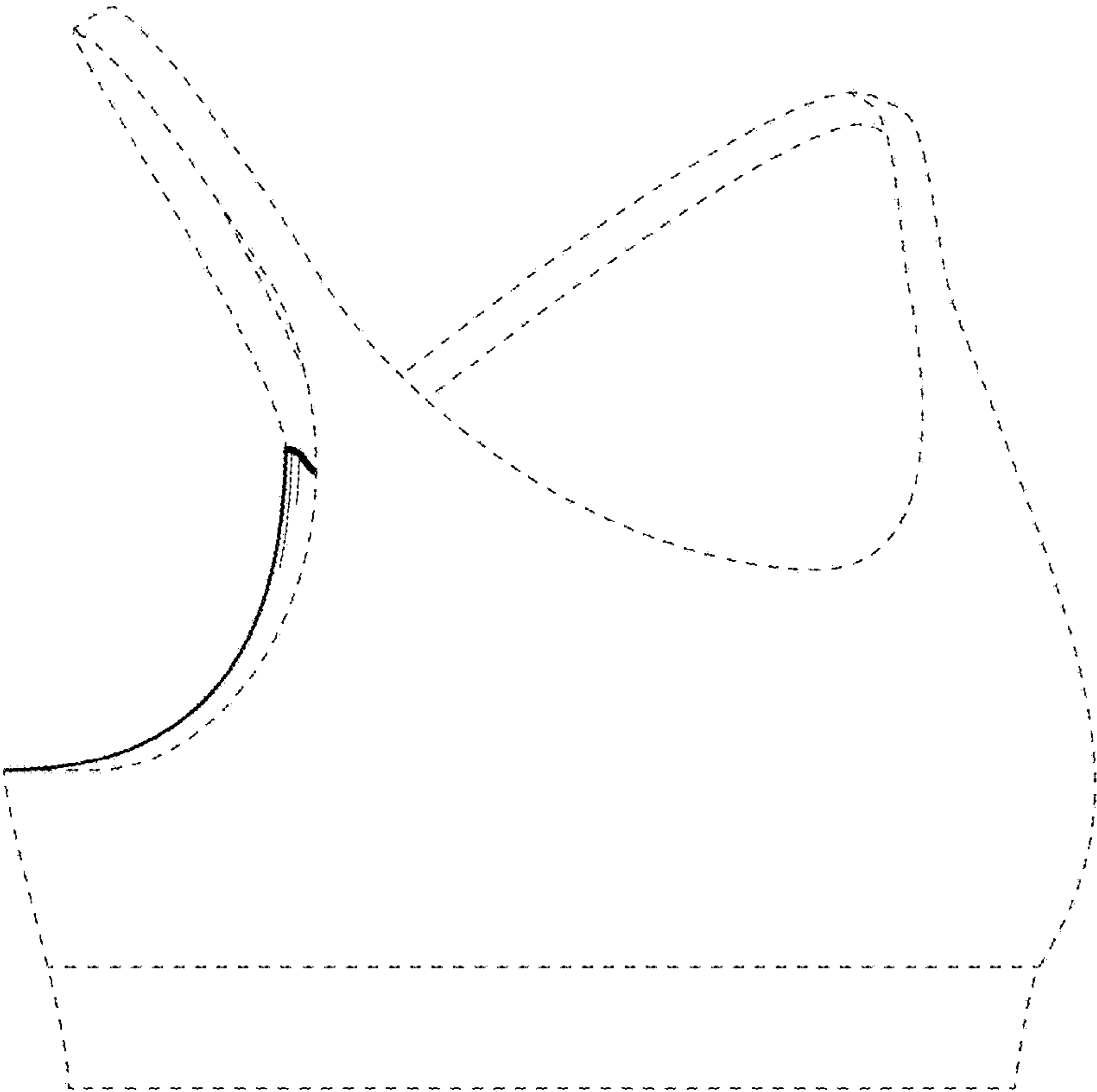


FIG. 5

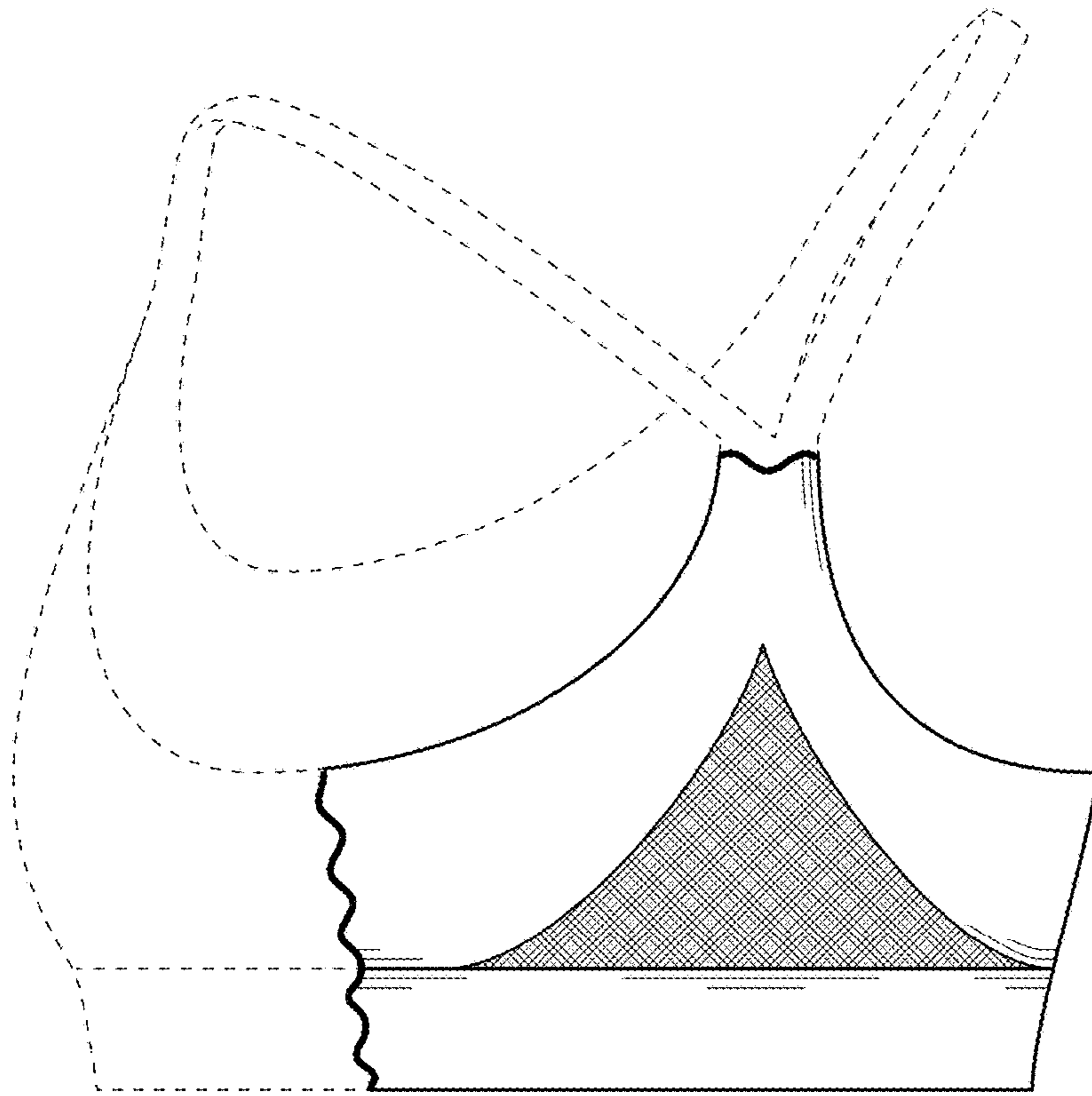


FIG. 6

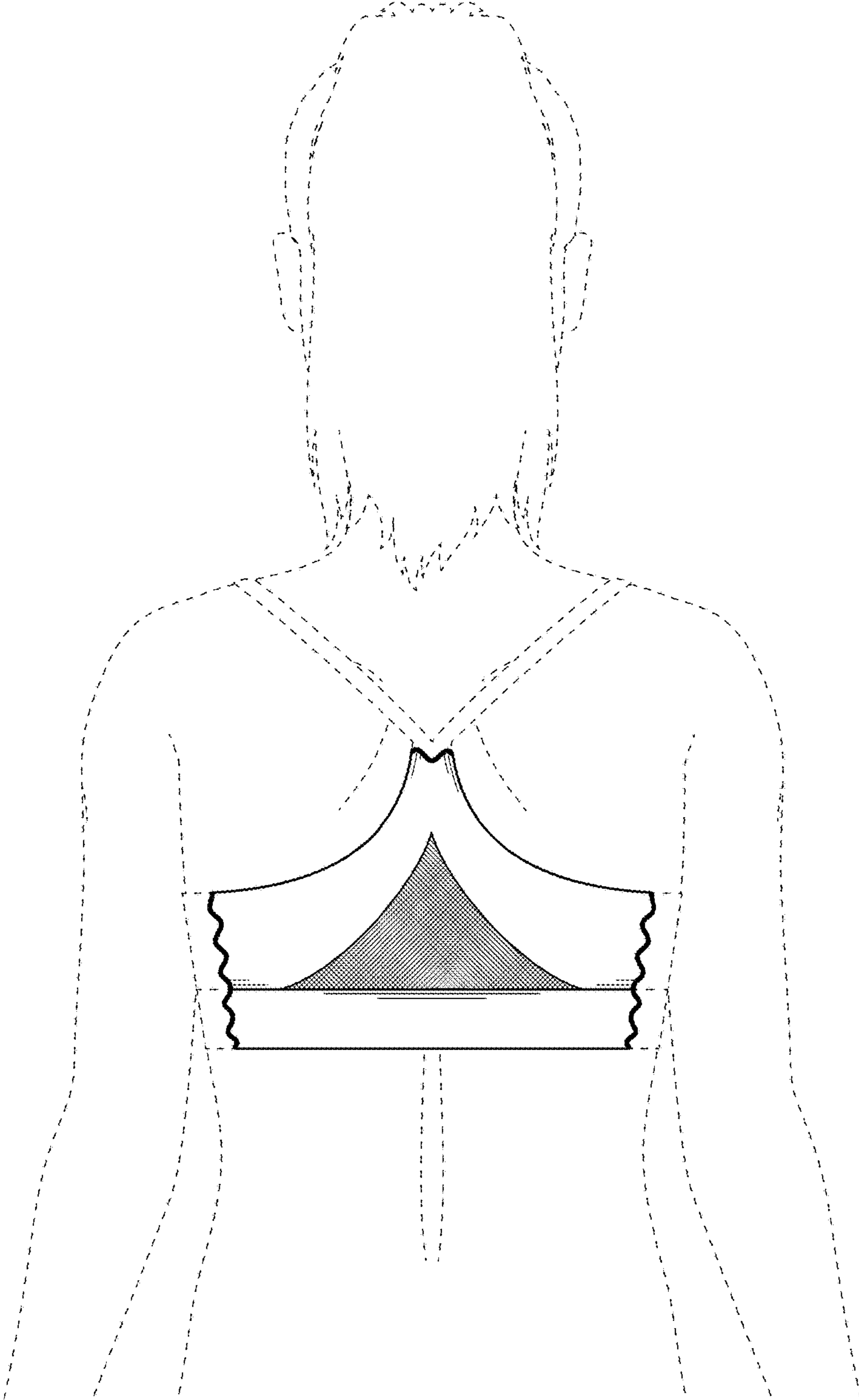


FIG. 7