



US00D835881S

(12) **United States Design Patent** (10) **Patent No.:** **US D835,881 S**
Colquhoun et al. (45) **Date of Patent:** **** Dec. 18, 2018**

(54) **FOOD PRODUCT**

(71) Applicant: **Mars, Incorporated**, McLean, VA (US)

(72) Inventors: **Duncan Colquhoun**, Bath (GB); **John Macdonald**, Bath (GB); **Matthew Wright**, Bath (GB)

(73) Assignee: **Mars, Incorporated**, McLean, VA (US)

(**) Term: **15 Years**

(21) Appl. No.: **29/587,473**

(22) Filed: **Dec. 13, 2016**

(51) **LOC (11) Cl.** **01-01**

(52) **U.S. Cl.**
USPC **D1/199**

(58) **Field of Classification Search**

USPC D1/100-130, 199; 426/104, 108, 138,
426/391, 549, 808, 94, 143, 559, 560;
D24/101-104; D28/8.1, 63, 56, 57;
D6/601; D32/40, 43; D9/707, 756;
D30/160
CPC A23G 3/50; A23G 3/54; A23J 3/26; A23L
1/0067

See application file for complete search history.

(56) **References Cited**

U.S. PATENT DOCUMENTS

D9,717 S 1/1877 Worsley
268,407 A * 12/1882 Hughes A61B 17/132
606/203
D28,864 S * 6/1898 Baker D25/121
D159,662 S * 8/1950 Patek 132/73
2,517,232 A * 8/1950 Patulski A45D 29/22
132/73
D223,326 S 4/1972 Duvall et al.
D224,077 S * 7/1972 Duvall D1/199
D226,595 S * 4/1973 Caunes D1/121
D228,320 S 9/1973 Forbes et al.
D393,931 S * 4/1998 Rue D28/57

(Continued)

OTHER PUBLICATIONS

“Toe Divider.” Canonbury. Jul. 8, 2016. Web. Dec. 11, 2017.
<<https://www.canonbury.com/index.php/soles-and-supports/toe-appliances-foam/toe-divider-pair.html>>.*

Primary Examiner — Katie Jane Stofko

(74) *Attorney, Agent, or Firm* — Greenberg Traurig, LLP

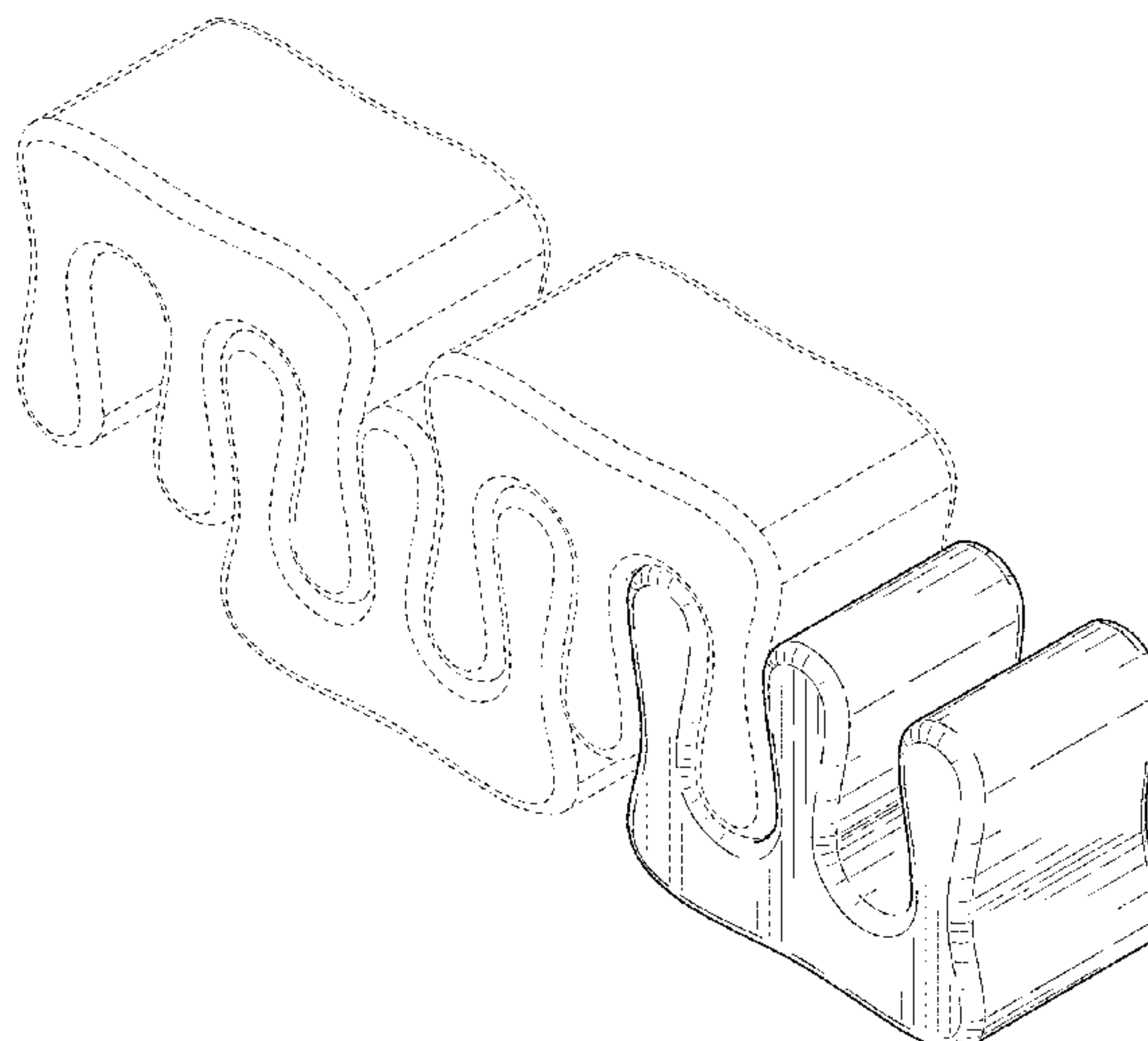
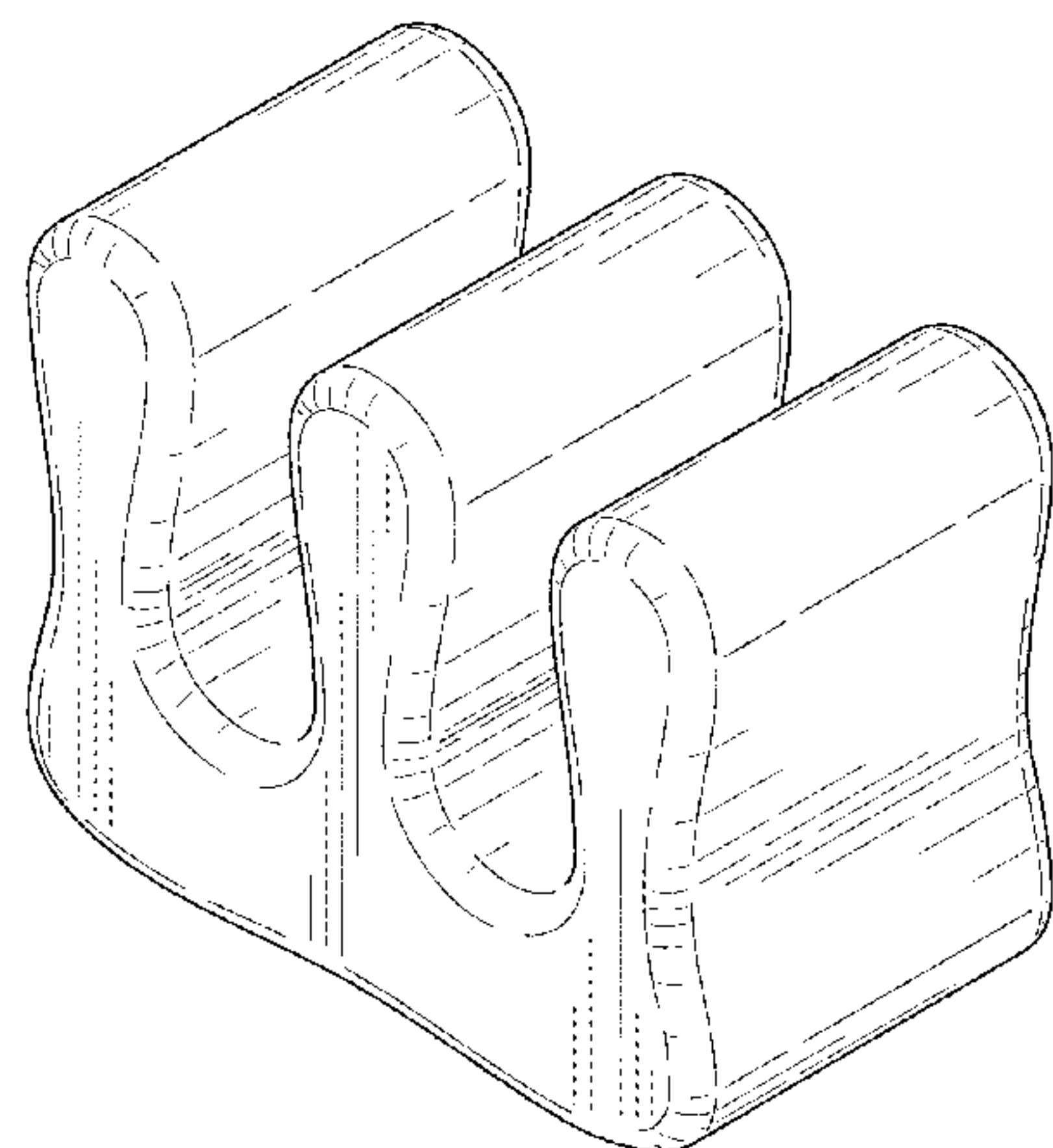
(57) **CLAIM**

The ornamental design for a food product, as shown and described.

DESCRIPTION

FIG. 1 is a front, right, top perspective view of a food product showing my new design;
FIG. 2 is a front elevation view thereof;
FIG. 3 is a rear elevation view thereof;
FIG. 4 is a left side elevation view thereof;
FIG. 5 is a right side elevation view thereof;
FIG. 6 is a top plan view thereof;
FIG. 7 is a bottom plan view thereof;
FIG. 8 is another front, right, top perspective view thereof, shown in an environment of use;
FIG. 9 is a front elevation view thereof, shown in an environment of use;
FIG. 10 is a rear elevation view thereof, shown in an environment of use;
FIG. 11 is a left side elevation view thereof, shown in an environment of use;
FIG. 12 is a right side elevation view thereof, shown in an environment of use;
FIG. 13 is a top plan view thereof, shown in an environment of use; and,
FIG. 14 is a bottom plan view thereof, shown in an environment of use.
The broken lines in FIGS. 8-14 illustrate the environment of the claimed design and form no part thereof.

1 Claim, 7 Drawing Sheets



(56)

References Cited

U.S. PATENT DOCUMENTS

D397,536	S	9/1998	Rodriguez, Jr.	
D398,395	S	9/1998	Titley	
D416,373	S	* 11/1999	Doyle	D1/125
D416,662	S	* 11/1999	Doyle	D1/125
D439,704	S	* 3/2001	Ikeda	D28/57
D470,197	S	2/2003	Manville et al.	
D503,771	S	4/2005	Costa et al.	
D515,775	S	* 2/2006	Harrington	D1/125
D524,947	S	* 7/2006	Gleason	D24/213
D535,751	S	* 1/2007	Lifeng	D24/200
D540,007	S	4/2007	Edwards	
D582,630	S	12/2008	Bhaskar et al.	
D585,627	S	2/2009	Wylie	
D632,013	S	* 2/2011	Irwin	D28/57
D704,829	S	* 5/2014	McAtamney	D24/128
D713,121	S	* 9/2014	Slusarczyk	D1/199
D749,209	S	* 2/2016	Uhlenkannp	D24/128
D768,353	S	* 10/2016	Niehues	D1/106

* cited by examiner

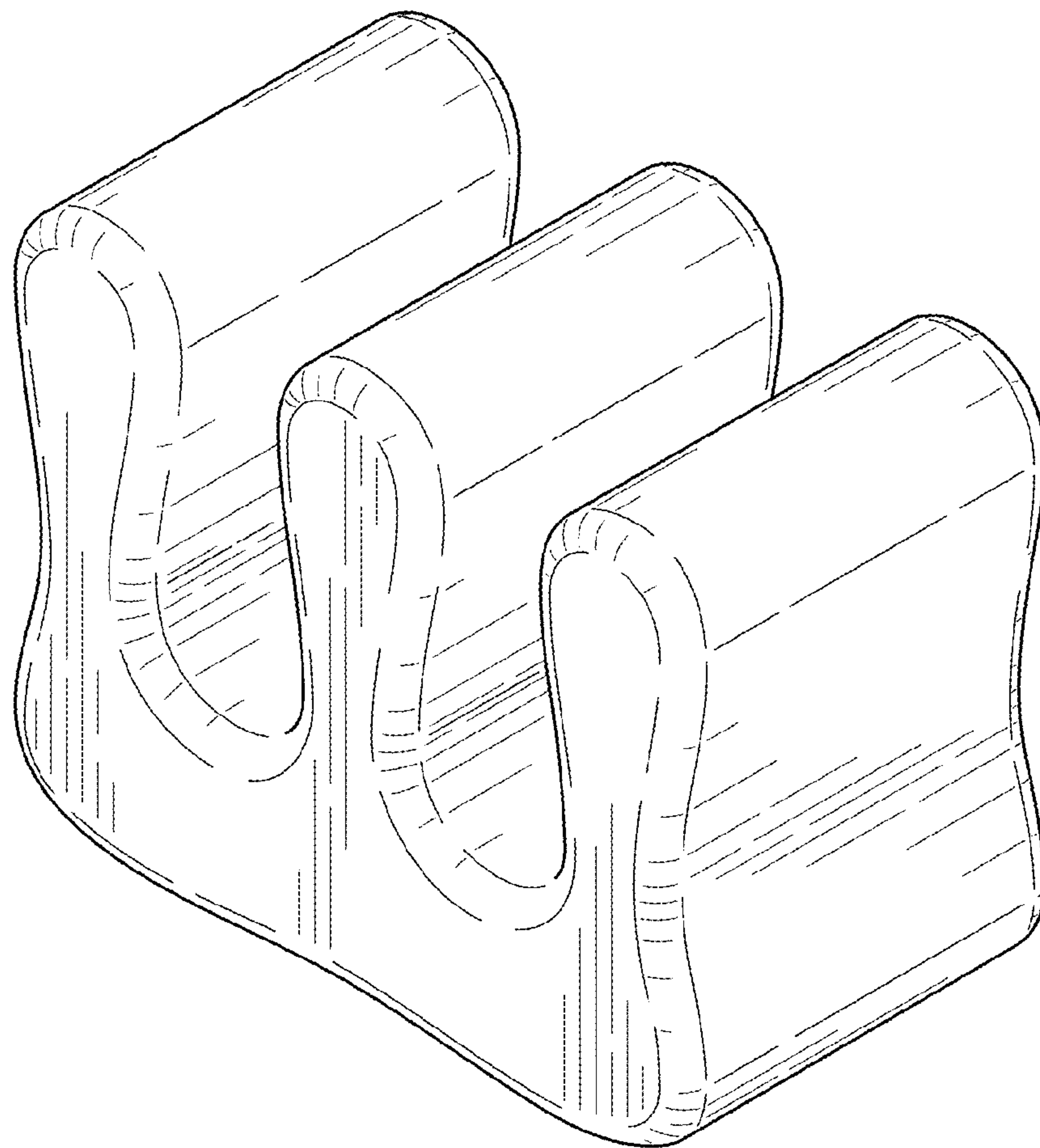


FIG. 1

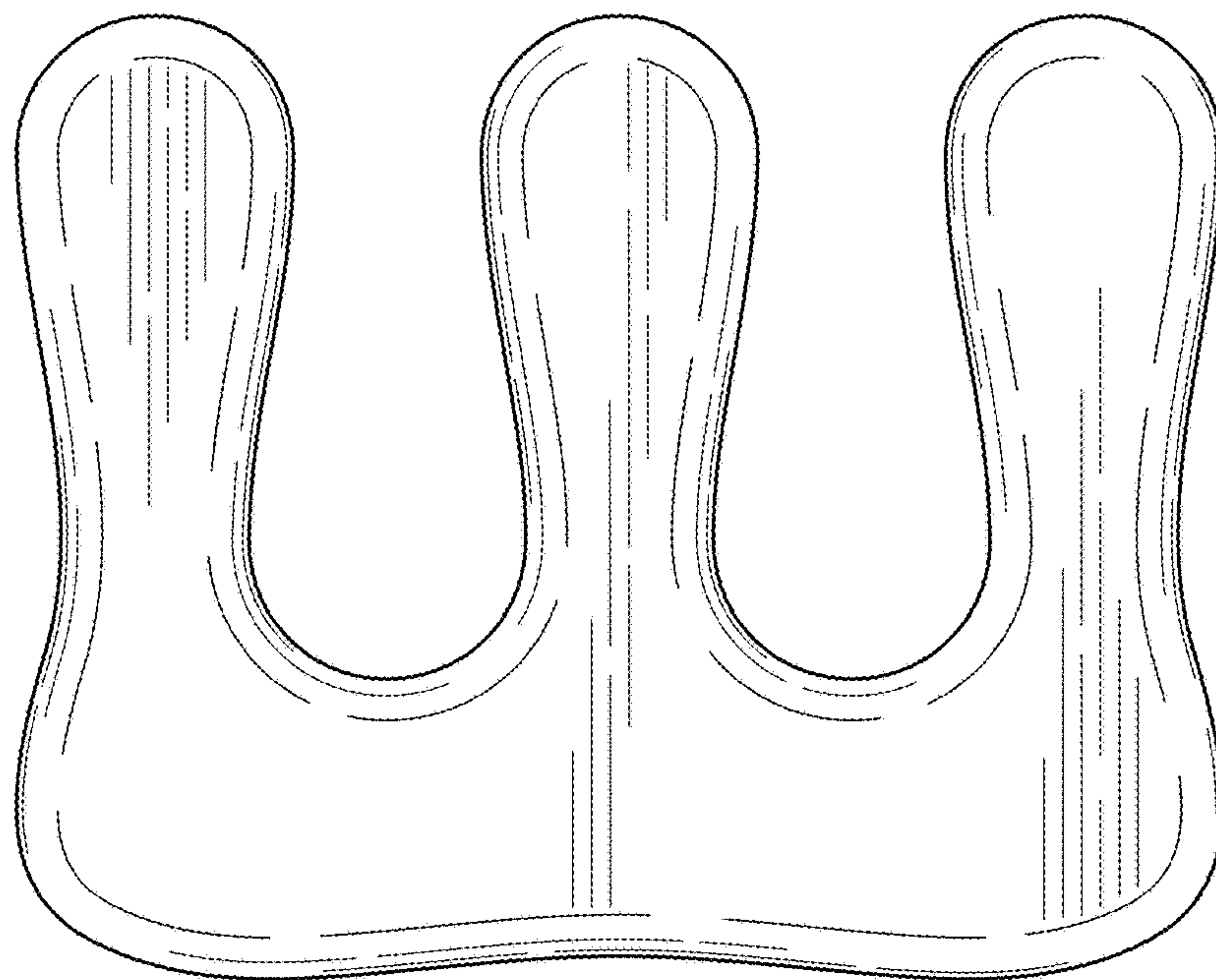


FIG. 2

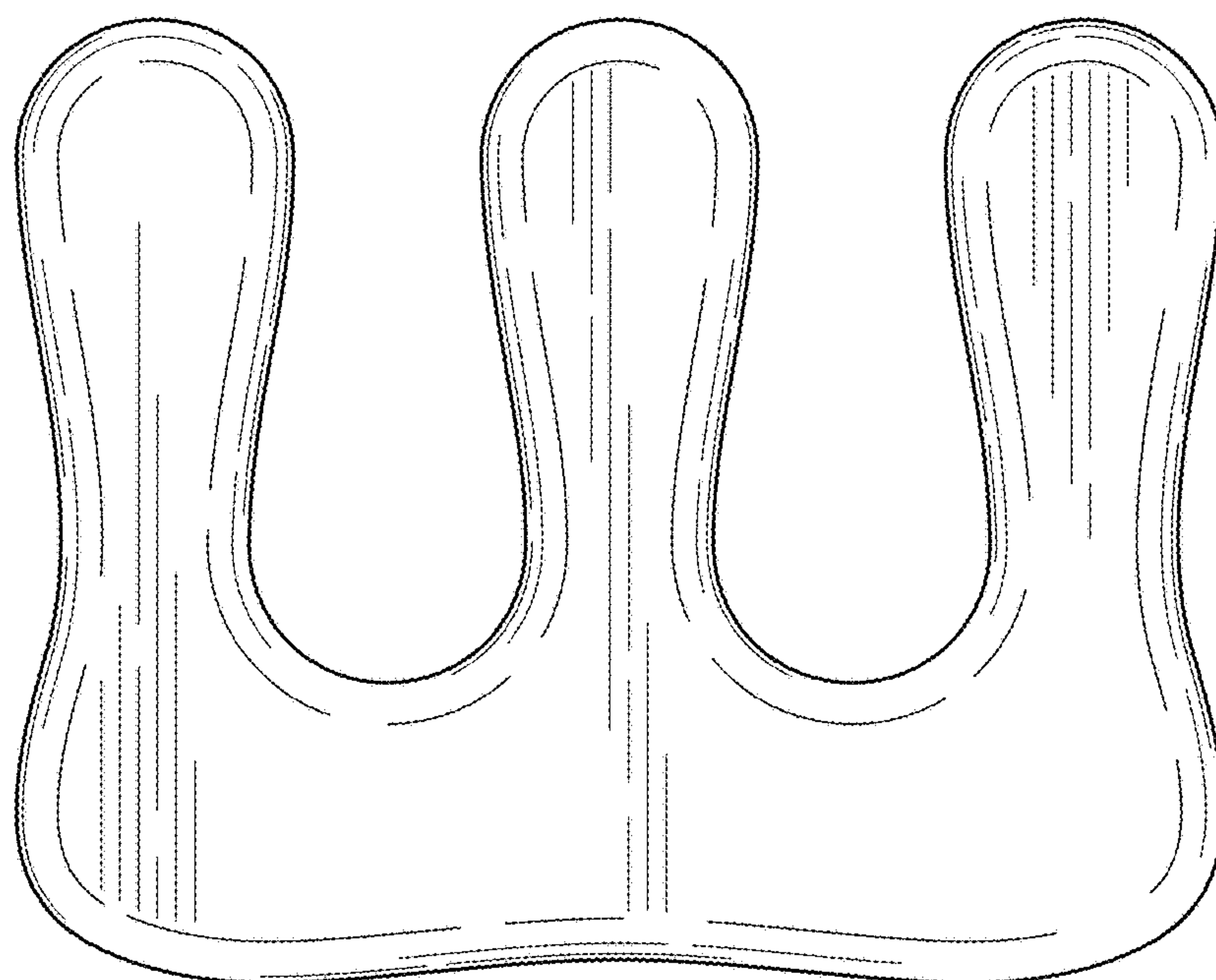


FIG. 3

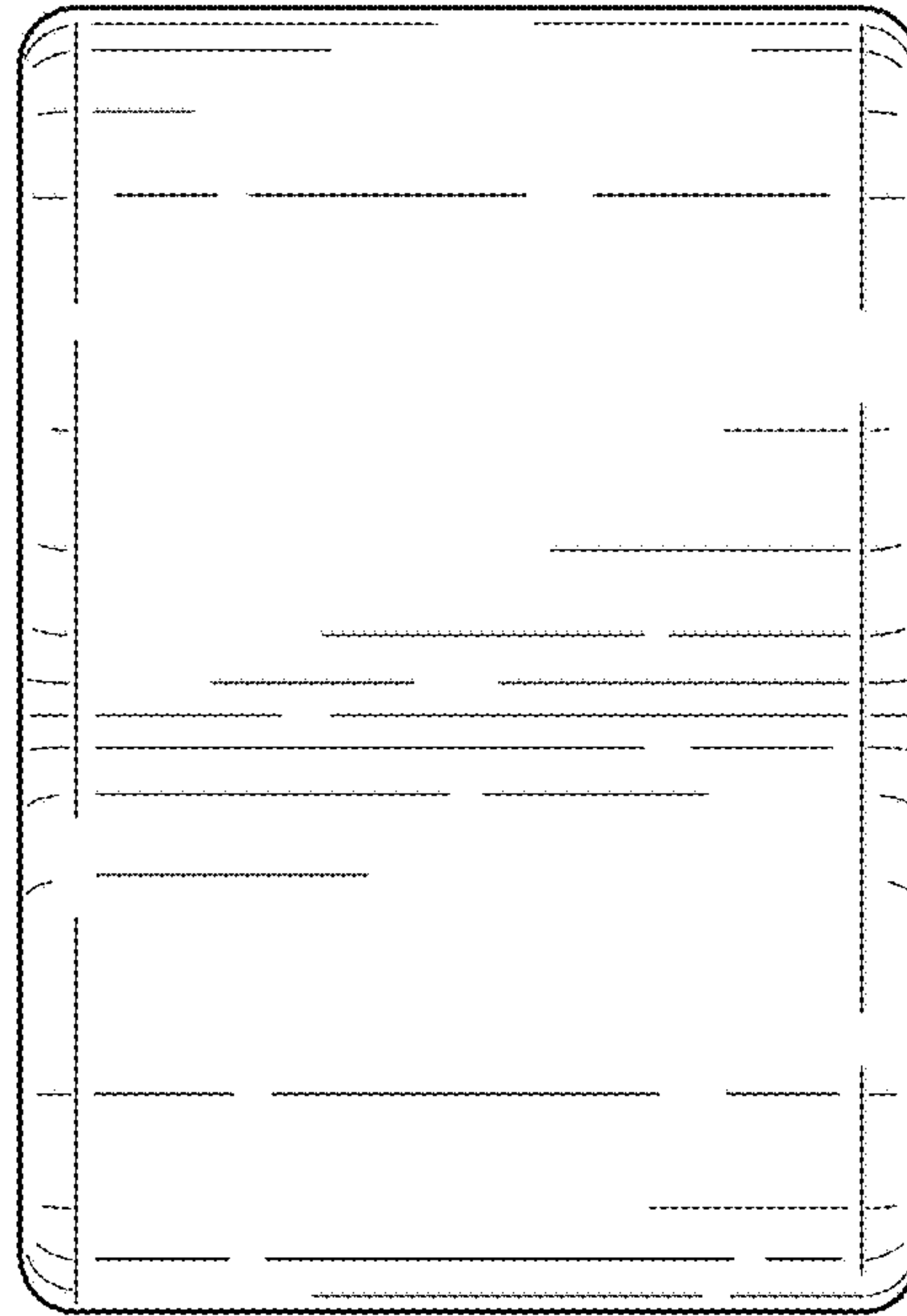


FIG. 4

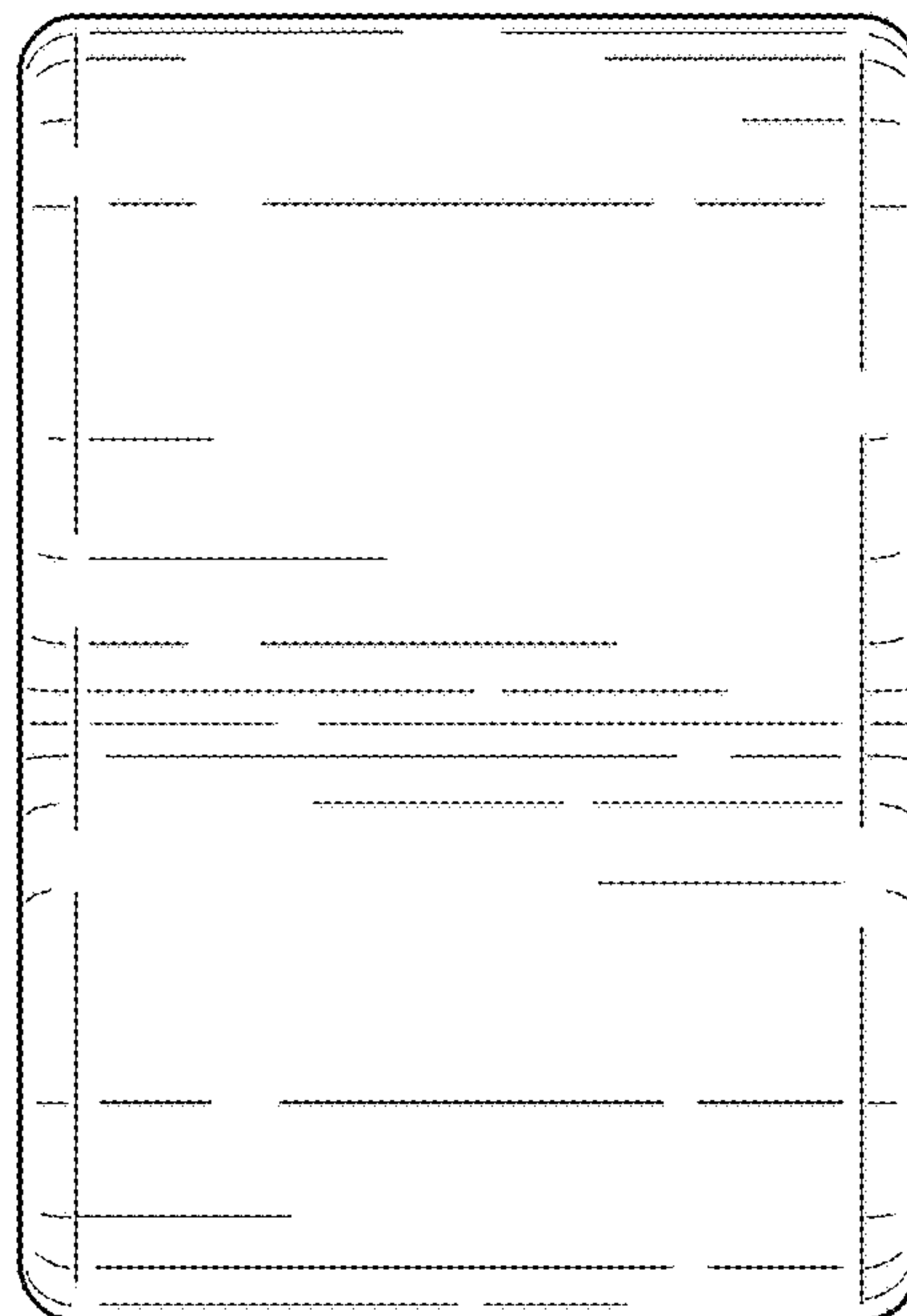


FIG. 5

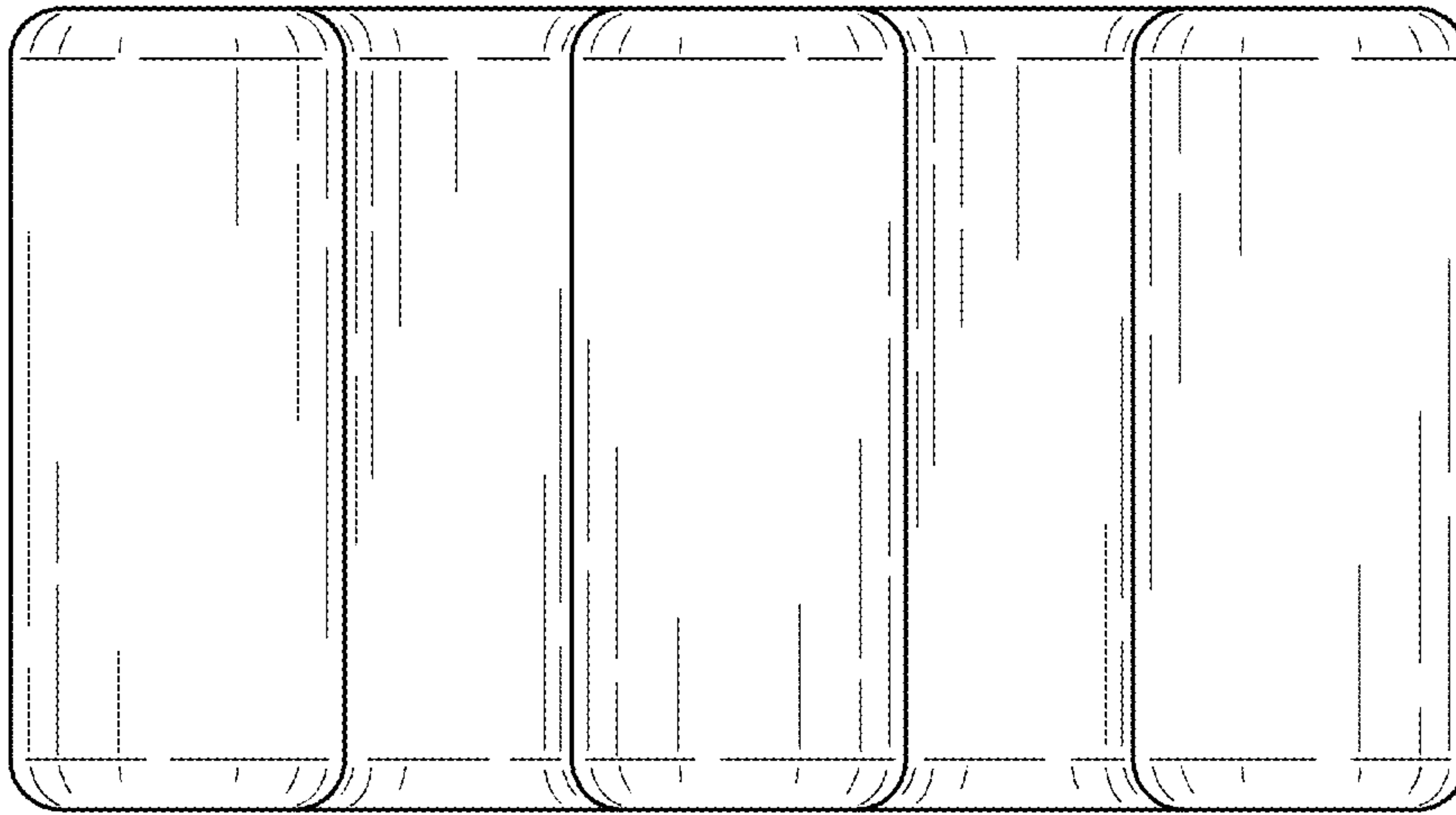


FIG. 6

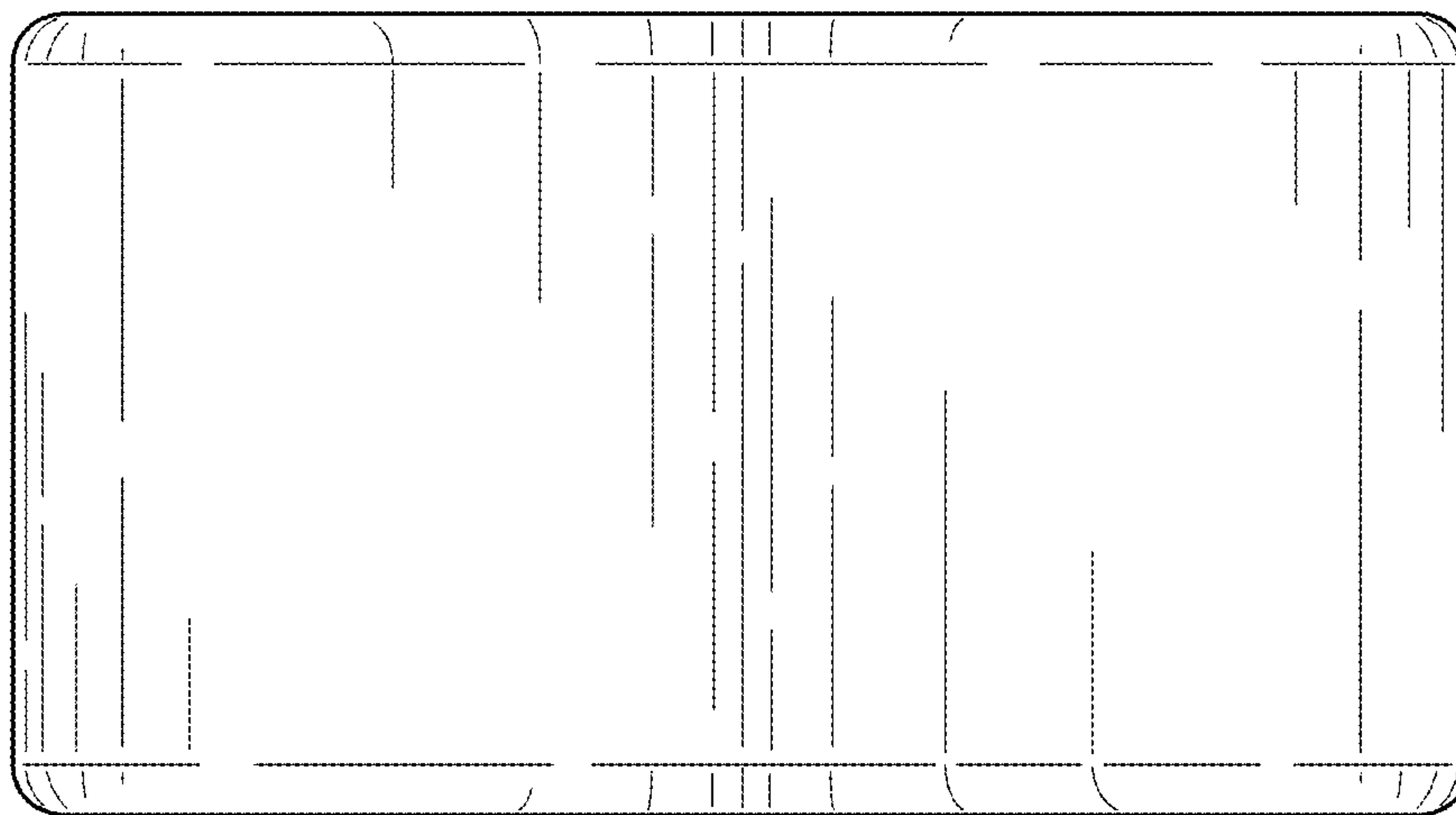


FIG. 7

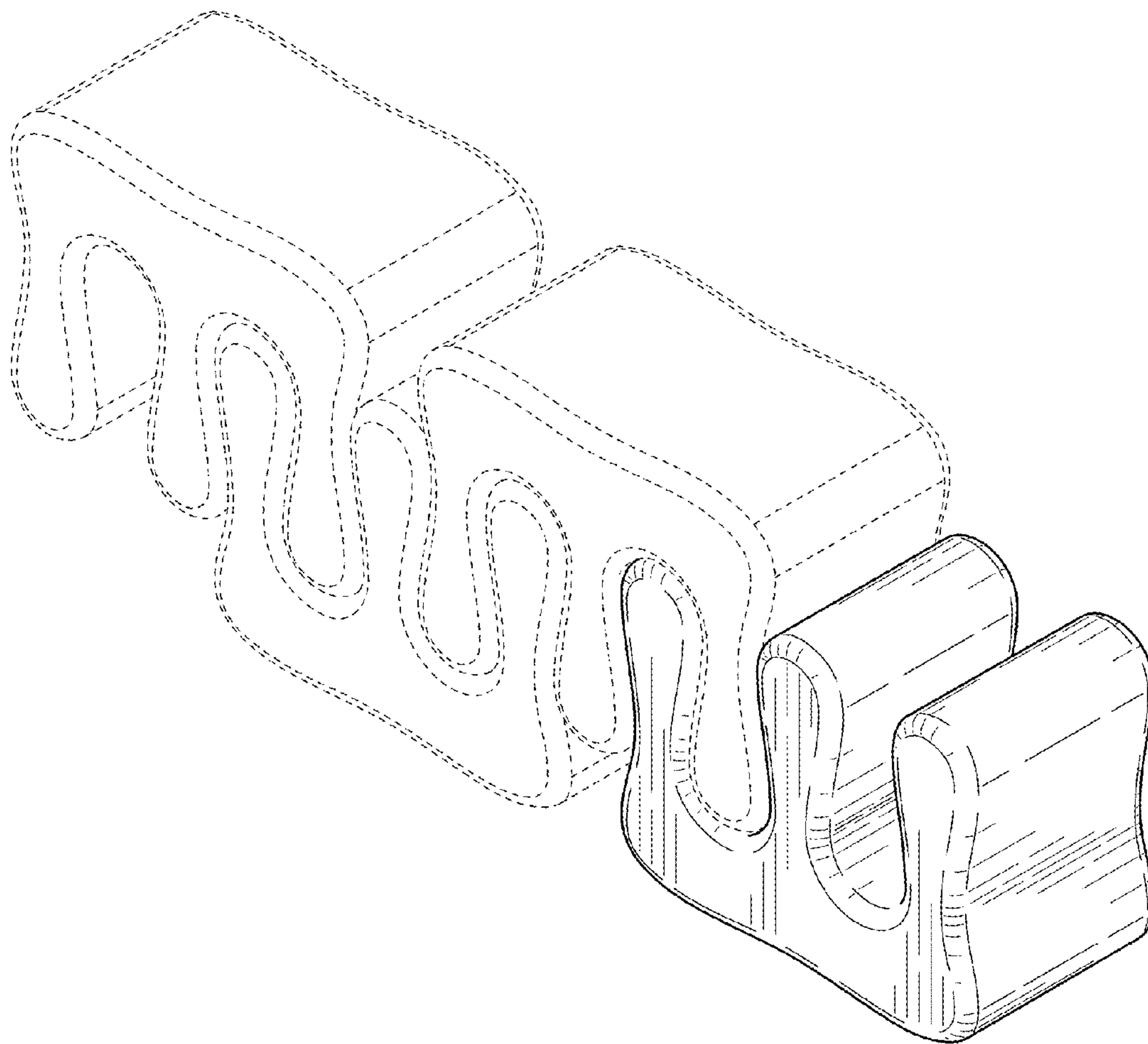


FIG. 8

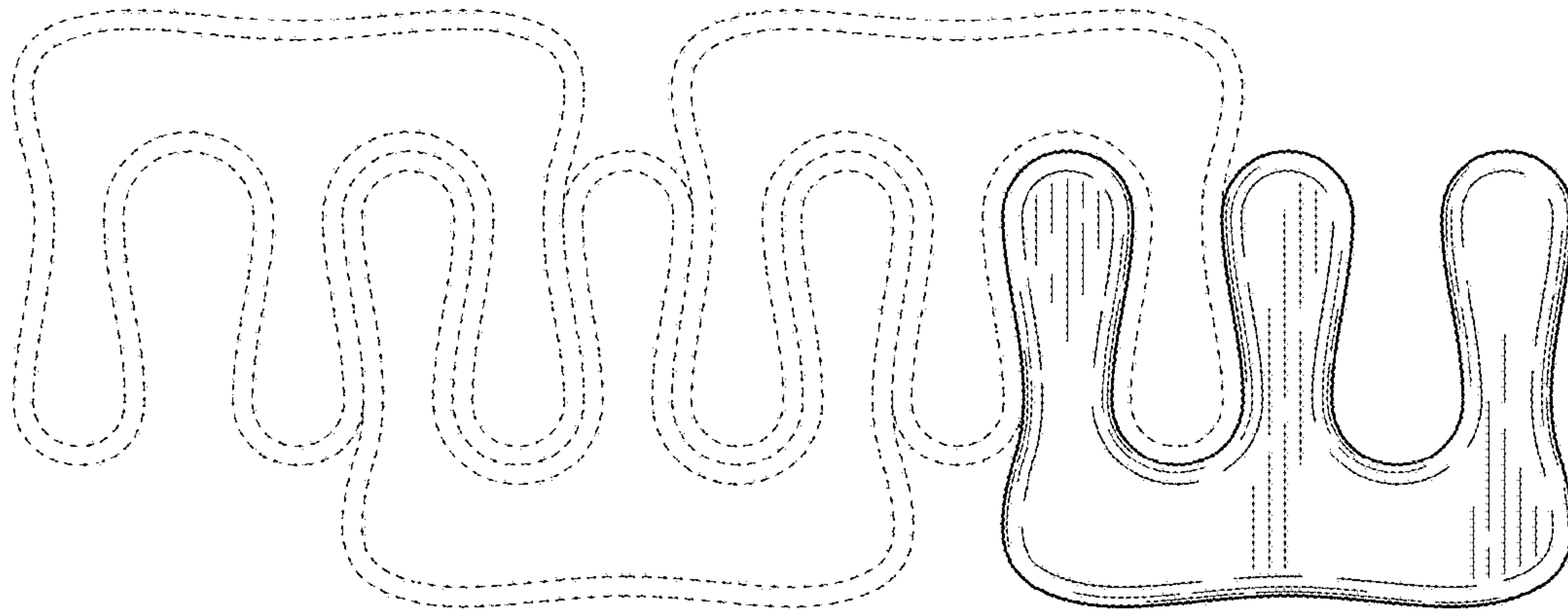


FIG. 9

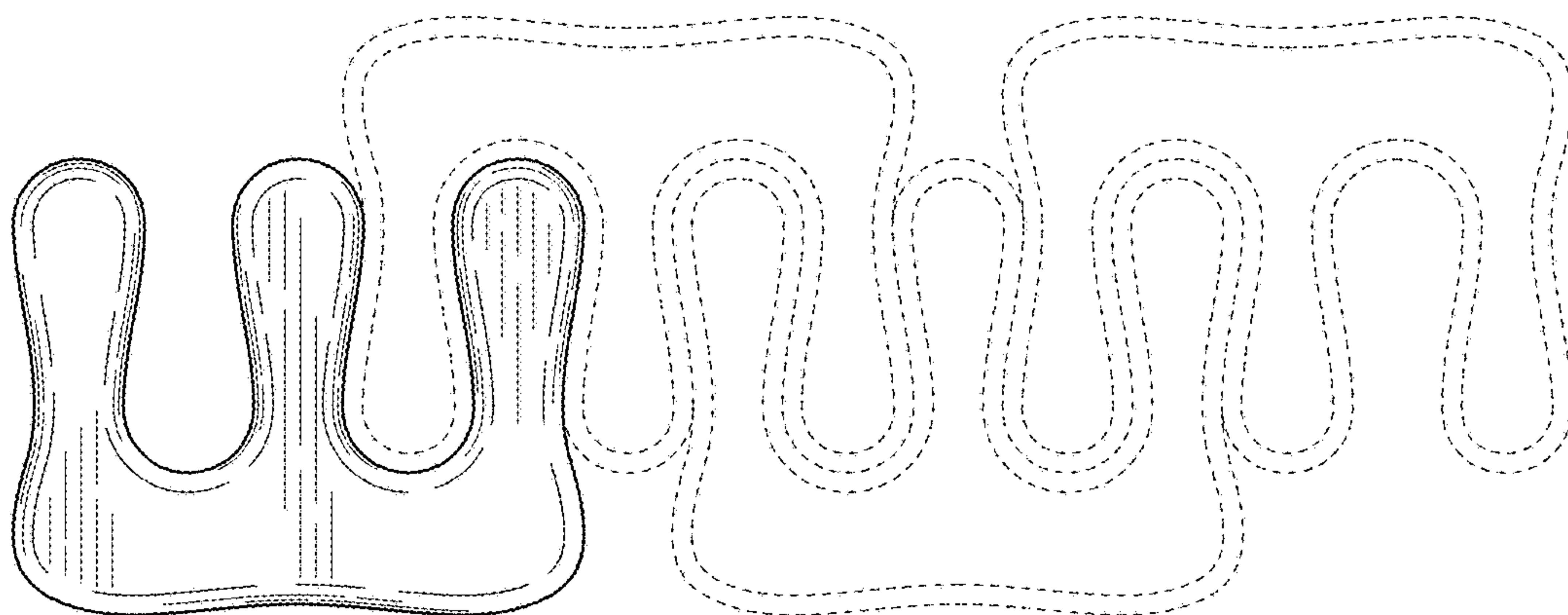


FIG. 10

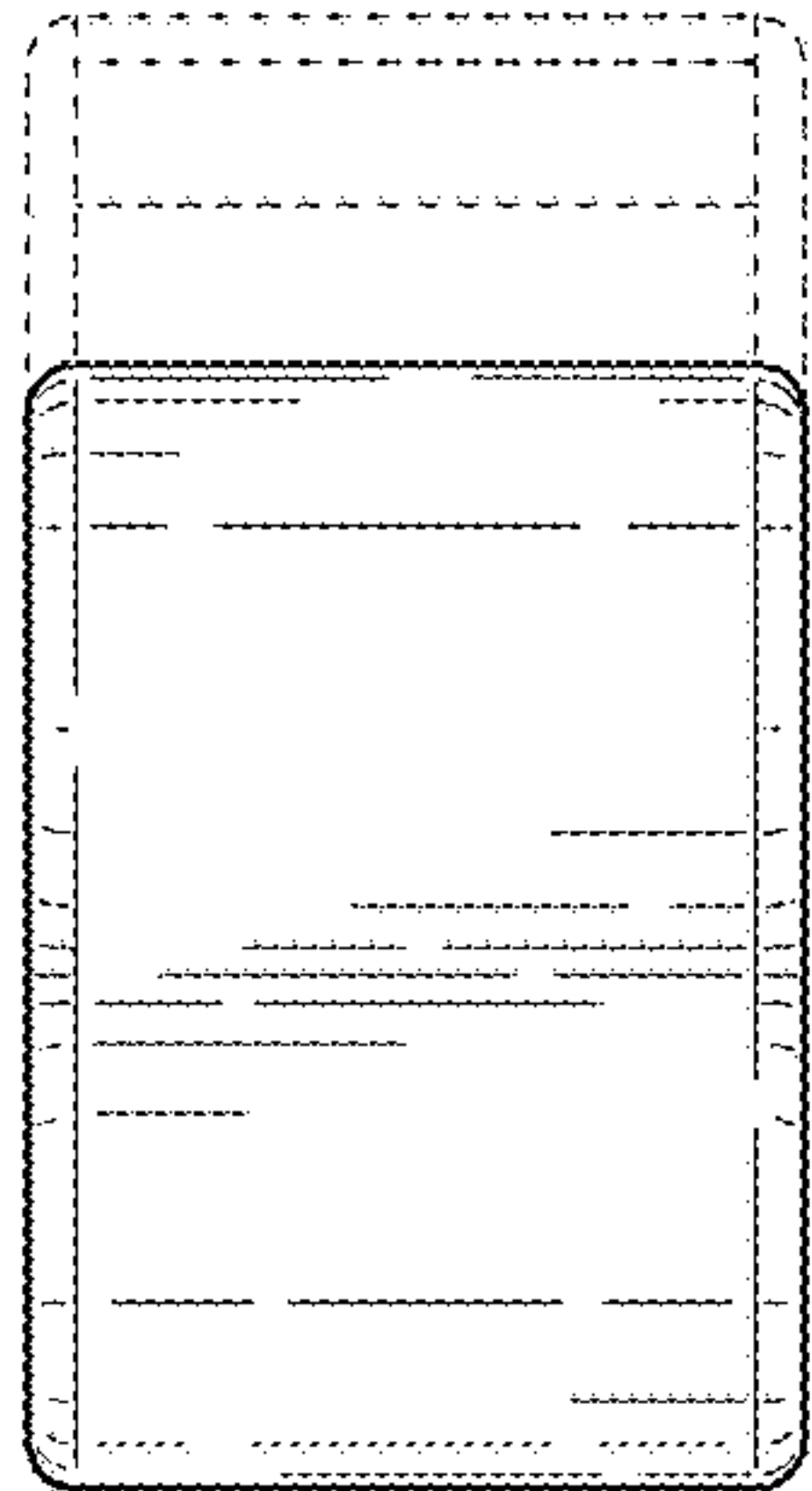


FIG. 11

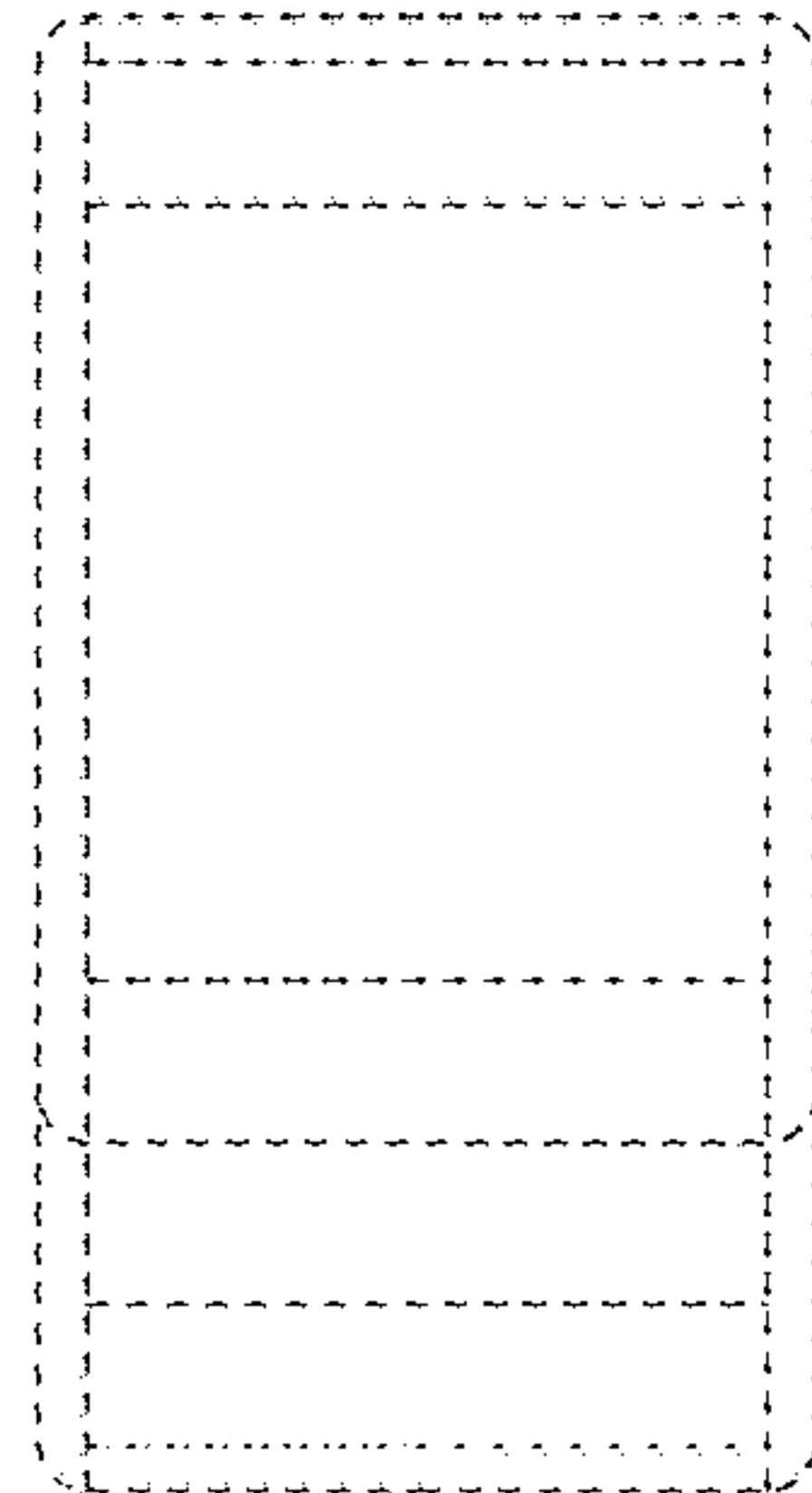


FIG. 12

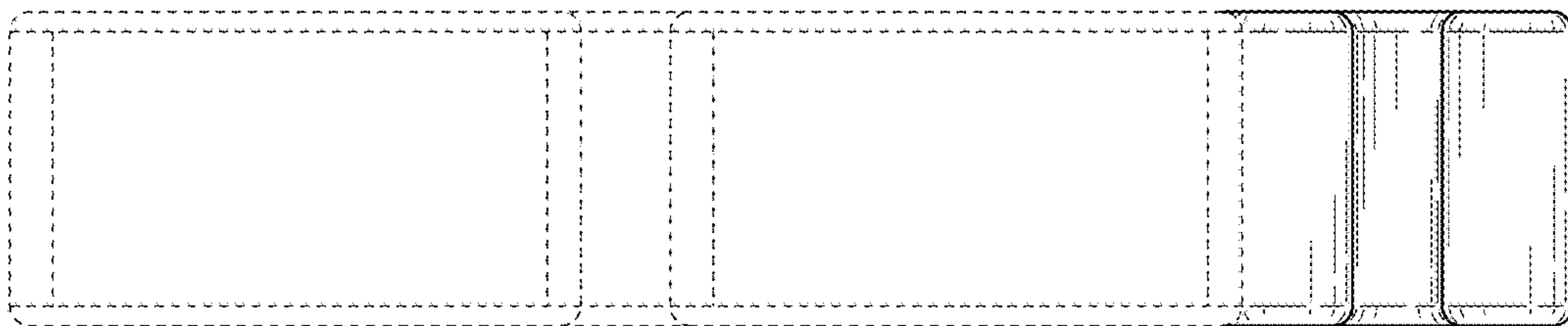


FIG. 13

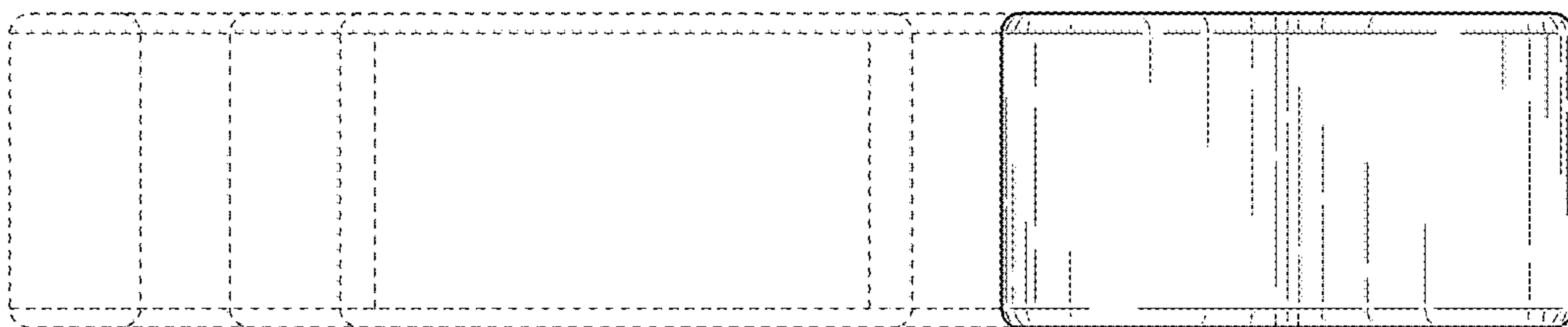


FIG. 14