



US00D835877S

(12) **United States Design Patent** (10) **Patent No.:** **US D835,877 S**  
**Hendrickson** (45) **Date of Patent:** **\*\* Dec. 11, 2018**

(54) **SCOOTER CARRIER**  
(71) Applicant: **Brian Hendrickson**, Spring Hill, FL (US)  
(72) Inventor: **Brian Hendrickson**, Spring Hill, FL (US)  
(\*\*) Term: **15 Years**  
(21) Appl. No.: **29/593,423**  
(22) Filed: **Feb. 8, 2017**  
(51) **LOC (11) Cl.** ..... **12-05**  
(52) **U.S. Cl.**  
USPC ..... **D34/32**  
(58) **Field of Classification Search**  
USPC ..... D34/28, 31, 32, 33, 34, 35, 36, 38;  
414/659, 546, 545, 540, 539, 523, 462,  
414/541; 254/93 R, 124; 187/219;  
182/16, 149; 108/50.11, 4, 20; 224/519,  
224/509, 497, 496, 402; 280/769  
CPC ..... B60R 9/06  
See application file for complete search history.

5,542,811 A \* 8/1996 Vartanian ..... A61G 3/06  
414/541  
D472,690 S \* 4/2003 Grover ..... D34/28  
D617,972 S \* 6/2010 Lucht ..... D34/32  
D777,399 S \* 1/2017 Adriani ..... D34/32  
2006/0151555 A1\* 7/2006 Mills ..... B60R 9/06  
224/509  
2010/0066069 A1\* 3/2010 Bradshaw ..... B60R 9/06  
280/769

\* cited by examiner

*Primary Examiner* — Cynthia Ramirez  
*Assistant Examiner* — Gino Colan  
(74) *Attorney, Agent, or Firm* — Gulf Coast Intellectual Property Group

(57) **CLAIM**

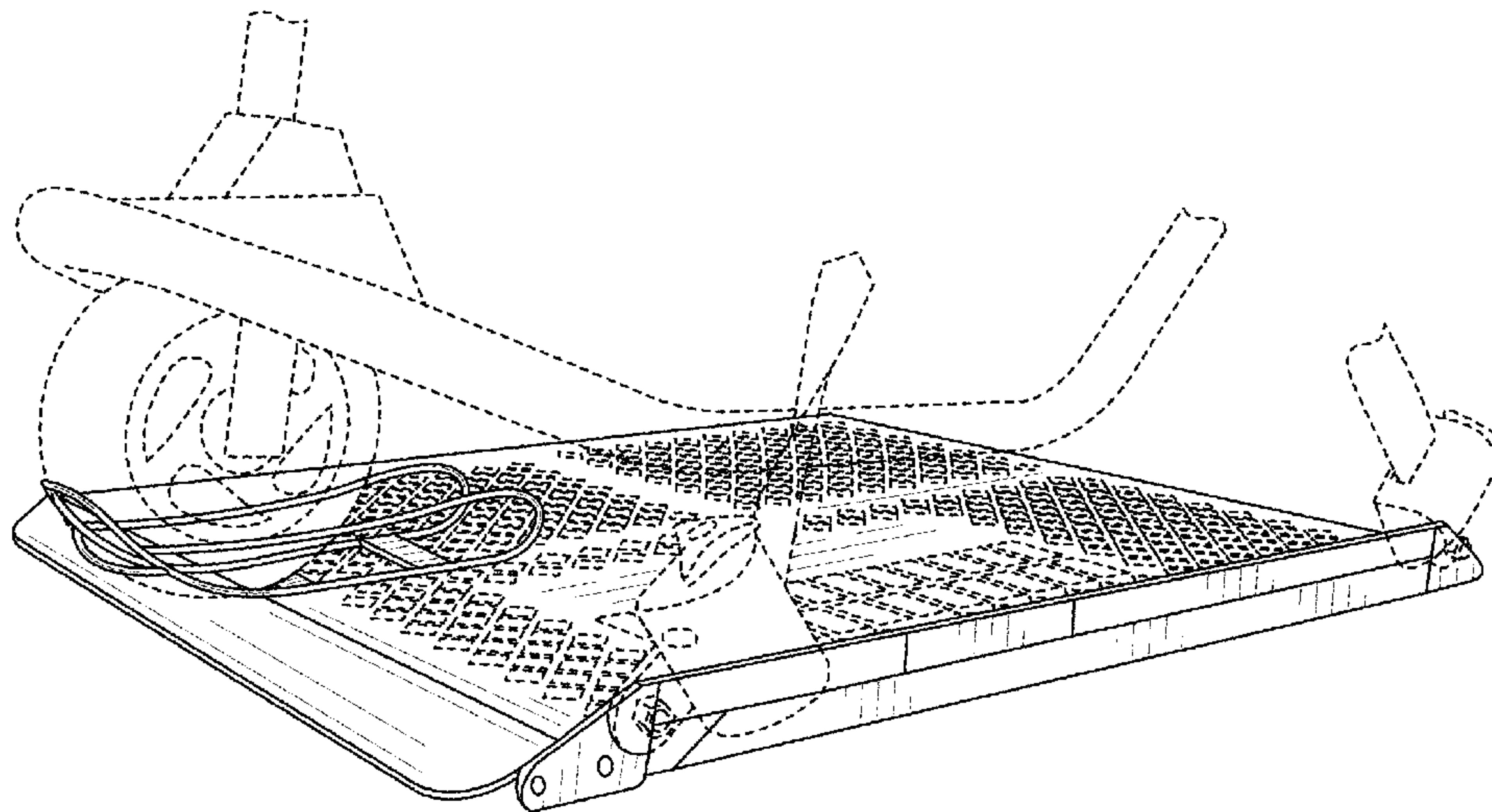
The ornamental design for a scooter carrier, as shown and described.

**DESCRIPTION**

FIG. 1 is a perspective view of a scooter carrier showing my new design; and  
FIG. 2 is a top plan view thereof;  
FIG. 3 is a right side elevation view thereof;  
FIG. 4 is a left side elevation view thereof;  
FIG. 5 is a front elevation view thereof; and,  
FIG. 6 is rear elevation view thereof.

**1 Claim, 3 Drawing Sheets**

(56) **References Cited**  
U.S. PATENT DOCUMENTS  
4,214,849 A \* 7/1980 Downing ..... B60P 1/4457  
414/545  
5,368,209 A \* 11/1994 Hill ..... B60R 9/06  
224/402



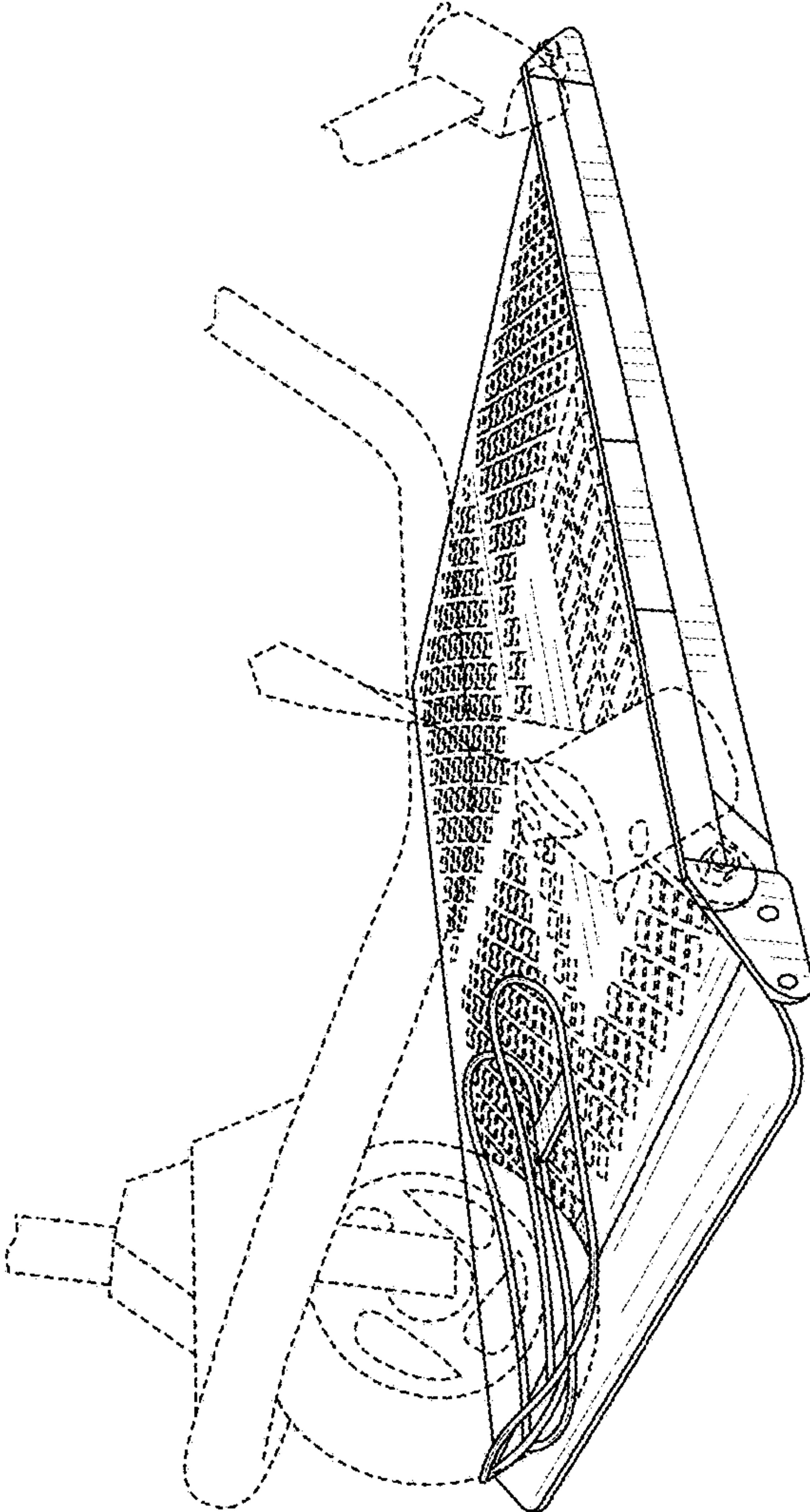


FIG. 1

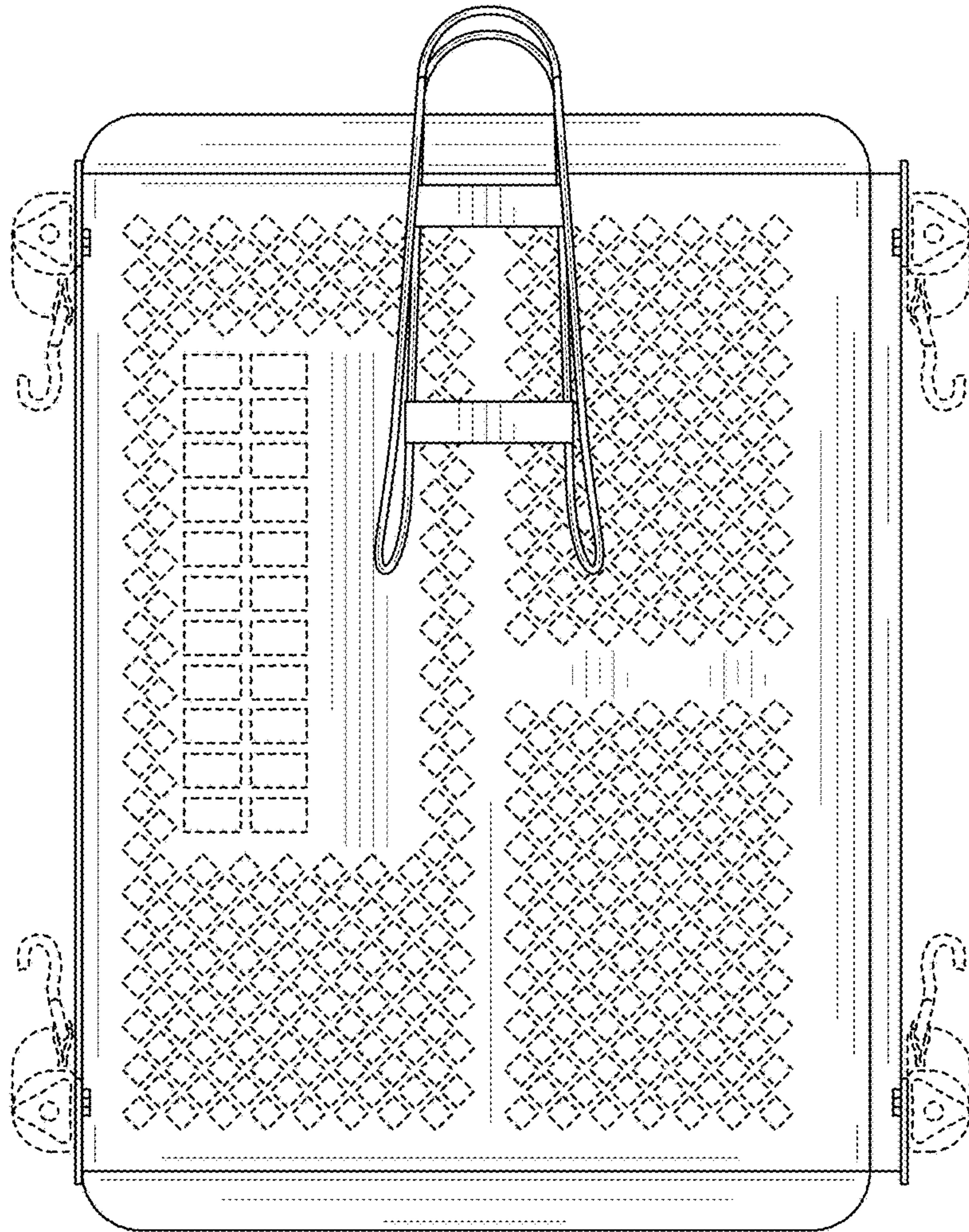


FIG. 2



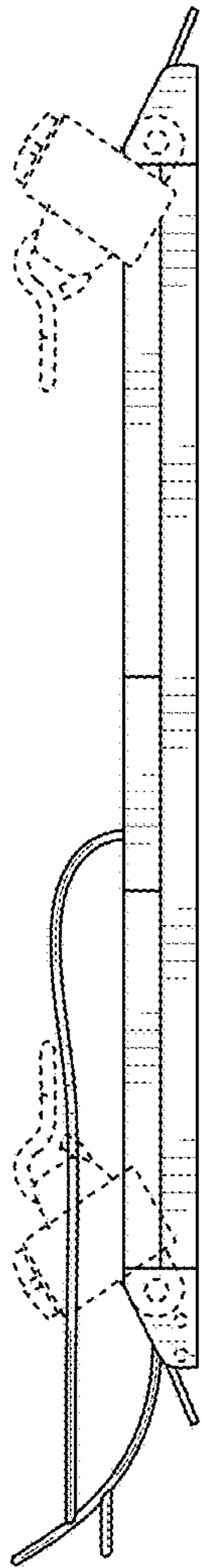


FIG. 3

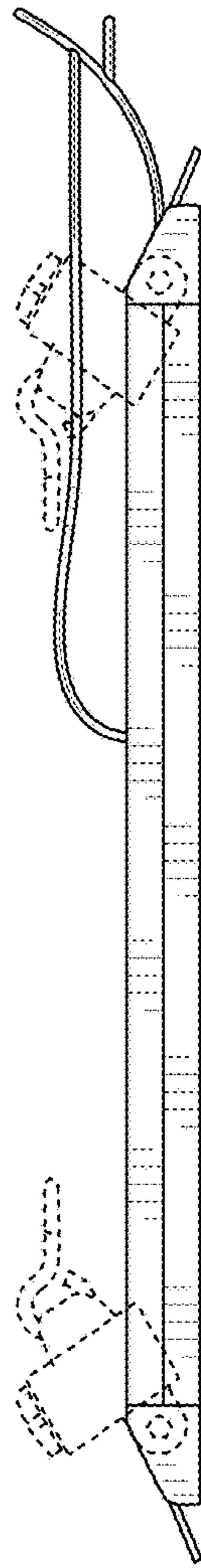


FIG. 4

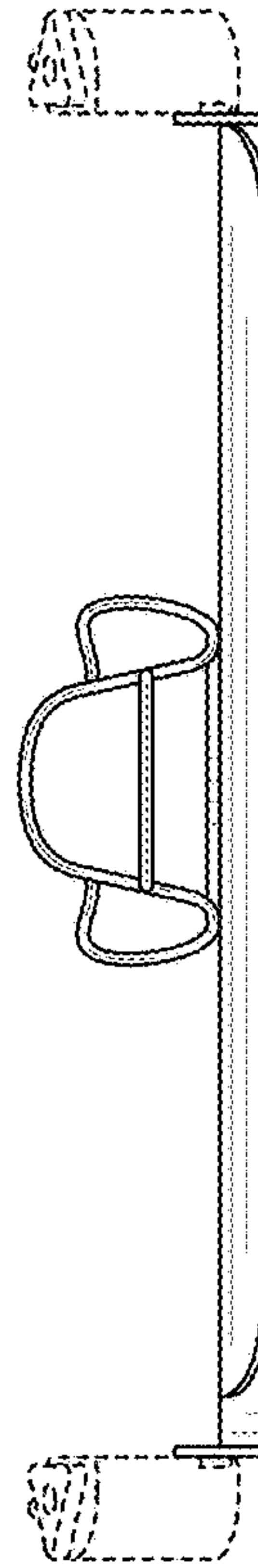


FIG. 5

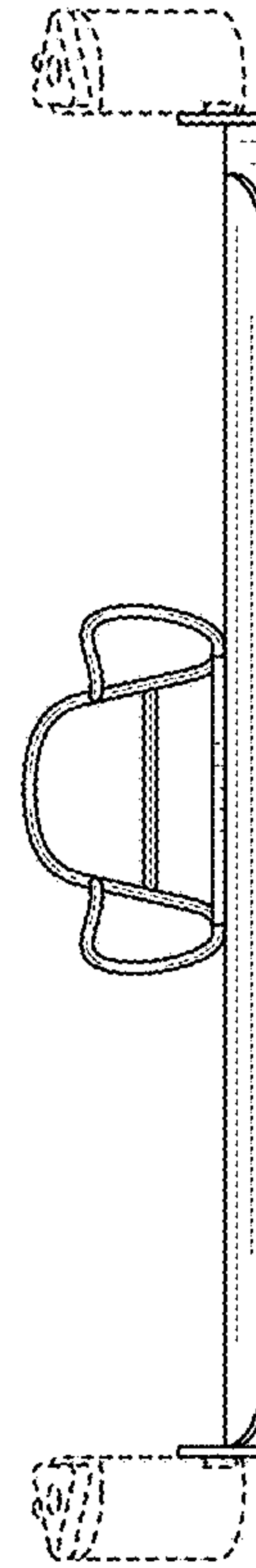


FIG. 6