



US00D835876S

(12) **United States Design Patent** (10) **Patent No.:** **US D835,876 S**  
**Ahearn** (45) **Date of Patent:** **\*\* Dec. 11, 2018**

- (54) **TANK CART**
- (71) Applicant: **David J. Ahearn**, Little Compton, RI (US)
- (72) Inventor: **David J. Ahearn**, Little Compton, RI (US)
- (\*\*) Term: **15 Years**
- (21) Appl. No.: **29/565,169**
- (22) Filed: **May 18, 2016**
- (51) **LOC (11) Cl.** ..... **12-02**
- (52) **U.S. Cl.**  
USPC ..... **D34/26**
- (58) **Field of Classification Search**  
USPC ..... D34/12-27; 280/47.24, 40, 47.19, 654, 280/645  
CPC .. B62B 1/10; B62B 1/264; B62B 1/14; B62B 1/12; B62B 1/047; B62B 1/04; B62B 2202/408; B62B 2202/20  
See application file for complete search history.

- 6,799,769 B2 \* 10/2004 Ziolkowski ..... B62B 1/264 280/47.27
- D615,724 S \* 5/2010 Girard ..... D24/185
- D632,041 S \* 2/2011 Hittle ..... D34/18
- D640,029 S \* 6/2011 Barnes ..... D34/18
- 8,262,106 B1 \* 9/2012 Suszynsky ..... B62B 5/002 280/47.131
- D673,752 S \* 1/2013 Marshall ..... D34/21
- D771,894 S \* 11/2016 Roach ..... D34/12

\* cited by examiner

*Primary Examiner* — Cynthia Ramirez  
(74) *Attorney, Agent, or Firm* — Adler Pollock & Sheehan P.C.; Daniel J. Holmader, Esq.

(57) **CLAIM**

The ornamental design for a tank cart, as shown and described.

**DESCRIPTION**

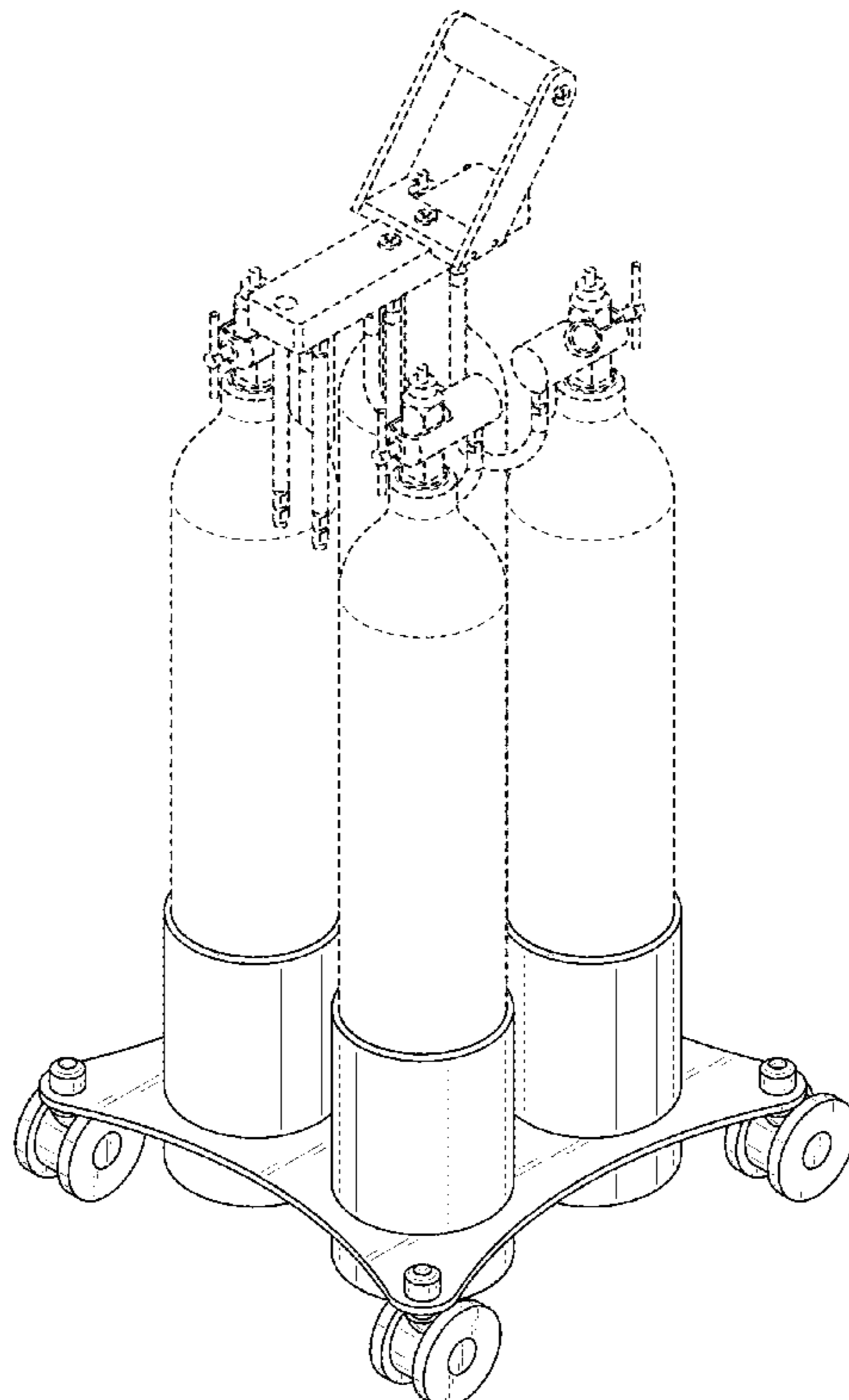
FIG. 1 is a perspective view of a tank cart showing my new design.  
FIG. 2 is a front view thereof.  
FIG. 3 is a rear view thereof.  
FIG. 4 is a left side view thereof.  
FIG. 5 is a right side view thereof.  
FIG. 6 is a top view thereof; and,  
FIG. 7 is a bottom view thereof.  
The broken line showings of the tank cart are included for the purpose of illustrating the environment, possible tanks held by the tank cart, and portions of the tank cart and form no part of the claimed design.

**1 Claim, 7 Drawing Sheets**

(56) **References Cited**

**U.S. PATENT DOCUMENTS**

- 4,793,622 A \* 12/1988 Sydlow ..... B62B 1/042 280/40
- 4,887,835 A \* 12/1989 Dallaire ..... B62B 1/047 280/646
- 5,193,842 A \* 3/1993 Fontenot ..... B62B 1/04 280/47.19



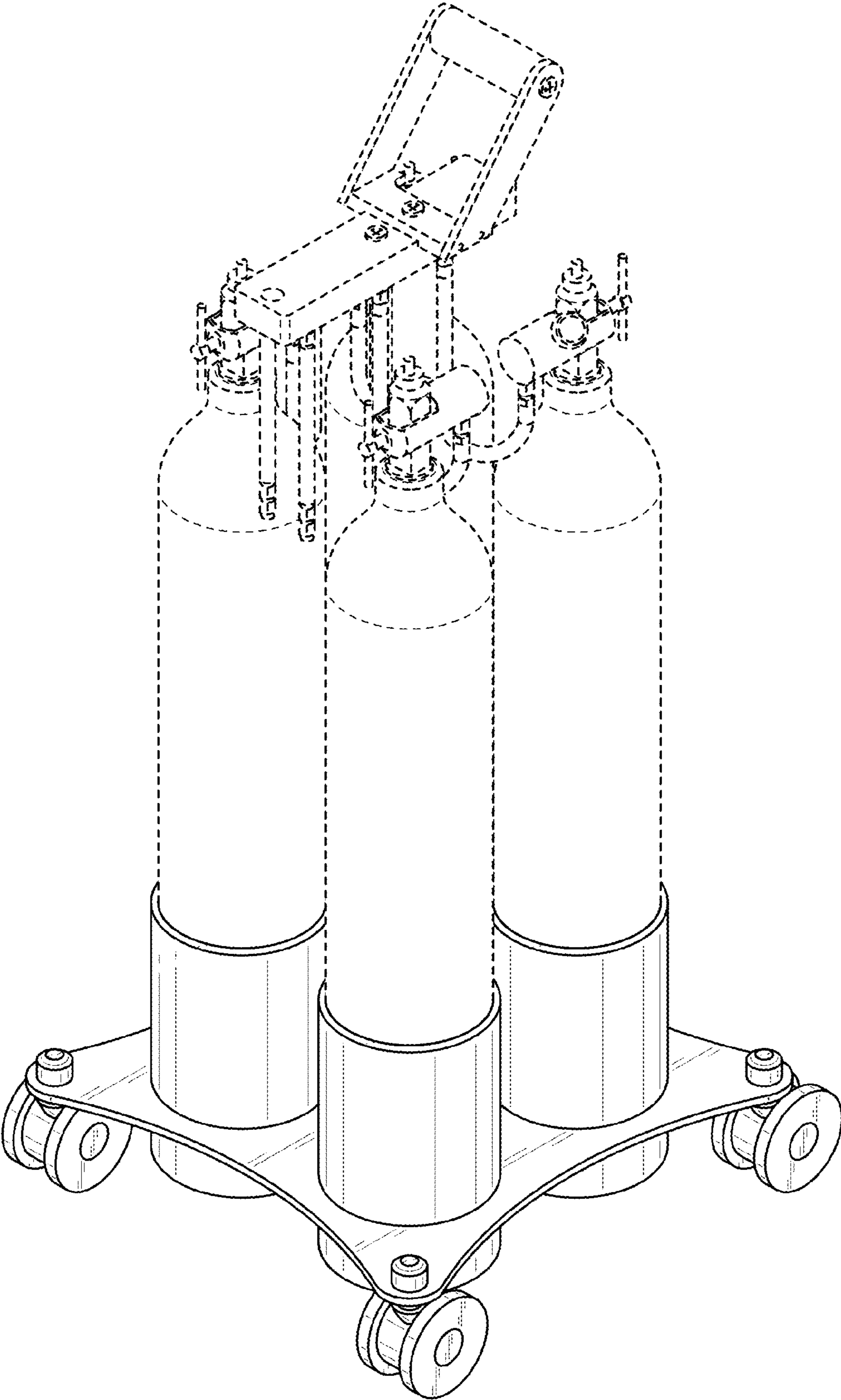


FIG. 1

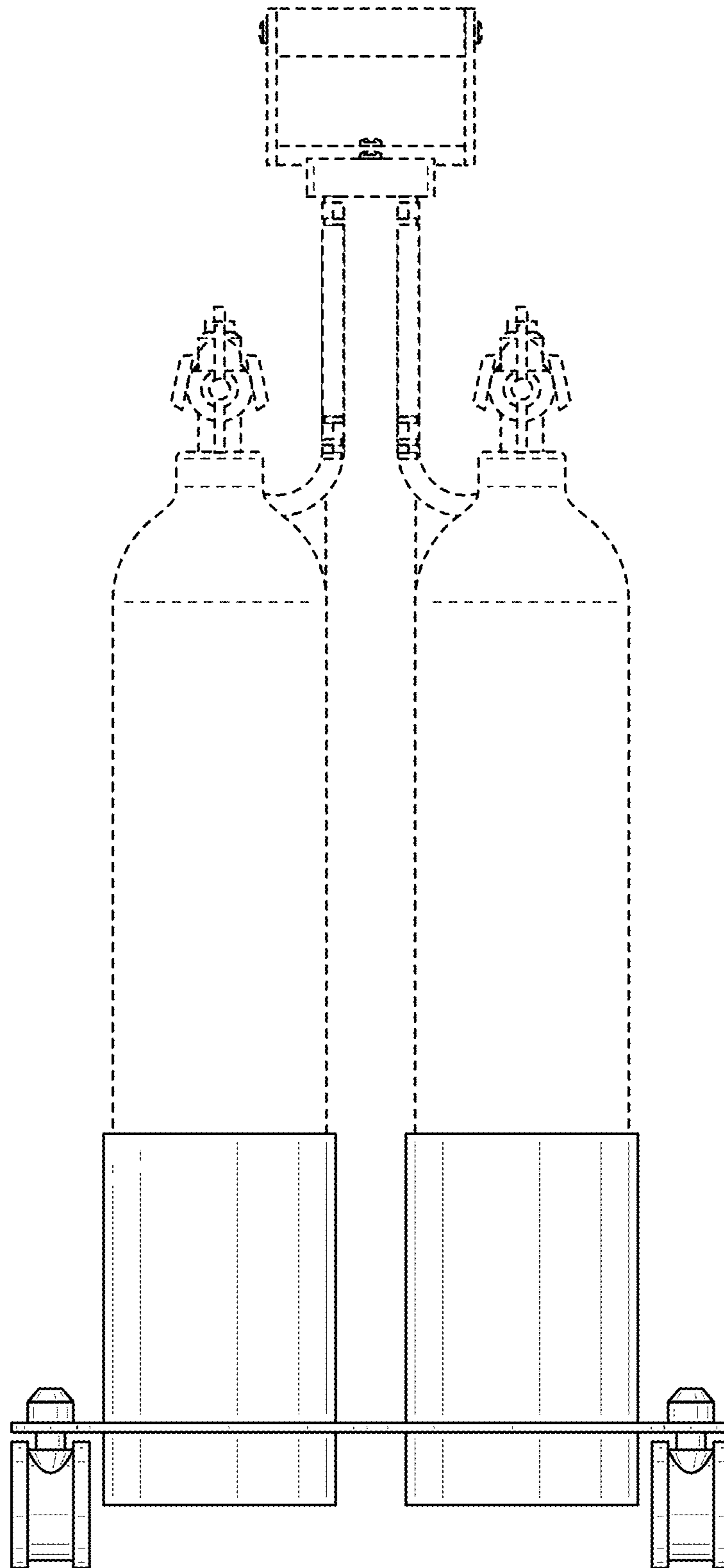


FIG. 2

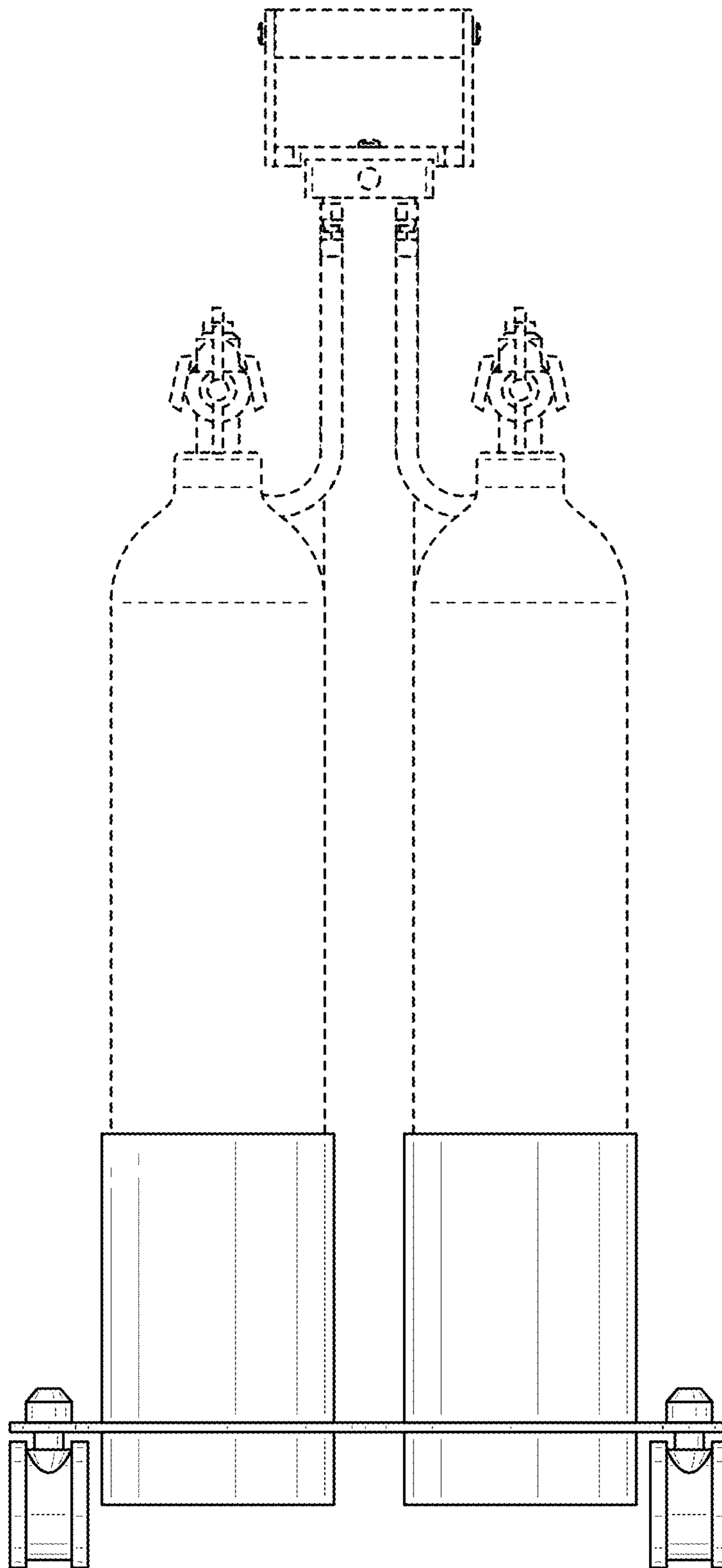


FIG. 3

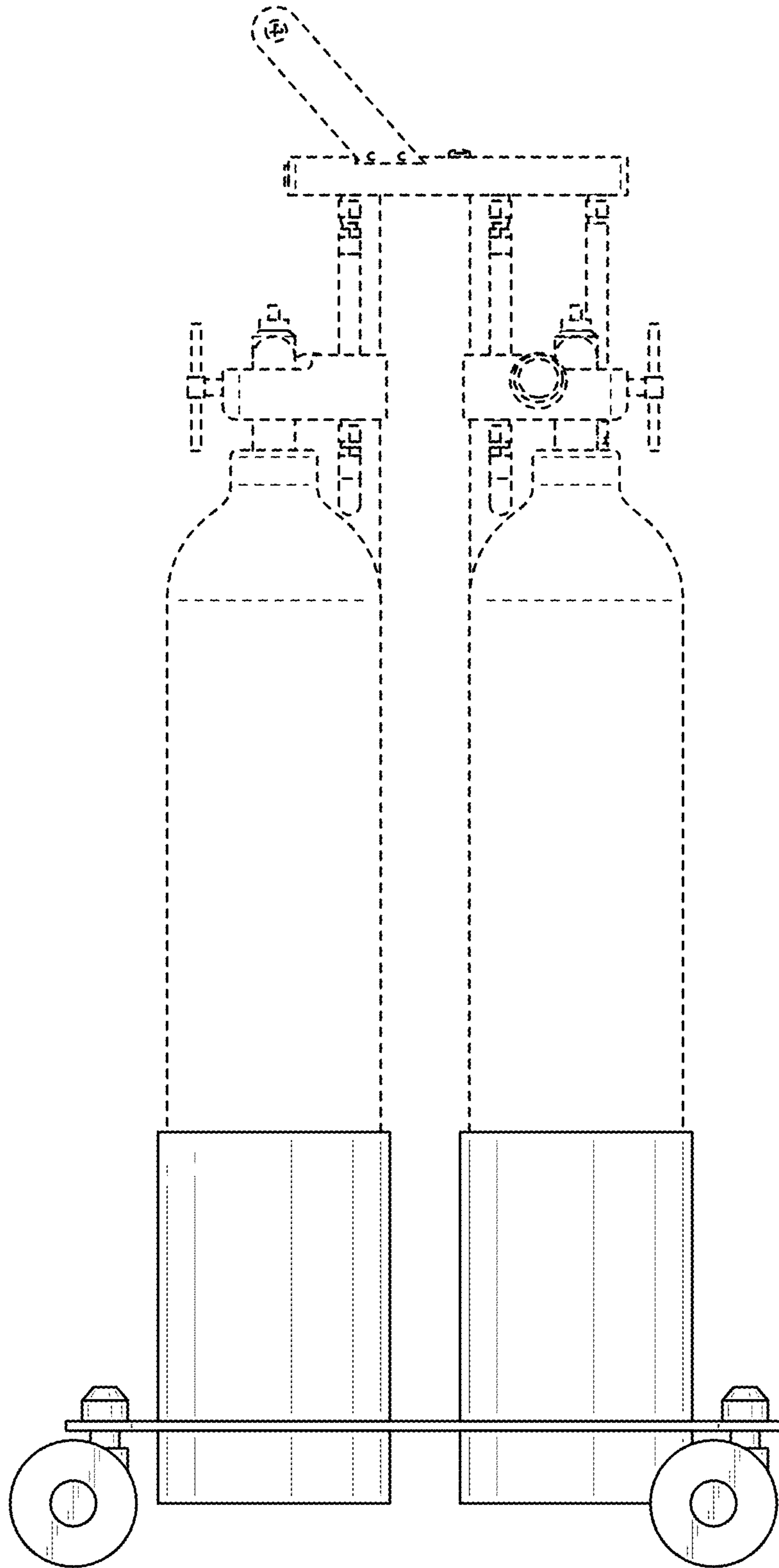


FIG. 4

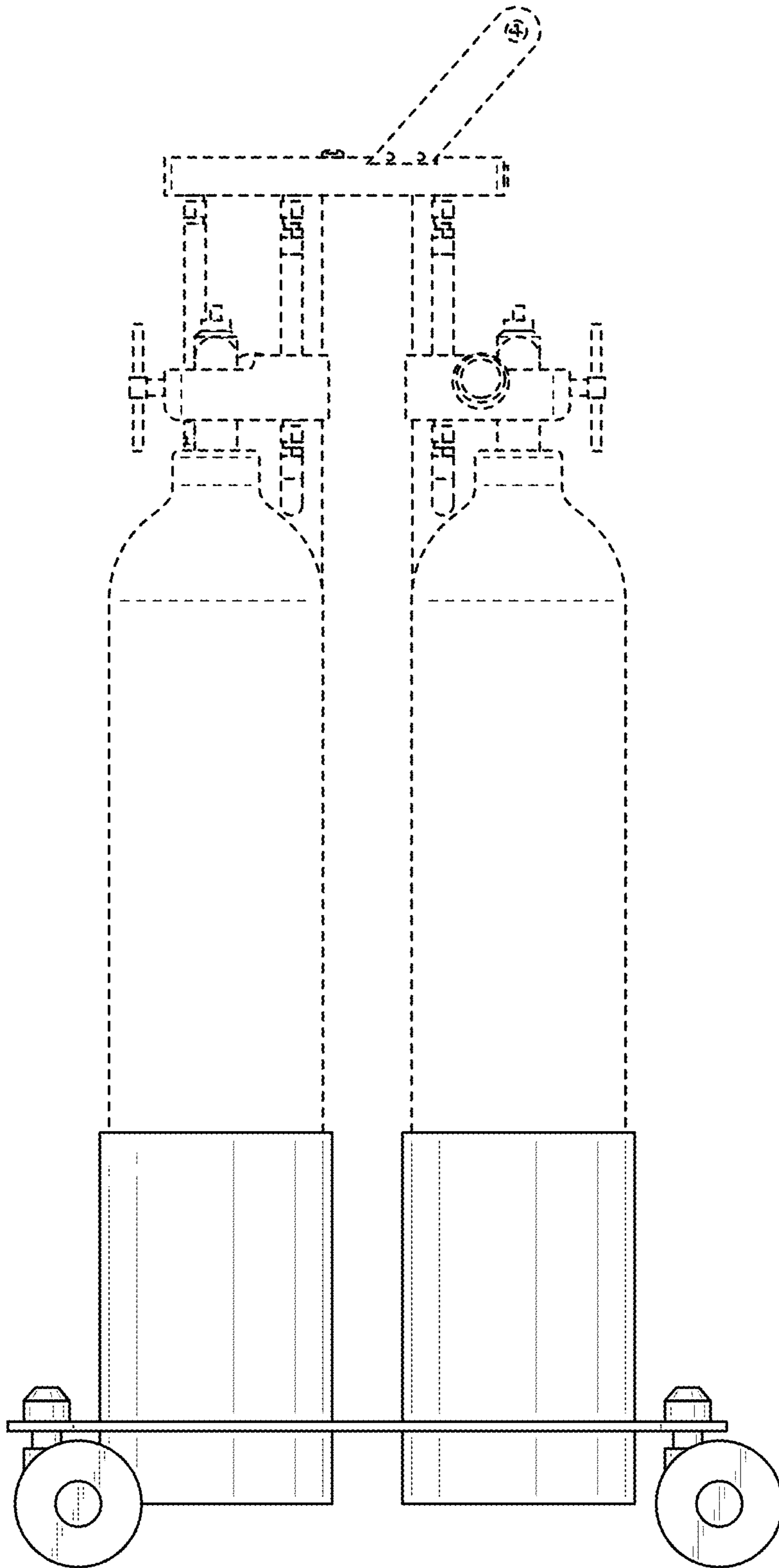


FIG. 5

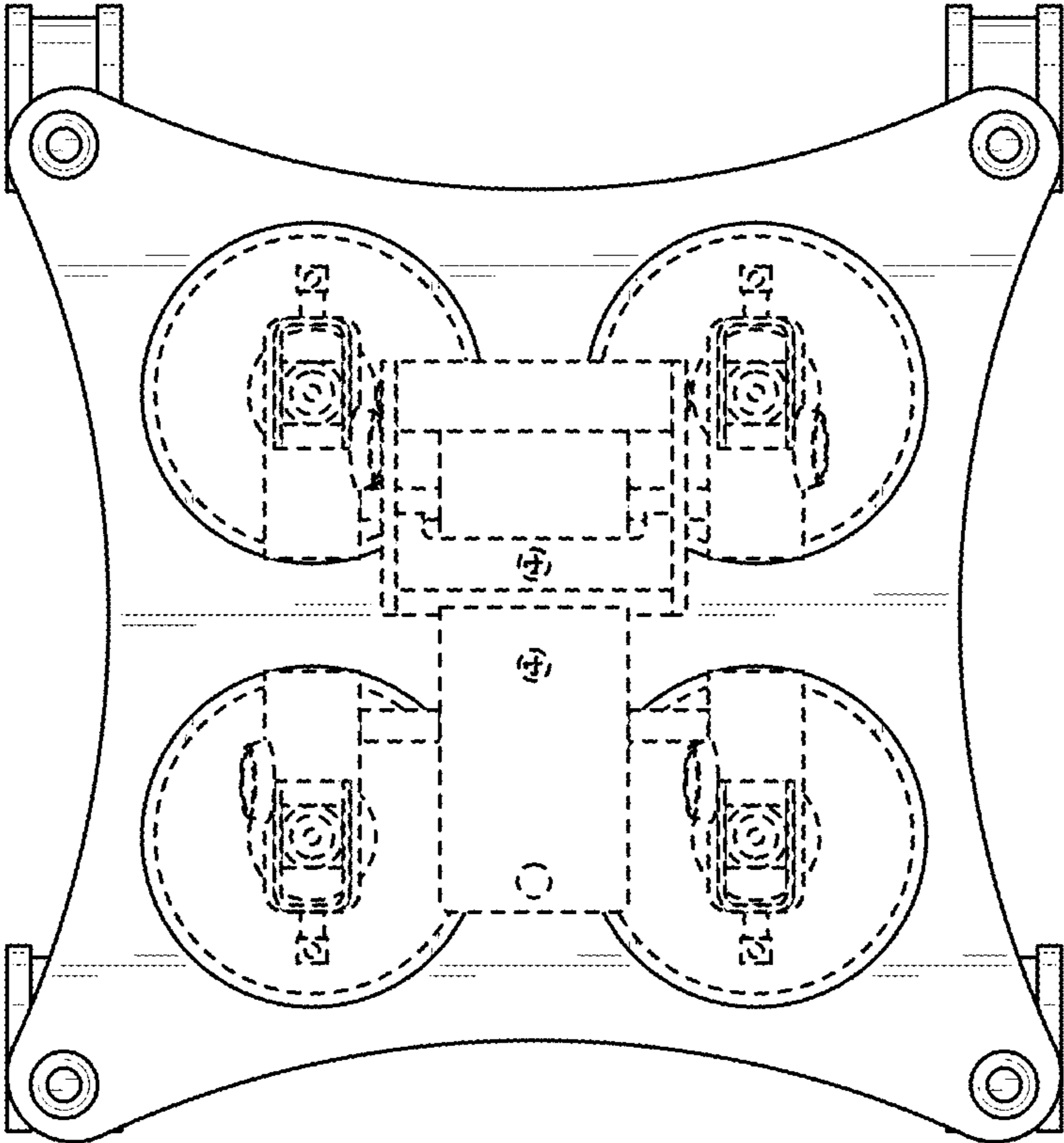


FIG. 6

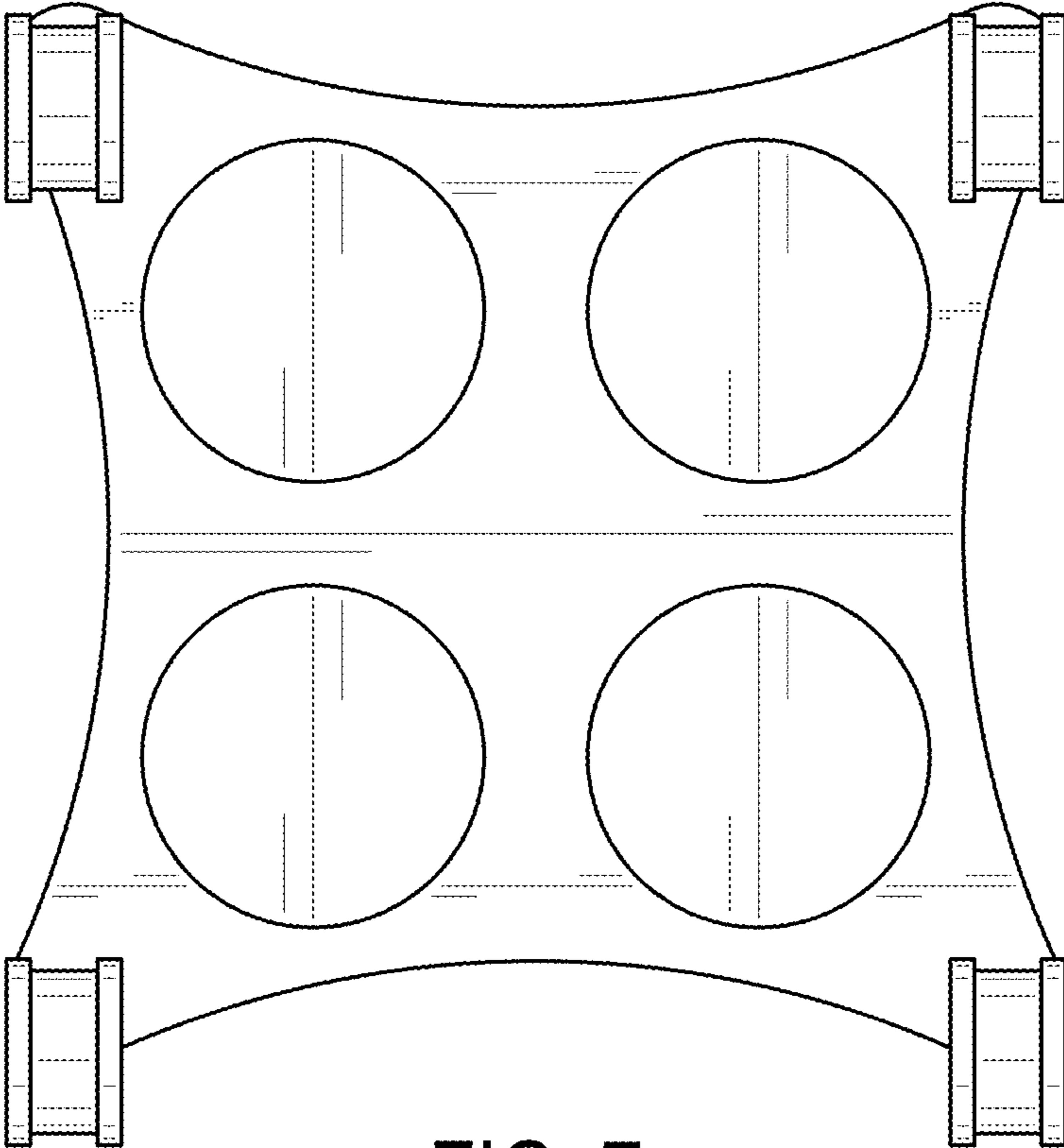


FIG. 7