



US00D835875S

(12) **United States Design Patent**  
**Sokol**

(10) **Patent No.:** **US D835,875 S**

(45) **Date of Patent:** **\*\* Dec. 11, 2018**

(54) **MOBILE CART**

(71) Applicant: **Seville Classics Inc.**, Torrance, CA  
(US)

(72) Inventor: **James Sokol**, Brea, CA (US)

(73) Assignee: **Seville Classics, Inc.**, Torrance, CA  
(US)

(\*\*) Term: **15 Years**

(21) Appl. No.: **29/615,052**

(22) Filed: **Aug. 25, 2017**

(51) **LOC (11) Cl.** ..... **12-02**

(52) **U.S. Cl.**  
USPC ..... **D34/21**

(58) **Field of Classification Search**  
USPC ..... D34/12, 13, 16-22, 25-27, 14; 280/651,  
280/47.34, 47.35, 47.19, 47.17, 79.2;  
D6/675.2, 675.1  
CPC ..... B62B 1/12; B62B 3/02; B62B 5/0438;  
B62B 3/0606  
See application file for complete search history.

(56) **References Cited**

**U.S. PATENT DOCUMENTS**

- 4,763,799 A \* 8/1988 Cohn ..... A47B 31/00  
D34/20
- D381,168 S \* 7/1997 Delmerico ..... D34/19
- D463,086 S \* 9/2002 Harwanko ..... D34/21
- 6,796,565 B2 \* 9/2004 Choi ..... B62B 3/02  
280/47.35
- D561,972 S \* 2/2008 Roever ..... D34/17

- D598,623 S \* 8/2009 Zang Wentz Pho ..... D34/20
- 7,857,329 B2 \* 12/2010 Cai ..... A47B 31/00  
280/47.35
- 9,266,547 B2 \* 2/2016 Schumaker ..... B62B 3/005

\* cited by examiner

*Primary Examiner* — Cynthia Ramirez

*Assistant Examiner* — Gino Colan

(74) *Attorney, Agent, or Firm* — Raymond Sun

(57) **CLAIM**

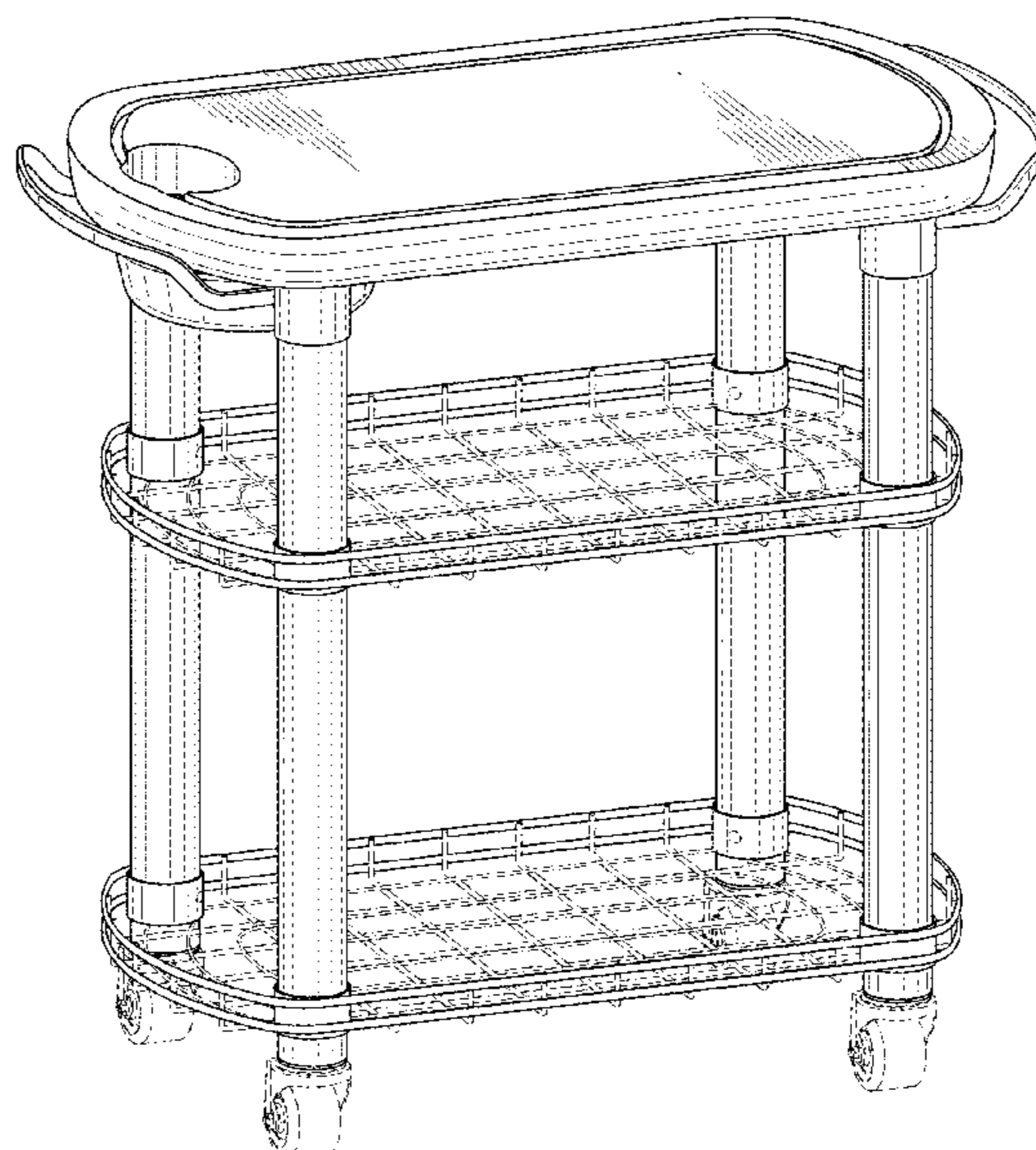
The ornamental design for a mobile cart, as shown and described.

**DESCRIPTION**

FIG. 1 is a front perspective view of a mobile cart showing a first embodiment of my new design.  
 FIG. 2 is a rear view thereof.  
 FIG. 3 is a left view thereof.  
 FIG. 4 is a right view thereof.  
 FIG. 5 is a top view thereof.  
 FIG. 6 is a bottom view thereof.  
 FIG. 7 is a front view thereof.  
 FIG. 8 is a front perspective view of a mobile cart showing a second embodiment of my new design.  
 FIG. 9 is a rear view thereof.  
 FIG. 10 is a left view thereof.  
 FIG. 11 is a right view thereof.  
 FIG. 12 is a top view thereof.  
 FIG. 13 is a bottom view thereof; and,  
 FIG. 14 is a front view thereof.

The broken lines in the drawings are included for the purpose of illustrating portions of the mobile cart and form no part of the claimed design.

**1 Claim, 14 Drawing Sheets**



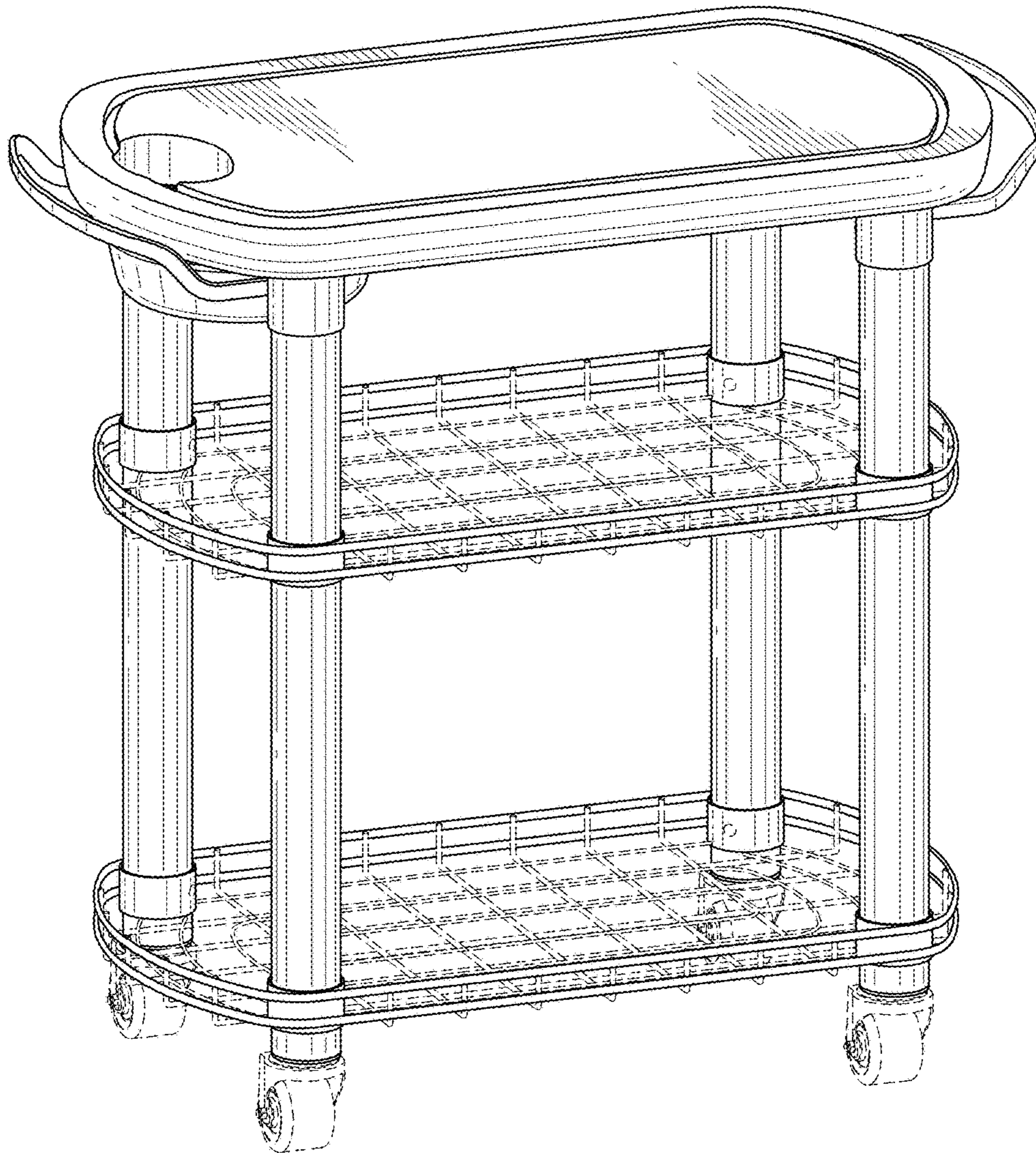


FIG. 1

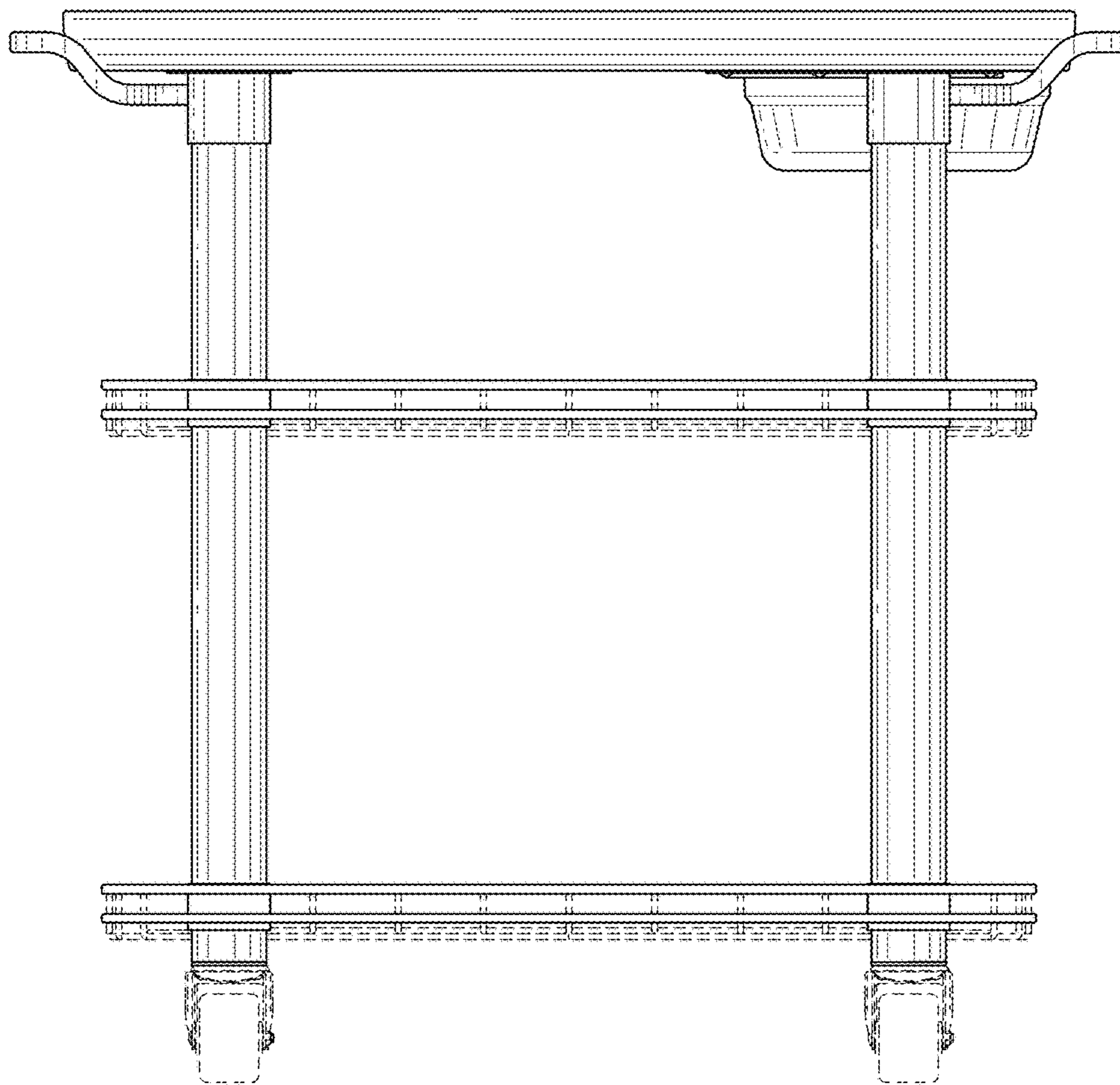


FIG. 2

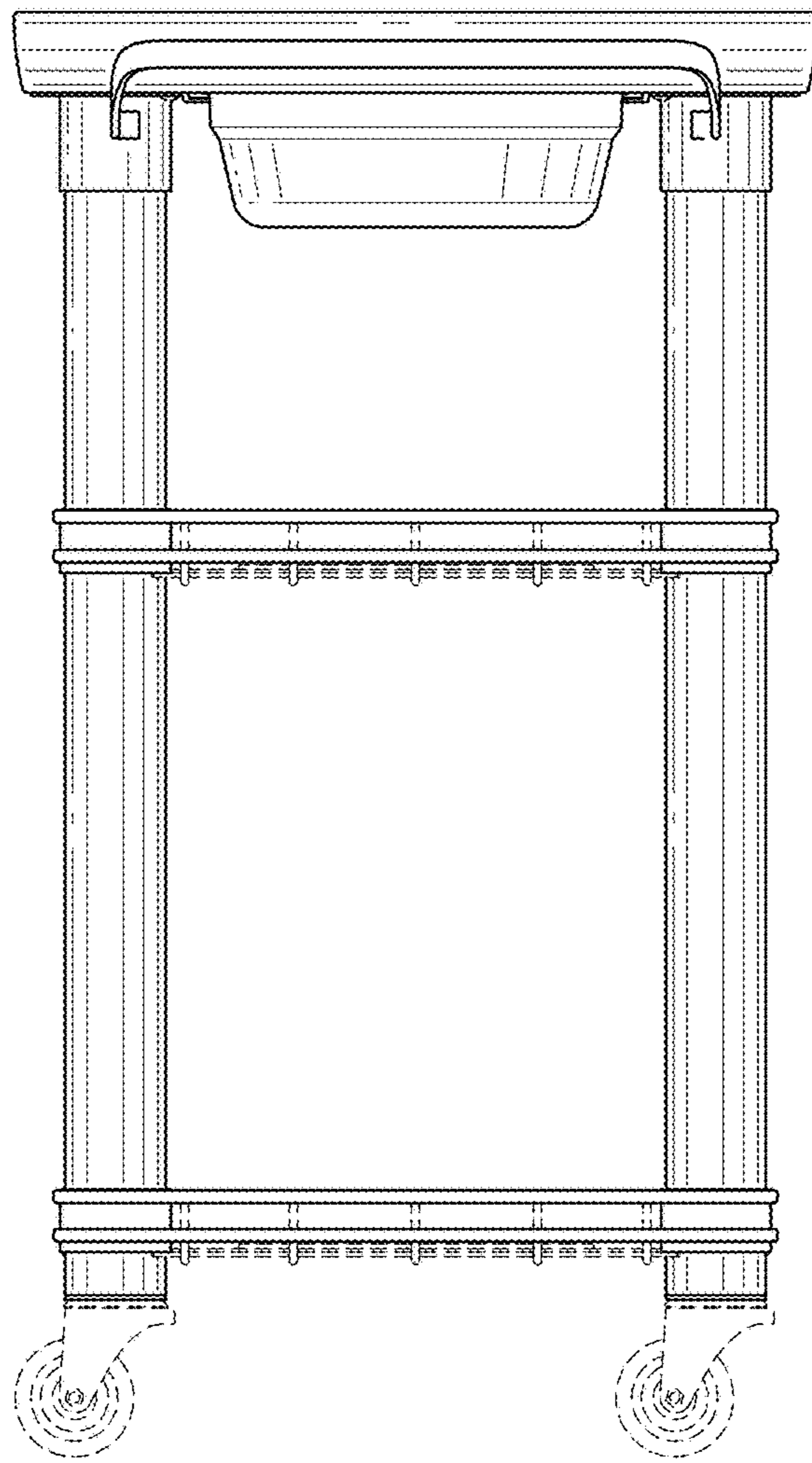


FIG. 3

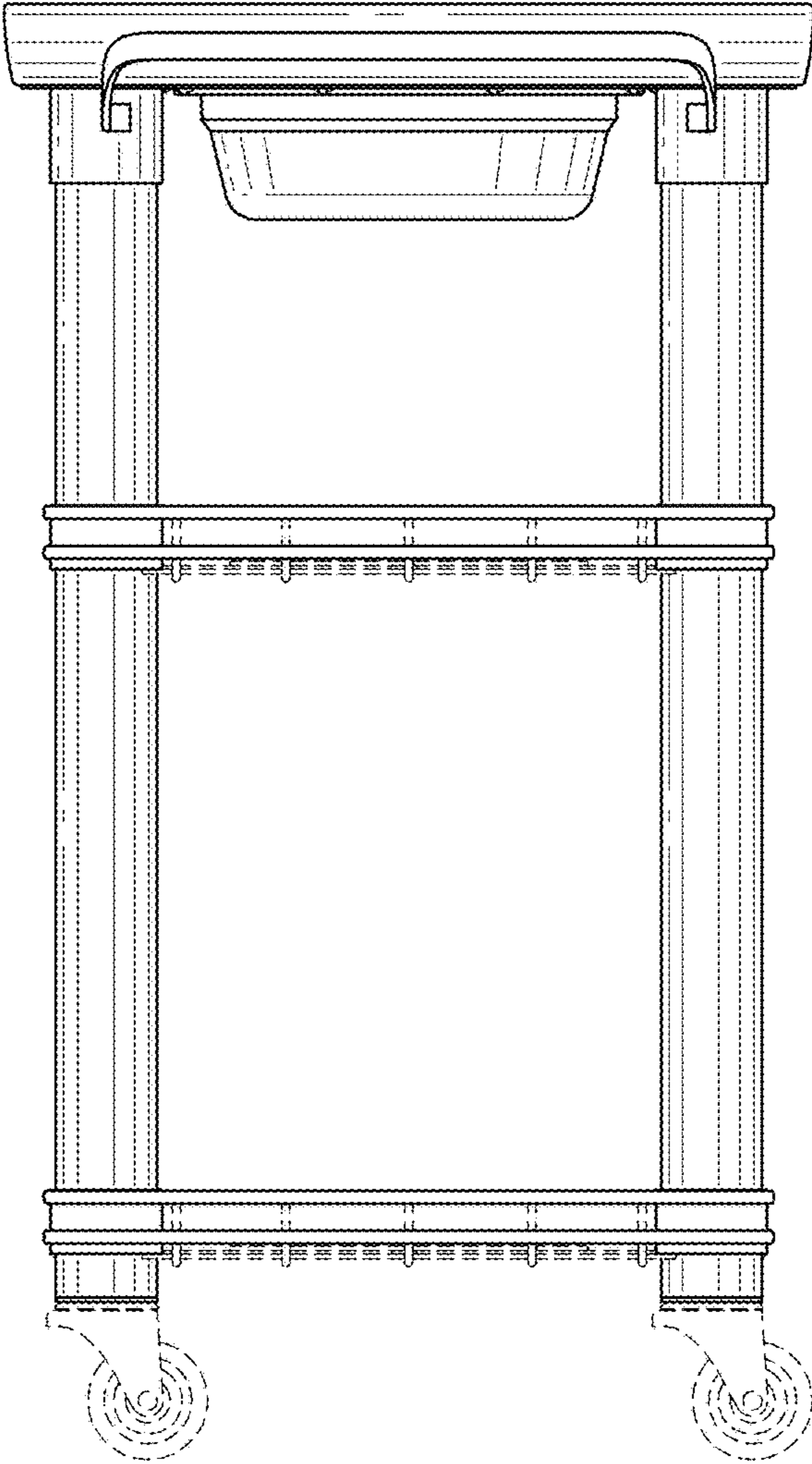


FIG.4

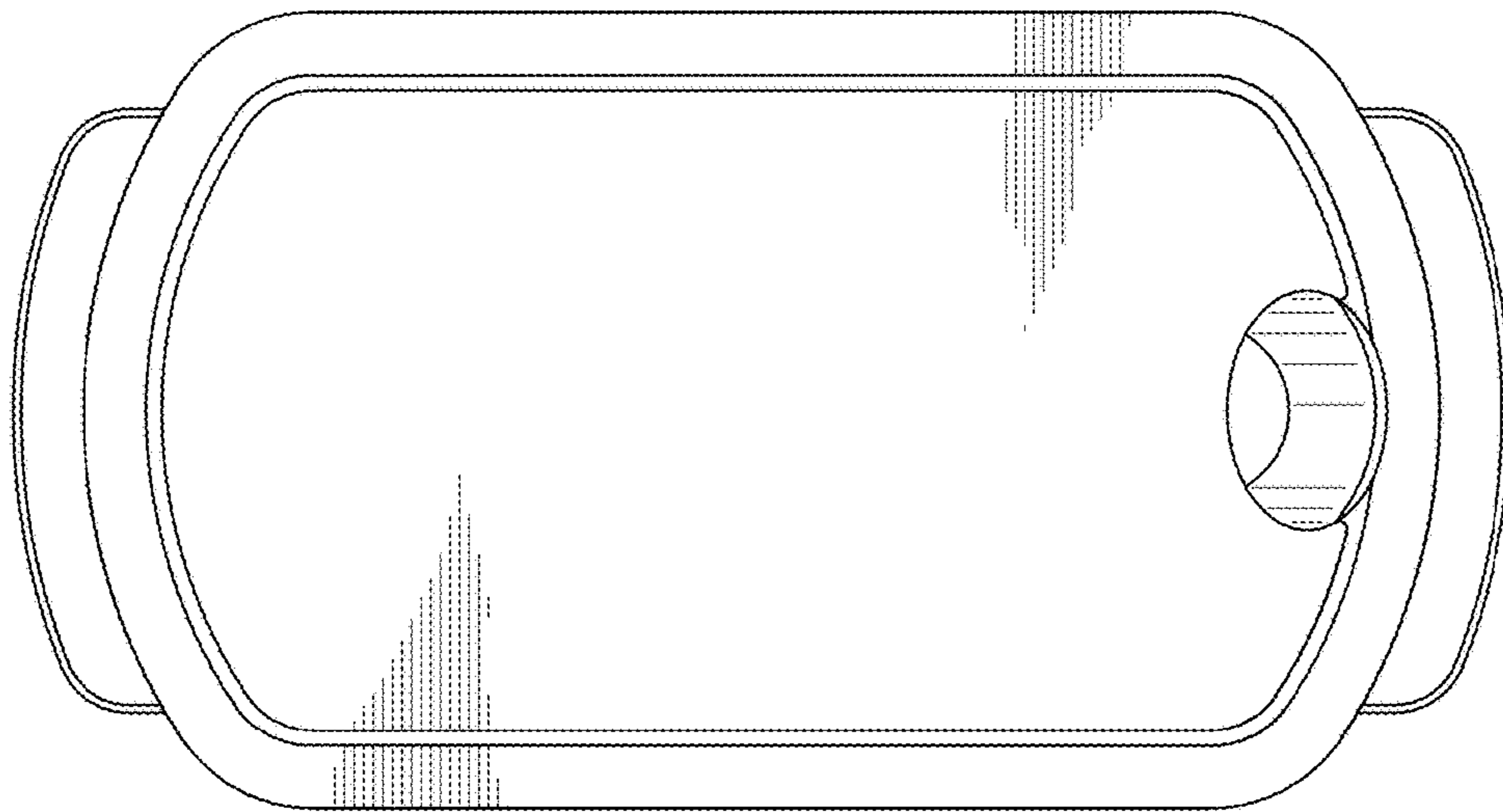


FIG. 5

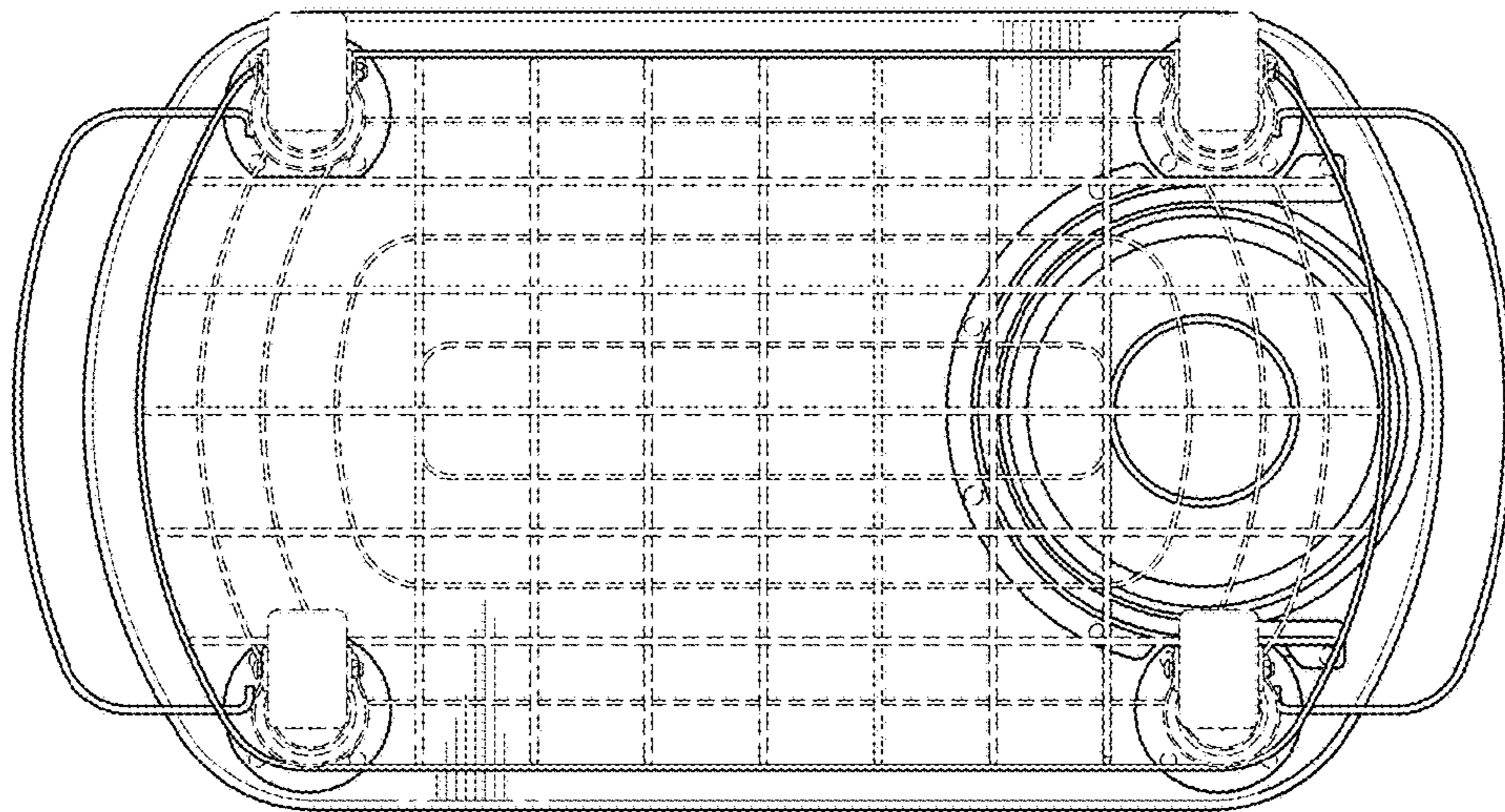


FIG. 6

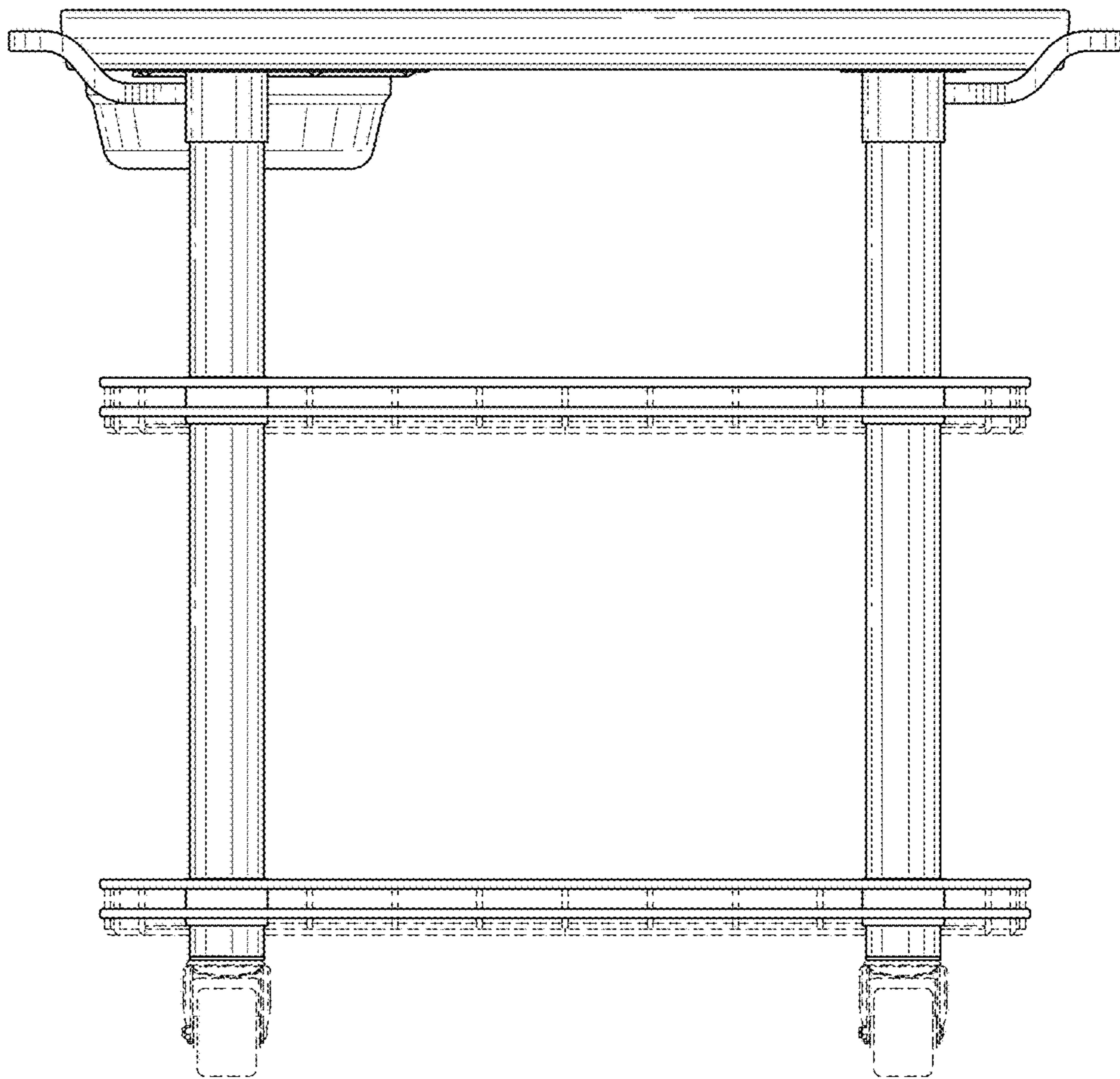


FIG. 7



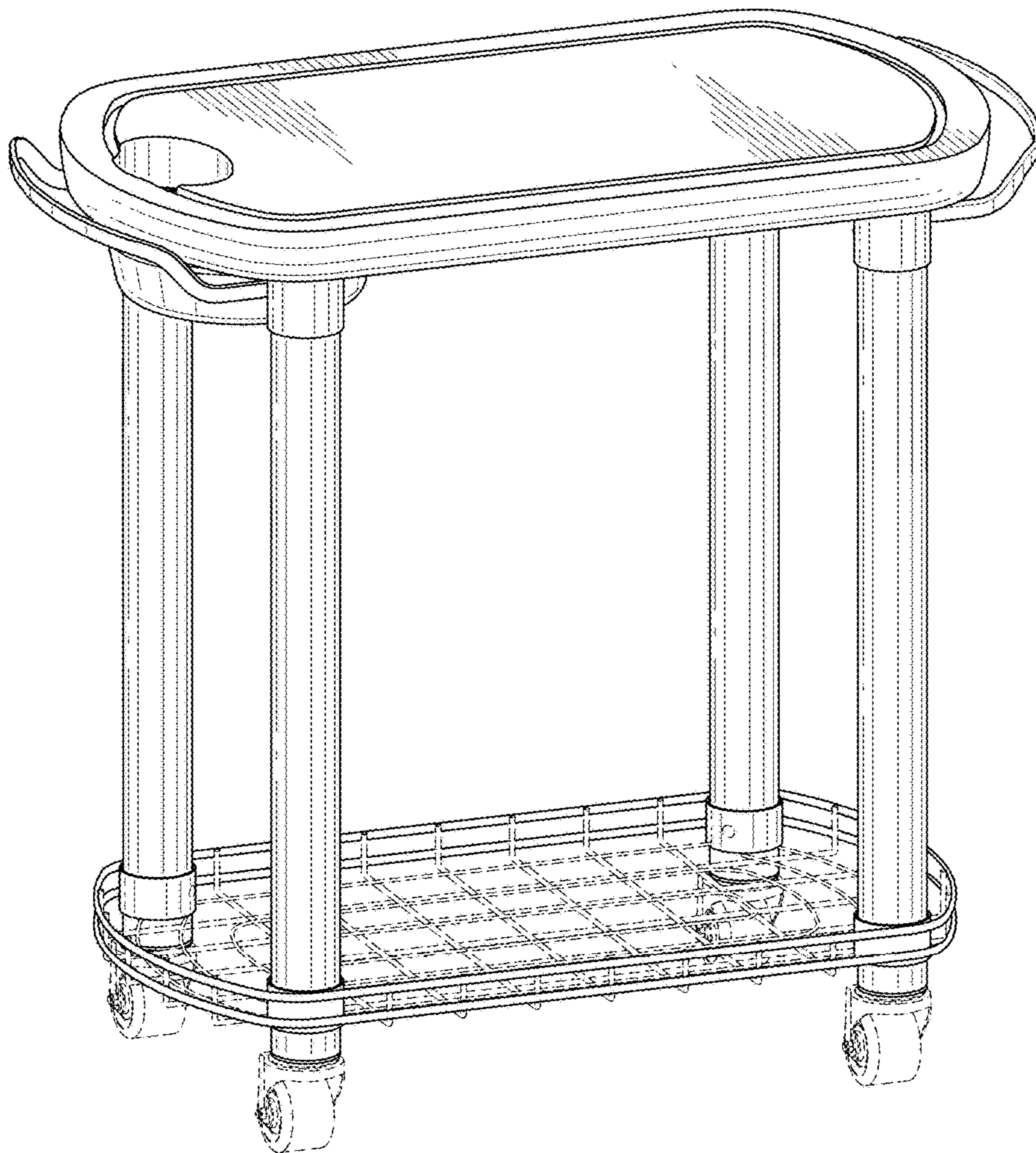


FIG. 8

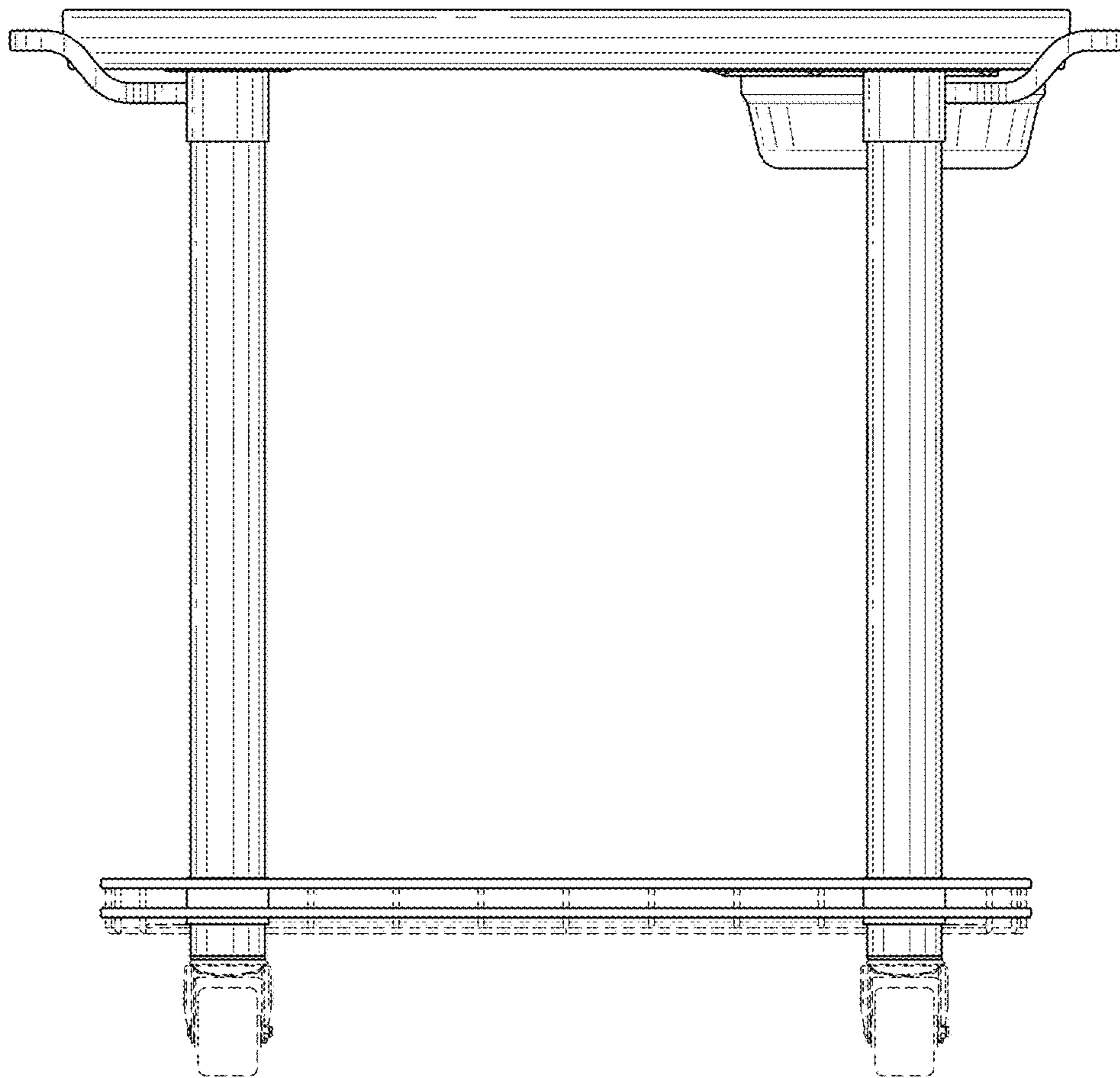


FIG. 9

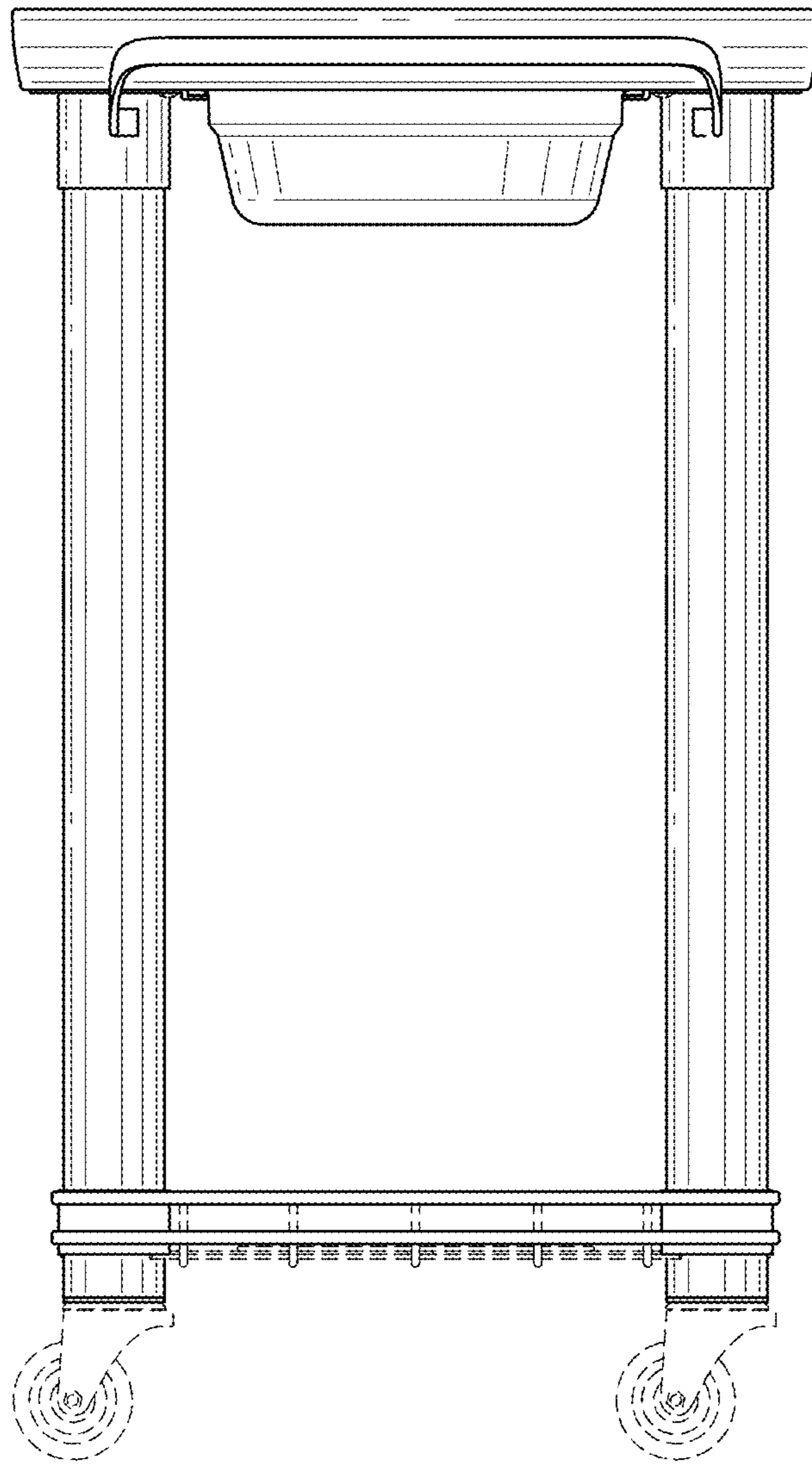


FIG. 10

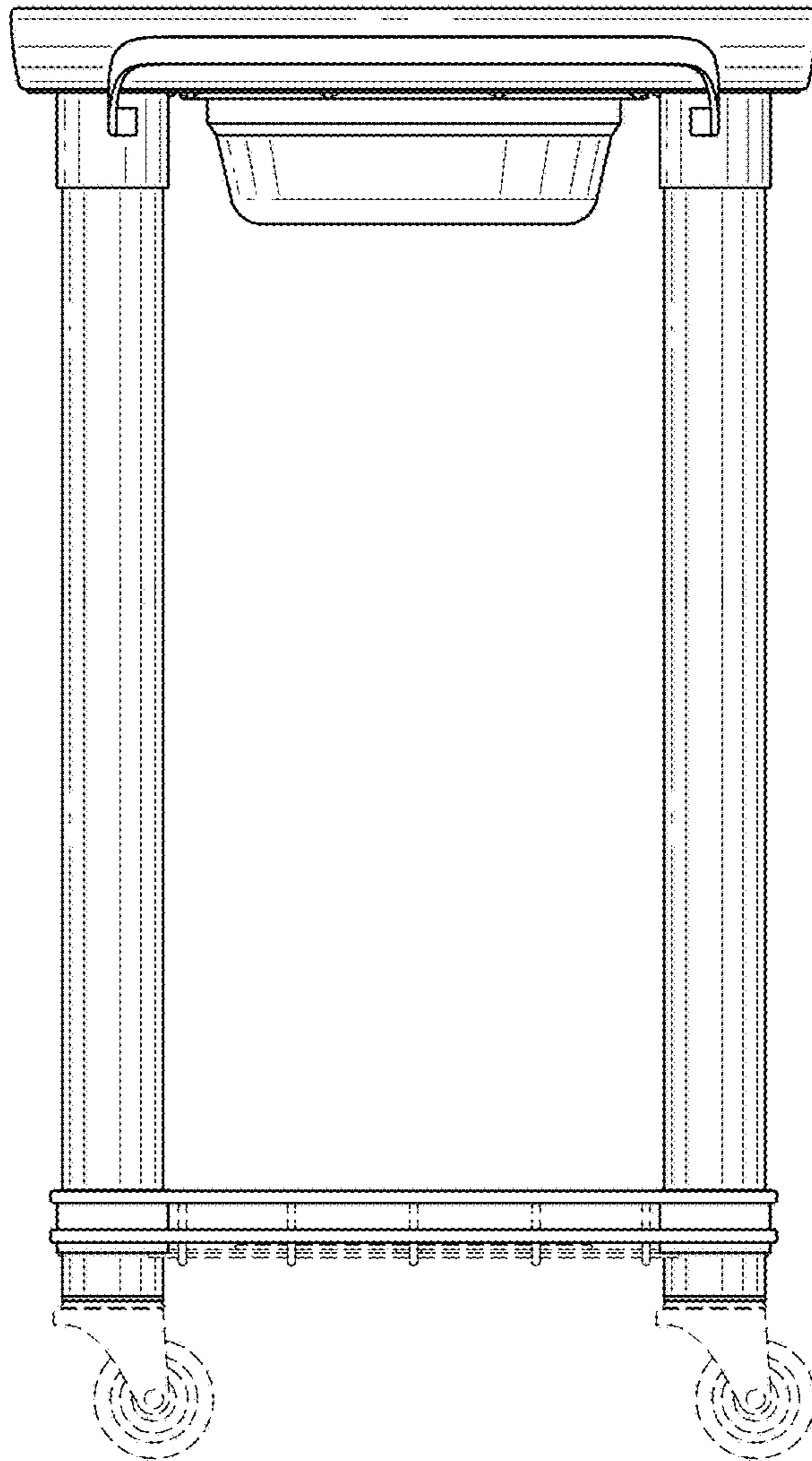


FIG. 11

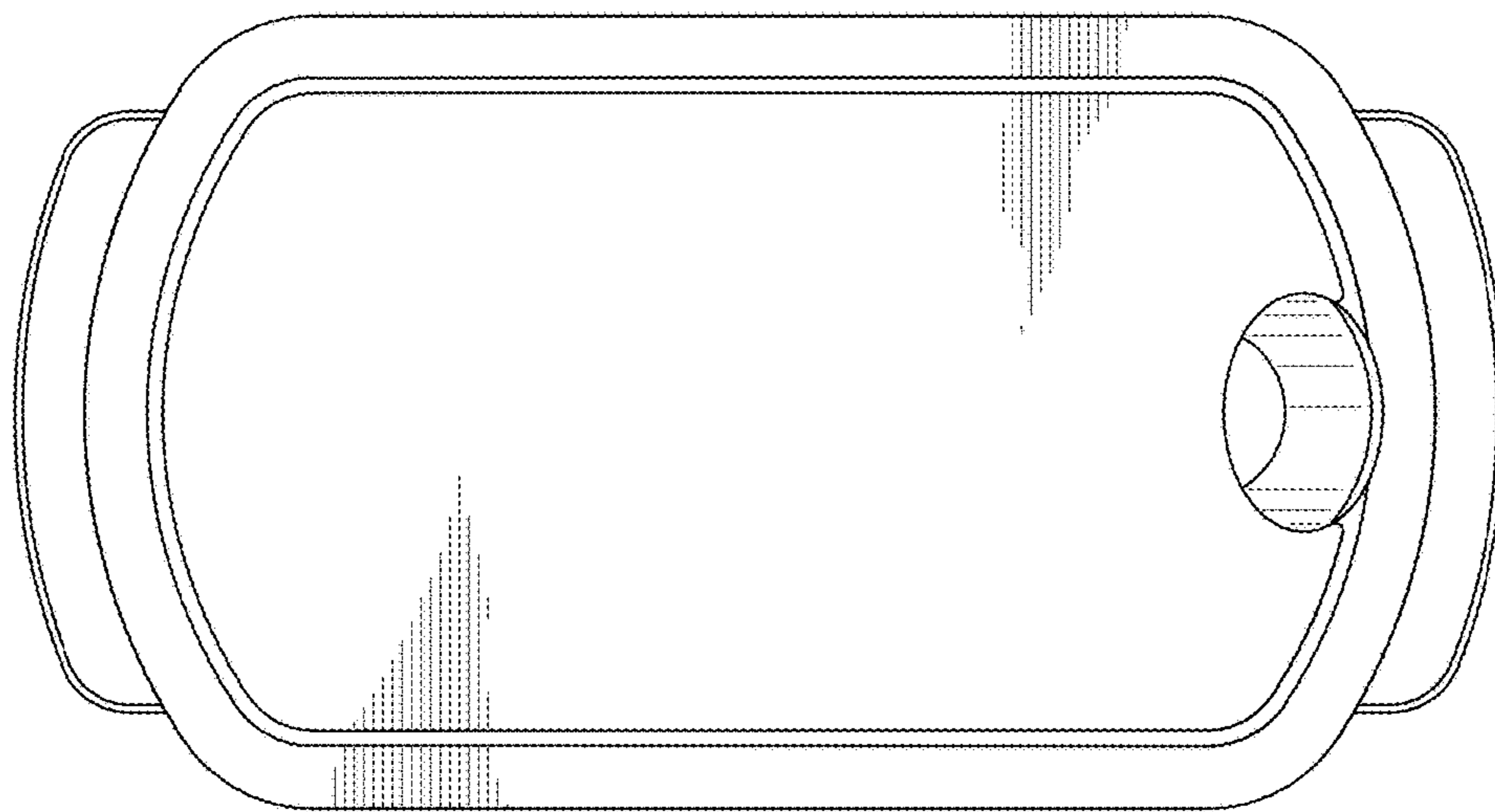


FIG. 12

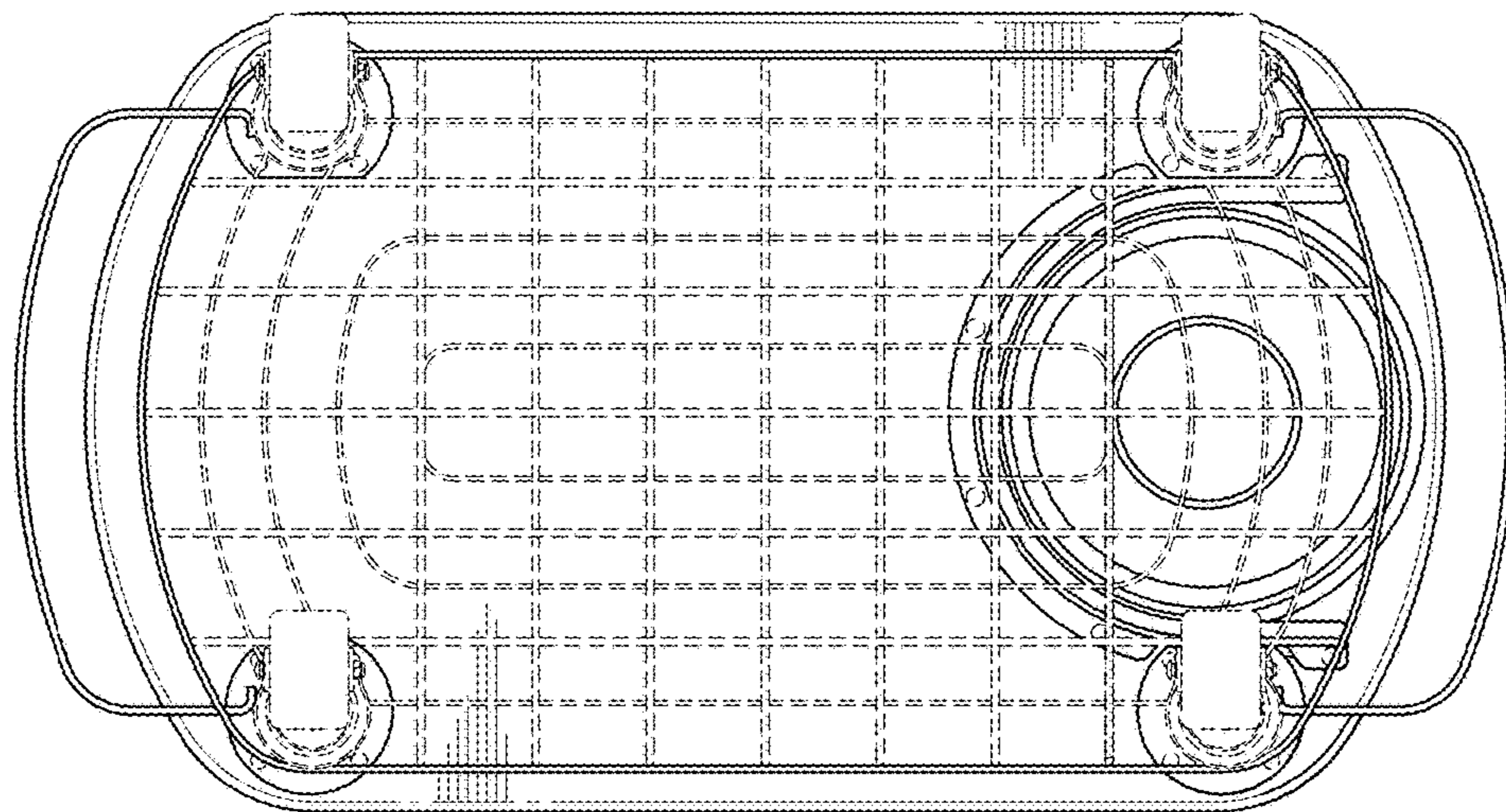


FIG. 13

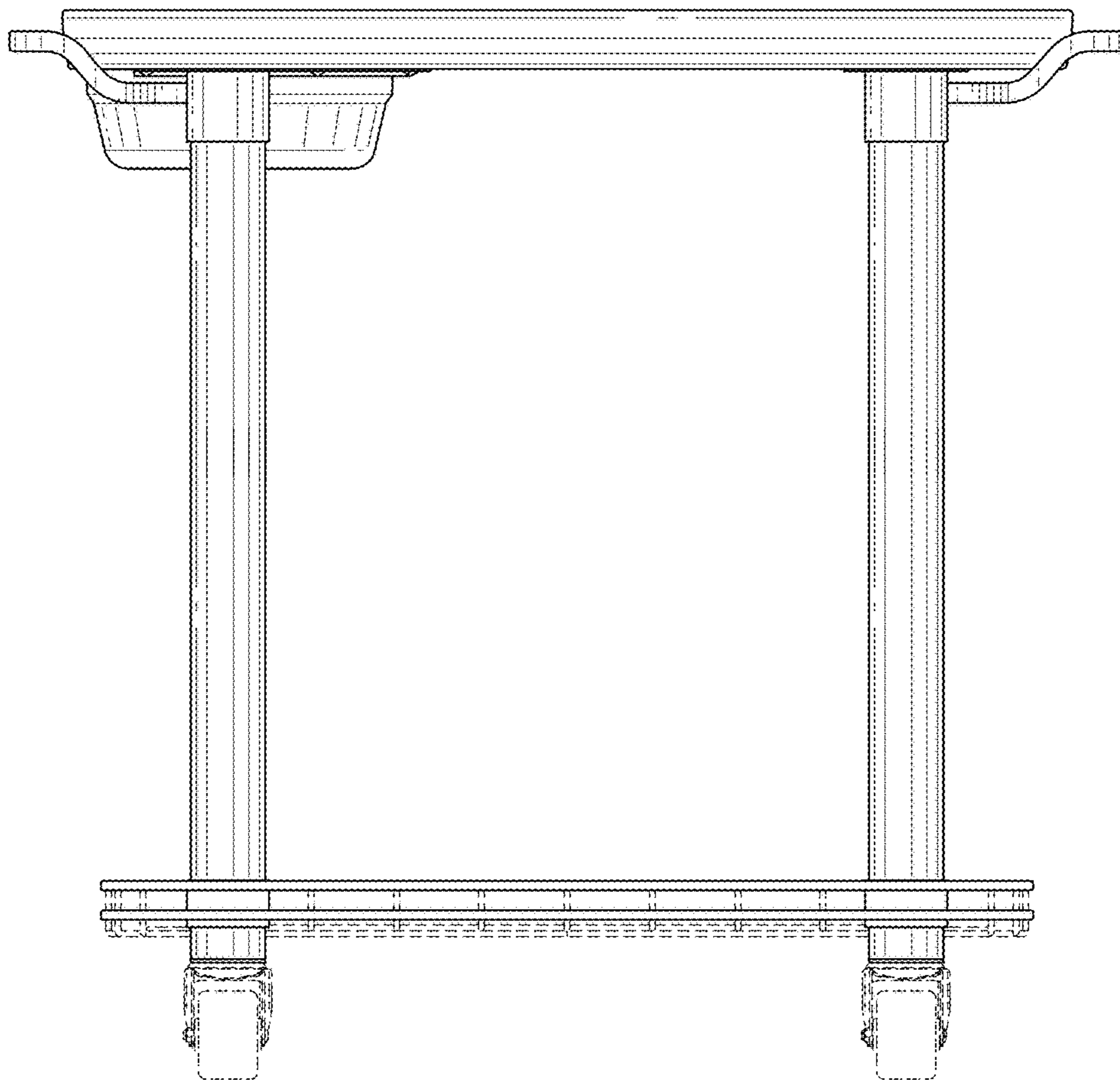


FIG. 14