



US00D835872S

(12) **United States Design Patent** (10) **Patent No.:** **US D835,872 S**
Smith (45) **Date of Patent:** **** Dec. 11, 2018**

<p>(54) ELECTRIC STEAM IRON</p> <p>(71) Applicant: KONINKLIJKE PHILIPS N.V., Eindhoven (NL)</p> <p>(72) Inventor: Peter Jonathan Smith, Amsterdam (NL)</p> <p>(73) Assignee: KONINKLIJKE PHILIPS N.V., Eindhoven (NL)</p> <p>(**) Term: 15 Years</p> <p>(21) Appl. No.: 35/503,726</p> <p>(22) Filed: Mar. 28, 2017</p>	<p>D478,401 S * 8/2003 Lee D32/70</p> <p>D480,192 S * 9/2003 Wendt D32/70</p> <p>D481,185 S * 10/2003 Powell D32/70</p> <p>D481,186 S * 10/2003 Powell D32/70</p> <p>D487,603 S * 3/2004 Renault D32/70</p> <p>D490,953 S * 6/2004 Fujita D32/70</p> <p>D501,692 S * 2/2005 Powell D32/70</p> <p>D516,764 S * 3/2006 Kihara D32/70</p> <p>D530,872 S * 10/2006 Barquin Santillan D32/70</p> <p>D531,371 S * 10/2006 Barquin Santillan D32/70</p> <p>D531,773 S * 11/2006 Leung D32/70</p> <p>D537,594 S * 2/2007 Takahashi D32/70</p> <p>D582,620 S * 12/2008 Brown D32/70</p> <p>D587,418 S * 2/2009 Mizoguchi D32/68</p> <p>D668,413 S * 10/2012 Smith D32/70</p> <p>D676,210 S * 2/2013 Sirard D32/70</p> <p>D734,582 S * 7/2015 Umeda D32/70</p> <p>D773,144 S * 11/2016 Tan D32/70</p>
--	---

(80) **Hague Agreement Data**

Int. Filing Date: **Mar. 28, 2017**
Int. Reg. No.: **DM/095535**
Int. Reg. Date: **Mar. 28, 2017**
Int. Reg. Pub. Date: **Sep. 29, 2017**

(30) **Foreign Application Priority Data**

Oct. 9, 2016 (EM) 003412022-0001

(51) **LOC (11) Cl.** **07-05**

(52) **U.S. Cl.**
USPC **D32/70**

(58) **Field of Classification Search**
USPC D32/17, 68, 70, 73
CPC D06F 75/30; D06F 75/36; D06F 75/10;
D06F 87/00

See application file for complete search history.

(56) **References Cited**

U.S. PATENT DOCUMENTS

D388,920 S *	1/1998	Nitsch	D32/70
D401,706 S *	11/1998	Gudefin	D32/70
D402,779 S *	12/1998	Gudefin	D32/70
D409,807 S *	5/1999	Kondo	D32/70
D443,963 S *	6/2001	Gudefin	D32/70
D472,354 S *	3/2003	Figur	D32/70

OTHER PUBLICATIONS

Amazon.com: Philips GC3920 Perfect Care Steam Iron. No date given. 6 pages. Found online Jul. 19, 2018 at https://www.amazon.com/Philips-GC3920-PerfectCare-Steam-continuous/dp/B074N571W1/ref=sr_1_17?s=home-garden&ie=UTF8&qid=1532008495&sr=1-17&keywords=Philips+Steam+Iron (Year: 2018).*

* cited by examiner

Primary Examiner — Robert M. Spear

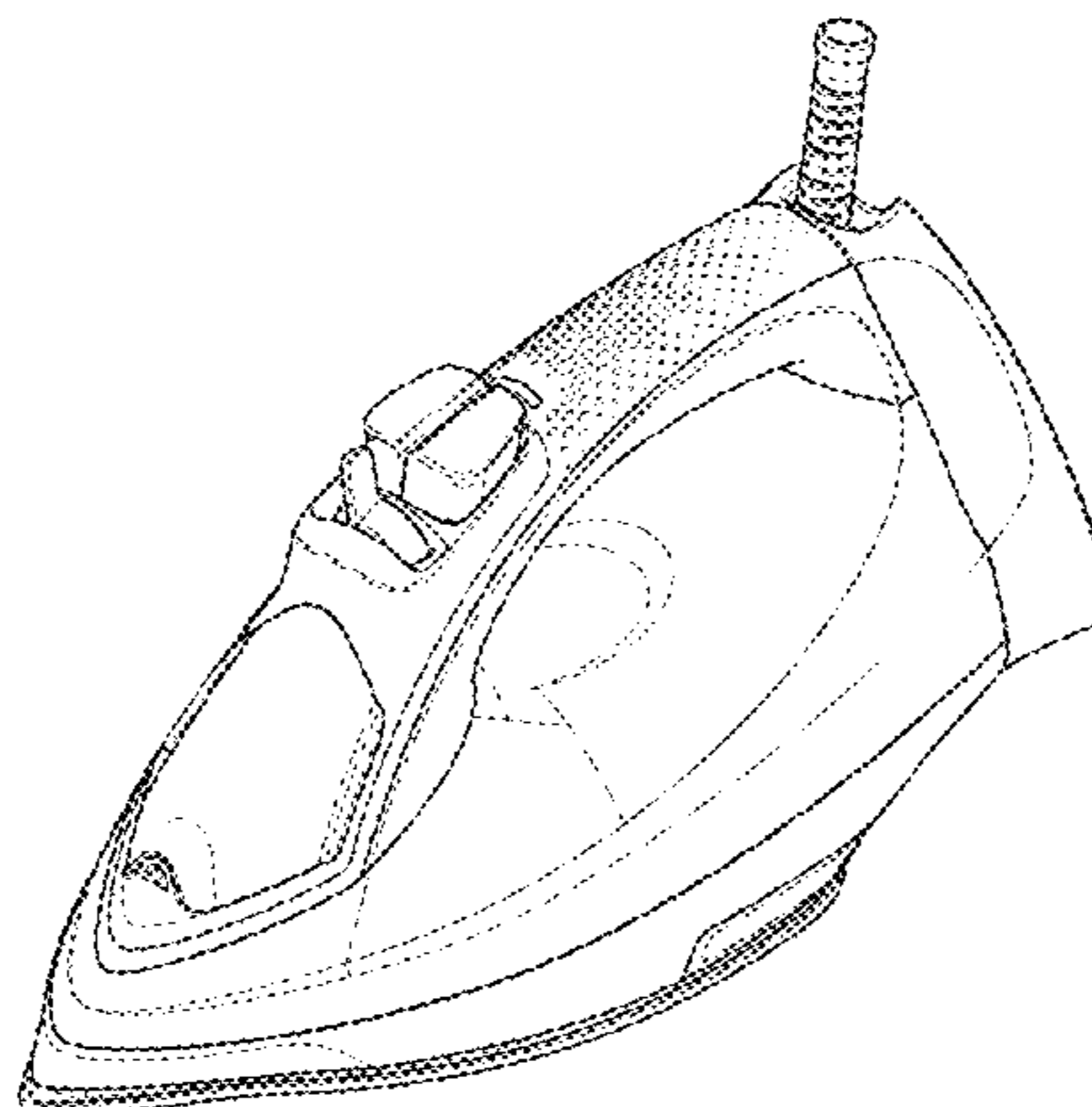
(57) **CLAIM**

The ornamental design for an electric steam iron, as shown and described.

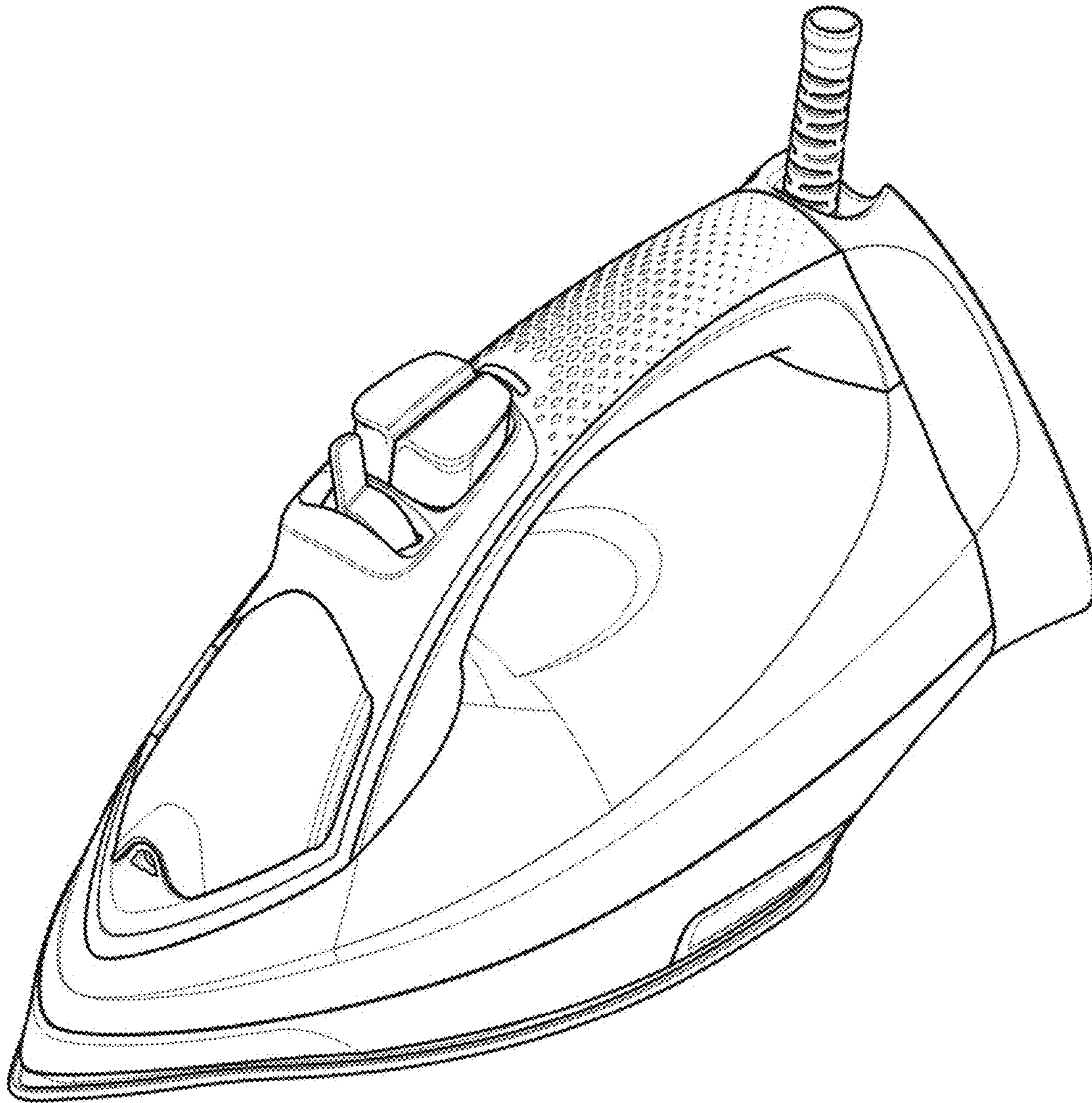
DESCRIPTION

1. Electric steam iron
- 1.1—Top front left perspective view;
- 1.2—Front view;
- 1.3—Rear view;
- 1.4—Left side view;
- 1.5—Right side view;
- 1.6—Top plan view;
- 1.7—Bottom plan view.

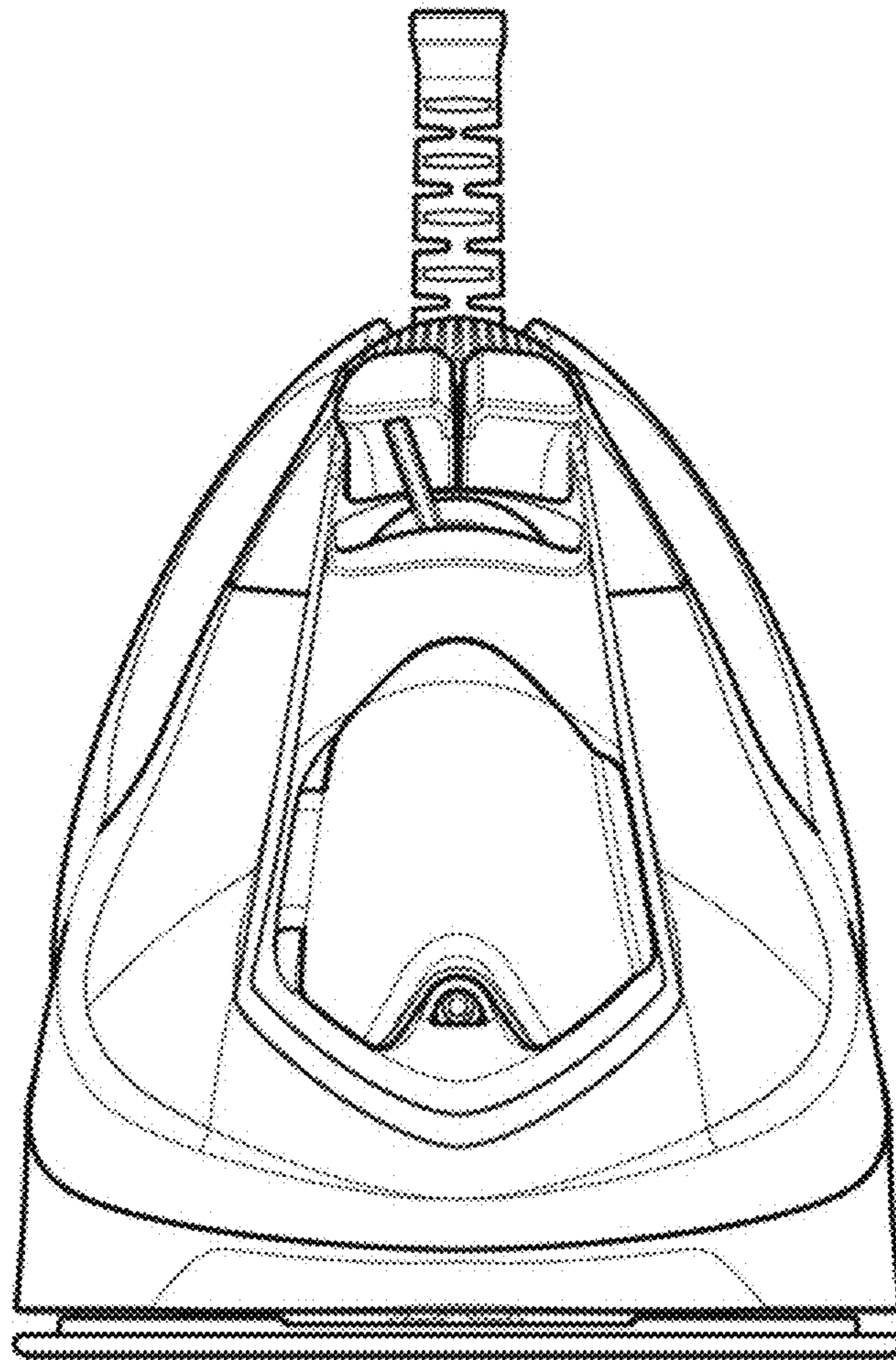
1 Claim, 7 Drawing Sheets



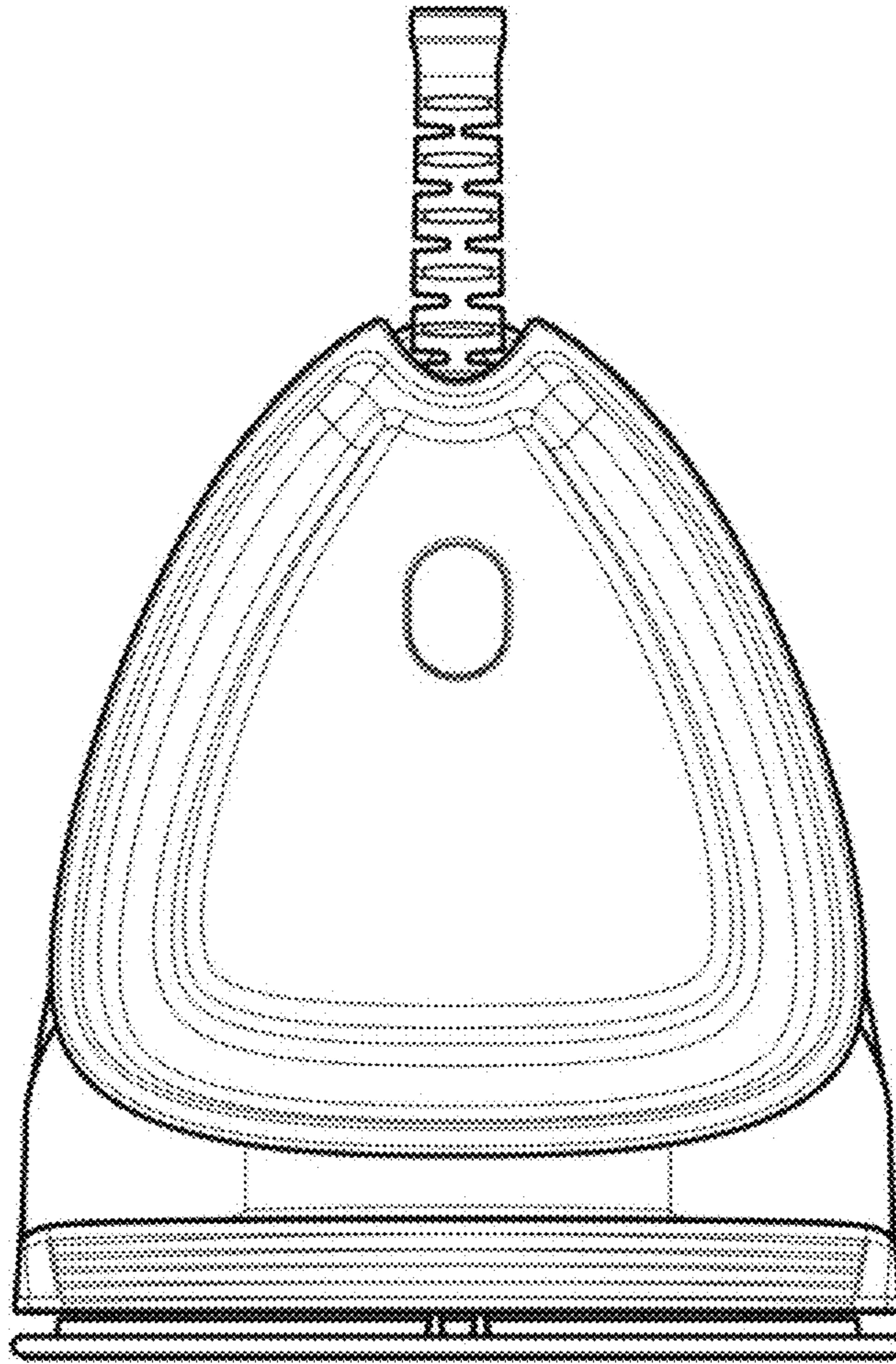
1.1



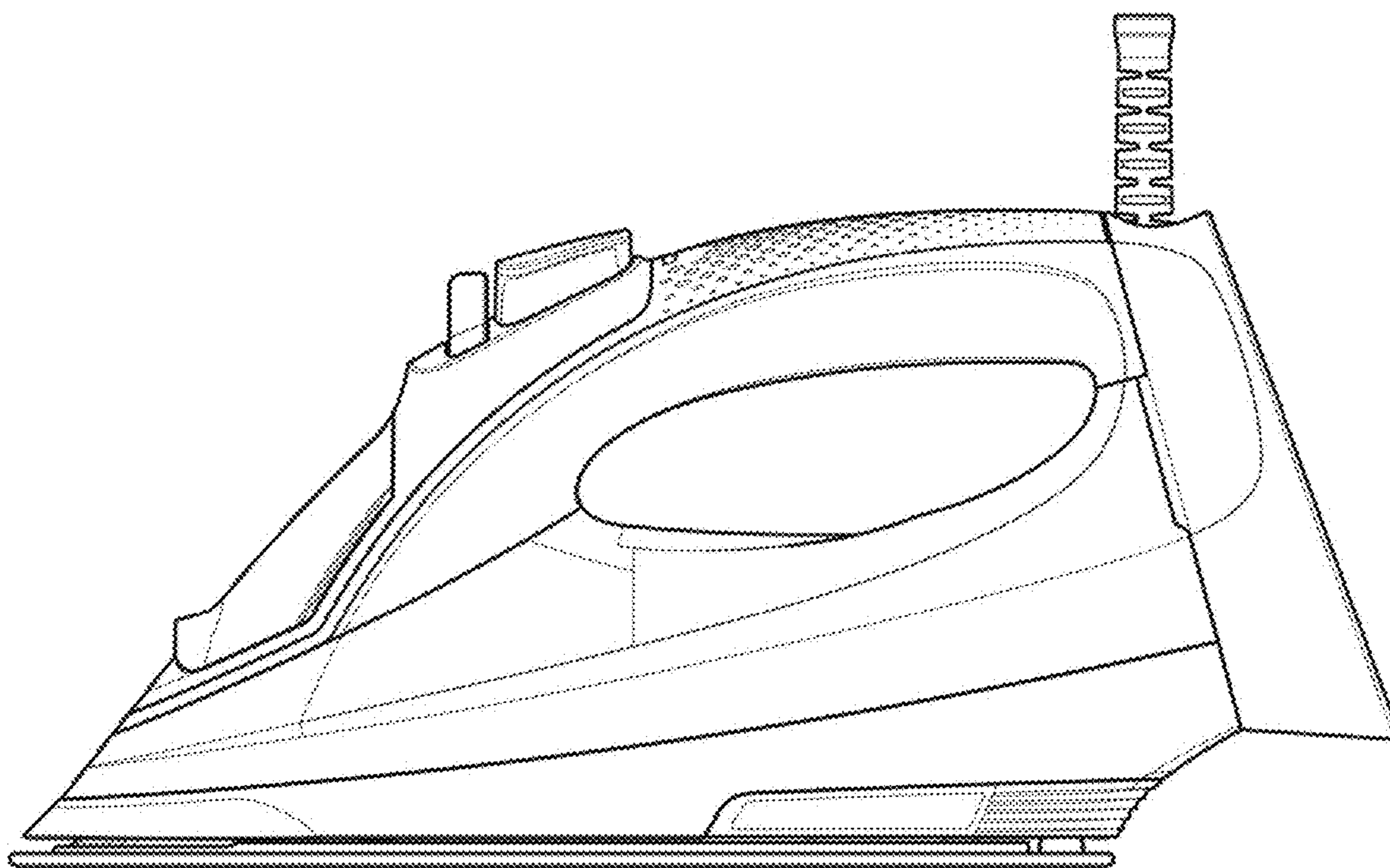
1.2



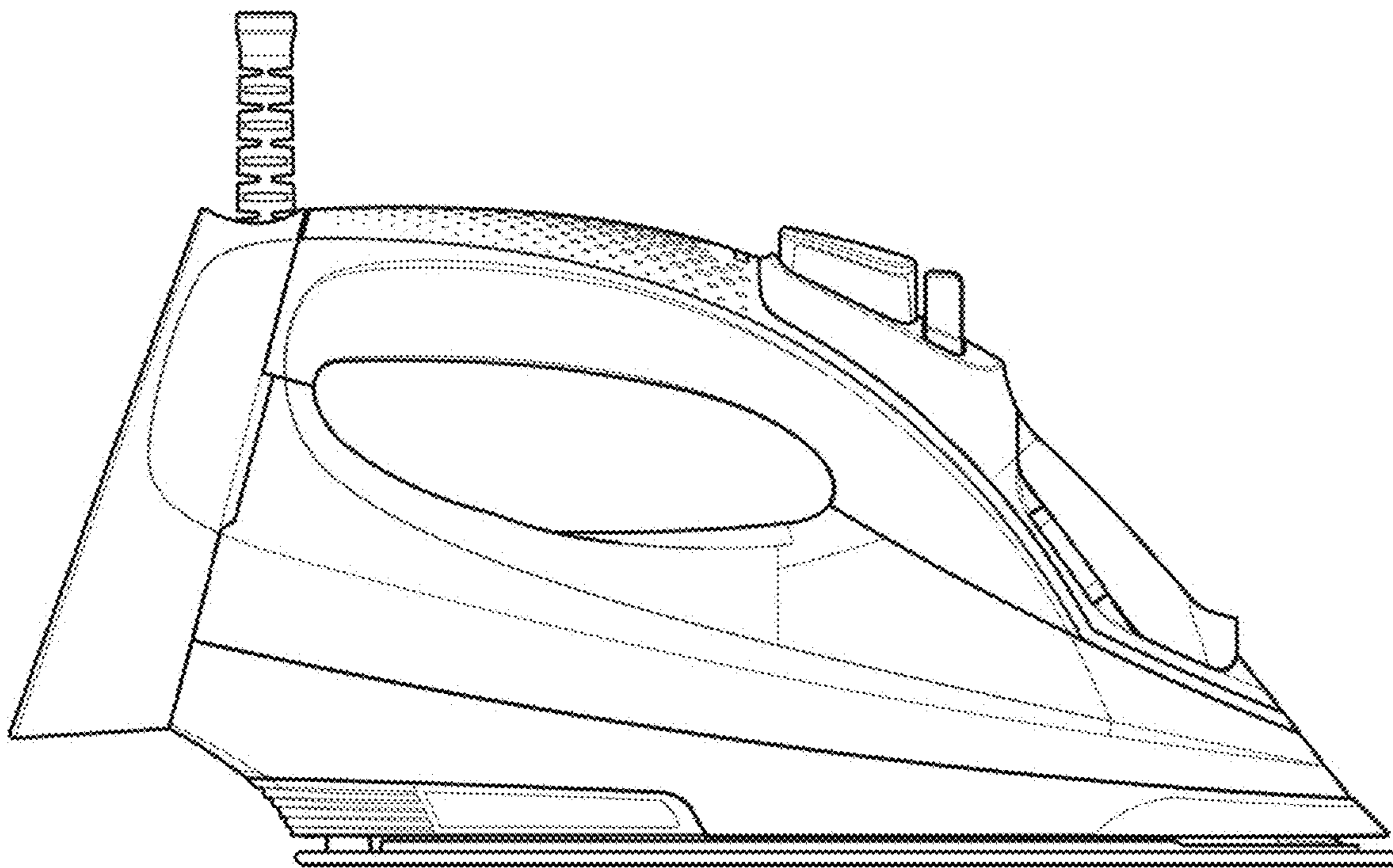
1.3



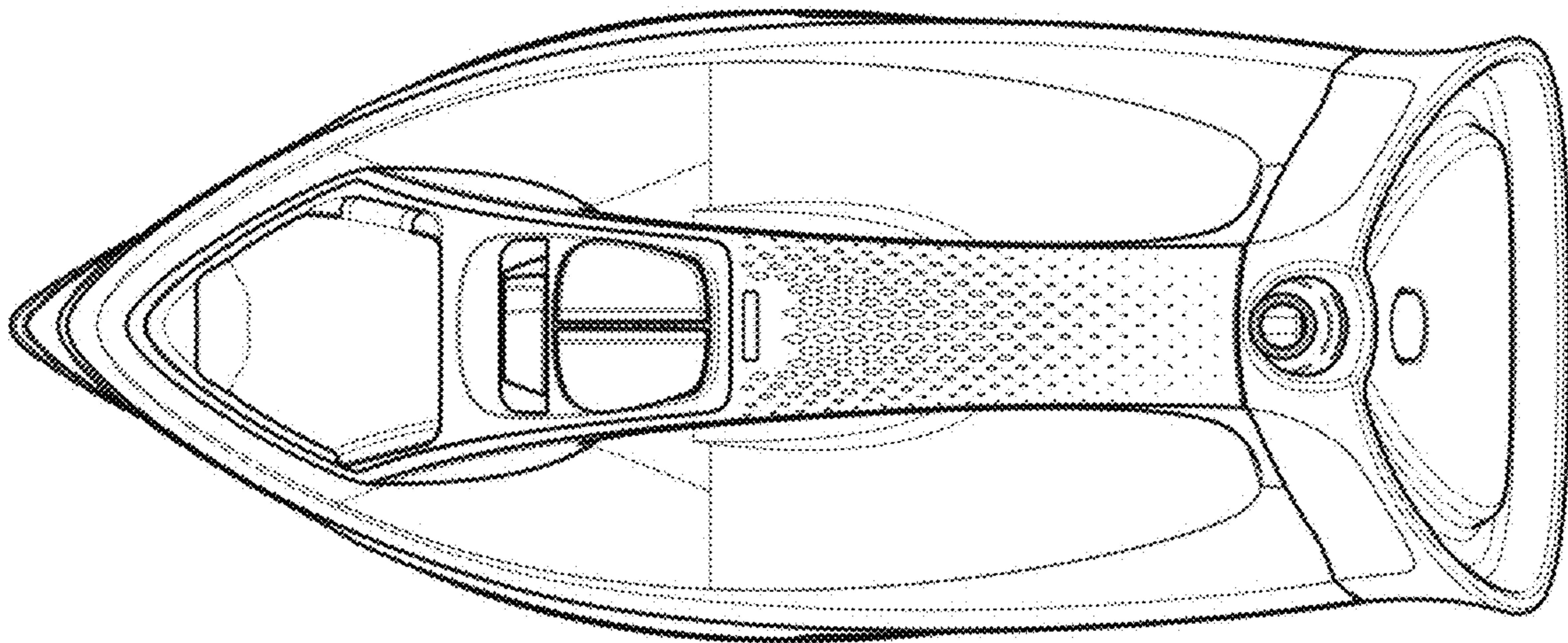
1.4



1.5



1.6



1.7

