



US00D835869S

(12) **United States Design Patent**  
**Li**

(10) **Patent No.:** **US D835,869 S**

(45) **Date of Patent:** **\*\* Dec. 11, 2018**

(54) **CLEANING ROBOT**

(71) Applicant: **GuangDong BONA Robot Co., Ltd,**  
Shenzhen (CN)

(72) Inventor: **Guihua Li,** Shenzhen (CN)

(73) Assignee: **GuangDong BONA Robot Co., Ltd,**  
Shenzhen (CN)

(\*\*) Term: **15 Years**

(21) Appl. No.: **29/615,193**

(22) Filed: **Aug. 27, 2017**

(30) **Foreign Application Priority Data**

Jun. 14, 2017 (CN) ..... 2017 3 0243658

(51) **LOC (11) Cl.** ..... **15-05**

(52) **U.S. Cl.**  
USPC ..... **D32/21**

(58) **Field of Classification Search**  
USPC ..... D32/21-24, 31  
CPC ..... E04H 4/1654; A47L 9/2842; A47L 9/26;  
A47L 9/325; A47L 9/009; A47L 11/34;  
A47L 5/362; A47L 5/365; A47L 7/0004;  
A47L 7/0019

See application file for complete search history.

(56) **References Cited**

**U.S. PATENT DOCUMENTS**

D548,902 S \* 8/2007 Chun ..... D32/21  
D665,547 S \* 8/2012 Nam ..... D32/21  
D669,235 S \* 10/2012 Bassett ..... D32/21  
D670,877 S \* 11/2012 Geringer ..... D32/21

D690,478 S \* 9/2013 Li ..... D32/21  
D703,397 S \* 4/2014 Sungkyung ..... D32/21  
D714,002 S \* 9/2014 Casini ..... D32/21  
D714,003 S \* 9/2014 Casini ..... D32/21  
D715,504 S \* 10/2014 Deoksang ..... D32/21  
D771,884 S \* 11/2016 Ninomiya ..... D32/21  
9,931,007 B2 \* 4/2018 Morin ..... A47L 9/1683

\* cited by examiner

*Primary Examiner* — Ruth McInroy

(74) *Attorney, Agent, or Firm* — Gokalp Bayramoglu

(57) **CLAIM**

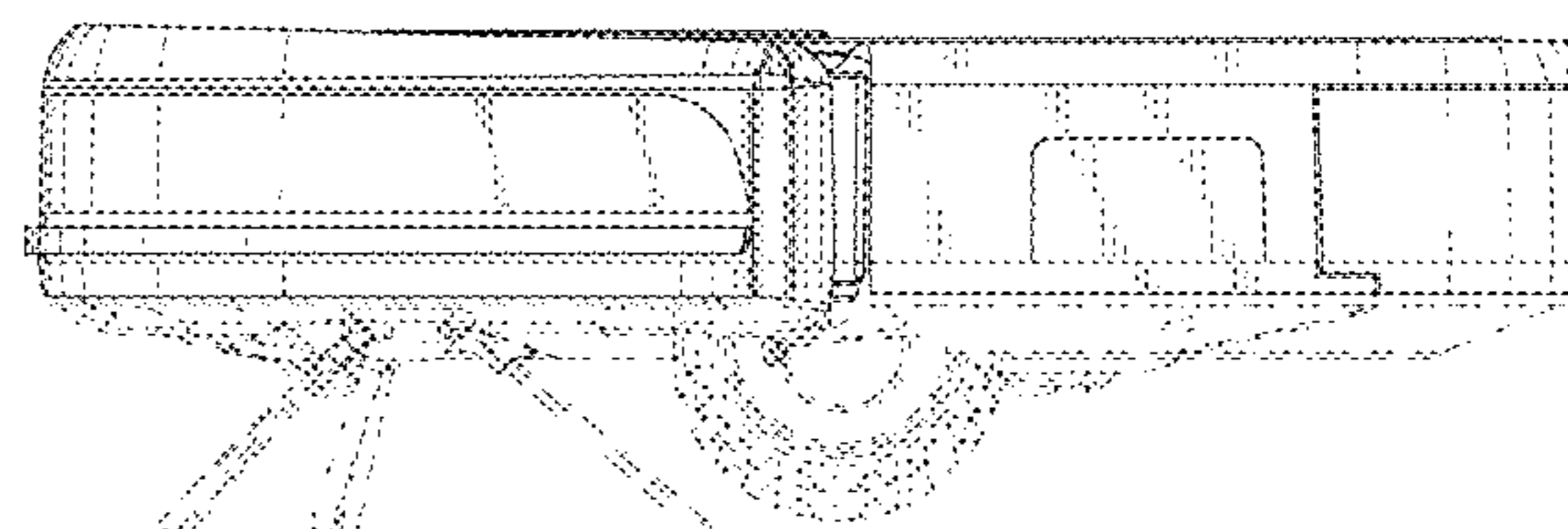
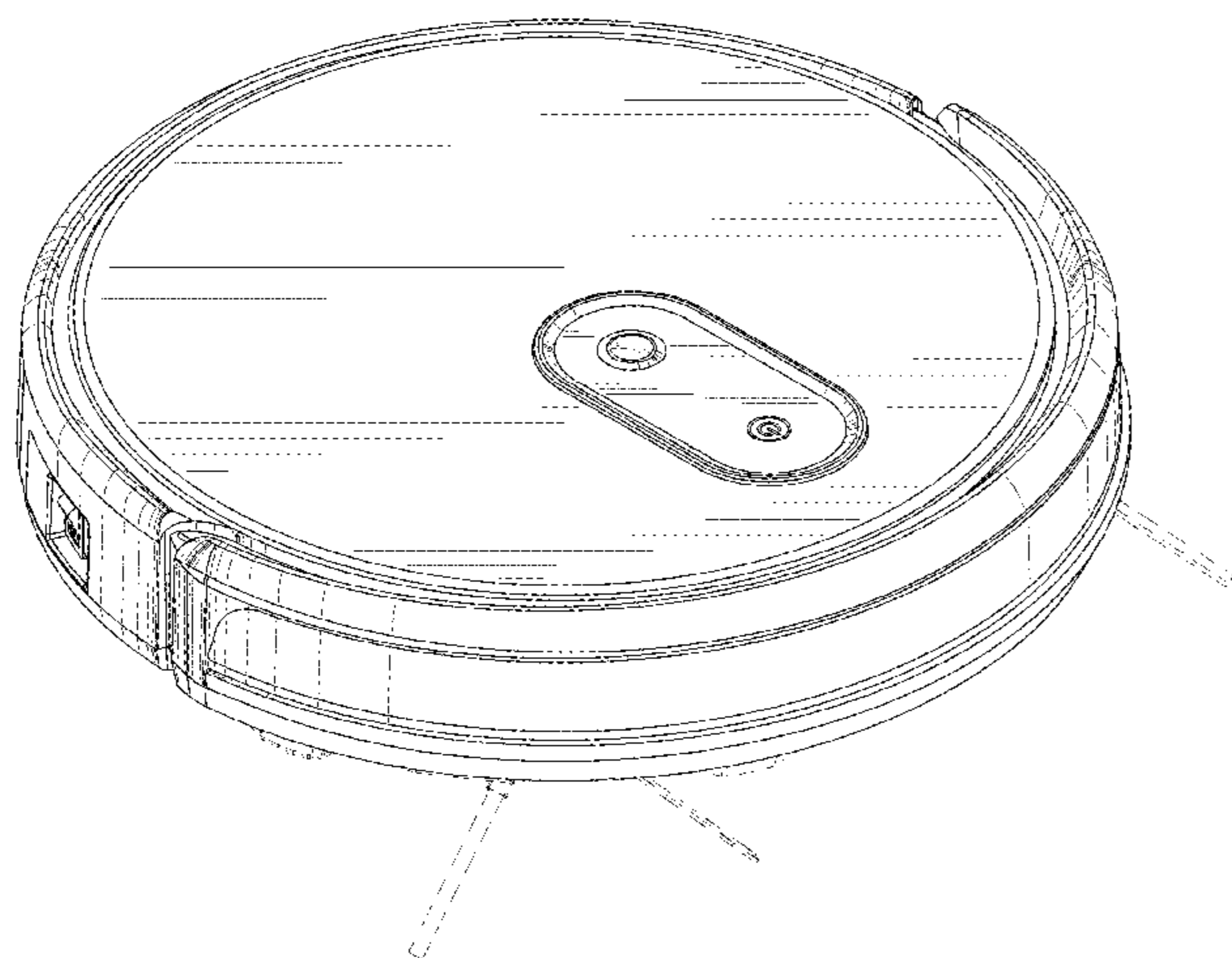
The ornamental design for a cleaning robot, as shown and described.

**DESCRIPTION**

FIG. 1 is a perspective view of a first embodiment of the cleaning robot showing my new design;  
FIG. 2 is a front view thereof;  
FIG. 3 is a right view thereof;  
FIG. 4 is a left view thereof;  
FIG. 5 is a top view thereof;  
FIG. 6 is a bottom view thereof;  
FIG. 7 is a perspective view of a second embodiment of the cleaning robot;  
FIG. 8 is a front view thereof;  
FIG. 9 is a right view thereof;  
FIG. 10 is a left view thereof;  
FIG. 11 is a top view thereof; and,  
FIG. 12 is a bottom view thereof.

The details shown in broken lines form no part of the claimed design.

**1 Claim, 12 Drawing Sheets**



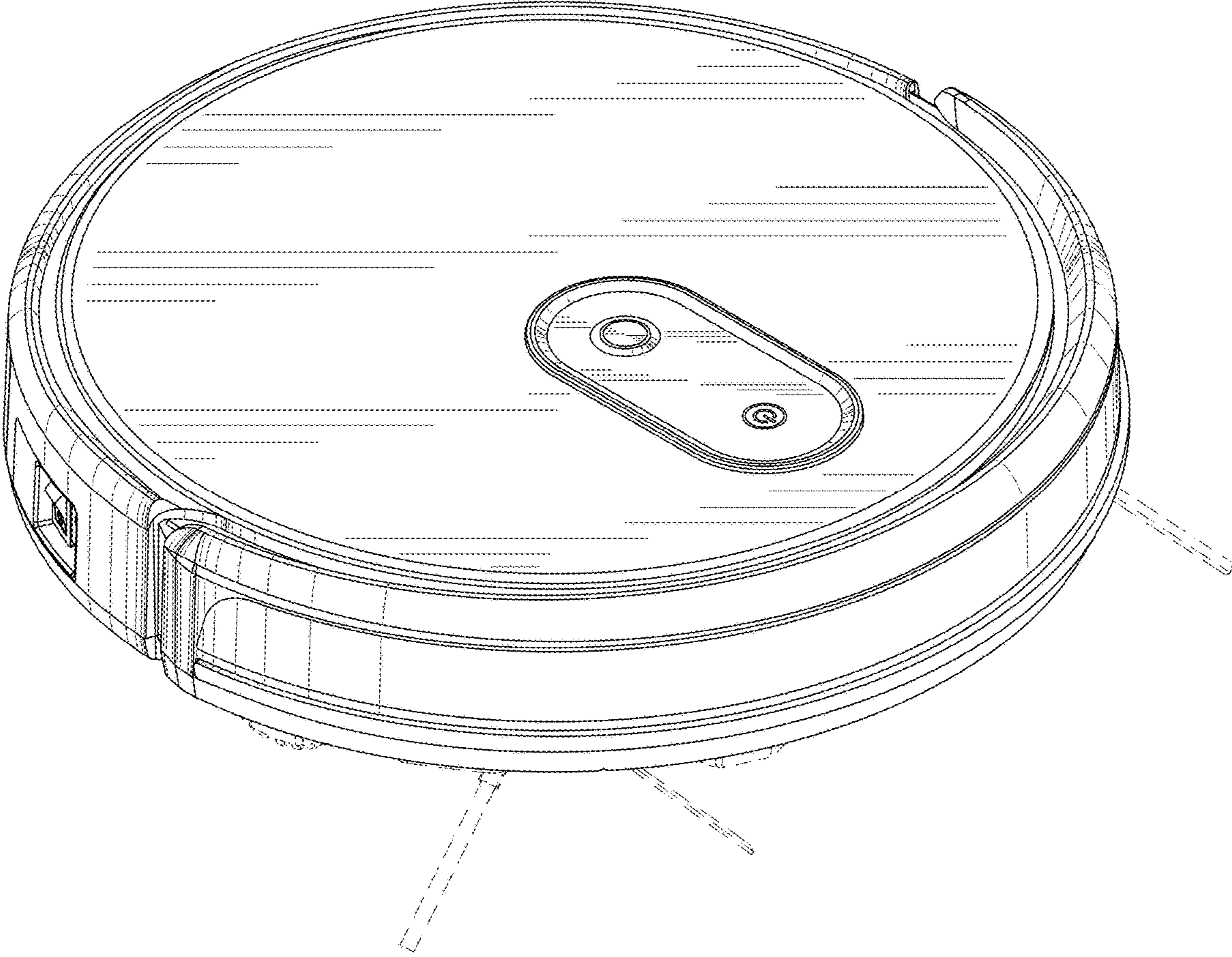


Figure 1

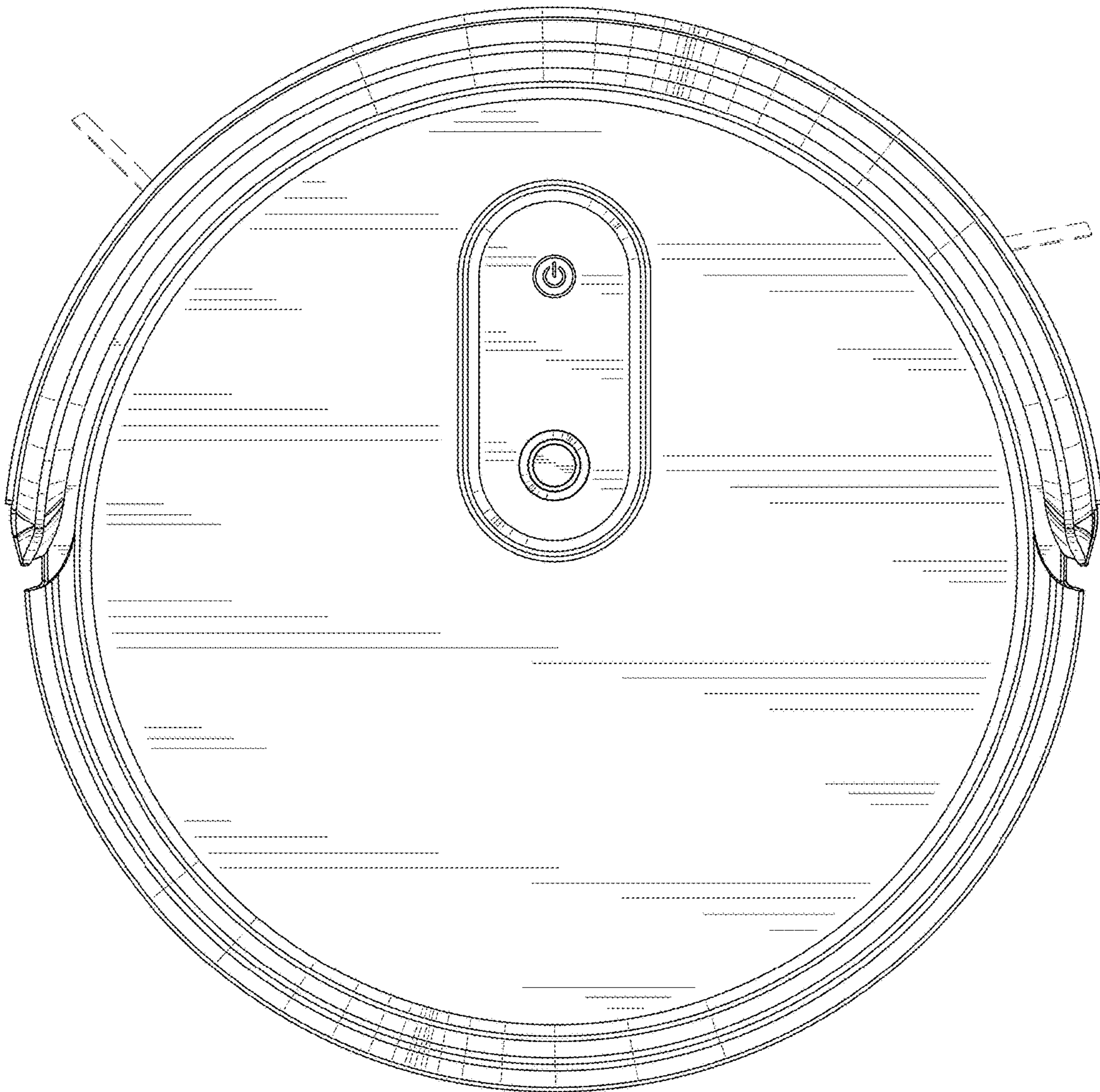


Figure 2

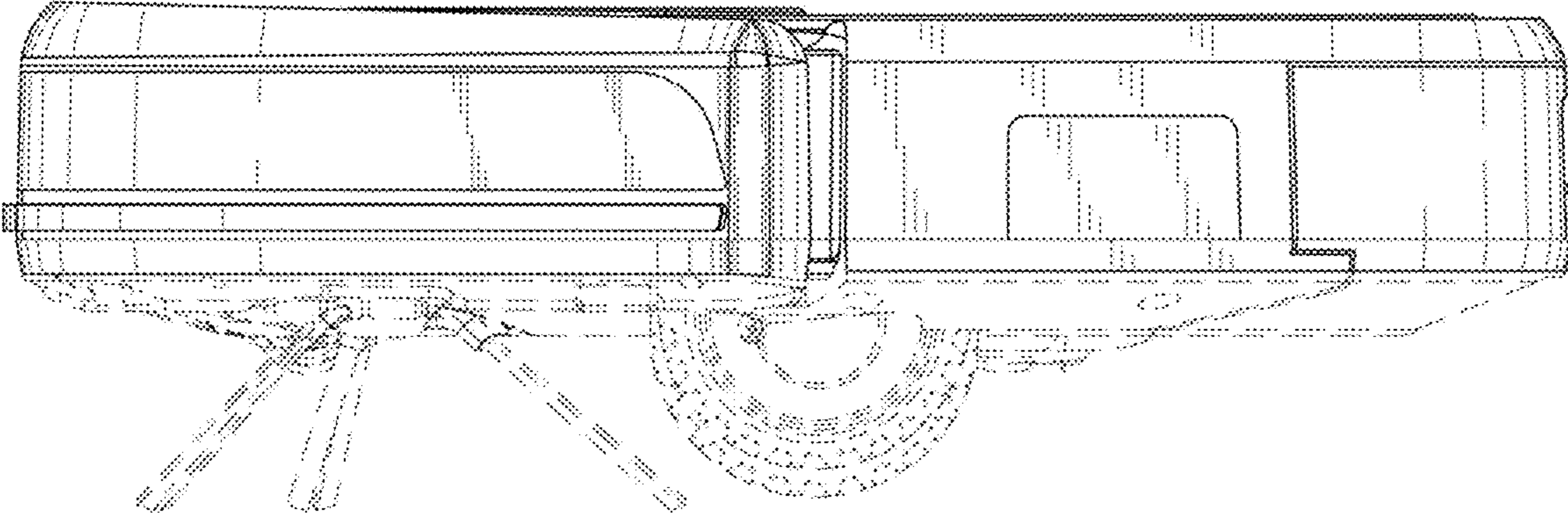


Figure 3

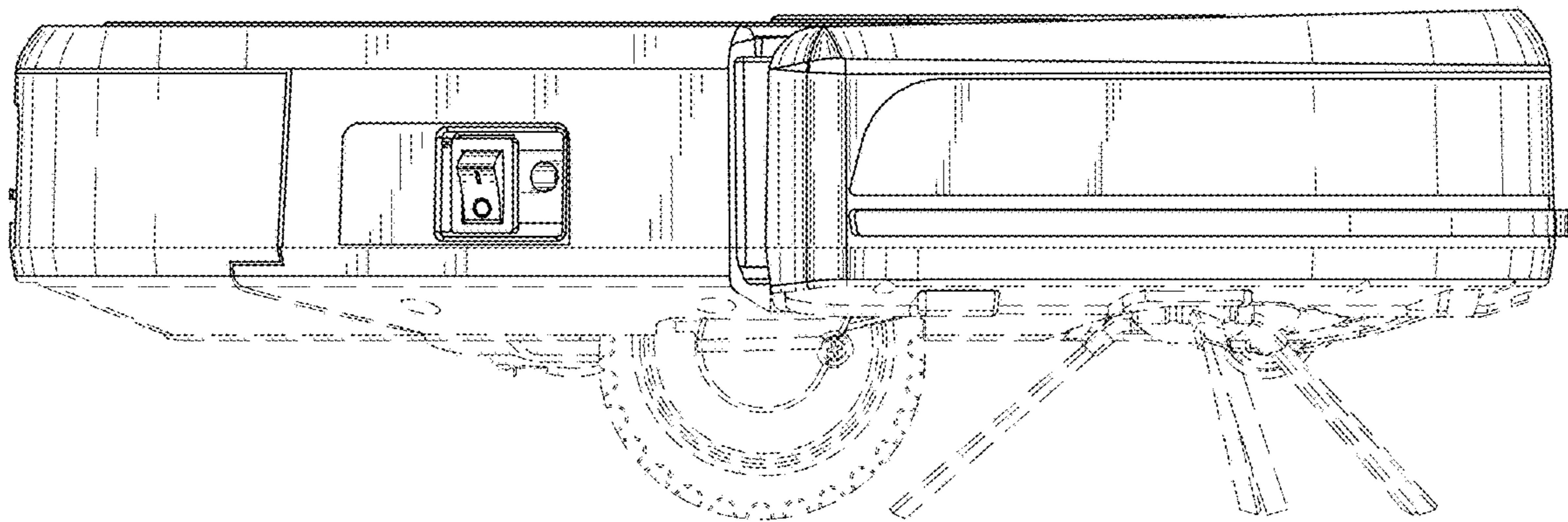


Figure 4

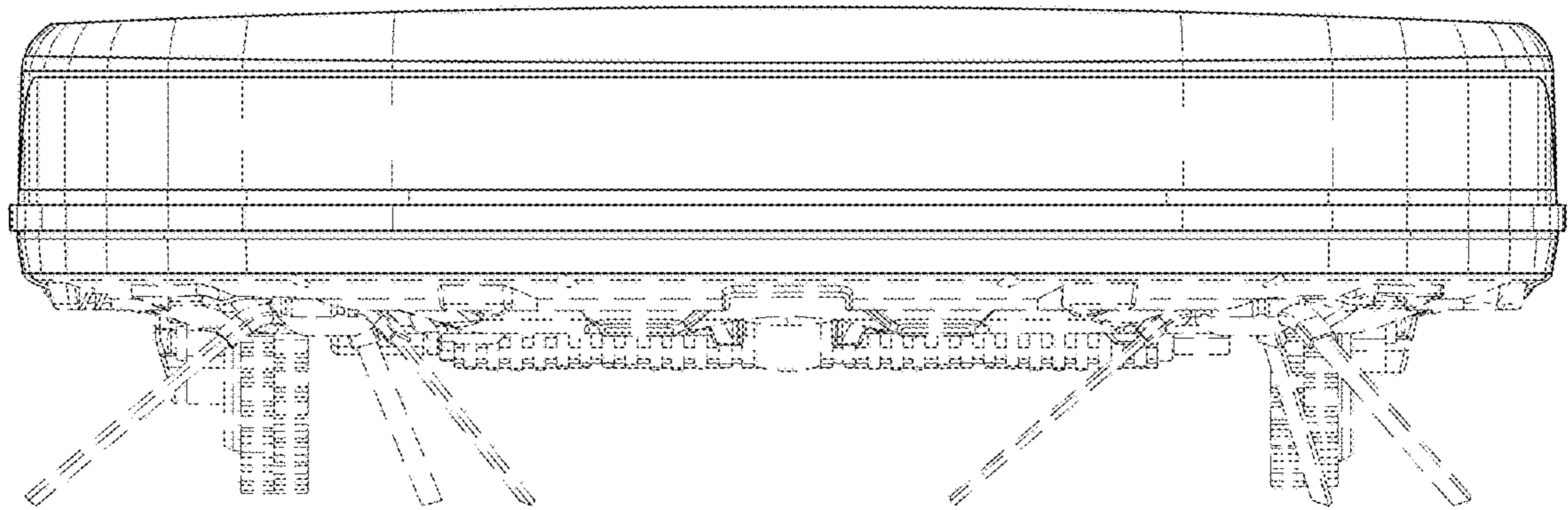


Figure 5

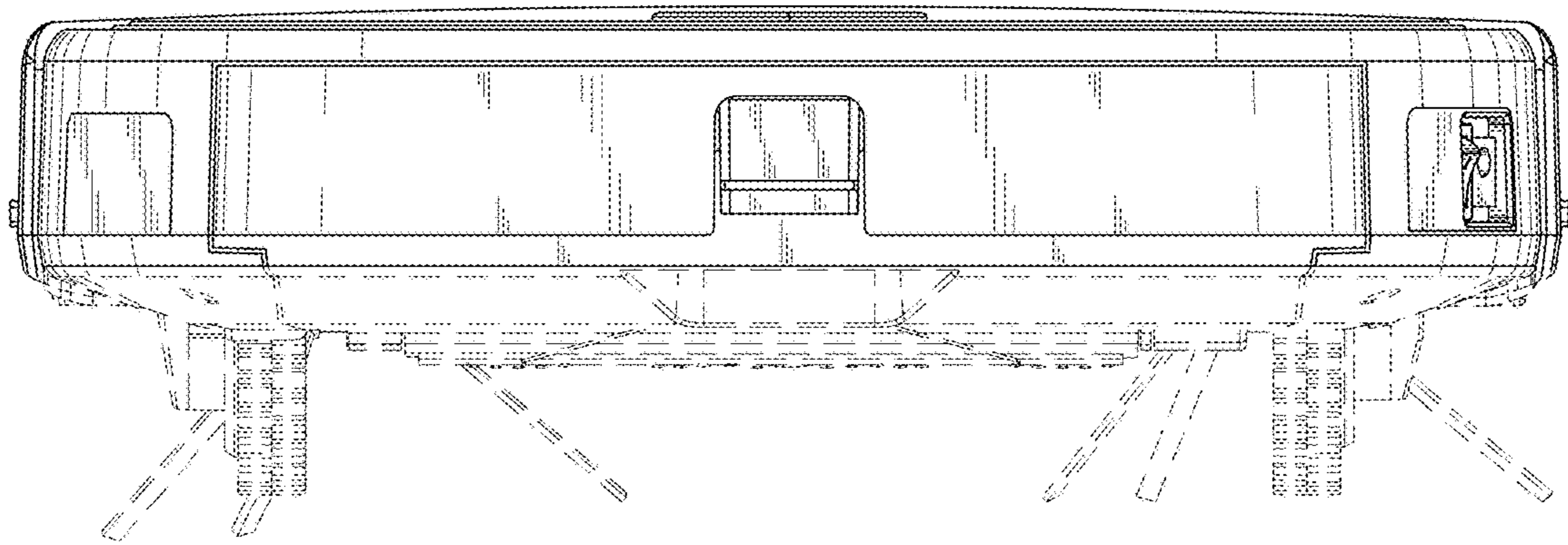


Figure 6

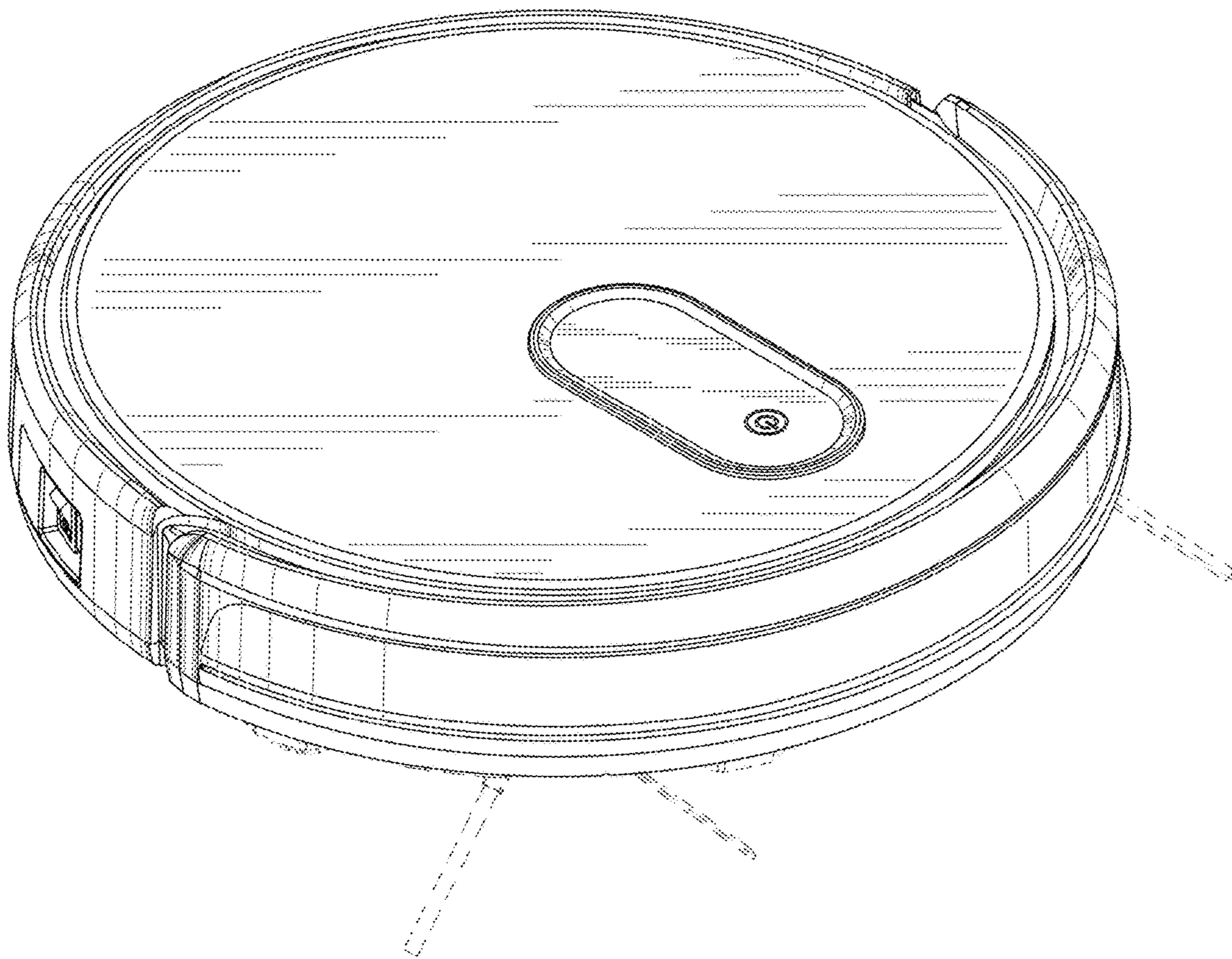


Figure 7



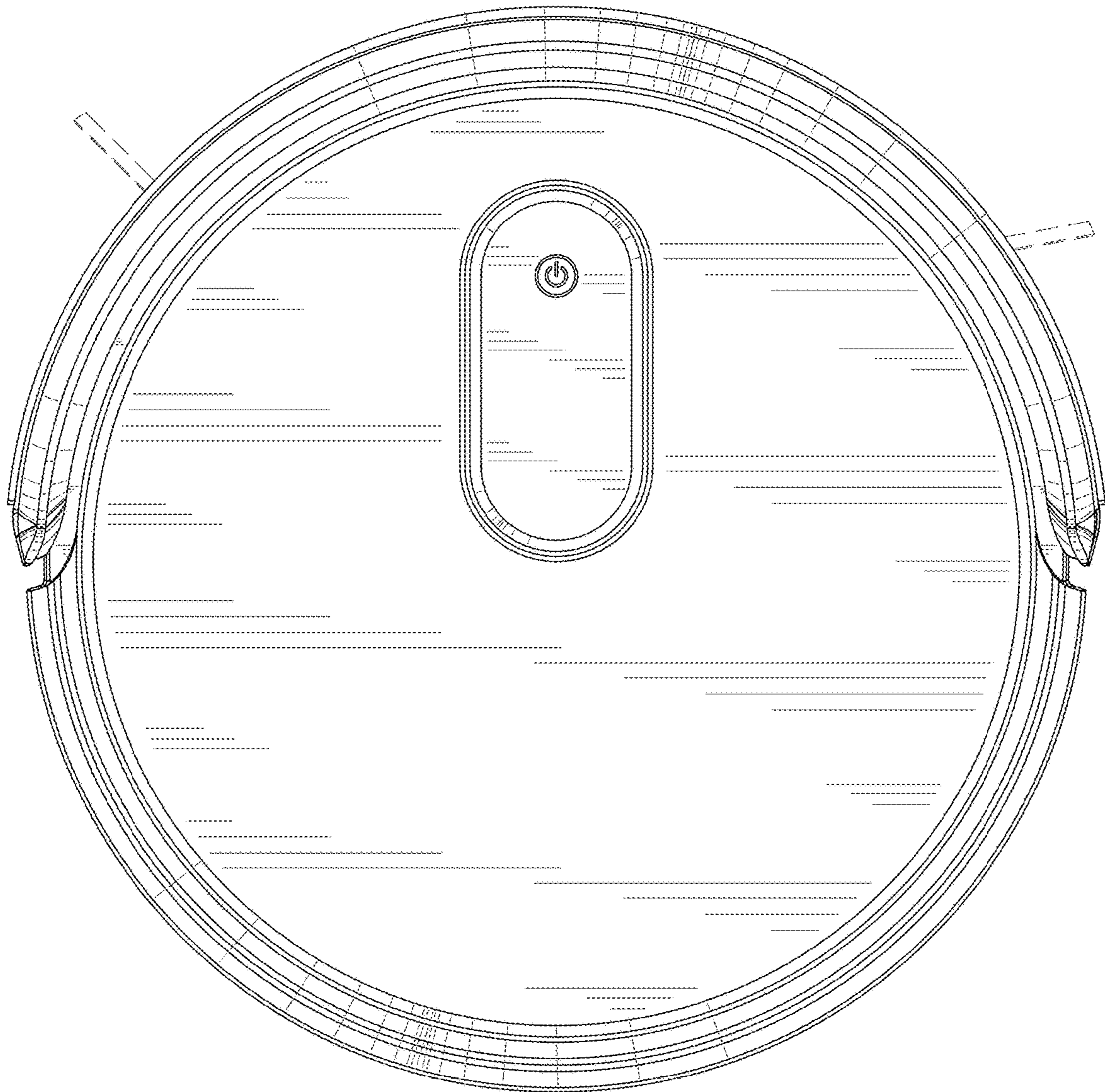


Figure 8

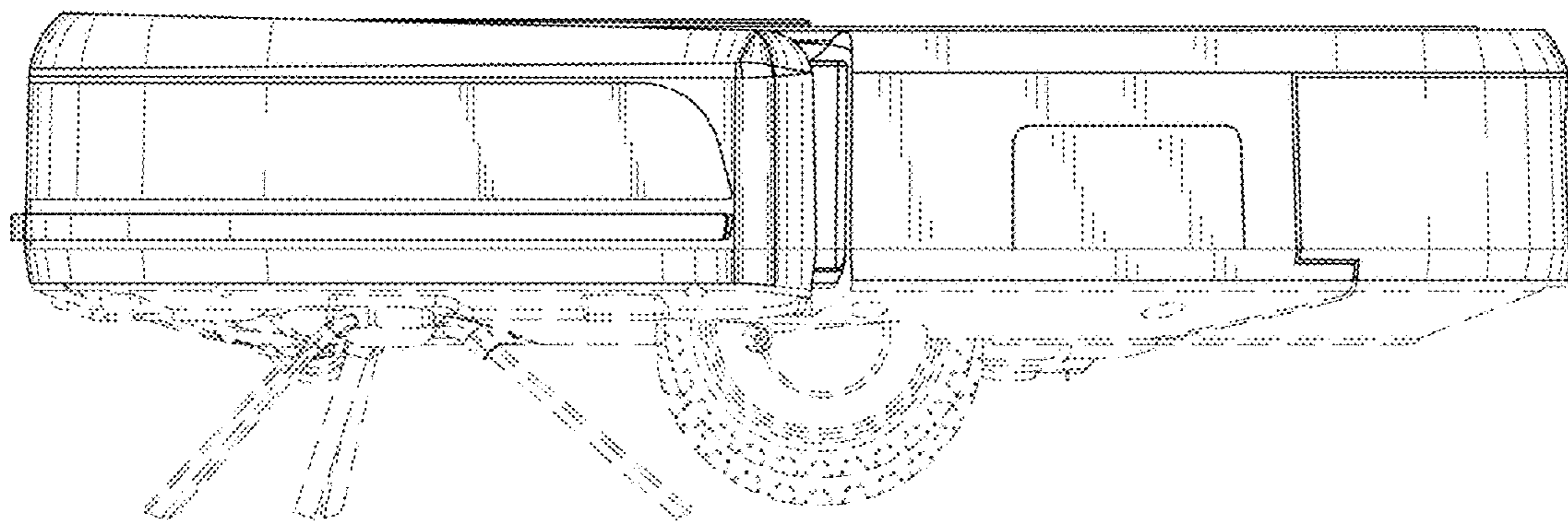


Figure 9

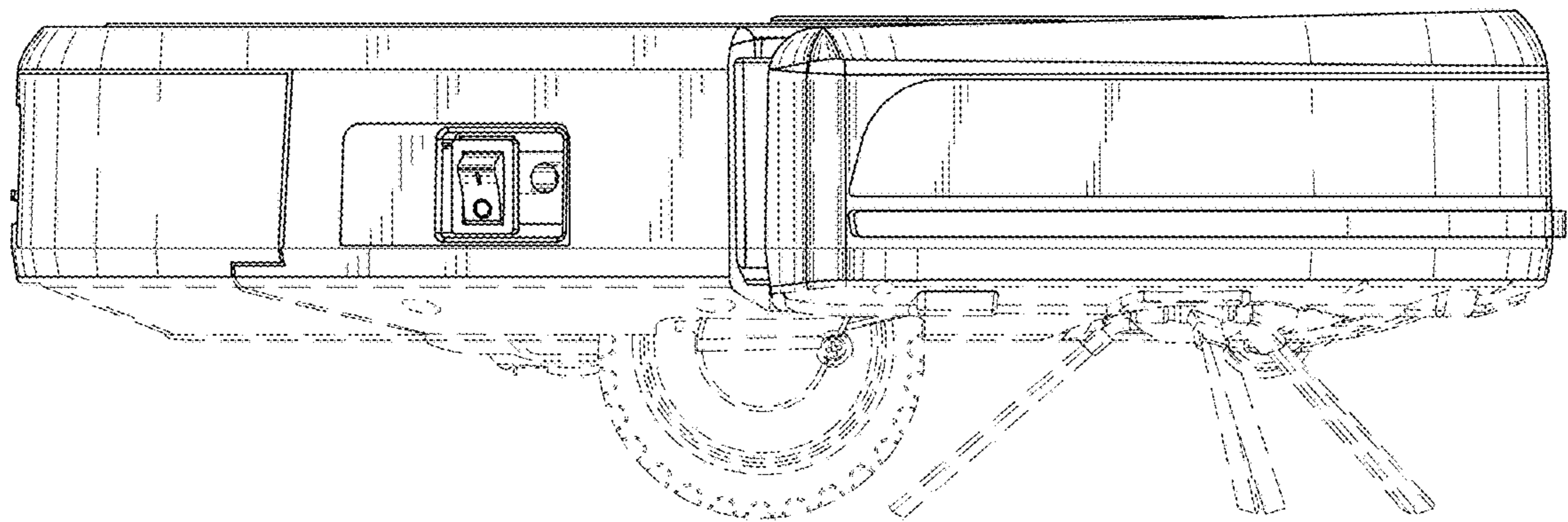


Figure 10

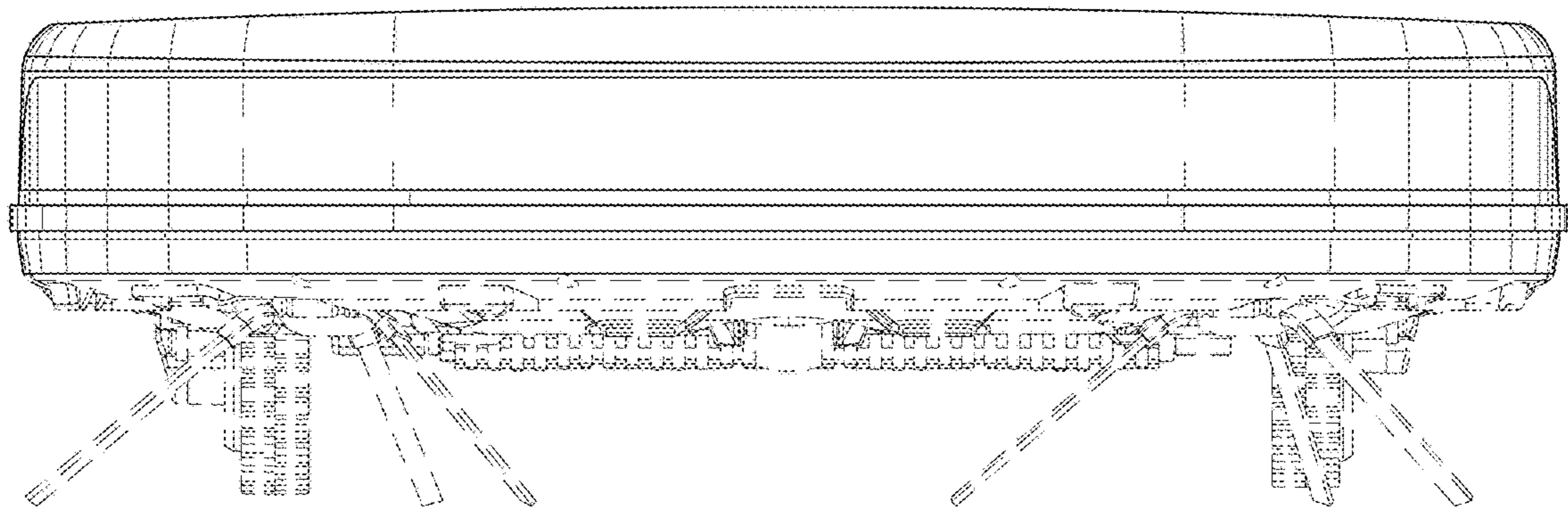


Figure 11

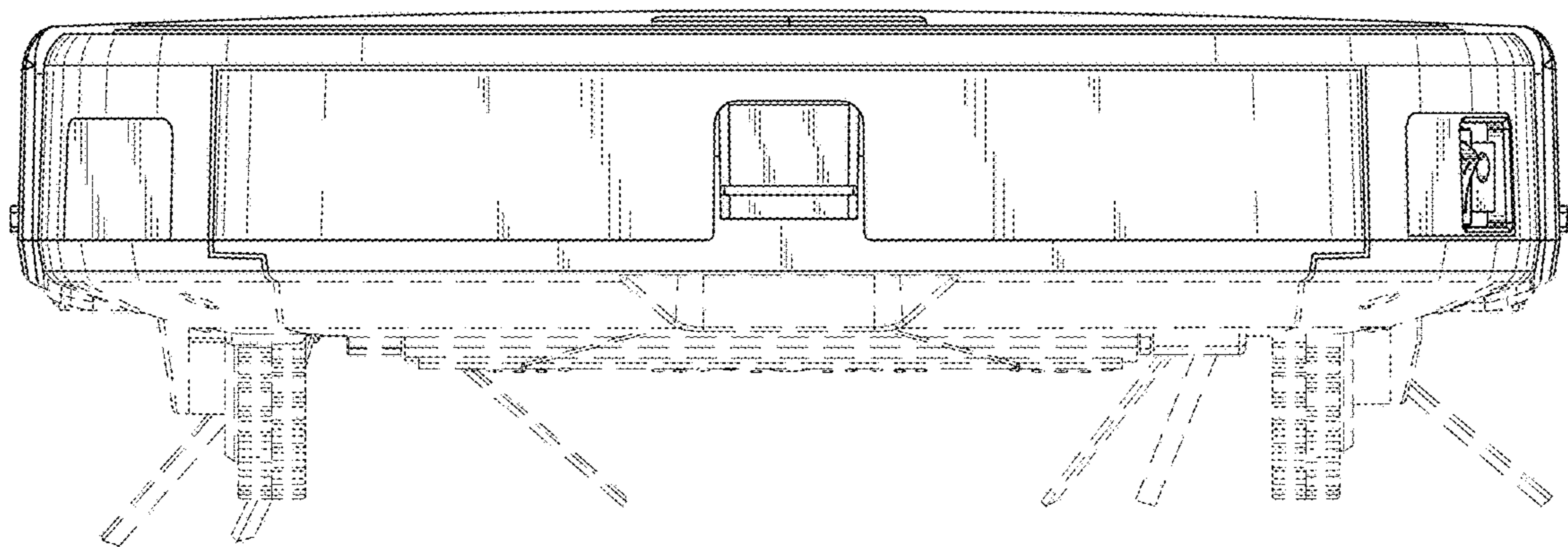


Figure 12