



US00D835868S

(12) **United States Design Patent**
Lee et al.

(10) **Patent No.:** **US D835,868 S**
(45) **Date of Patent:** **** Dec. 11, 2018**

(54) **CLEANER**

(71) Applicant: **Samsung Electronics Co., Ltd.**,
Suwon-si (KR)

(72) Inventors: **Sungjae Lee**, Gwangmyeong-si (KR);
Hyounsub Choi, Goyang-si (KR)

(73) Assignee: **Samsung Electronics Co., Ltd.**,
Suwon-si (KR)

(**) Term: **15 Years**

(21) Appl. No.: **29/606,704**

(22) Filed: **Jun. 7, 2017**

(30) **Foreign Application Priority Data**

Mar. 2, 2017 (KR) 30-2017-0009917

(51) **LOC (11) Cl.** **15-05**

(52) **U.S. Cl.**
USPC **D32/21**

(58) **Field of Classification Search**

None
See application file for complete search history.

(56) **References Cited**

U.S. PATENT DOCUMENTS

D373,665 S * 9/1996 Nakamura D32/21
D456,101 S * 4/2002 Lee D32/21
D485,653 S * 1/2004 Warburton D32/21

D520,198 S * 5/2006 Sung D32/21
D539,492 S * 3/2007 Konno D32/21
D553,811 S * 10/2007 Shin D32/21
D643,166 S * 8/2011 Lee D32/21
D646,855 S * 10/2011 Kim D32/21
D664,316 S * 7/2012 Kim D32/21
D682,494 S * 5/2013 Kim D32/21
D724,282 S * 3/2015 Irfan D32/21
D762,026 S * 7/2016 Tyler D32/21
D787,762 S * 5/2017 Thackray D32/21

* cited by examiner

Primary Examiner — Ruth McInroy

(74) *Attorney, Agent, or Firm* — NSIP Law

(57) **CLAIM**

We claim the ornamental design for a cleaner, as shown and described.

DESCRIPTION

FIG. 1 is a front perspective view of a cleaner showing our new design;

FIG. 2 is a front view thereof;

FIG. 3 is a rear view thereof;

FIG. 4 is a left-side view thereof;

FIG. 5 is a right-side view thereof;

FIG. 6 is a top view thereof;

FIG. 7 is a bottom view thereof; and,

FIG. 8 is a rear perspective view thereof.

The broken lines in the figures depict environmental subject matter and form no part of the claimed design.

1 Claim, 8 Drawing Sheets

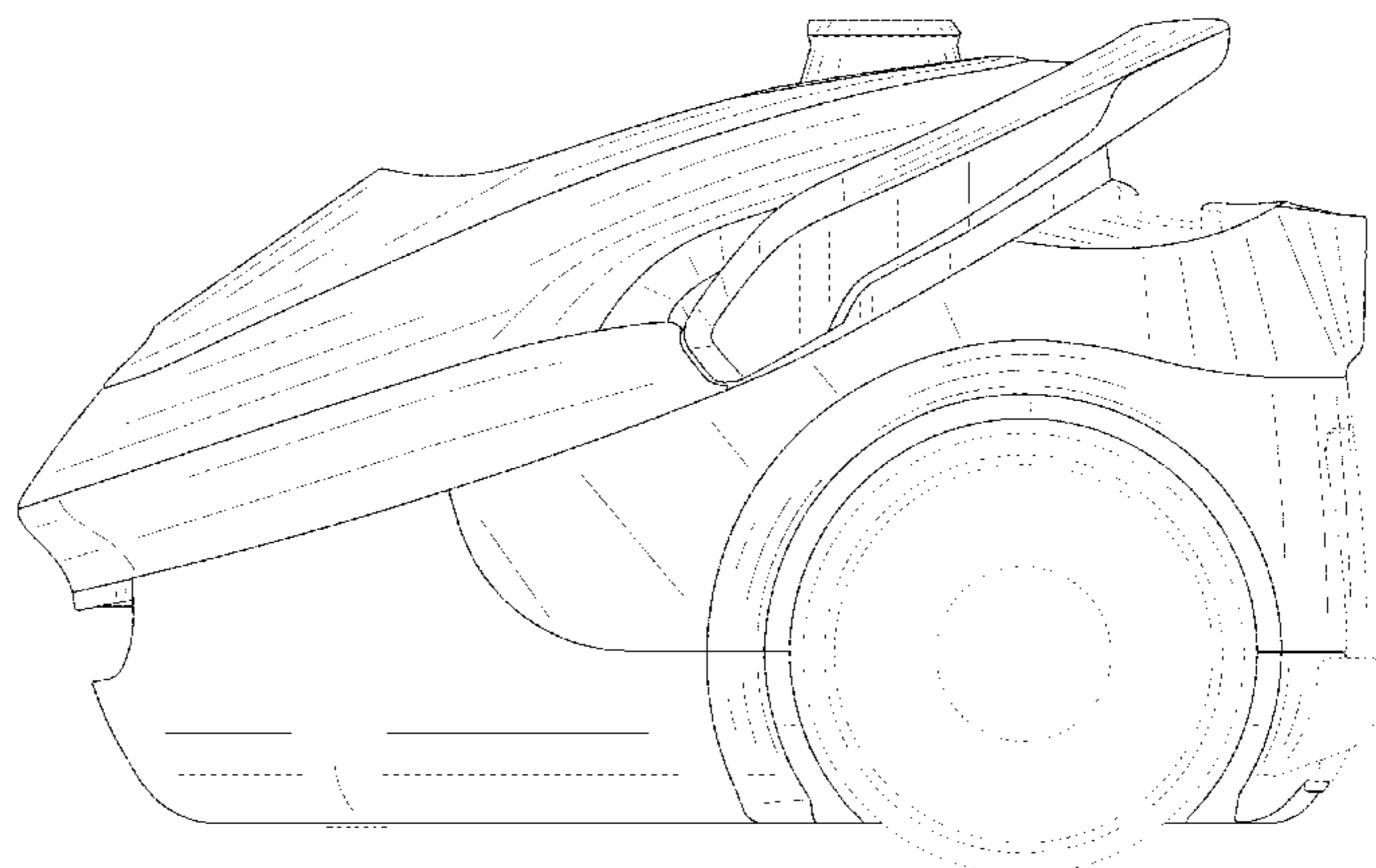
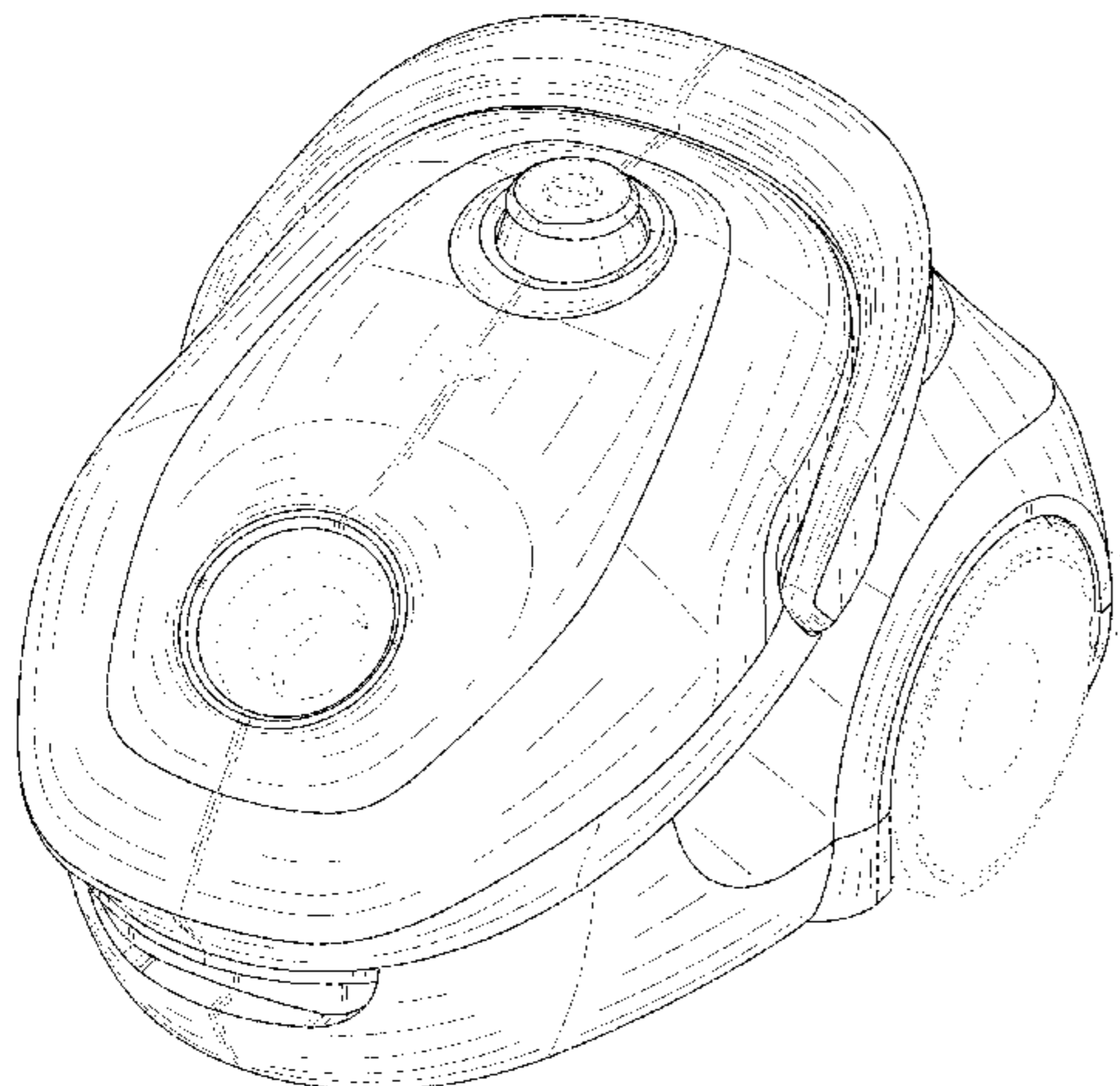


FIG. 1

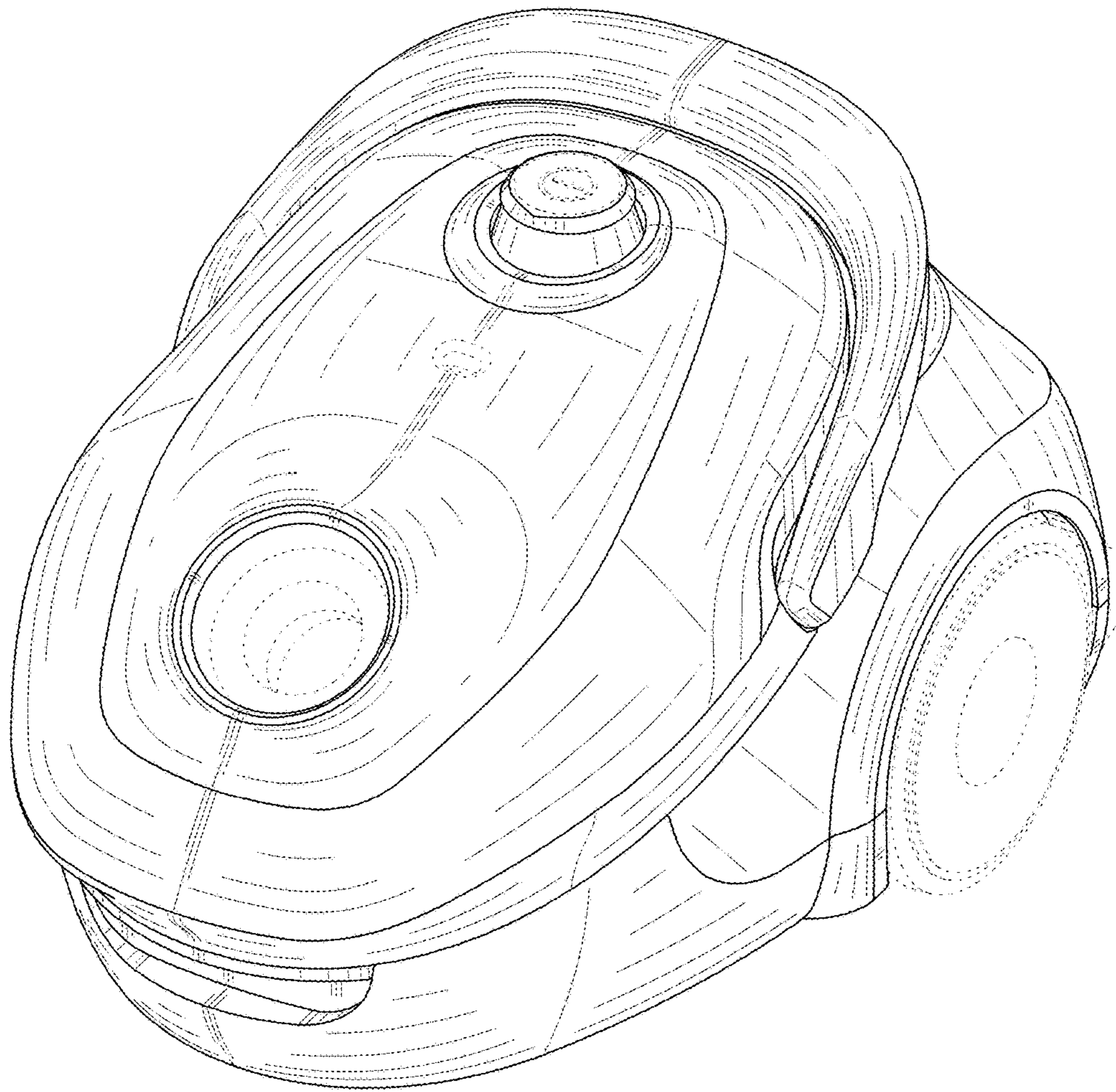


FIG. 2

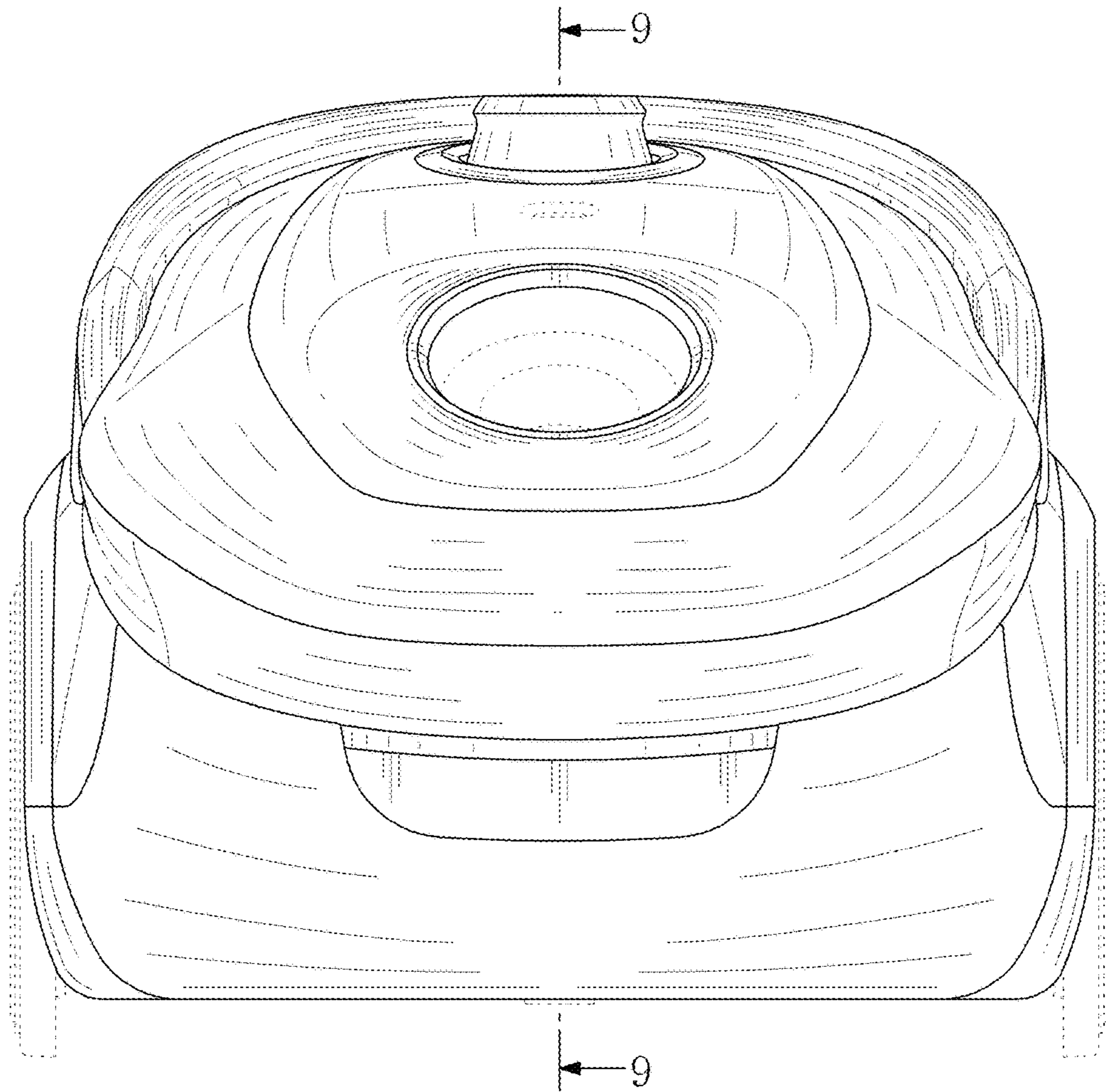


FIG. 3

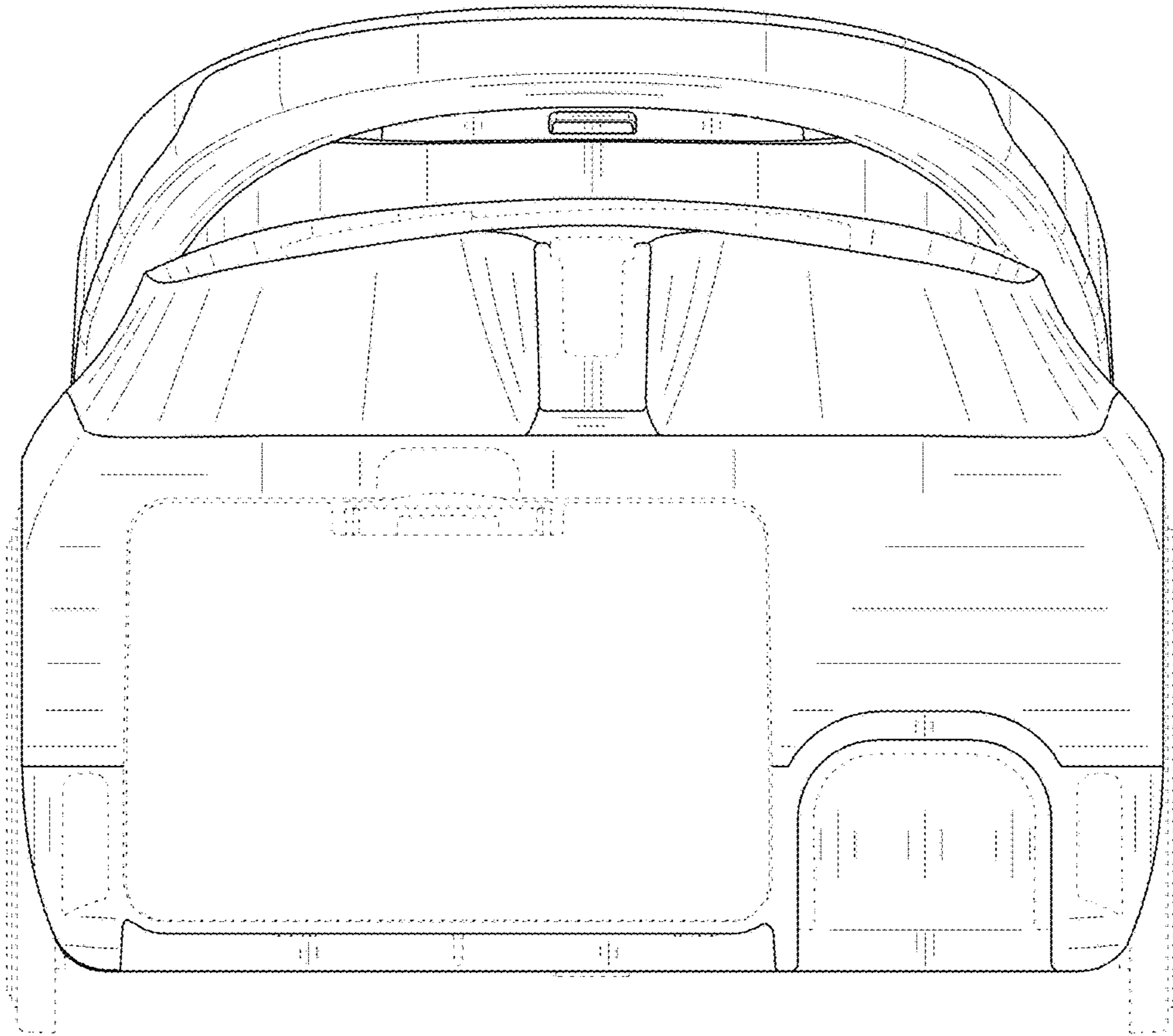


FIG. 4

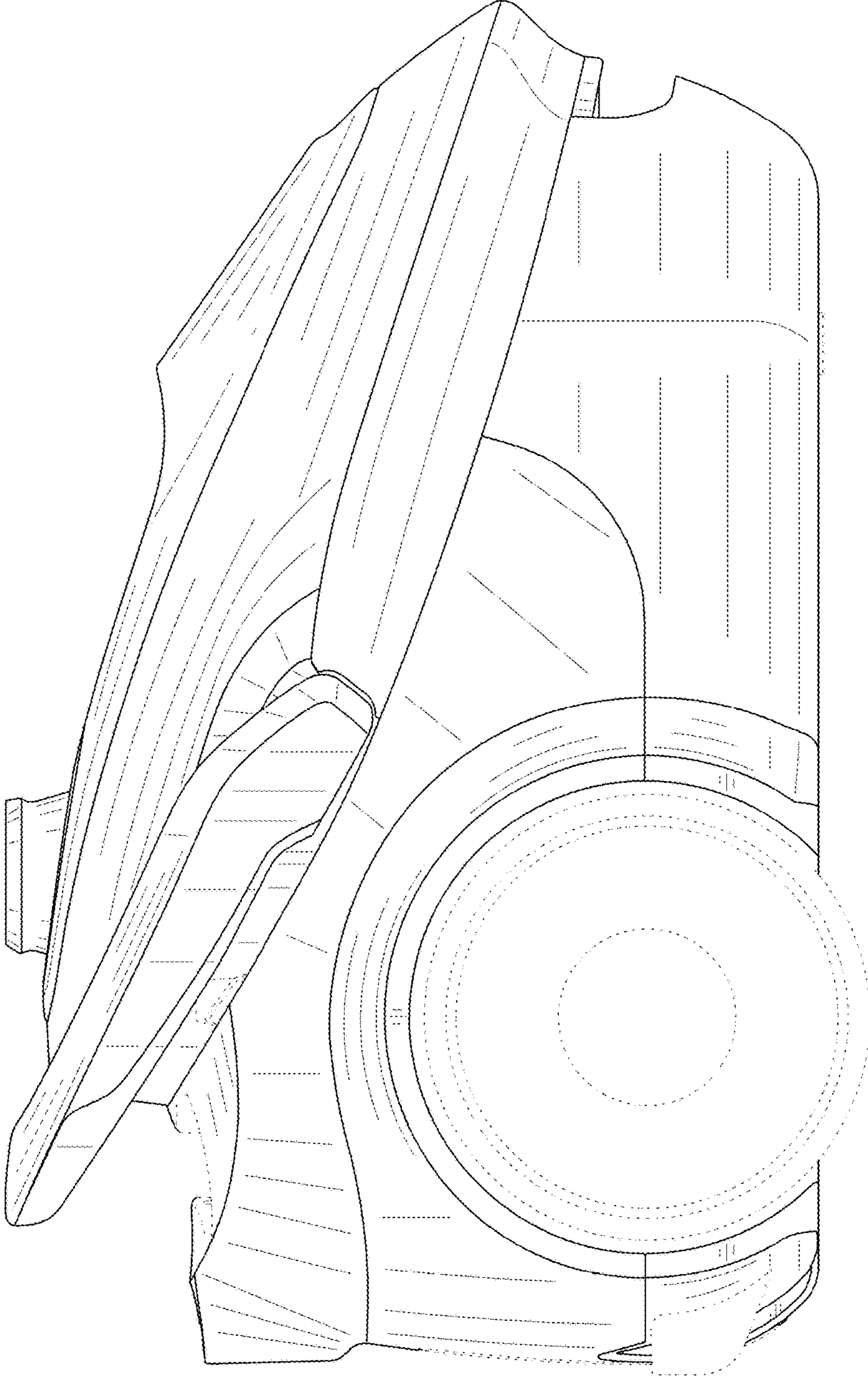


FIG. 5

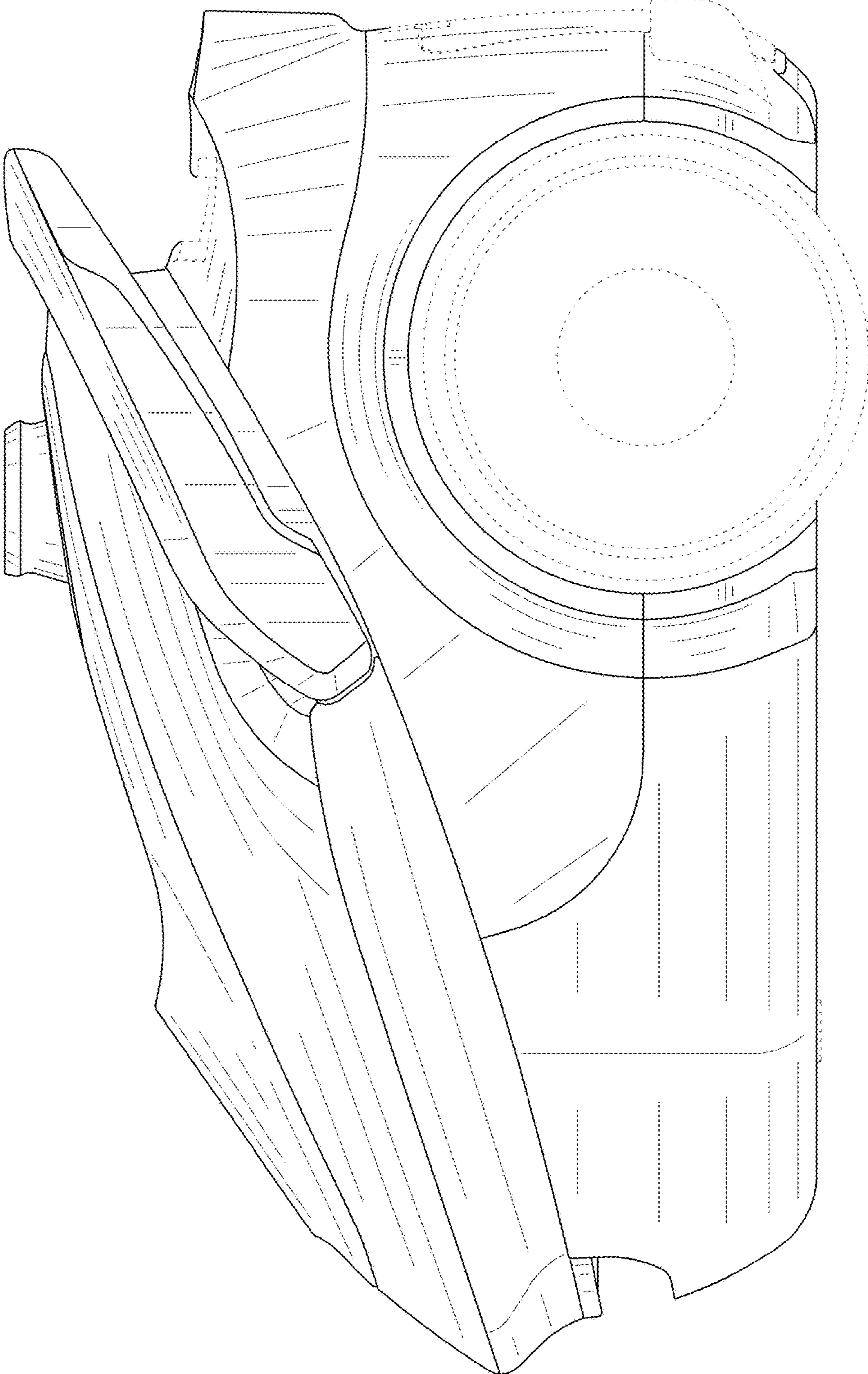


FIG. 6

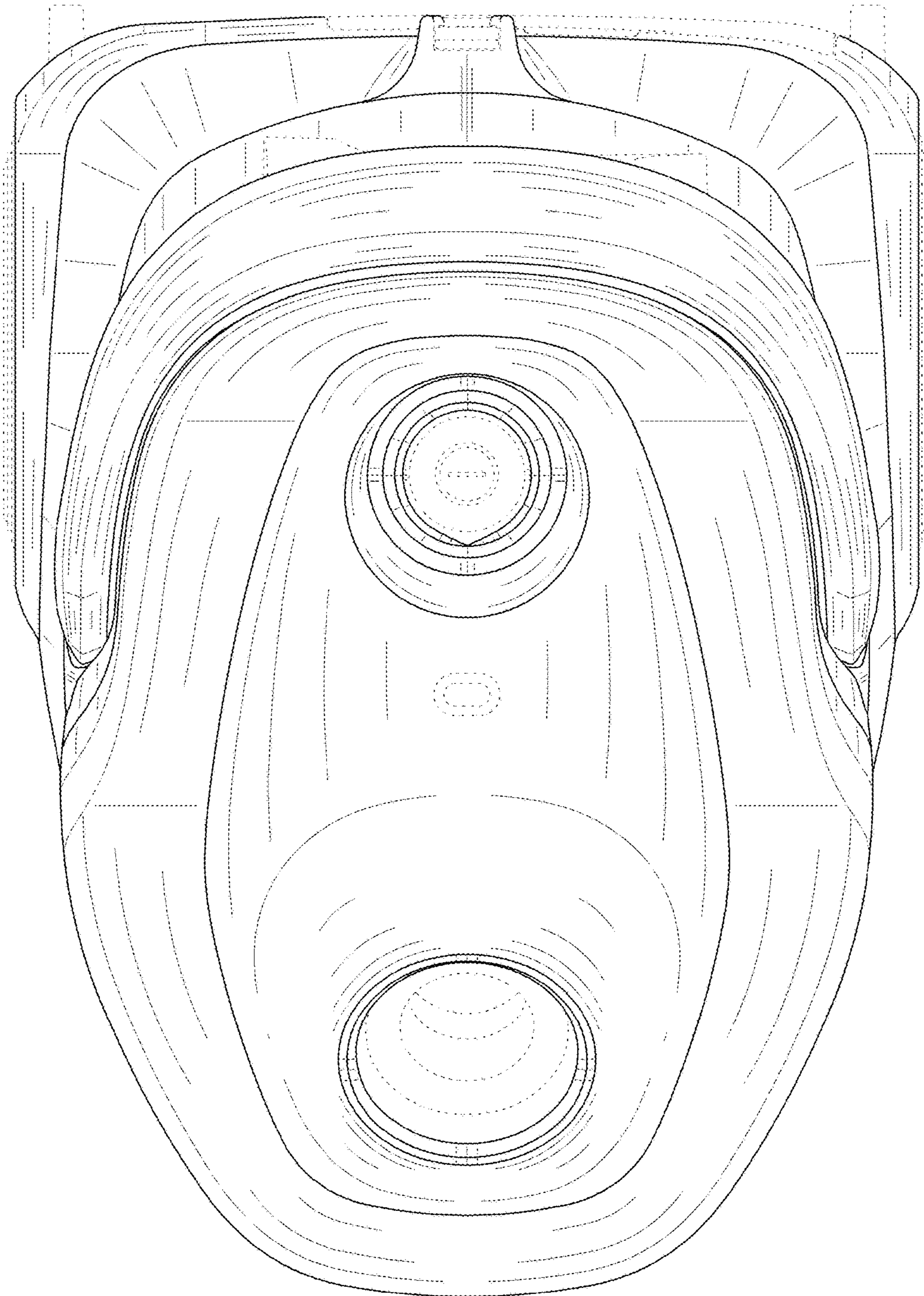


FIG. 7

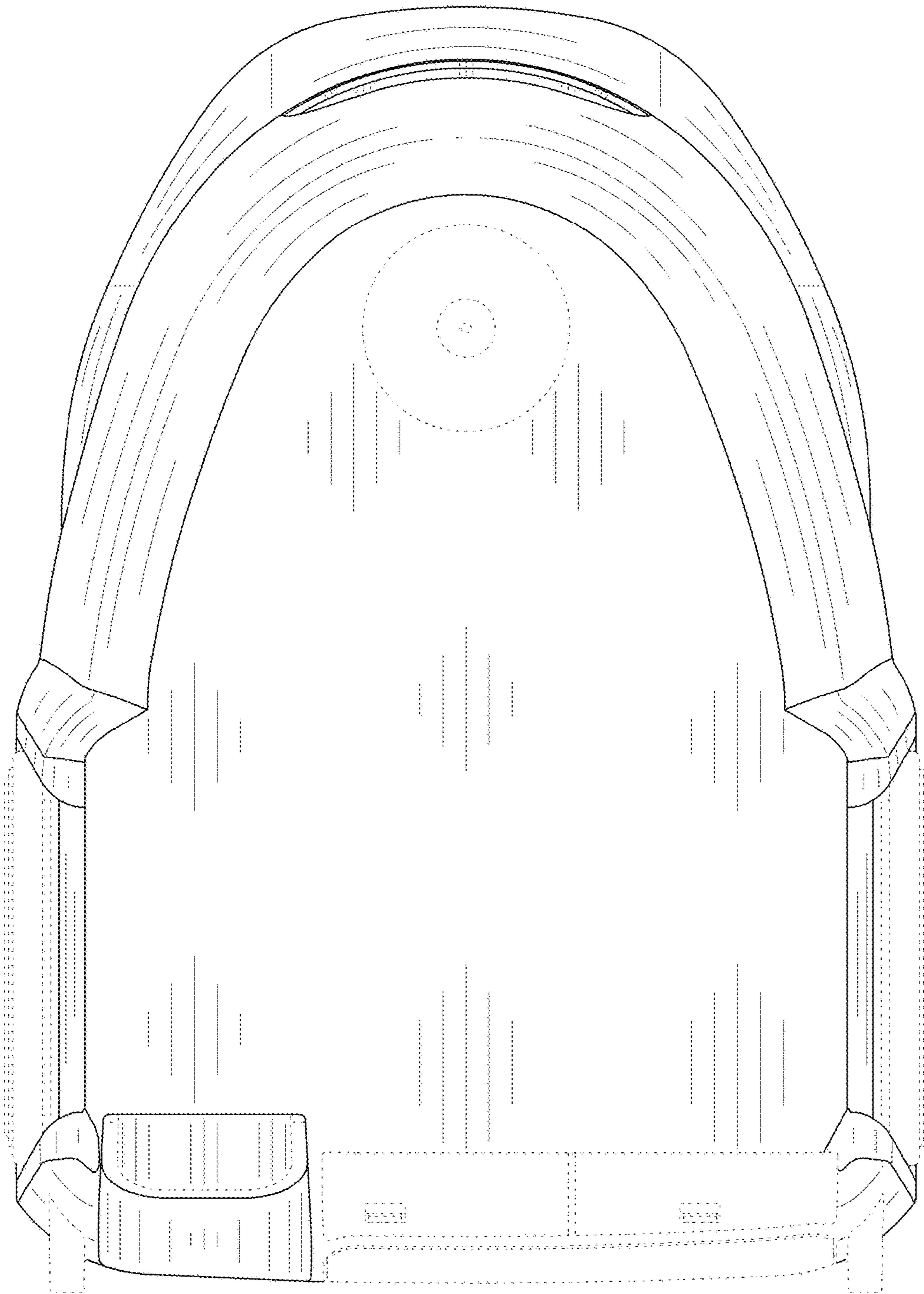


FIG. 8

