



US00D835865S

(12) **United States Design Patent**
Lee et al.

(10) **Patent No.: US D835,865 S**

(45) **Date of Patent: ** *Dec. 11, 2018**

(54) **DRUM TYPE WASHING MACHINE**

(71) Applicant: **LG ELECTRONICS INC.**, Seoul
(KR)

(72) Inventors: **Junghwan Lee**, Seoul (KR); **Kyungah Lee**, Seoul (KR)

(73) Assignee: **LG ELECTRONICS INC.**, Seoul
(KR)

(*) Notice: This patent is subject to a terminal disclaimer.

(**) Term: **15 Years**

(21) Appl. No.: **35/503,576**

(22) Filed: **Feb. 21, 2017**

(80) **Hague Agreement Data**

Int. Filing Date: **Feb. 21, 2017**

Int. Reg. No.: **DM/095004**

Int. Reg. Date: **Feb. 21, 2017**

Int. Reg. Pub. Date: **Aug. 25, 2017**

(30) **Foreign Application Priority Data**

Aug. 31, 2016 (KR) 30-2016-0042830

(51) **LOC (11) Cl.** **15-05**

(52) **U.S. Cl.**
USPC **D32/6**

(58) **Field of Classification Search**

USPC D32/6, 8

CPC D06F 39/045; D06F 29/00; D06F 29/005;
D06F 25/00; D06F 39/022; D06F 33/02;
D06F 2204/065; D06F 35/006

See application file for complete search history.

(56) **References Cited**

U.S. PATENT DOCUMENTS

D496,709 S * 9/2004 Suh D32/6
D517,255 S * 3/2006 Kim D32/5

D517,257 S * 3/2006 Kim D32/6
D520,686 S * 5/2006 Jeon D32/6
D527,499 S * 8/2006 Jung D32/6
D544,658 S * 6/2007 Kim D32/6
D549,896 S * 8/2007 Suh D32/6
D549,897 S * 8/2007 Suh D32/6
D549,898 S * 8/2007 Suh D32/6
D549,899 S * 8/2007 Suh D32/6
D549,902 S * 8/2007 Suh D32/8
D550,907 S * 9/2007 Jeon D32/6
D559,479 S * 1/2008 Kwon D32/6
D559,480 S * 1/2008 Kwon D32/6
D565,809 S * 4/2008 Eicher D32/6
D577,870 S * 9/2008 Kim D32/6
D579,610 S * 10/2008 Jeon D32/6
D697,678 S * 1/2014 Jeon D32/6

* cited by examiner

Primary Examiner — Robert M. Spear

(74) *Attorney, Agent, or Firm* — Birch, Stewart, Kolasch & Birch, LLP

(57) **CLAIM**

The ornamental design for a drum type washing machine, as shown and described.

DESCRIPTION

1. Drum type washing machine

1.1 : Perspective

1.2 : Front

1.3 : Back

1.4 : Left

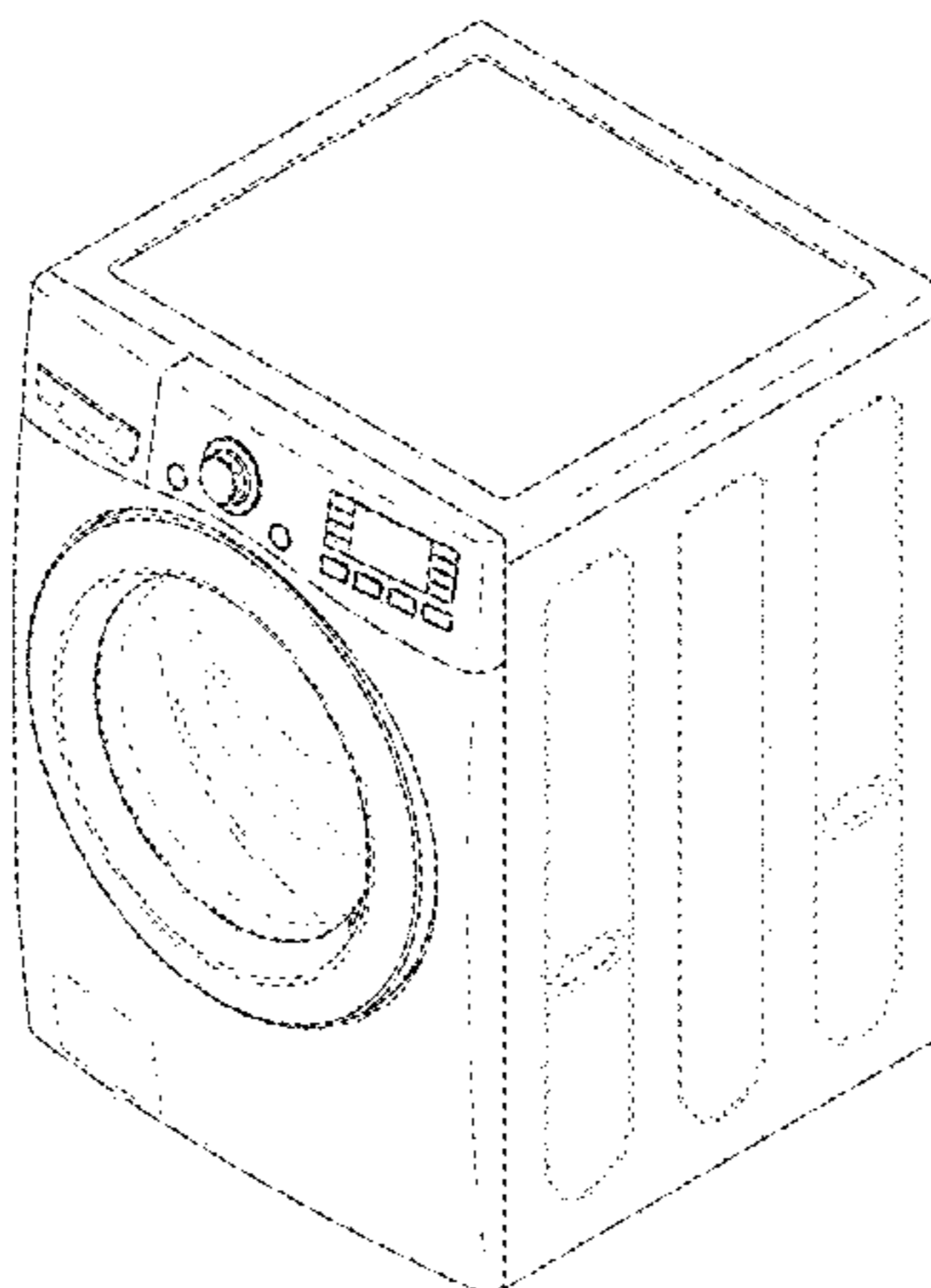
1.5 : Right

1.6 : Top

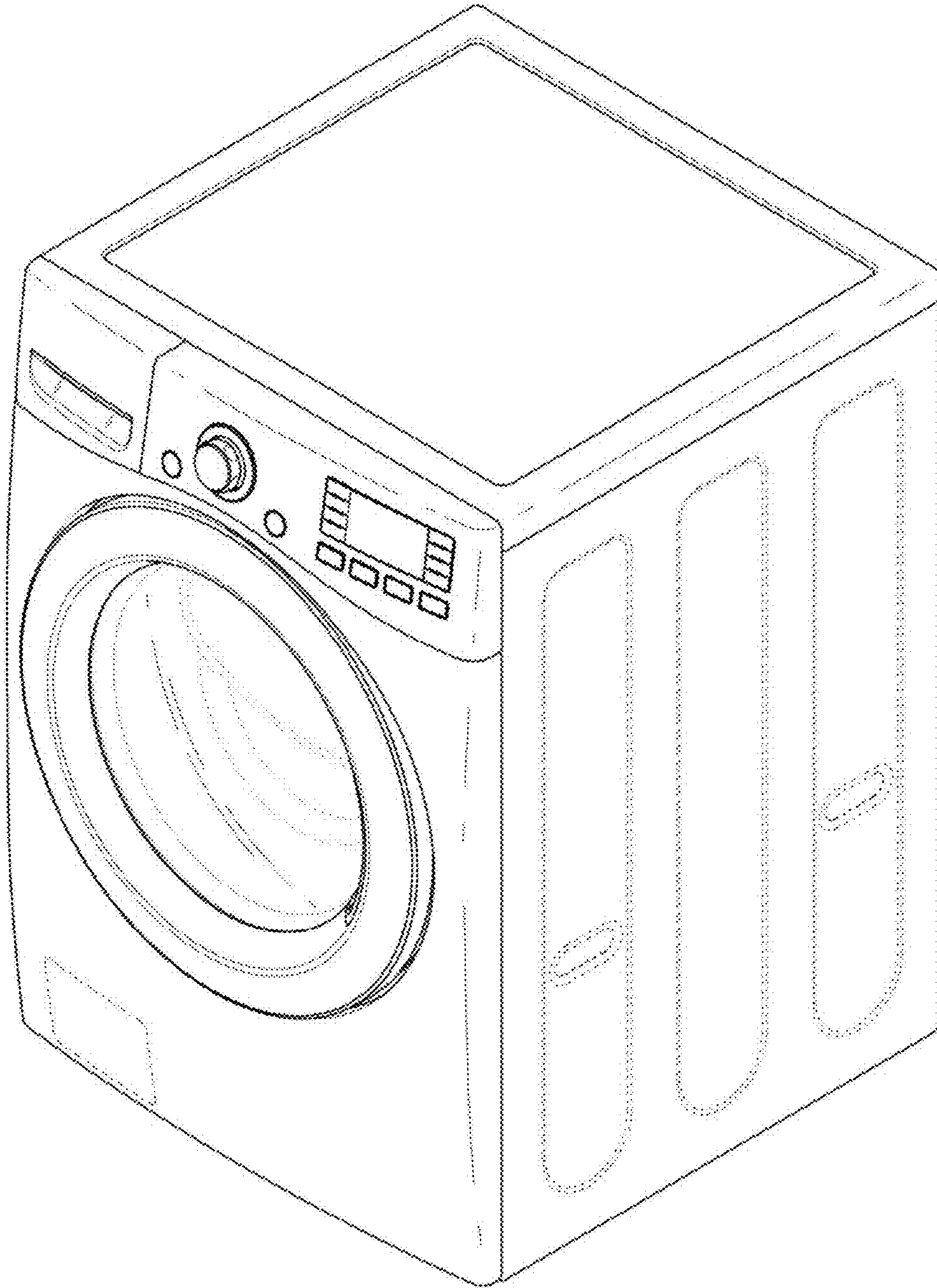
1.7 : Bottom

The broken lines shown in the figures depict portions of the drum type washing machine that form no part of the claimed design.

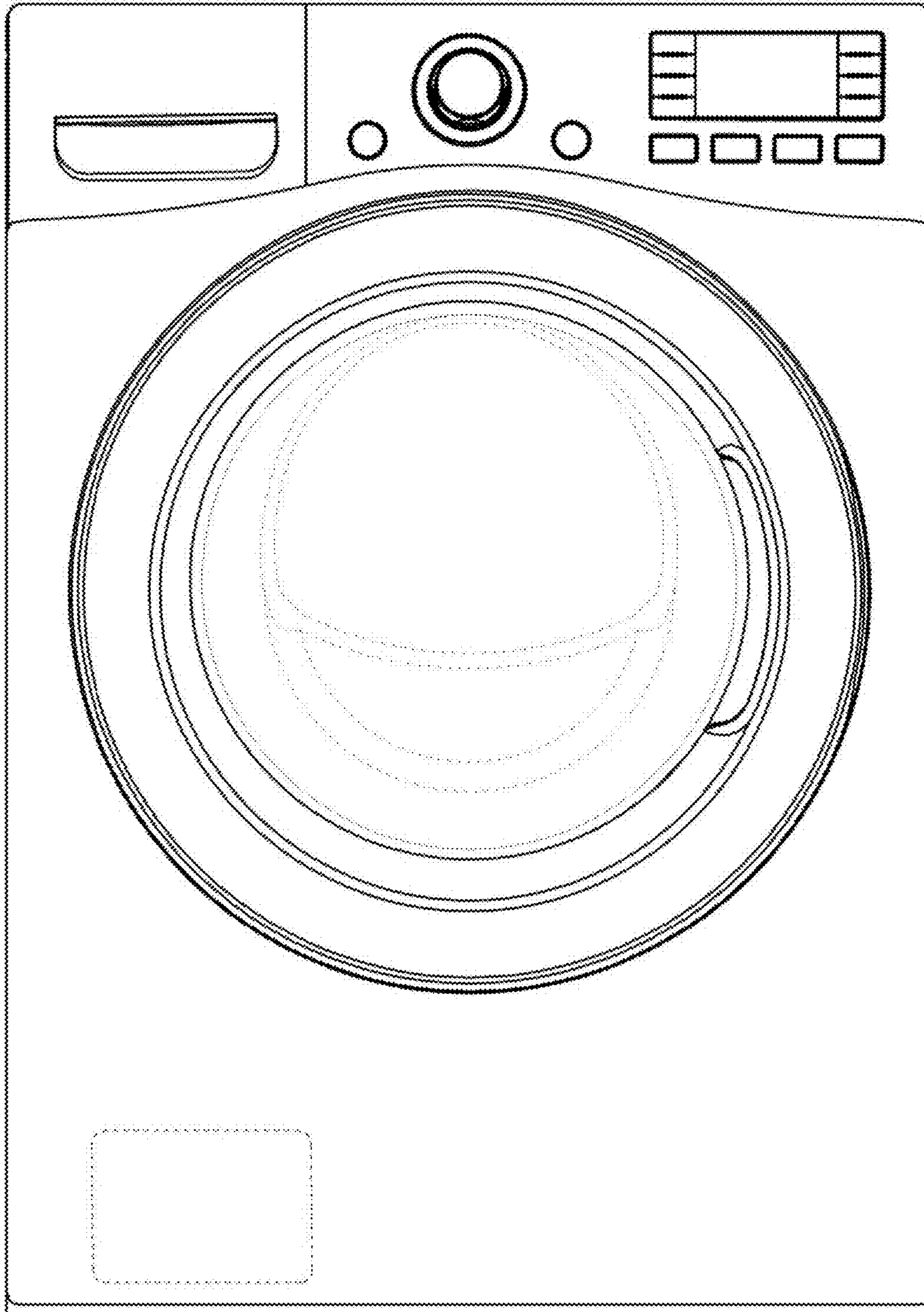
1 Claim, 7 Drawing Sheets



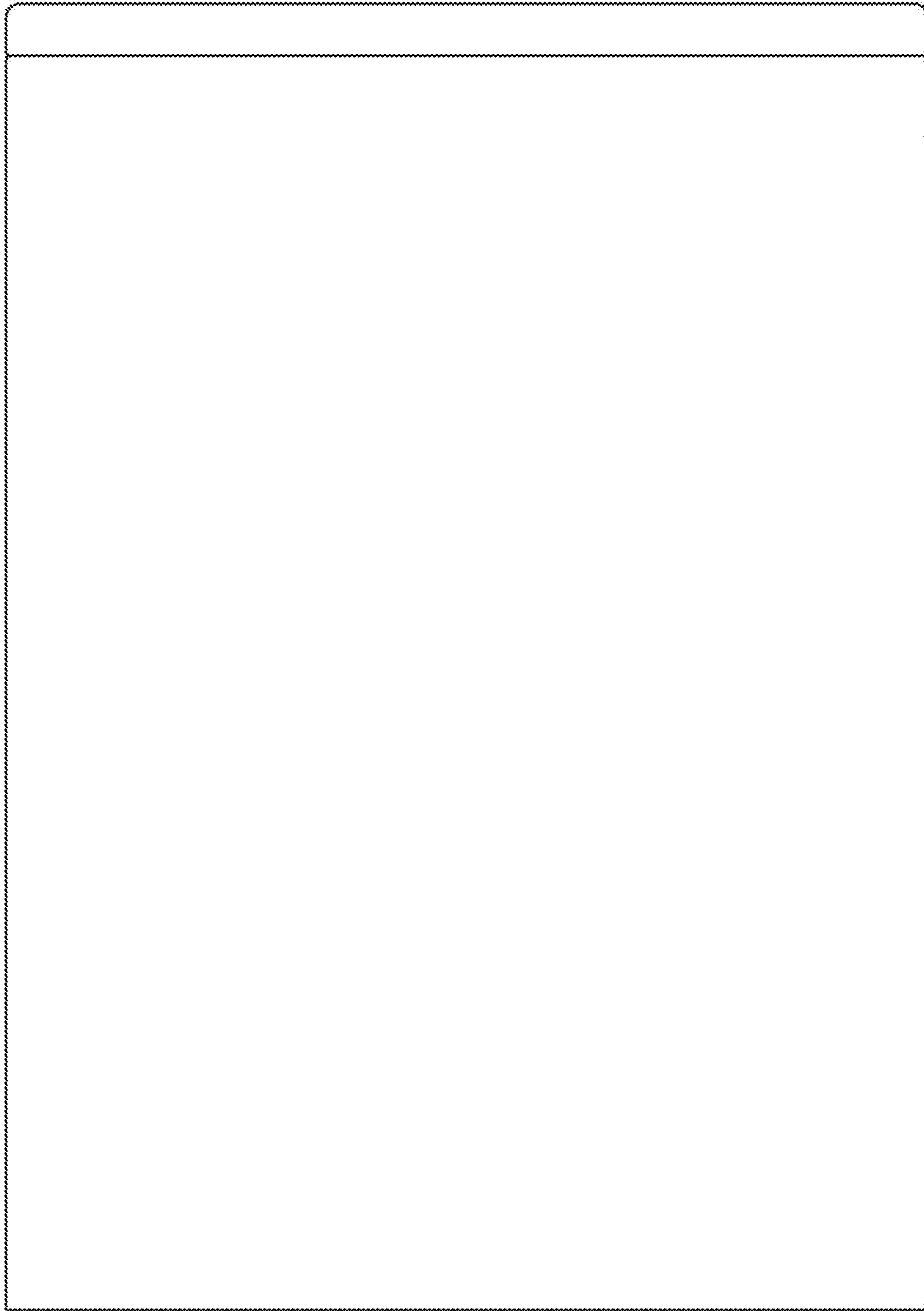
1.1



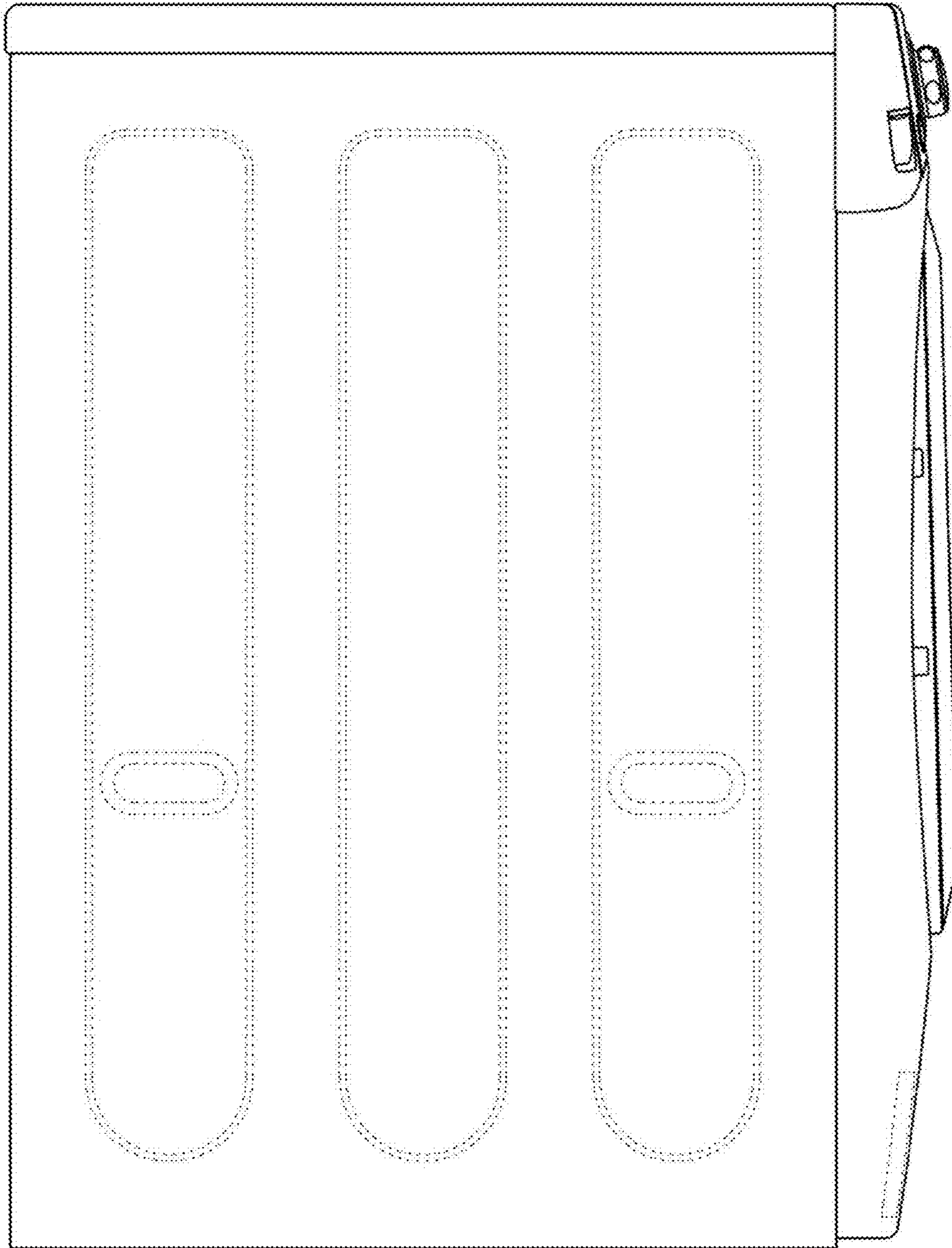
1.2



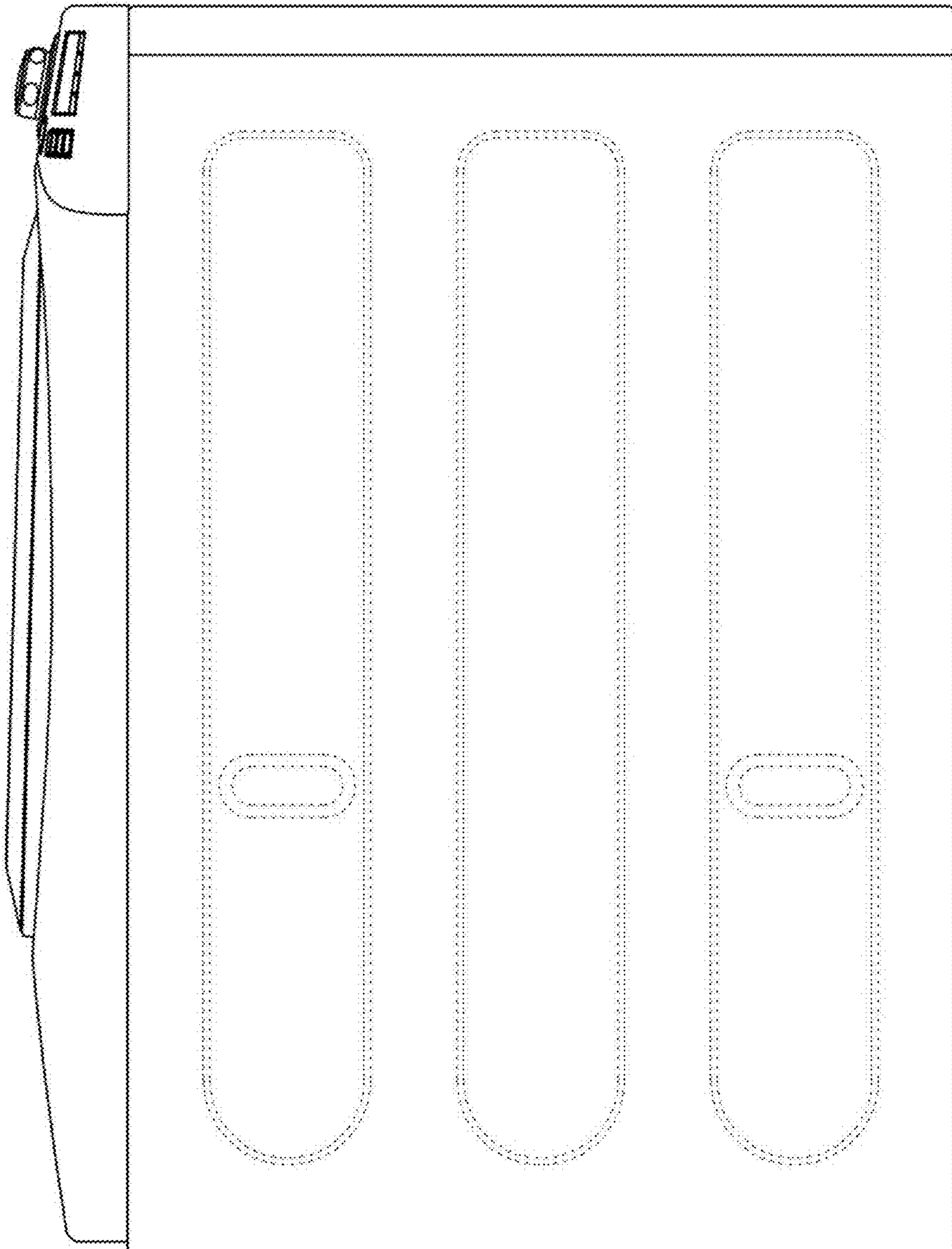
1.3



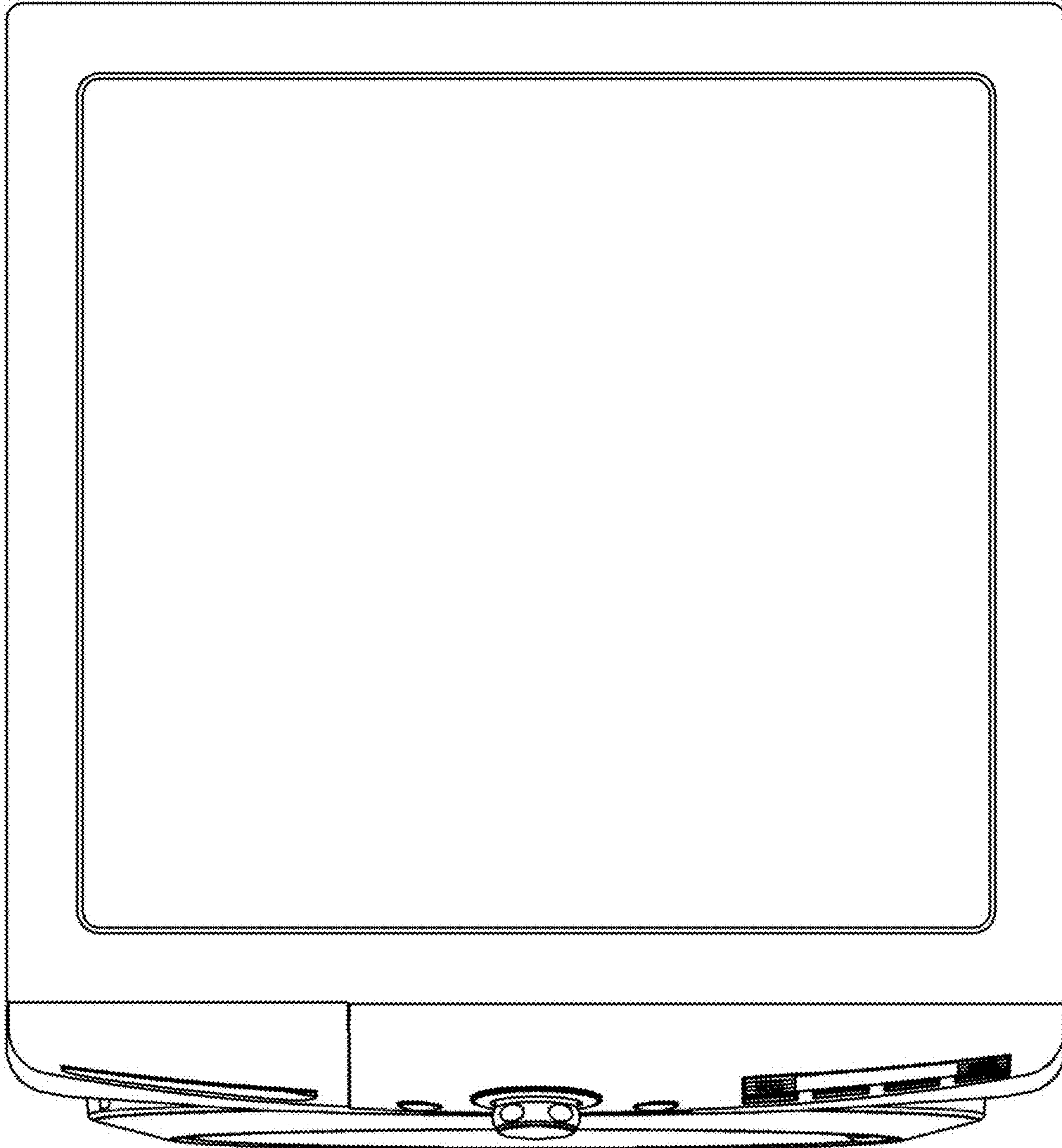
1.4



1.5



1.6



1.7

