

US00D835862S

(12) **United States Design Patent** (10) **Patent No.:** **US D835,862 S**  
**Luo** (45) **Date of Patent:** **\*\* Dec. 11, 2018**

(54) **ANTI-SPLASH CLEANING MACHINE**  
(71) Applicant: **Yongkang Xieheng Zhejiang Province Industry & Commerce Co., LTD,**  
Yongkang (CN)  
(72) Inventor: **Xianghai Luo,** Yongkang (CN)  
(73) Assignee: **Yongkang Xieheng Zhejiang Province Industry & Commerce, Co., LTD,**  
Zhejiang (CN)

D370,754 S \* 6/1996 Miller ..... D32/1  
D371,874 S \* 7/1996 Miller ..... D32/1  
6,206,980 B1 \* 3/2001 Robinson ..... A47L 11/30  
134/21  
6,276,374 B1 \* 8/2001 Wilson ..... B08B 3/02  
134/142  
D579,611 S \* 10/2008 Warner ..... D32/15  
2017/0079492 A1 \* 3/2017 Kjaergaard ..... E05D 1/06  
2017/0203337 A1 \* 7/2017 Luo ..... B08B 3/006

(\*\*) Term: **15 Years**

(21) Appl. No.: **29/571,209**

(22) Filed: **Jul. 15, 2016**

(30) **Foreign Application Priority Data**

Jan. 20, 2016 (CN) ..... 2016 3 0019995

(51) **LOC (11) Cl.** ..... **15-05**

(52) **U.S. Cl.**  
USPC ..... **D32/1**

(58) **Field of Classification Search**  
USPC ..... D32/1, 15, 16; D15/19, 20, 21, 199;  
D23/213, 499  
CPC . A47L 5/38; A47L 9/00; A47L 9/0036; A47L  
11/30; B60S 3/008; B08B 3/006; B08B  
3/02; E05D 1/06; G07F 17/20  
See application file for complete search history.

(56) **References Cited**

**U.S. PATENT DOCUMENTS**

D258,132 S \* 2/1981 Levy ..... D32/1  
D268,706 S \* 4/1983 Muller ..... D32/1  
D274,011 S \* 5/1984 Lafferty ..... D32/1  
D276,472 S \* 11/1984 Harrison ..... D32/1  
D348,337 S \* 6/1994 O'Brien ..... D32/1  
D352,808 S \* 11/1994 McNeil ..... D32/21

**OTHER PUBLICATIONS**

[http://www.xhtool.com/sand\\_blaster.html](http://www.xhtool.com/sand_blaster.html) Date Accessed: Mar. 26, 2018.\*

\* cited by examiner

*Primary Examiner* — Michelle E. Wilson  
(74) *Attorney, Agent, or Firm* — Christopher & Weisberg, P.A.

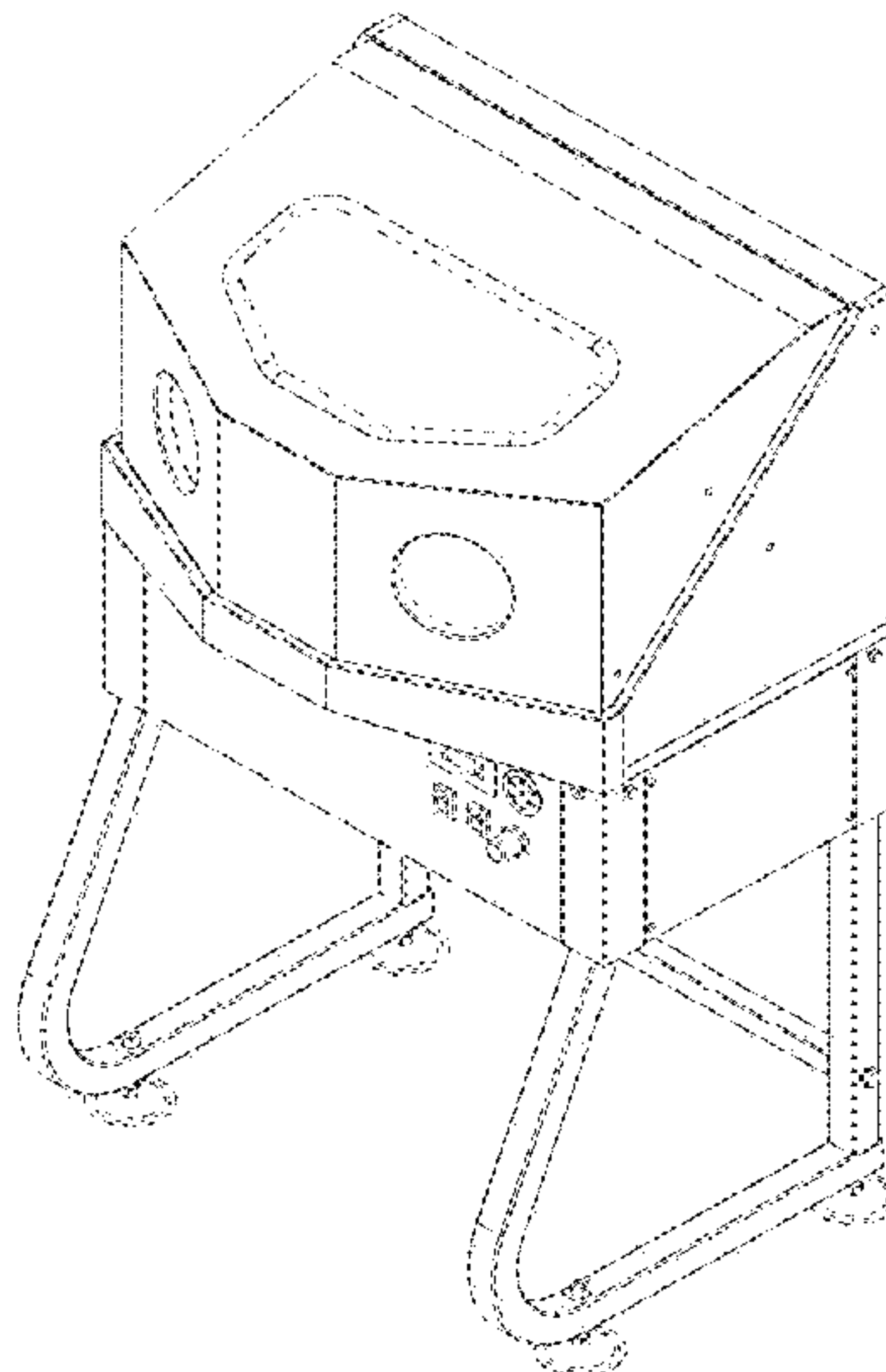
(57) **CLAIM**

The ornamental design for an anti-splash cleaning machine, as shown.

**DESCRIPTION**

FIG. 1 is a top view of the anti-splash cleaning machine; FIG. 2 is a bottom view thereof; FIG. 3 is a front view thereof; FIG. 4 is a rear view thereof; FIG. 5 is a right side view thereof; FIG. 6 is a left side view thereof; FIG. 7 is an upper front perspective view thereof; FIG. 8 is an upper front perspective view thereof showing the lower front door in an open position; and, FIG. 9 is an upper front perspective view thereof showing the upper front door in an open position. The elements depicted in broken line format do not form a part of the claimed subject matter.

**1 Claim, 9 Drawing Sheets**



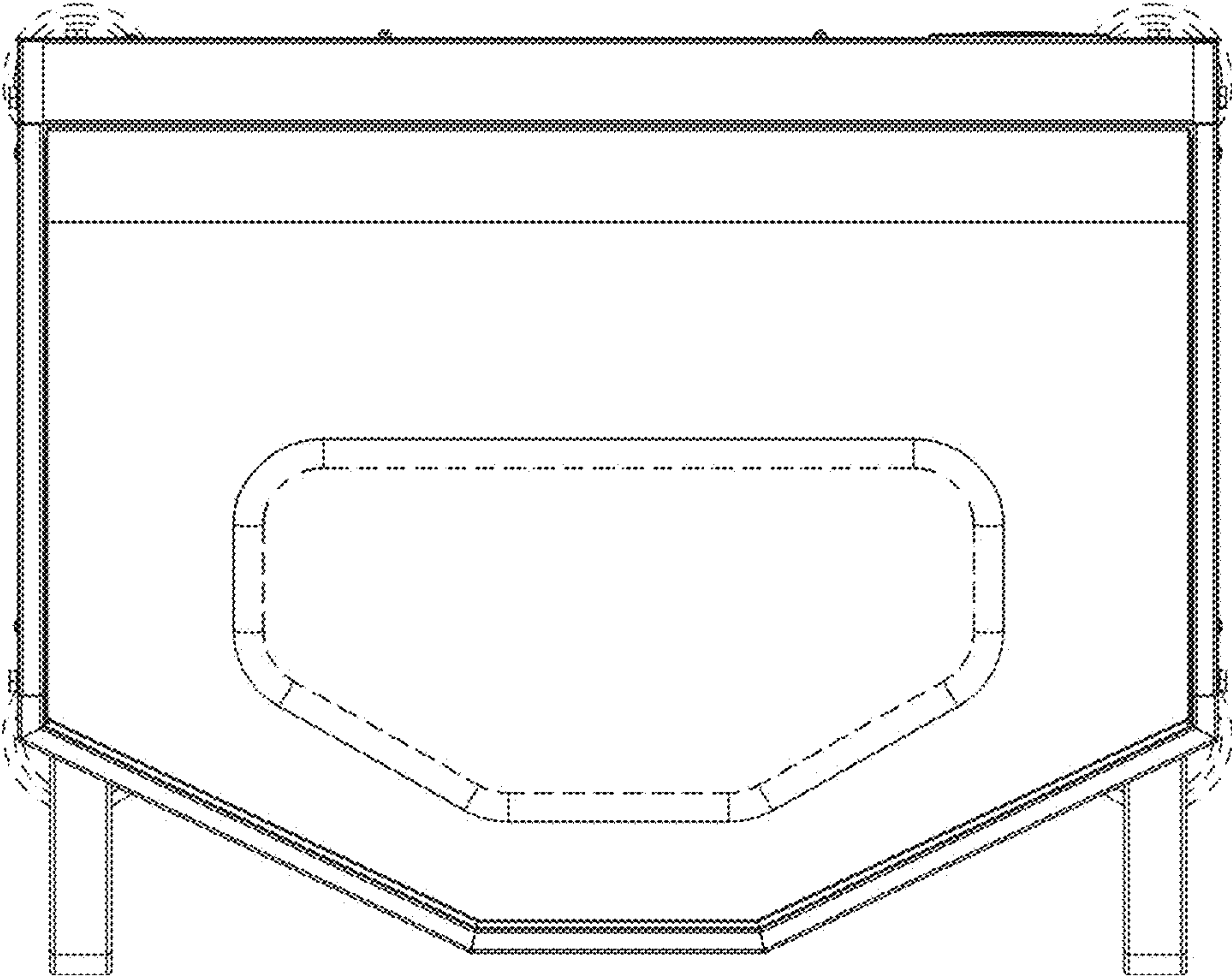


FIG. 1

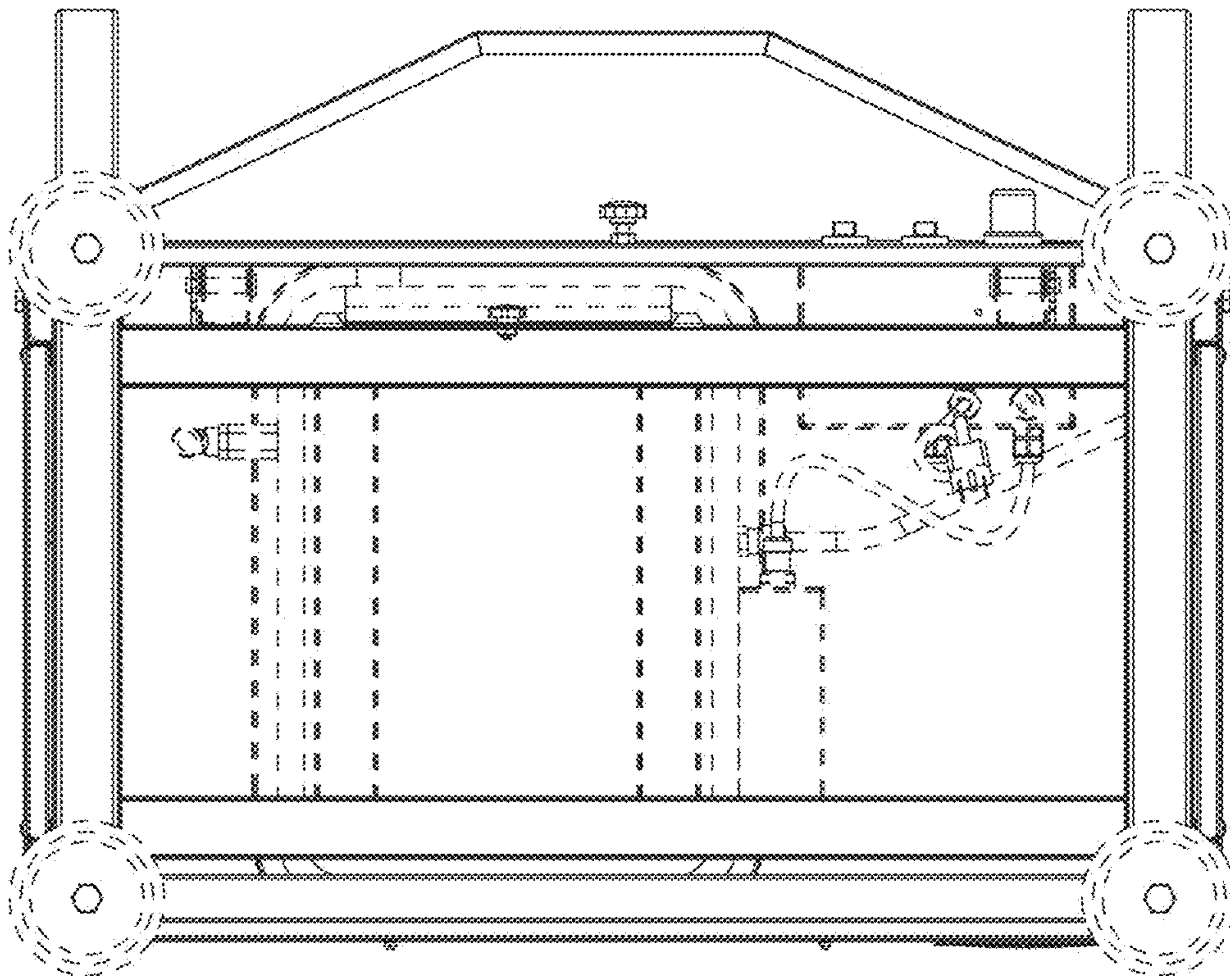


FIG. 2

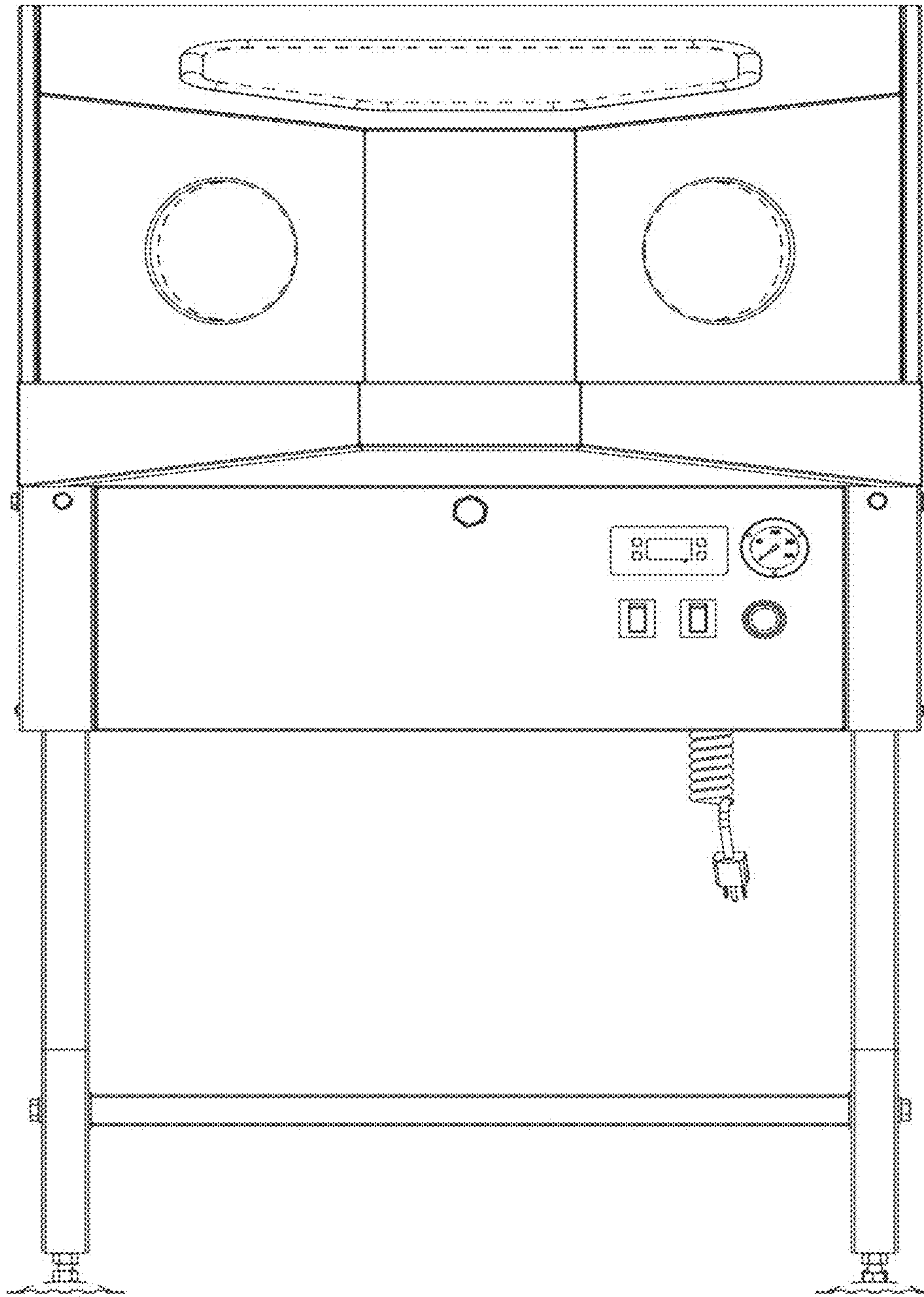


FIG. 3



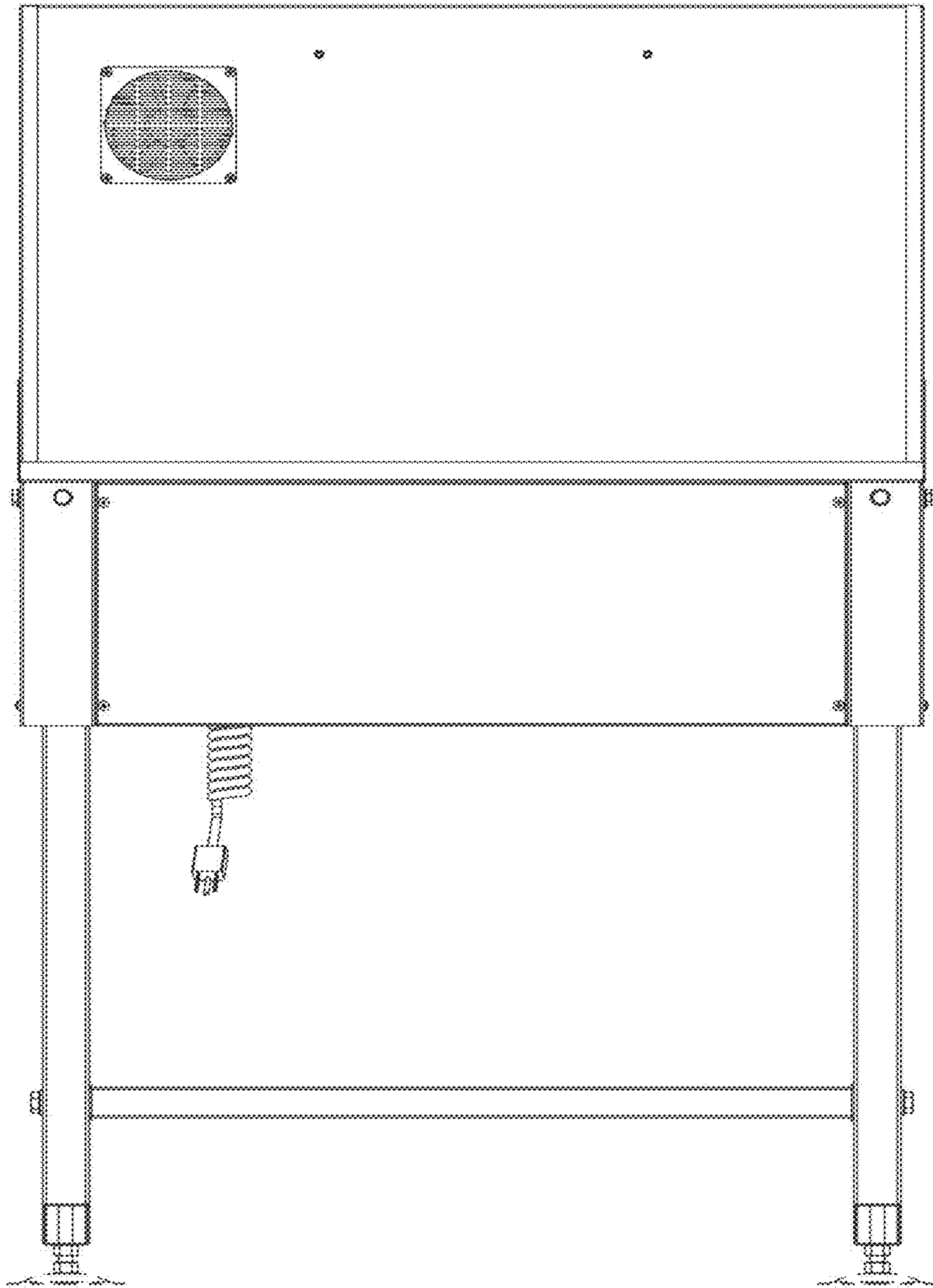


FIG. 4

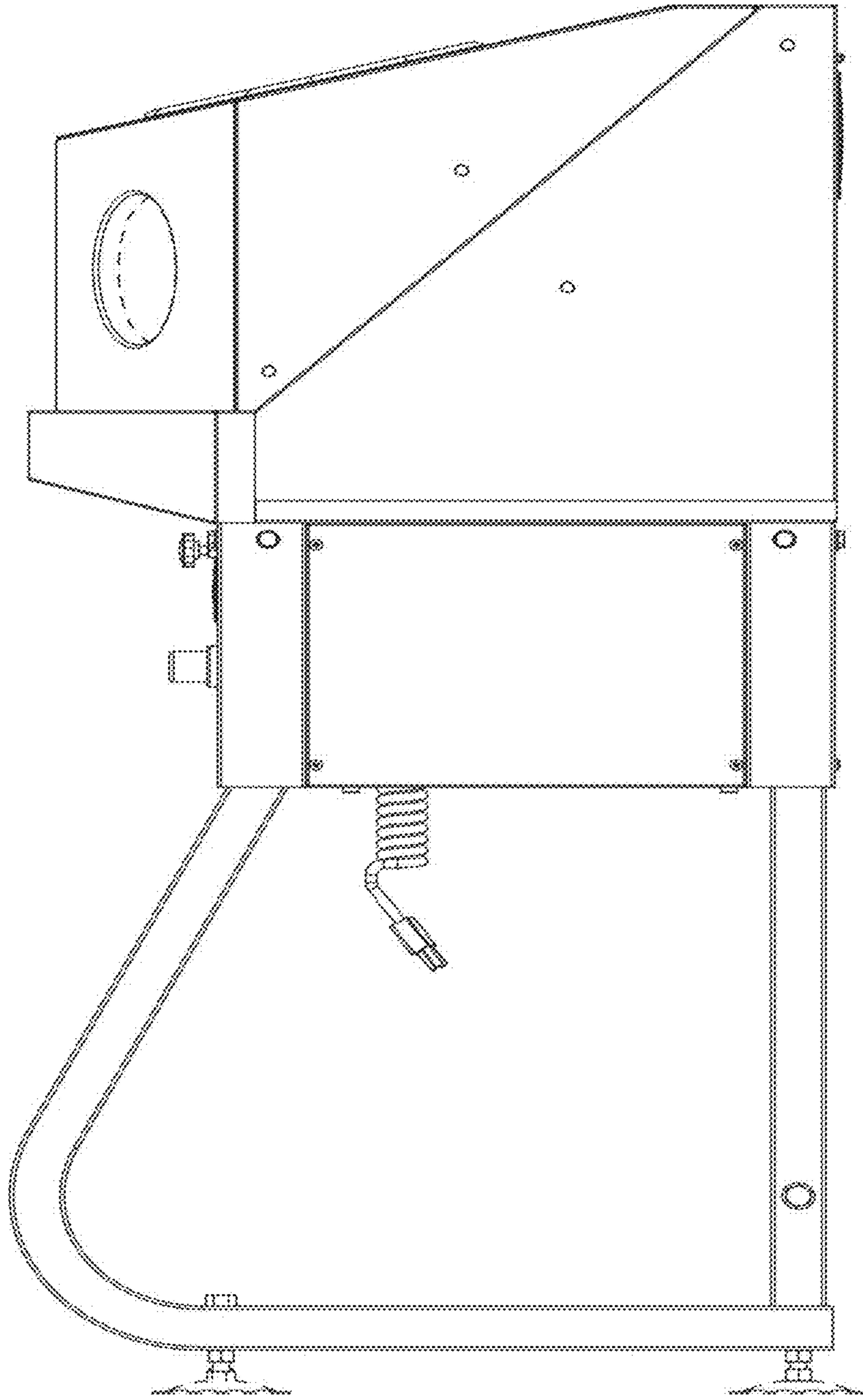


FIG. 5

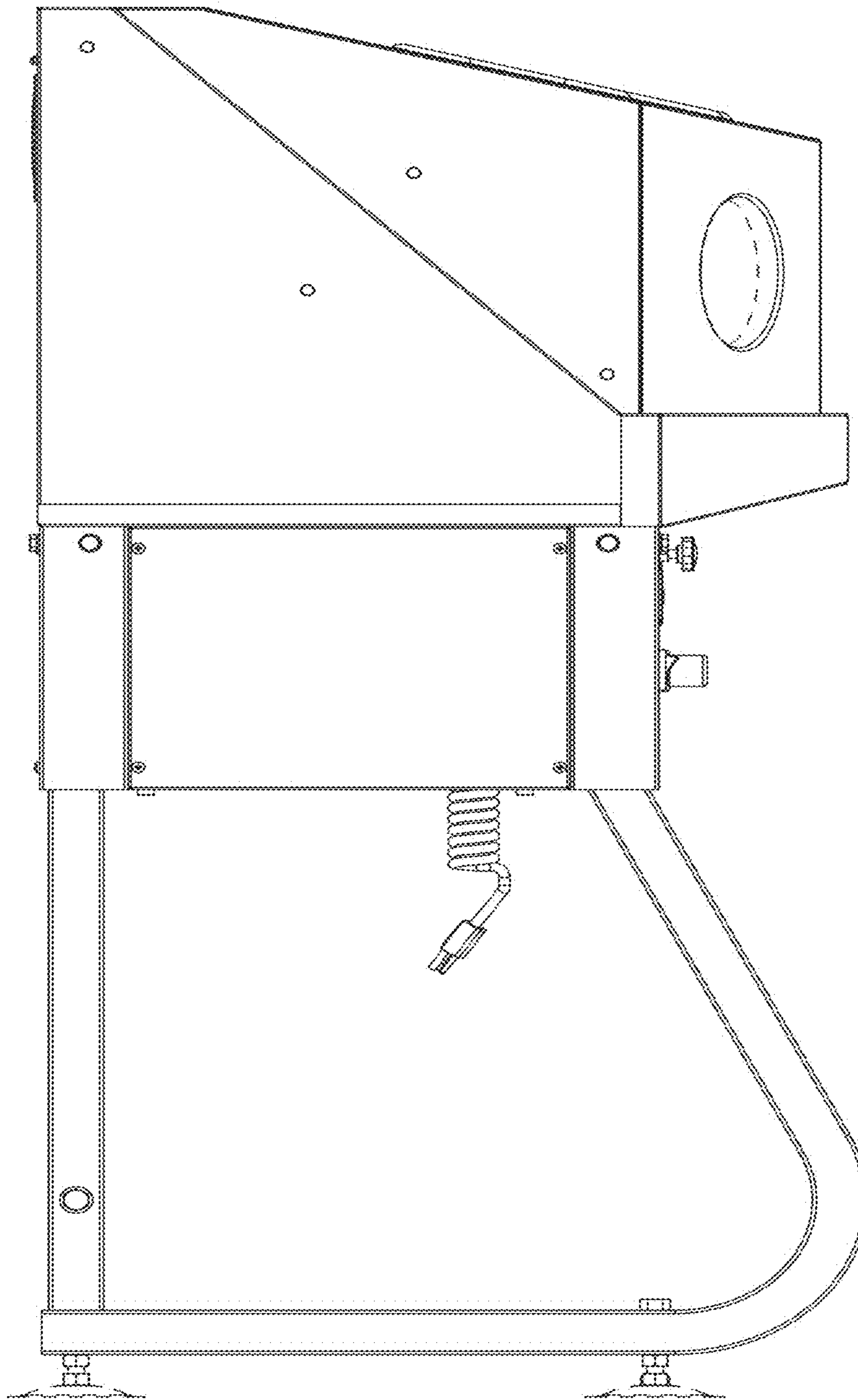


FIG. 6

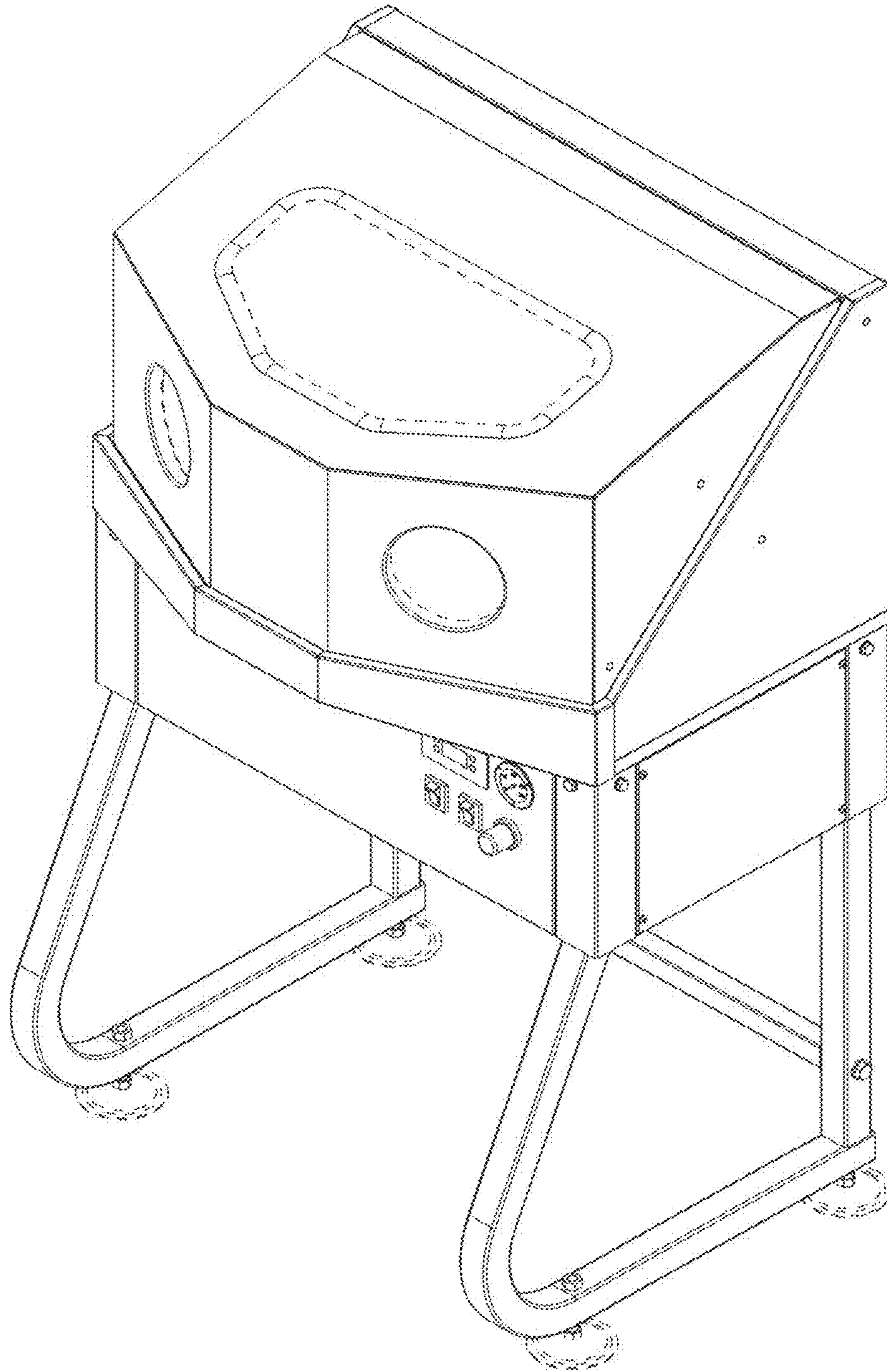


FIG. 7



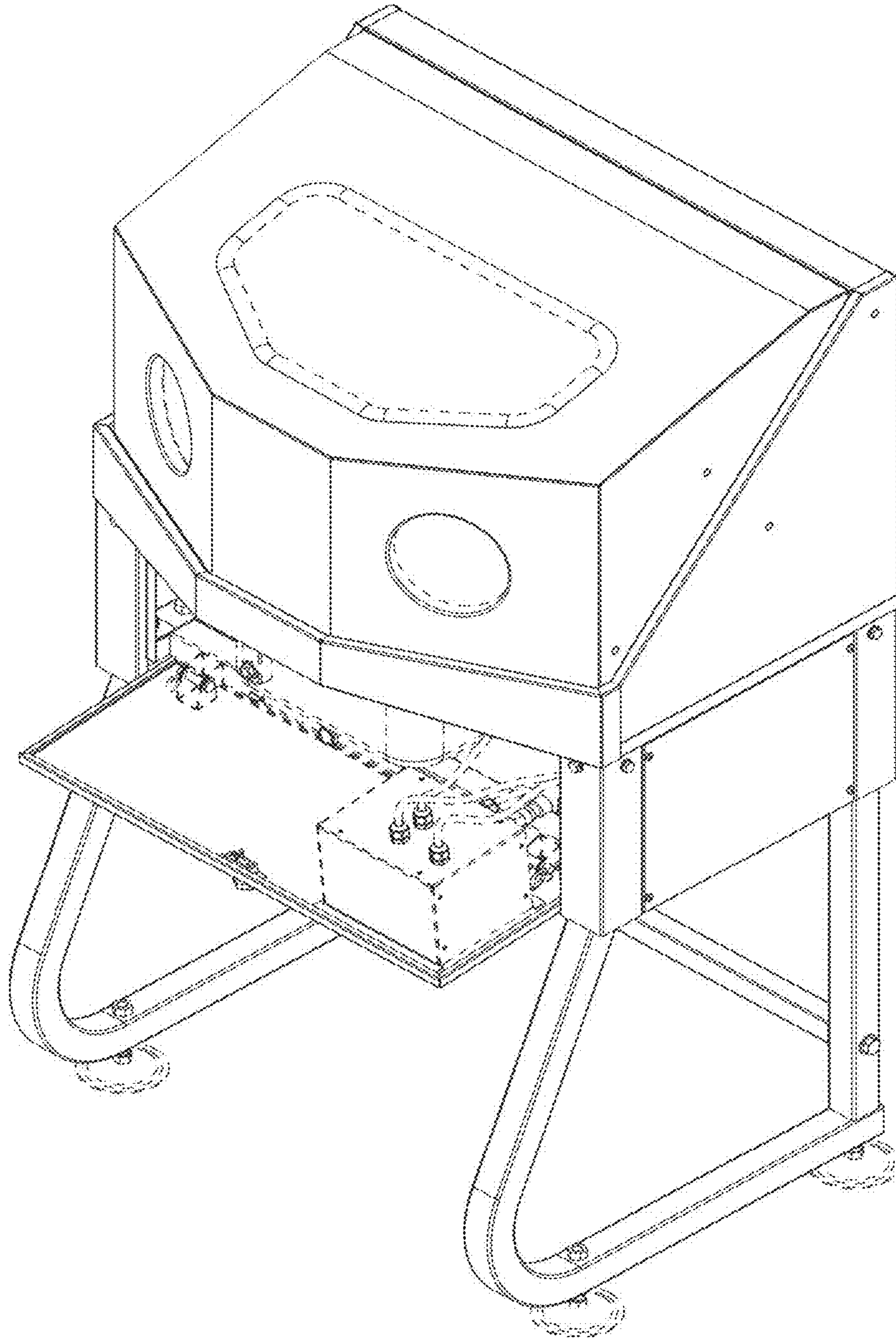


FIG. 8

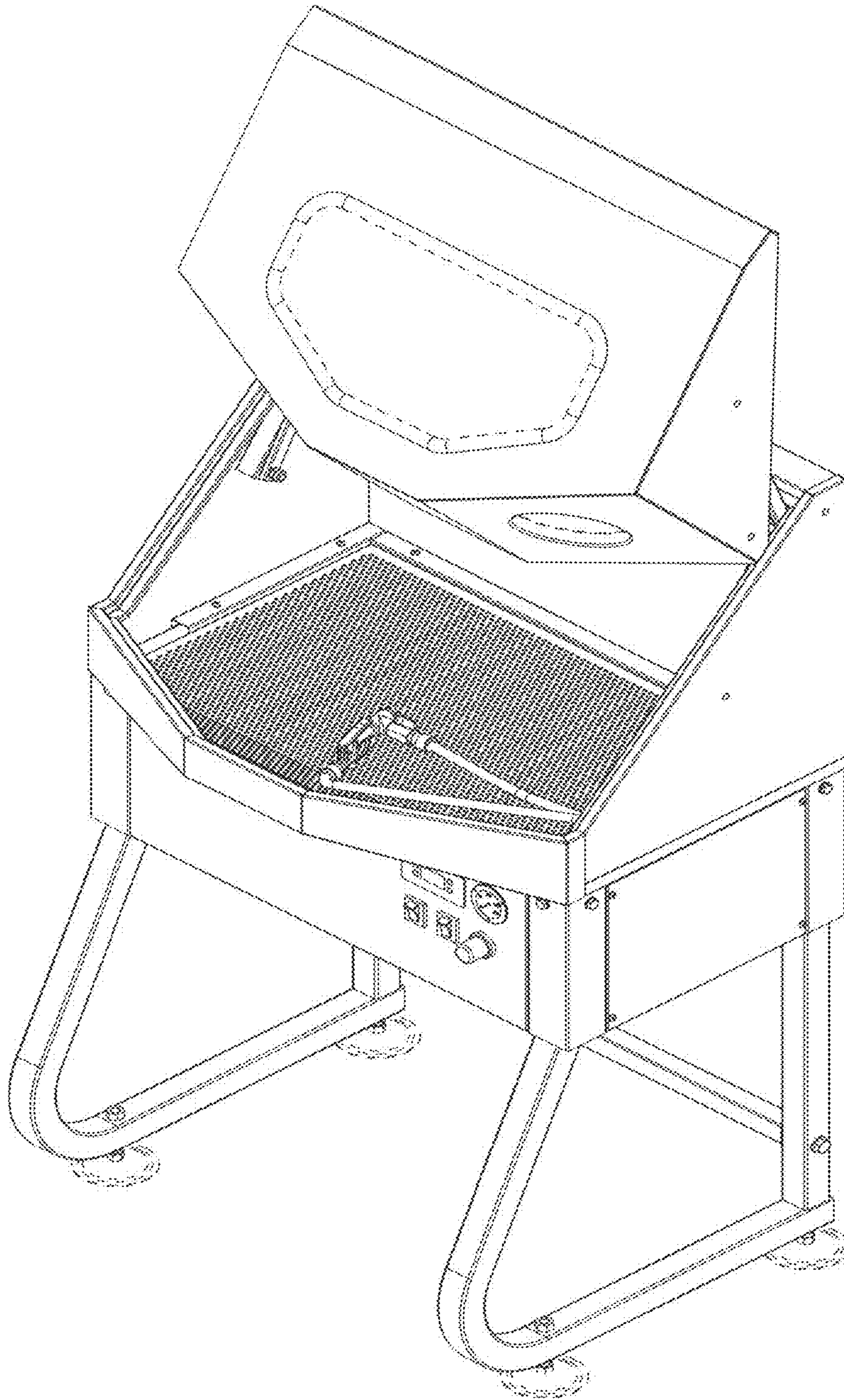


FIG. 9