



US00D835858S

(12) **United States Design Patent**
Tipton

(10) **Patent No.:** **US D835,858 S**

(45) **Date of Patent:** **** Dec. 11, 2018**

(54) **ANIMAL GROOMING TOOL WITH WAVE PATTERN BLADE TEETH**

(71) Applicant: **Jennifer Tipton**, Billings, MT (US)

(72) Inventor: **Jennifer Tipton**, Billings, MT (US)

(**) Term: **15 Years**

(21) Appl. No.: **29/646,034**

(22) Filed: **May 1, 2018**

601/138, 143–147; D28/91.2, 63, 52, 48,
D28/31; D8/13, 6, 10, 11, 12, 1, 45;
126/173, 214 C, 25 R; 99/450; 156/579;
7/167; 16/422

CPC A01K 13/00; A01K 13/002; B26B 19/24;
B26B 19/063; B26B 21/16; B26B 21/18;
B26B 21/521; B26B 21/4075; B26B
21/522; A45D 24/30; A45D 24/00; A45D
24/04; A45D 24/10; A45D 24/36; A45D
24/02; A46B 5/02; A46B 5/021; A46B

(Continued)

Related U.S. Application Data

(63) Continuation-in-part of application No. 29/551,045,
filed on Jan. 9, 2016, now Pat. No. Des. 817,560.

(51) **LOC (11) Cl.** **30-99**

(52) **U.S. Cl.**
USPC **D30/159; D30/158**

(58) **Field of Classification Search**

USPC D30/158, 159, 199, 162, 106; 119/625,
119/633, 600, 617, 628, 632, 631, 613,
119/618, 619, 620, 611; 132/126, 142,
132/143, 155; 30/114, 130, 301, 305,
30/315, 316, 299, 303, 306, 169, 322, 31,
30/30, 279.2, 280, 287, 294, 199,
30/329–344, 346.56, 346.61, 355, 357,
30/172; D7/672–676, 687, 686, 634, 619,
D7/688, 653; 425/298; 426/503;
D4/136, 127, 124–126, 116–118, 199,
D4/194, 137; D32/42, 25, 41, 48, 40, 35,
D32/46; D23/261; 2/160; 172/379, 380;
D6/415, 410, 411; 294/1.3, 1.5, 55, 99.1,
294/49, 7, 9, 99.2, 118, 119, 19.2, 52;
209/418; D24/211, 147; D21/532, 398;
D19/36; 34/381, 103, 104, 107;
D11/104, 86; 56/400.01, 400.1, 400.17,
56/400.21, 400.05, 400.04, 330; 403/329,
403/326, 361; 15/402, 142, 236.07,
15/236.08, 236.05, 250.48, 256.5, 245.1,
15/143.1, 145, 176.1, 176.4, 236.01, 245;
601/137, 136, 80, 93, 95, 97, 101, 103,

(56)

References Cited

U.S. PATENT DOCUMENTS

105,148 A * 7/1870 Warner et al. A45D 8/12
132/155
194,820 A * 9/1877 Holmes A01K 13/002
119/631

(Continued)

Primary Examiner — Susan Moon Lee

(74) *Attorney, Agent, or Firm* — Edwin H. Crabtree;
Ramon L. Pizarro

(57)

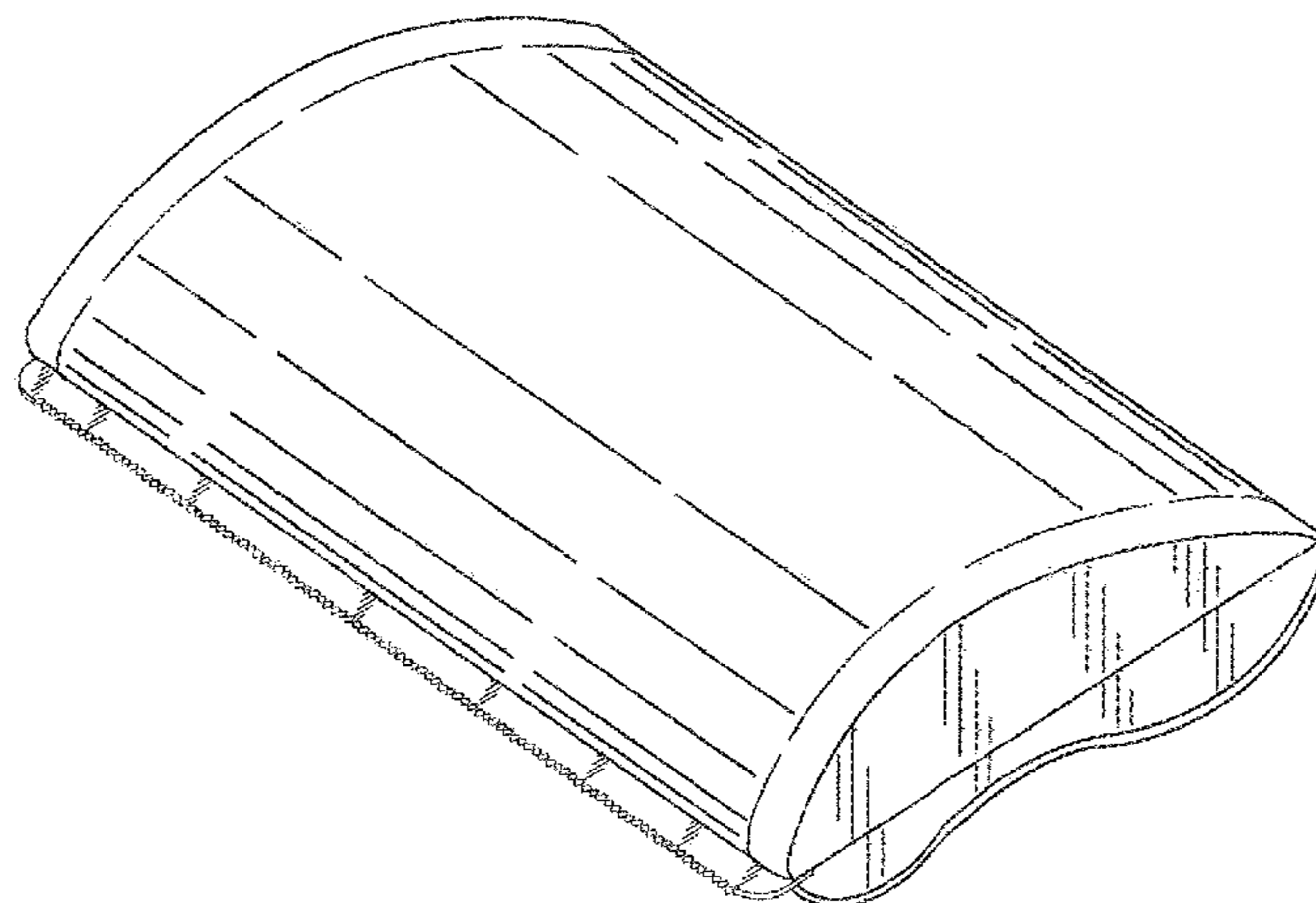
CLAIM

An ornamental design for an animal grooming tool with wave pattern blade teeth, as shown in the drawings and described in the specifications.

DESCRIPTION

FIG. 1 is a perspective view of the animal grooming tool with wave pattern blade teeth illustrating my new design; FIG. 2 is an end view thereof; FIG. 3 is an opposite end view thereof; FIG. 4 is a front view thereof; FIG. 5 is a rear view thereof; FIG. 6 is a top view thereof; and, FIG. 7 is a bottom view thereof.

1 Claim, 2 Drawing Sheets



US D835,858 S

(58) **Field of Classification Search**
 CPC . 5/026; A46B 5/028; A46B 2200/1093; A46B
 2200/10; B29C 63/0004; Y10T 156/18;
 Y10T 16/476; B41F 15/44
 See application file for complete search history.

(56) **References Cited**

U.S. PATENT DOCUMENTS

<p>309,668 A * 12/1884 Weightman A01K 13/002 119/613 335,894 A * 2/1886 Clark A01K 13/002 119/631 D19,979 S * 7/1890 Spruill D32/46 431,490 A * 7/1890 Thomas A01K 13/002 119/631 601,309 A * 3/1898 Stevener B26B 29/04 30/233 D32,484 S * 4/1900 Bowles D32/46 777,522 A * 12/1904 Links et al. A45D 40/0081 15/105 932,027 A * 8/1909 Kennedy A45D 24/02 132/139 946,370 A * 1/1910 Kelmel A46B 9/02 15/160 1,142,473 A * 6/1915 Worns A47L 13/08 30/169 D49,182 S * 6/1916 Gregwer D32/46 D50,078 S * 12/1916 Schmitt D32/46 1,255,601 A * 2/1918 Hare A01K 13/002 119/626 1,381,478 A * 6/1921 Lawrence B23D 61/121 407/117 D64,611 S * 5/1924 Trachtenberg D28/25 1,517,864 A * 12/1924 Runk A47L 13/16 15/210.1 1,520,045 A * 12/1924 Winiarski A47L 1/15 15/245 1,555,145 A * 9/1925 Naslin B44C 7/08 15/245 1,704,329 A * 3/1929 Klaus A47L 13/08 15/236.07 1,760,778 A * 5/1930 Ries A45D 24/08 132/143 1,820,768 A * 8/1931 Barker A45D 20/48 132/142 1,820,769 A * 8/1931 Barker A61N 1/26 607/79 1,880,619 A * 10/1932 Wildey A61N 1/26 132/118 D100,790 S * 8/1936 Oishei 15/250.48 D100,791 S * 8/1936 Oishei 15/250.48 2,109,626 A * 3/1938 Sowers A47L 1/15 15/105 2,158,695 A * 5/1939 Foss B44C 7/08 15/245 D117,388 S * 10/1939 Woinarovicz D32/46 2,287,231 A * 6/1942 Cathcard E04F 21/06 15/236.08 2,410,420 A * 11/1946 Bennett A47L 13/08 15/231 2,430,303 A * 11/1947 Ruhl A45D 24/24 119/632 2,501,987 A * 3/1950 Brown B26B 21/06 132/289 2,546,577 A * 3/1951 Young B27G 17/04 15/236.08 2,609,020 A * 9/1952 Becker A22B 5/205 30/517 D169,837 S * 6/1953 Blander D32/46 2,674,001 A * 4/1954 Abrams A46B 7/023 15/184 D172,527 S * 6/1954 Wattles D32/41 D173,462 S * 11/1954 Schmoller D32/41</p>	<p>2,718,654 A * 9/1955 Draughn B27G 17/04 15/236.06 2,789,346 A * 4/1957 Algier B26B 21/06 264/275 2,824,330 A * 2/1958 Williams E04F 21/06 15/145 D182,580 S * 4/1958 Fredrickson 15/160 D189,848 S * 3/1961 Ott D28/51 3,007,503 A * 11/1961 Kuemmerling B23D 51/01 30/517 3,160,142 A * 12/1964 Torow A01K 13/002 119/623 D204,724 S * 5/1966 Bieger 128/207.29 3,292,674 A * 12/1966 Turner B23D 61/121 407/120 3,302,233 A * 2/1967 Sebastiani E04F 21/04 15/235.4 D214,977 S * 8/1969 Roth D4/137 3,488,764 A * 1/1970 Welsh B26B 21/06 30/32 3,676,888 A * 7/1972 Akers B44D 3/105 15/144.1 D226,045 S * 1/1973 Yran D24/211 D226,142 S * 1/1973 Brainerd et al. D4/119 D226,249 S * 1/1973 Brainerd et al. D4/119 D231,036 S * 3/1974 Brainerd et al. D4/119 D231,037 S * 3/1974 Brainerd et al. D4/119 D231,039 S * 3/1974 Brainerd et al. D4/119 D231,040 S * 3/1974 Brainerd et al. D4/119 D231,041 S * 3/1974 Brainerd et al. D4/119 D233,586 S * 11/1974 Kopp D32/46 3,864,778 A * 2/1975 Vopat B43L 21/00 15/105 3,892,247 A * 7/1975 Andersen A45D 20/50 132/148 3,893,424 A * 7/1975 Casler A01K 13/002 119/618 3,897,794 A * 8/1975 Branch A45D 24/007 132/119.1 4,004,317 A * 1/1977 Beedle G11B 23/502 125/39 D243,382 S * 2/1977 Mox D32/46 4,048,471 A * 9/1977 Ours B05C 17/10 118/202 4,064,588 A * 12/1977 Cooper B23D 49/11 15/235.3 4,097,951 A * 7/1978 Hurtt B05C 17/10 15/144.1 4,198,928 A * 4/1980 Borba A01K 13/002 119/631 D263,001 S * 2/1982 Wistrand D28/13 RE31,433 E * 11/1983 Clark B23D 61/12 502/215 D275,723 S * 10/1984 Leininger D18/14 D275,804 S * 10/1984 Saferstein D28/30 4,597,179 A * 7/1986 Goforth B23D 29/02 30/233 4,612,707 A * 9/1986 Shea B26B 29/02 30/162 D289,335 S * 4/1987 Scofield D28/23 4,671,303 A * 6/1987 Saferstein A45D 24/30 119/625 4,727,788 A * 3/1988 Yoshida B23D 61/121 83/848 D303,479 S * 9/1989 Shumaker D7/696 4,970,990 A * 11/1990 Wilhelmi A01K 13/002 119/601 D312,893 S * 12/1990 Hansen D28/48 D313,881 S * 1/1991 Nielson D32/46 4,984,326 A * 1/1991 Horie G03G 15/0812 15/1.51 4,989,511 A * 2/1991 Clarke, Jr. B41F 15/02 101/123 5,062,338 A * 11/1991 Baker B23D 61/121 83/835 5,072,746 A * 12/1991 Kantor A45D 24/30 119/625</p>
--	---

(56)

References Cited

U.S. PATENT DOCUMENTS

D323,896 S *	2/1992	Alcazar	D25/103	6,733,056 B2 *	5/2004	Daniele	A47F 13/08
5,101,530 A *	4/1992	Hansen	A47L 13/11				294/180
			15/245	6,796,000 B2 *	9/2004	Varner	A47L 1/06
D330,445 S *	10/1992	Hay	D32/46				15/143.1
D332,331 S *	1/1993	Hansen	D32/41	D507,407 S *	7/2005	Woods	D4/132
5,191,670 A *	3/1993	Lake	A46B 15/00	D507,682 S *	7/2005	Dunn	D30/158
			15/160	D508,299 S *	8/2005	Dunn	D30/158
5,321,868 A *	6/1994	Coulson	B41F 15/02	D520,994 S *	5/2006	Weiher	D14/356
			101/114	D521,740 S *	5/2006	Pryor	D4/135
5,333,343 A *	8/1994	Nichols	A47L 25/00	D524,983 S *	7/2006	Smith	D28/31
			15/106	D528,722 S *	9/2006	Hughes	D32/46
5,353,817 A *	10/1994	Kantor	A01K 13/002	7,107,645 B2 *	9/2006	Bressler	A47L 23/12
			119/625				15/105.52
D352,432 S *	11/1994	Monroe	D32/41	D545,013 S *	6/2007	Santiago	D32/35
5,441,185 A *	8/1995	Dragos	A45F 5/02	D545,015 S *	6/2007	Santiago	D32/35
			15/236.01	D548,907 S *	8/2007	Killen	D32/41
D369,886 S *	5/1996	McCollum	D32/46	D568,050 S *	5/2008	Huang	D4/120
5,524,316 A *	6/1996	Johnson	B05C 17/10	D609,916 S *	2/2010	Benson	D32/35
			15/210.5	D609,917 S *	2/2010	Benson	D32/35
5,632,289 A *	5/1997	Sharp	A01K 13/002	D618,804 S *	6/2010	Borregaard	D24/174
			132/116	7,806,033 B2 *	10/2010	Kocher	B23D 61/121
5,666,732 A *	9/1997	Shea	B26B 5/006				83/835
			30/169	D630,614 S *	1/2011	Lee	D14/203.3
5,690,057 A *	11/1997	Curry	A01K 13/002	D630,615 S *	1/2011	Lee	D14/203.3
			119/623	D639,788 S *	6/2011	Borregaard	D14/224.1
D388,569 S *	12/1997	Israel	D32/35	D692,145 S *	10/2013	Al-Ali	D24/186
5,809,608 A *	9/1998	Zadro	B41F 15/44	8,847,123 B2 *	9/2014	Shoshan	A47J 37/04
			15/245				219/520
5,865,945 A *	2/1999	McConaughy	B29C 63/0004	8,967,157 B2 *	3/2015	Steiner	A45D 24/10
			156/579				132/150
5,870,851 A *	2/1999	Shoemaker	A01K 13/002	9,199,321 B2 *	12/2015	Novak	B23D 61/121
			119/626	9,248,518 B2 *	2/2016	Elliston	B23D 61/121
D407,161 S *	3/1999	Daugherty	D25/128	D758,741 S *	6/2016	Sussman	D32/46
D410,177 S *	5/1999	Carder	D7/693	9,474,250 B1 *	10/2016	Tipton	A01K 13/002
5,987,687 A *	11/1999	Kilburn	A46B 5/02	D805,376 S *	12/2017	Heindl	D8/382
			15/143.1	D817,560 S *	5/2018	Tipton	D30/159
6,023,811 A *	2/2000	Ciarrocchi	A47L 13/022	D824,240 S *	7/2018	Harrier	D8/349
			15/236.01	2002/0073930 A1 *	6/2002	Kan	A01K 13/002
D422,124 S *	3/2000	Rimback	D32/41				119/631
6,042,013 A *	3/2000	Fork	G06K 7/10732	2002/0100135 A1 *	8/2002	Machesky	A47L 1/06
			235/469				15/245
D423,229 S *	4/2000	Chen	D4/136	2004/0035282 A1 *	2/2004	Tsujimoto	B23D 61/021
D428,315 S *	7/2000	Baker	D8/14				83/849
6,082,307 A *	7/2000	Landreneau	A01K 13/002	2005/0034263 A1 *	2/2005	Killen	A47L 1/06
			119/616				15/245
D451,639 S *	12/2001	Lior	D28/10	2005/0087084 A1 *	4/2005	Gray	B41F 15/02
D451,680 S *	12/2001	Holmes	D4/136				101/123
D454,254 S *	3/2002	Hellinger	D4/138	2006/0042035 A1 *	3/2006	Liu	A47L 1/06
D461,281 S *	8/2002	Lee	D28/24				15/245
D462,529 S *	9/2002	Best	D32/74	2006/0243293 A1 *	11/2006	Lanne	A45D 24/30
6,453,970 B1 *	9/2002	Stone	B29C 63/0004				132/163
			15/245	2007/0157407 A1 *	7/2007	Lin	A46B 3/08
6,516,490 B1 *	2/2003	Hatala	A47L 13/08				15/184
			15/236.01	2007/0209136 A1 *	9/2007	Eriksson	B44D 3/164
D472,346 S *	3/2003	Lee	D28/24				15/236.01
6,604,768 B2 *	8/2003	Stevenson	B28C 5/4203	2007/0251372 A1 *	11/2007	Petts	B23D 61/021
			15/236.07				83/846
D479,405 S *	9/2003	Bressler	A47L 23/12	2013/0180375 A1 *	7/2013	Rearick	B23D 61/121
			D4/121				83/849
D488,898 S *	4/2004	Ben-Moshe	D32/41	2015/0047576 A1 *	2/2015	Dauphin	A01K 13/002
							119/633
				2016/0366855 A1 *	12/2016	Jangula	A01K 13/002
				2018/0042358 A1 *	2/2018	Wilson	A45D 24/30

* cited by examiner

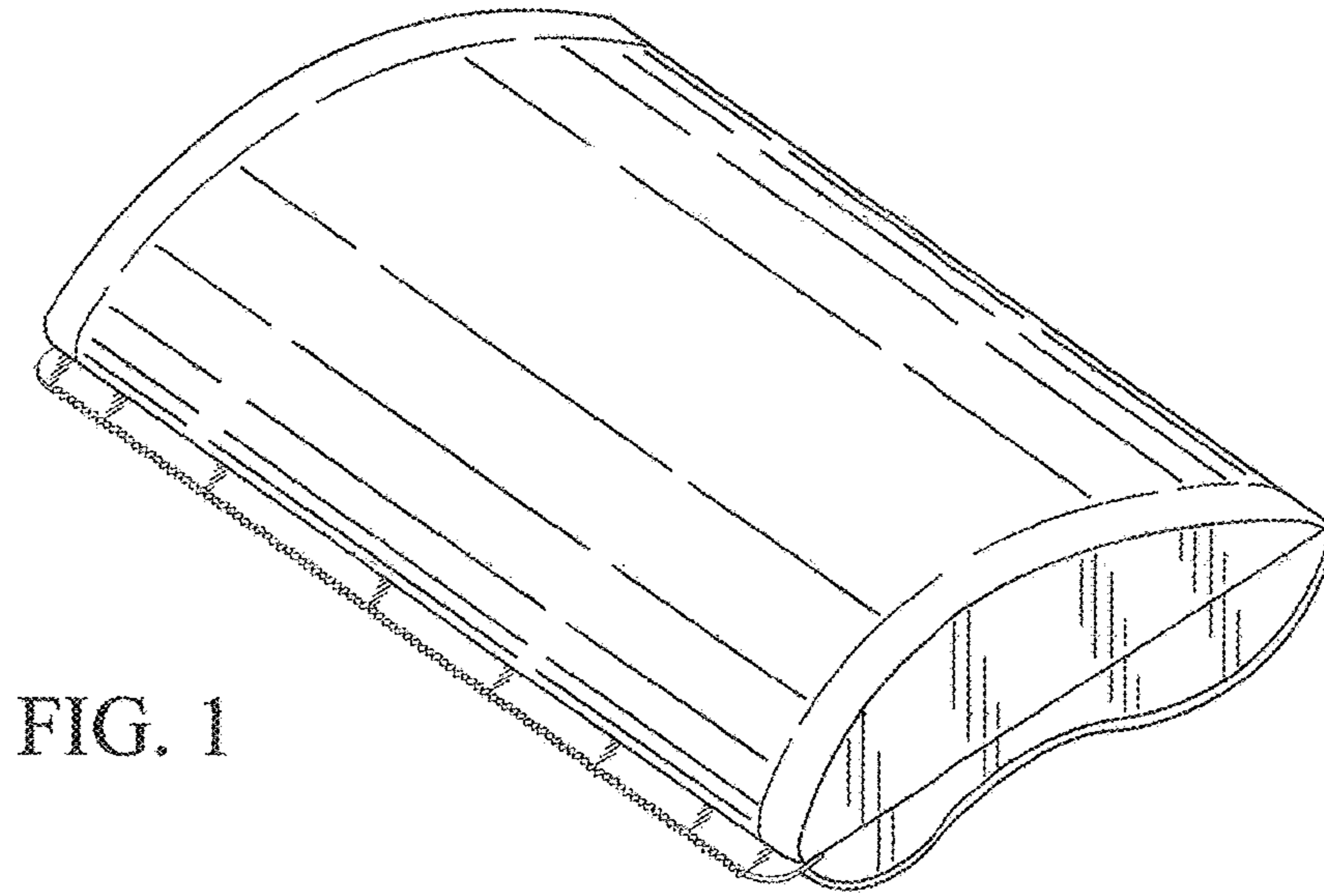


FIG. 1

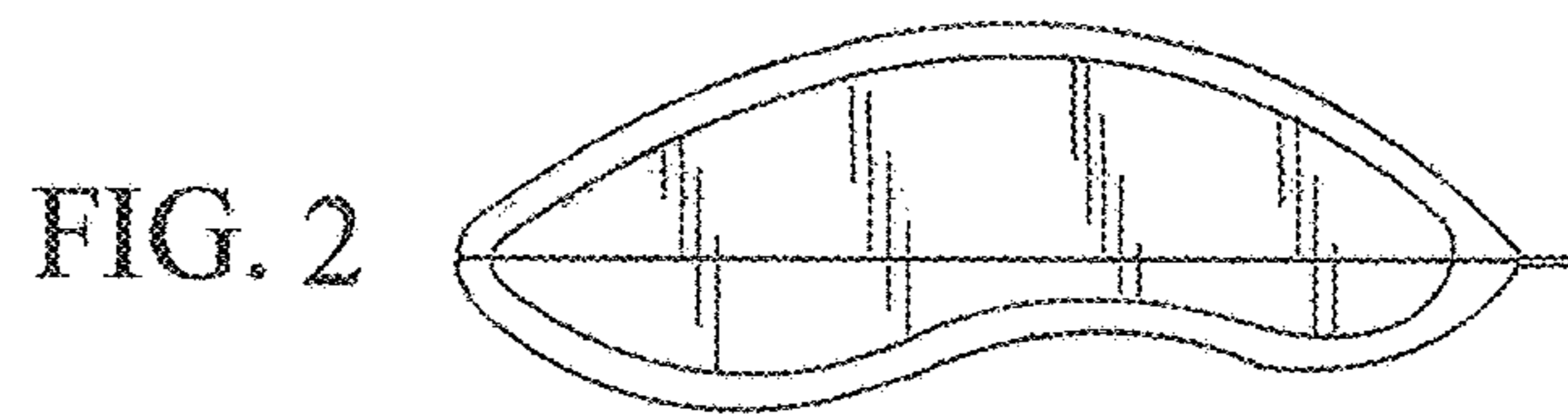


FIG. 2

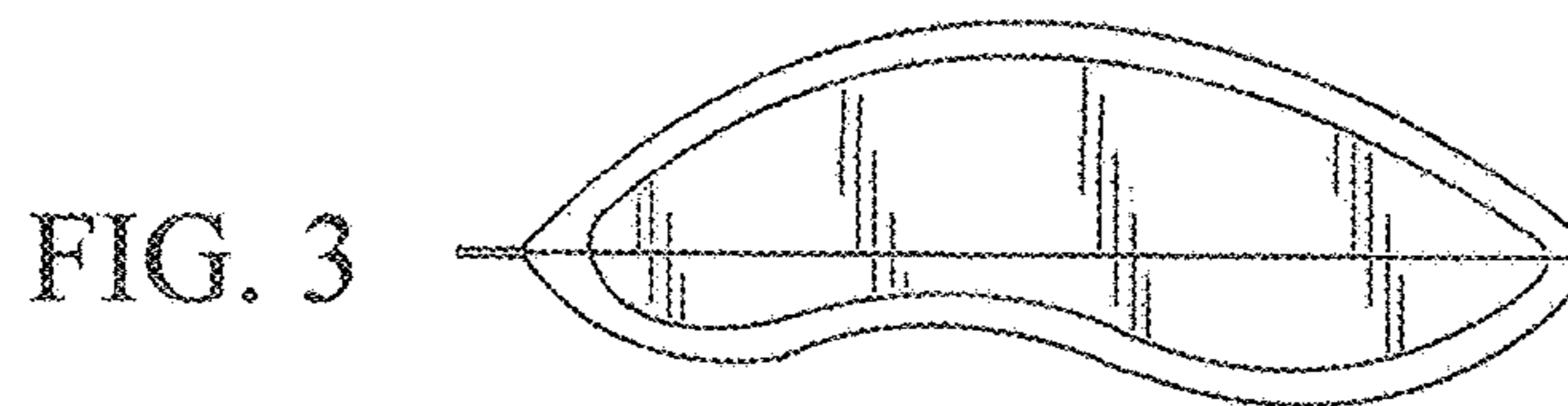


FIG. 3

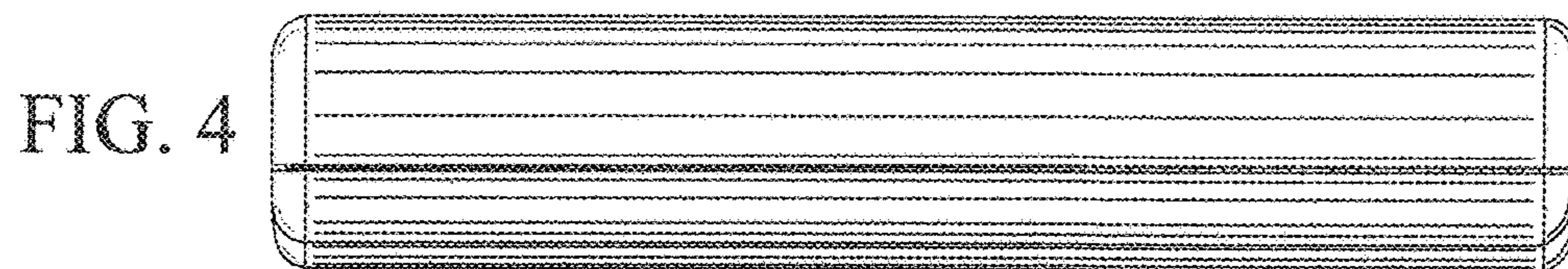


FIG. 4

FIG. 5

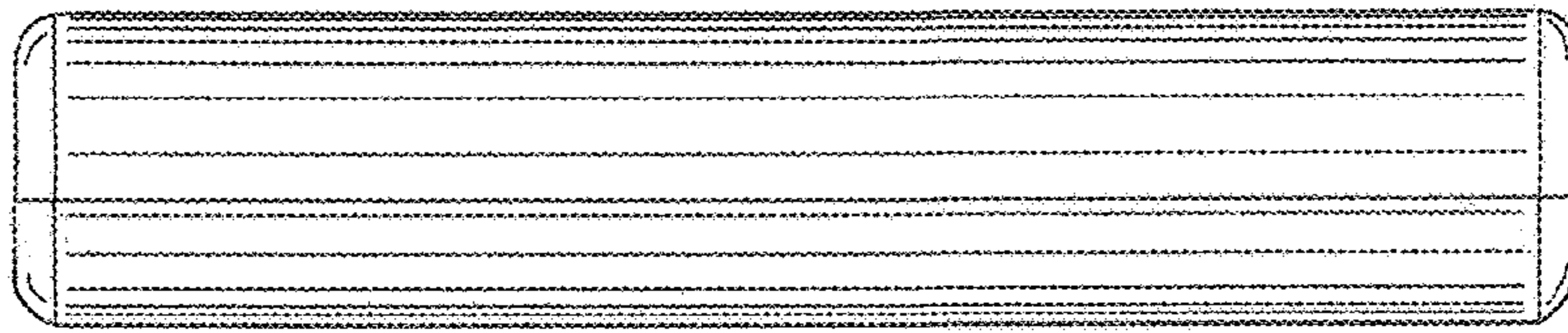


FIG. 6

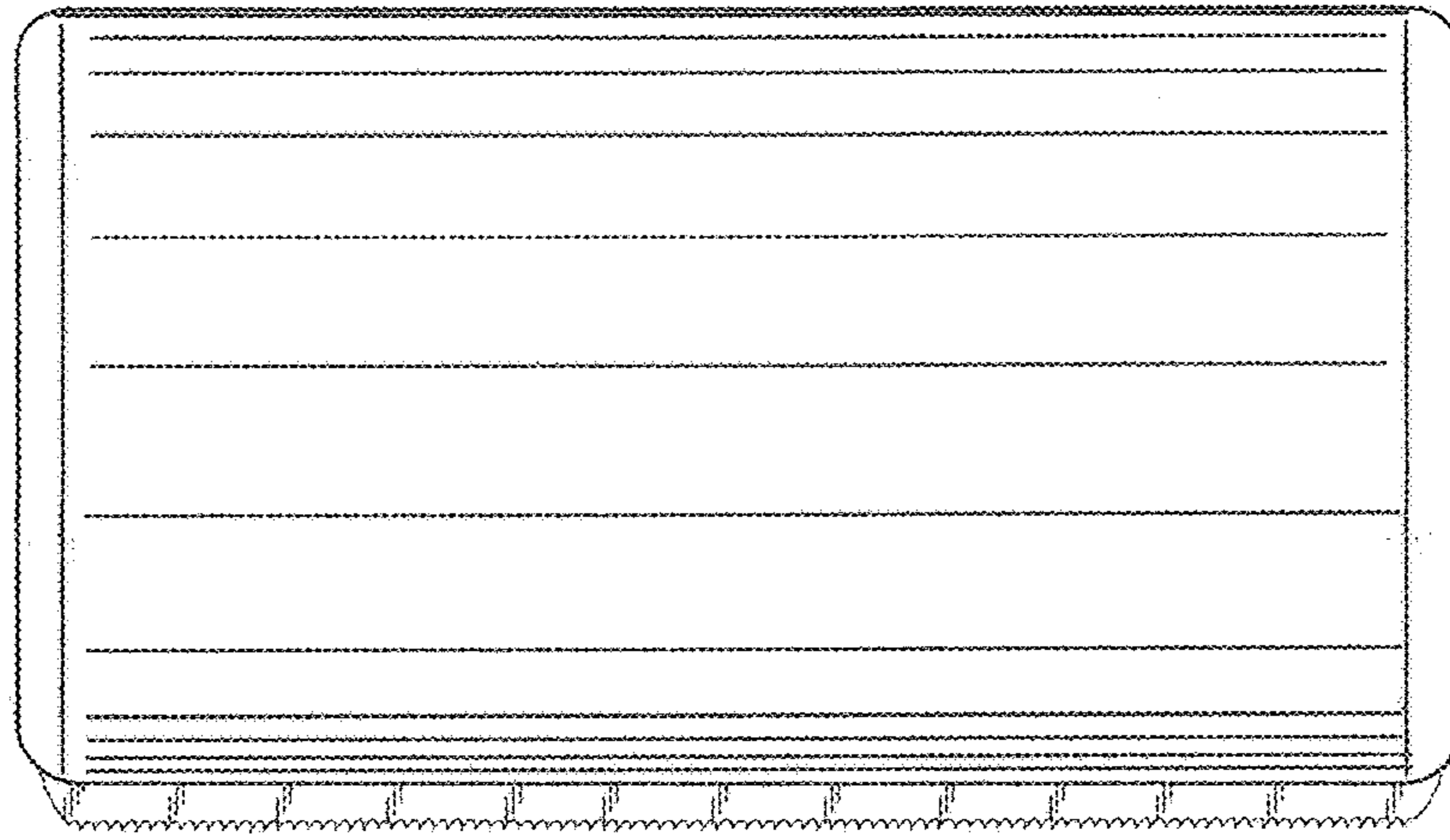


FIG. 7

