



US00D835855S

(12) **United States Design Patent**
Geselle

(10) **Patent No.:** **US D835,855 S**

(45) **Date of Patent:** **** Dec. 11, 2018**

(54) **SADDLE RACK**

7,337,855 B2 * 3/2008 Keeler A01L 11/00
168/44

(71) Applicant: **James Byron Geselle**, Spring Hill, TN
(US)

D578,713 S * 10/2008 Keeler D30/143
7,770,741 B2 * 8/2010 Oliver B68B 9/00
211/181.1

(72) Inventor: **James Byron Geselle**, Spring Hill, TN
(US)

* cited by examiner

(**) Term: **15 Years**

Primary Examiner — George D. Kirschbaum

Assistant Examiner — Jennifer L. Watkins

(74) *Attorney, Agent, or Firm* — R. Tracy Crump

(21) Appl. No.: **29/587,029**

(57) **CLAIM**

I claim the ornamental design for a saddle rack, as shown and described.

(22) Filed: **Dec. 8, 2016**

(51) **LOC (11) Cl.** **30-04**

DESCRIPTION

(52) **U.S. Cl.**

USPC **D30/143**

(58) **Field of Classification Search**

USPC D30/134–143

CPC B68C 1/002

See application file for complete search history.

FIG. 1 is a top perspective view of a saddle rack showing my design;

FIG. 2 is a bottom perspective view thereof;

FIG. 3 is a left side view thereof;

FIG. 4 is a right side view thereof;

FIG. 5 is a front view thereof;

FIG. 6 is a rear view thereof;

FIG. 7 is a top view thereof;

FIG. 8 is a bottom view thereof; and,

FIG. 9 is a left side view thereof showing a conventional horse saddle rested atop the saddle rack.

The broken lines in FIG. 9 represents a conventional horse saddle rested atop the saddle rack and are for environmental purposes only and form no part of the claimed design.

(56) **References Cited**

U.S. PATENT DOCUMENTS

D277,515 S * 2/1985 Secor D30/143

D284,122 S * 6/1986 Kizen D30/143

6,685,032 B2 * 2/2004 Kaufmann F16M 11/041
211/13.1

D509,327 S * 9/2005 Keeler 168/44

D509,631 S * 9/2005 Glassey D30/143

1 Claim, 9 Drawing Sheets

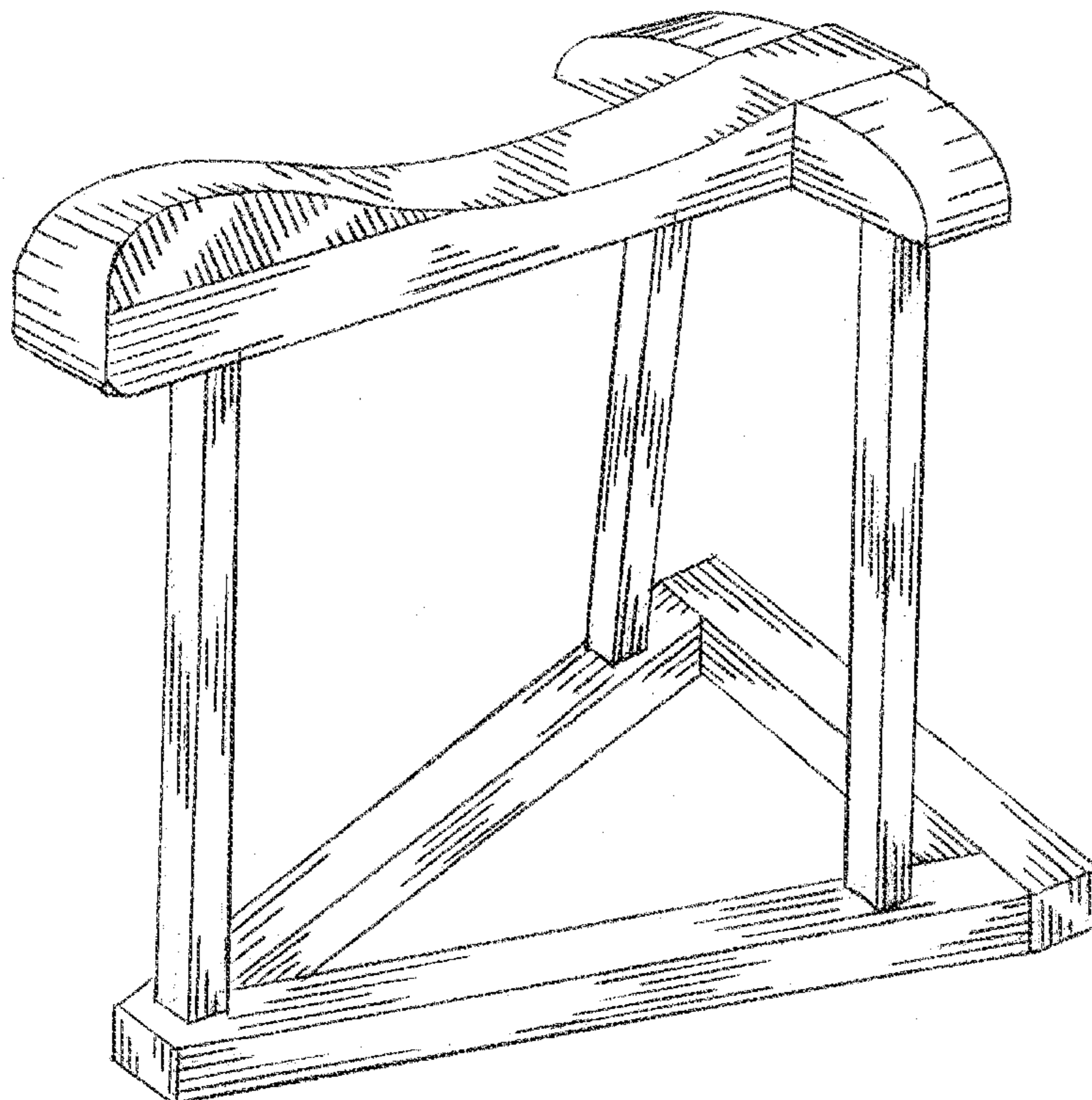
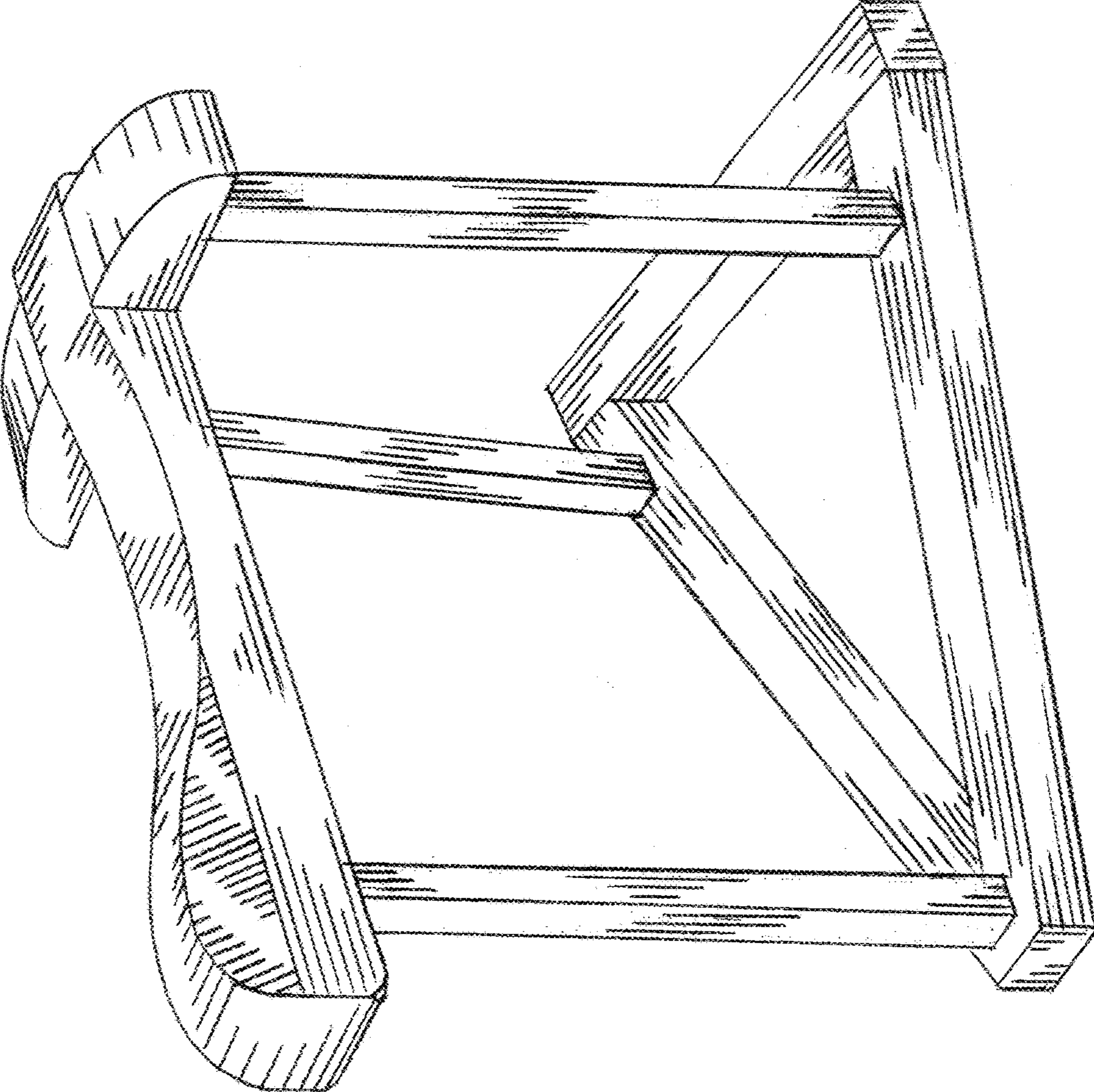


FIG. 1



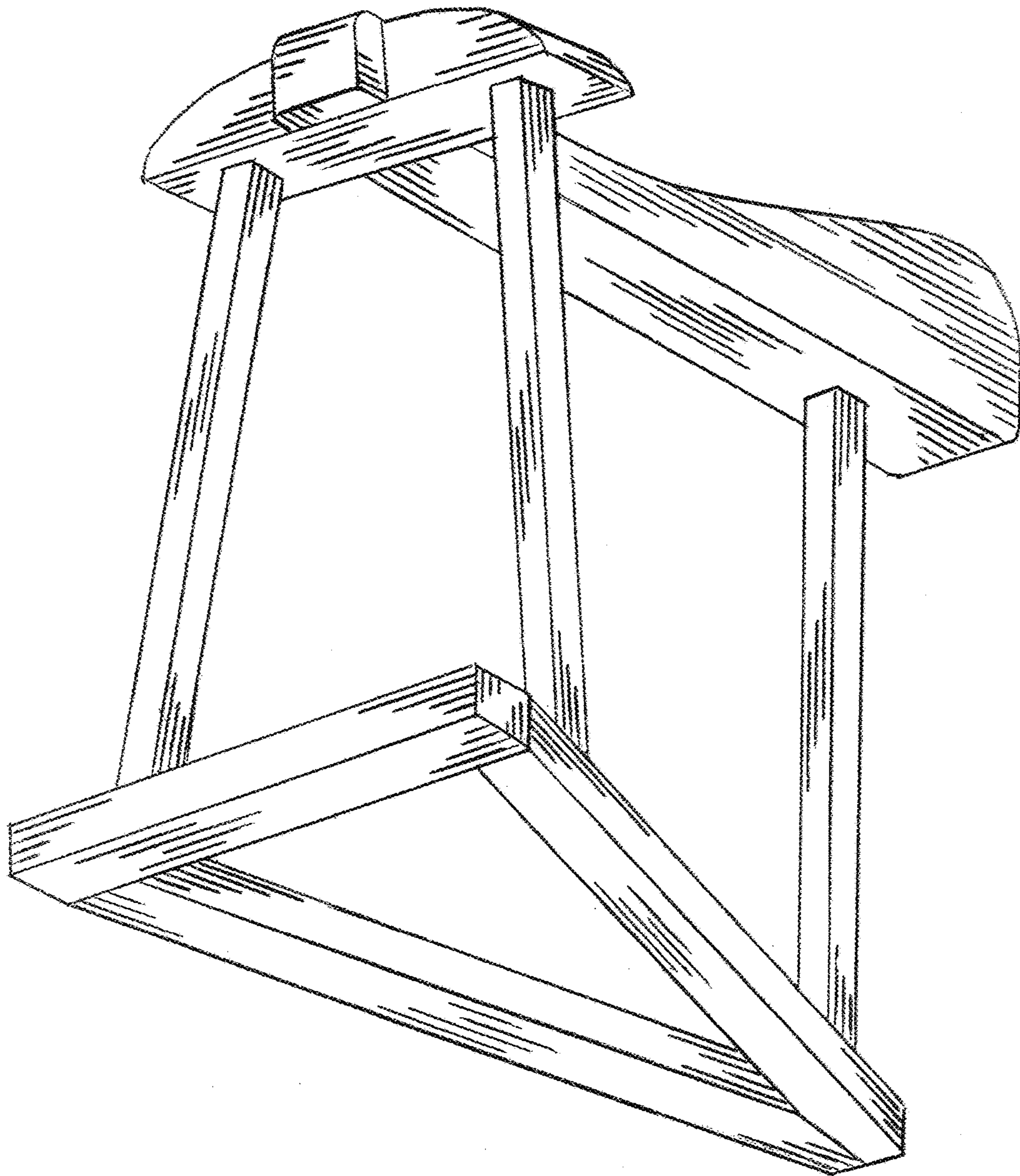
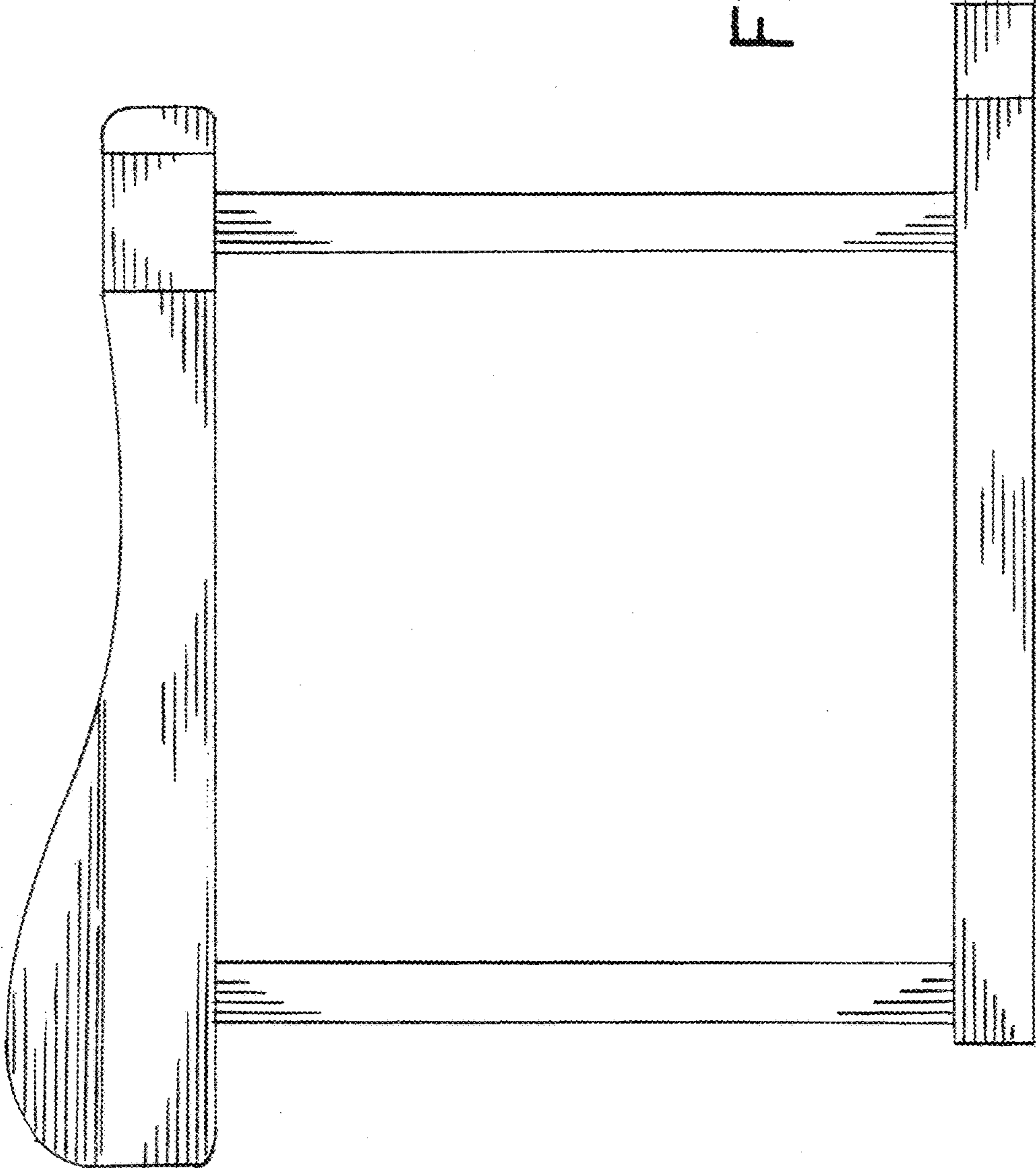


FIG. 2

FIG. 3



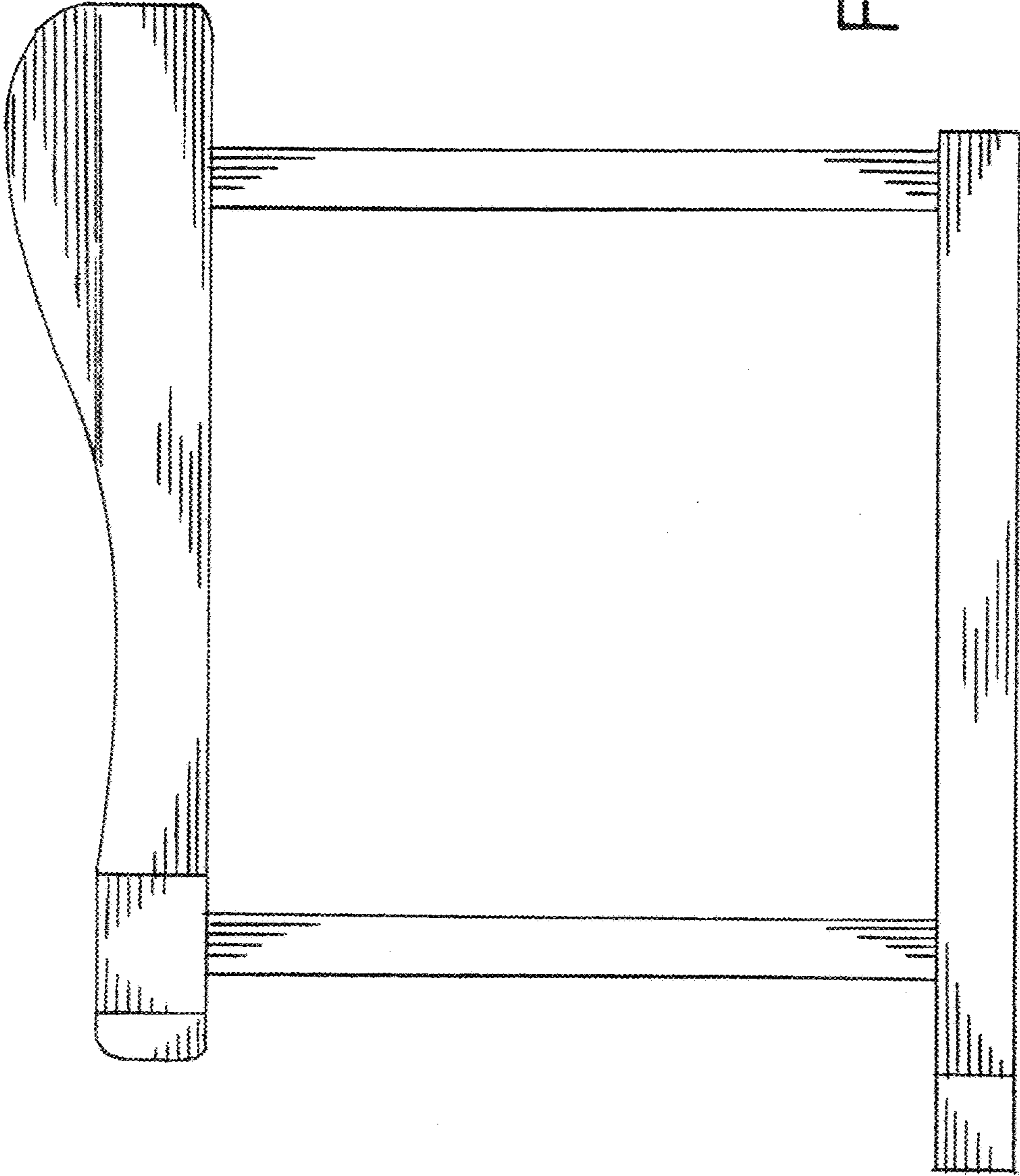


FIG.4

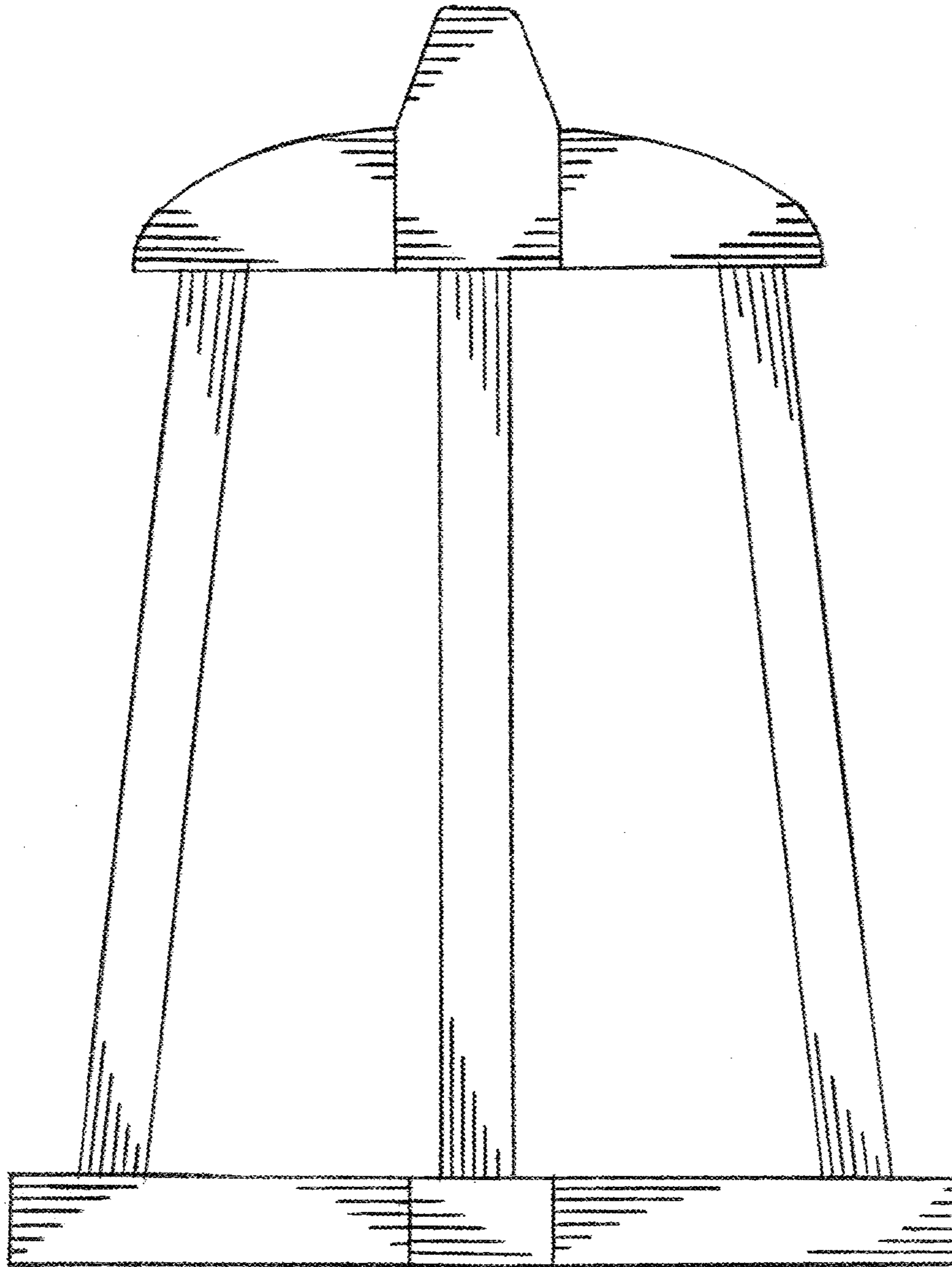


FIG. 5

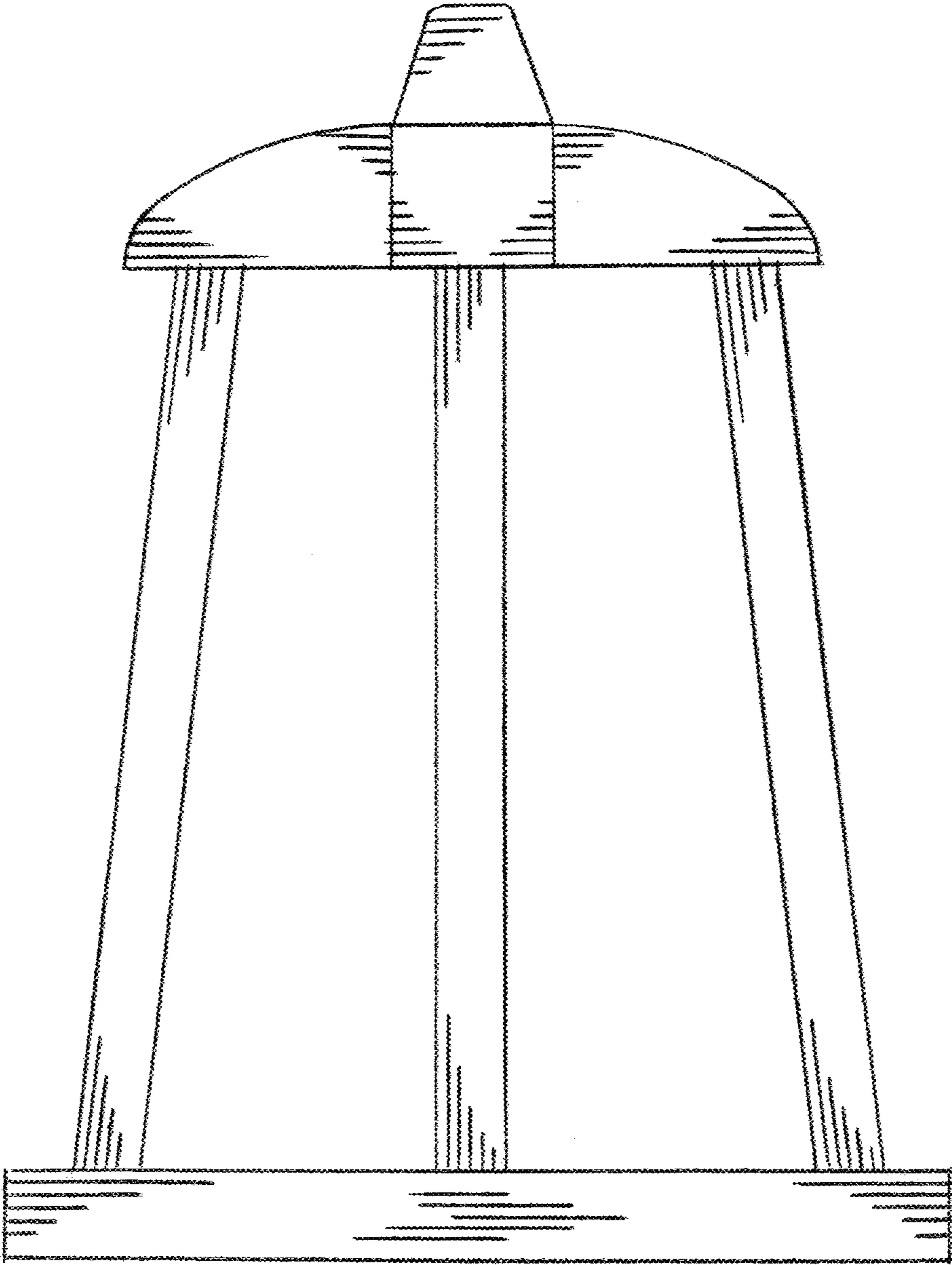


FIG. 6

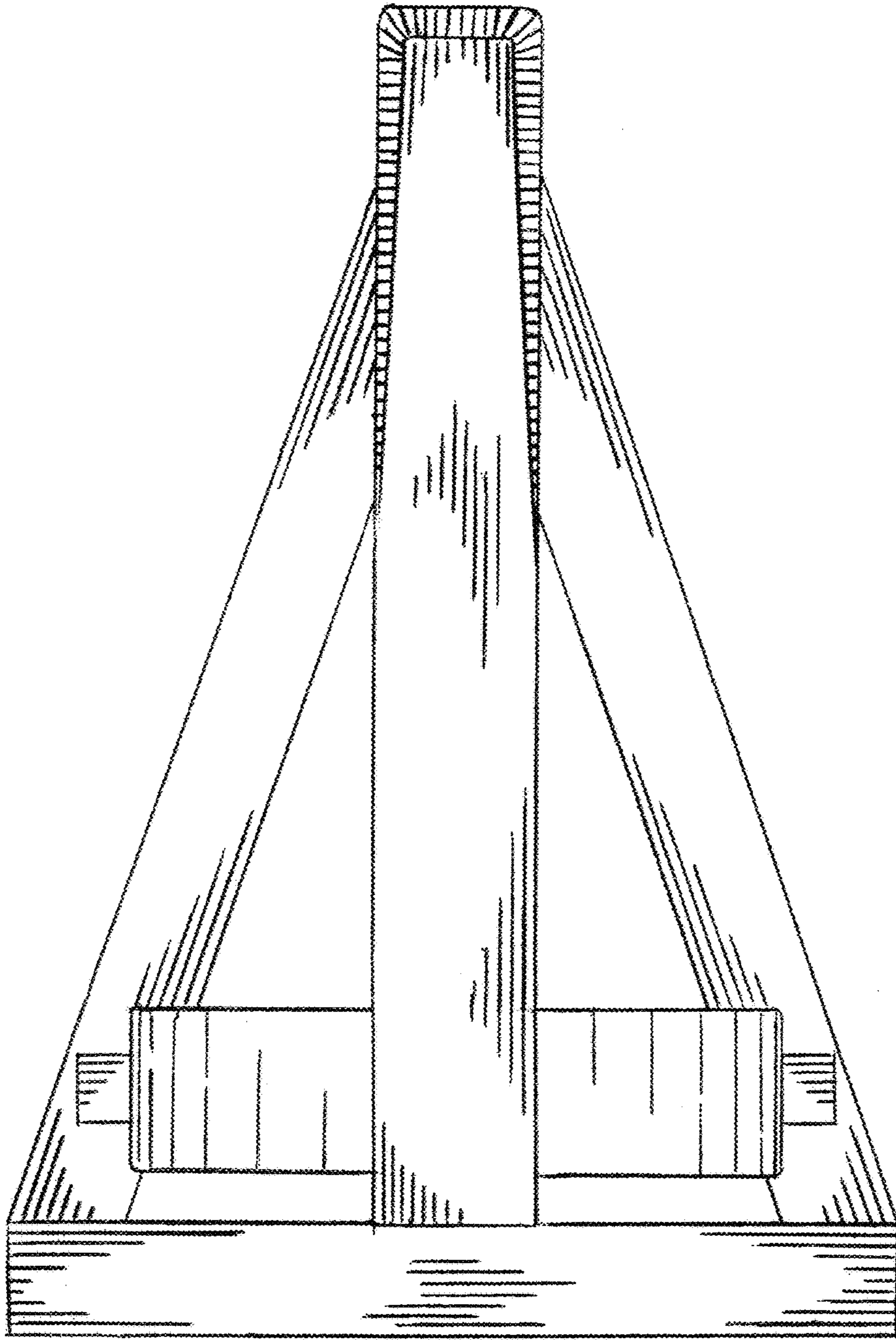


FIG. 7

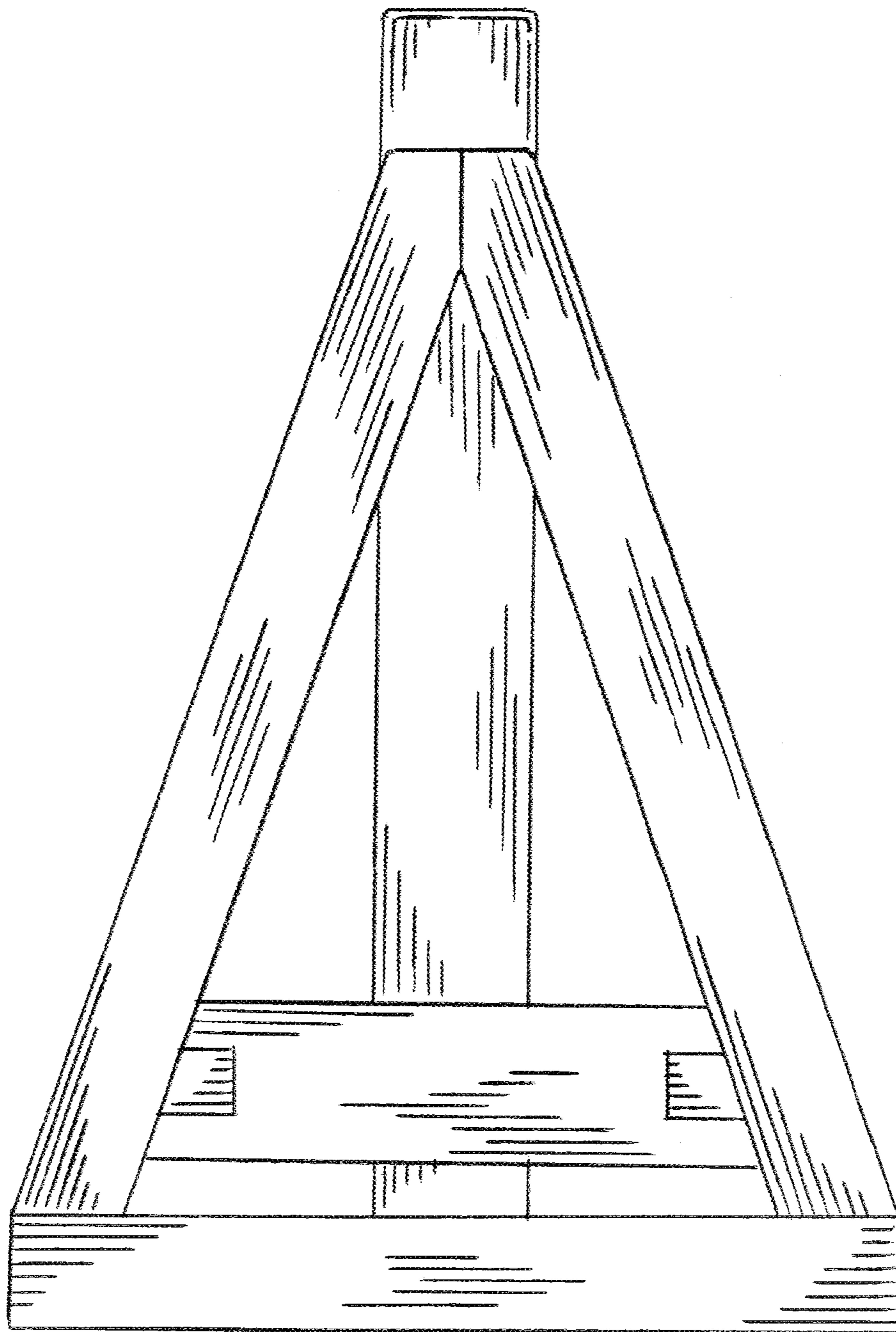


FIG. 8

FIG. 9

