



US00D835853S

(12) **United States Design Patent** (10) **Patent No.:** **US D835,853 S**
Seymour et al. (45) **Date of Patent:** **** Dec. 11, 2018**

(54) **PAIR OF FIRE EXTINGUISHER RELOADING WRENCHES**

(71) Applicants: **Justun C. Seymour**, Eau Claire, WI (US); **Daniel Stewart**, Eau Claire, WI (US); **Seth Rooney**, Chippewa Falls, WI (US)

(72) Inventors: **Justun C. Seymour**, Eau Claire, WI (US); **Daniel Stewart**, Eau Claire, WI (US); **Seth Rooney**, Chippewa Falls, WI (US)

(**) Term: **15 Years**

(21) Appl. No.: **29/602,221**

(22) Filed: **Apr. 28, 2017**

(51) **LOC (11) Cl.** **29-02**

(52) **U.S. Cl.**
USPC **D29/125; D8/21**

(58) **Field of Classification Search**
USPC D23/355-369, 213, 214, 223, 224, 225, D23/231; D28/5, 6; 261/DIG. 17, 261/DIG. 42, DIG. 65, DIG. 88, DIG. 89, 261/DIG. 47, DIG. 55, DIG. 70; 392/356, 392/390, 392, 394, 395; 239/34, 44, 53, 239/55, 56, 326, 60, 308, 589; D9/687, D9/600, 695; D7/591; D29/125, 126,
(Continued)

(56) **References Cited**

U.S. PATENT DOCUMENTS

D59,319 S 10/1921 Andrews
D121,011 S 3/1940 Grant, Jr.
(Continued)

Primary Examiner — Randall H Gholson

(74) *Attorney, Agent, or Firm* — Kirk A. Buhler; Buhler & Associates

(57) **CLAIM**

The ornamental design for a pair of fire extinguisher reloading wrenches, as shown and described.

DESCRIPTION

This application incorporates by reference in its entirety and claims priority from the following applications: U.S. Ser. No. 29/526,021 filed 5 May 2015, entitled Fire Extinguisher, U.S. Ser. No. 29/505,639 filed 24 Dec. 2015, entitled Fire Extinguisher.

FIG. 1 is a top view of the bottom pair of fire extinguisher reloading wrenches showing our new design;

FIG. 2 is a front view of the bottom wrench thereof;

FIG. 3 is a bottom view of the bottom wrench thereof;

FIG. 4 is a rear view of the bottom wrench thereof;

FIG. 5 is a top perspective view of the bottom wrench thereof;

FIG. 6 is an exploded top perspective view of the bottom wrench thereof;

FIG. 7 is a top view of the top wrench thereof;

FIG. 8 is a bottom view of the top wrench thereof;

FIG. 9 is a front view of the top wrench thereof;

FIG. 10 is a rear view of the top wrench thereof;

FIG. 11 is a top perspective view of the top wrench thereof;

FIG. 12 is a top view of the top wrench and the bottom wrench on a fire extinguisher thereof;

FIG. 13A is a top perspective view of the top wrench and the bottom wrench on a fire extinguisher thereof;

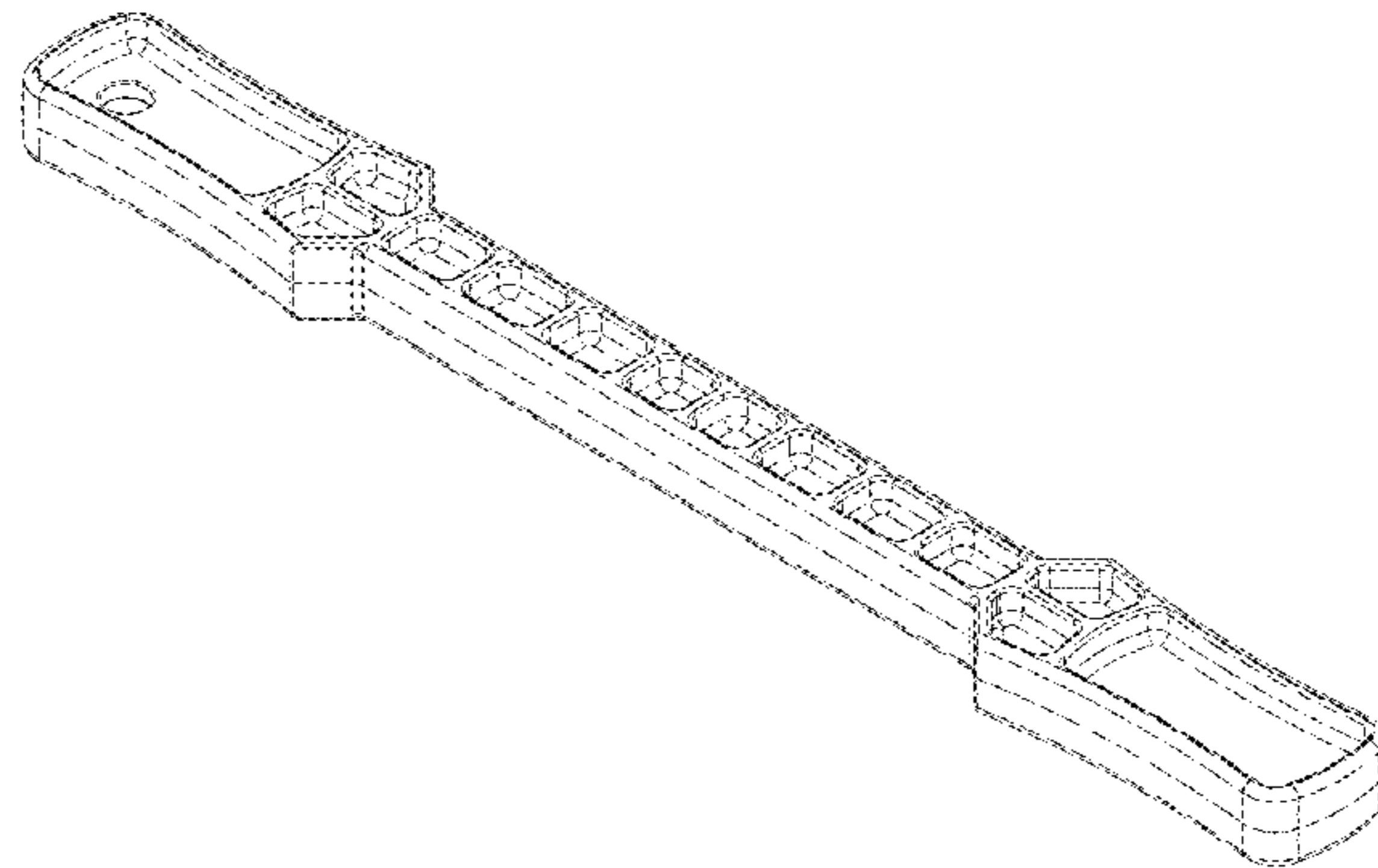
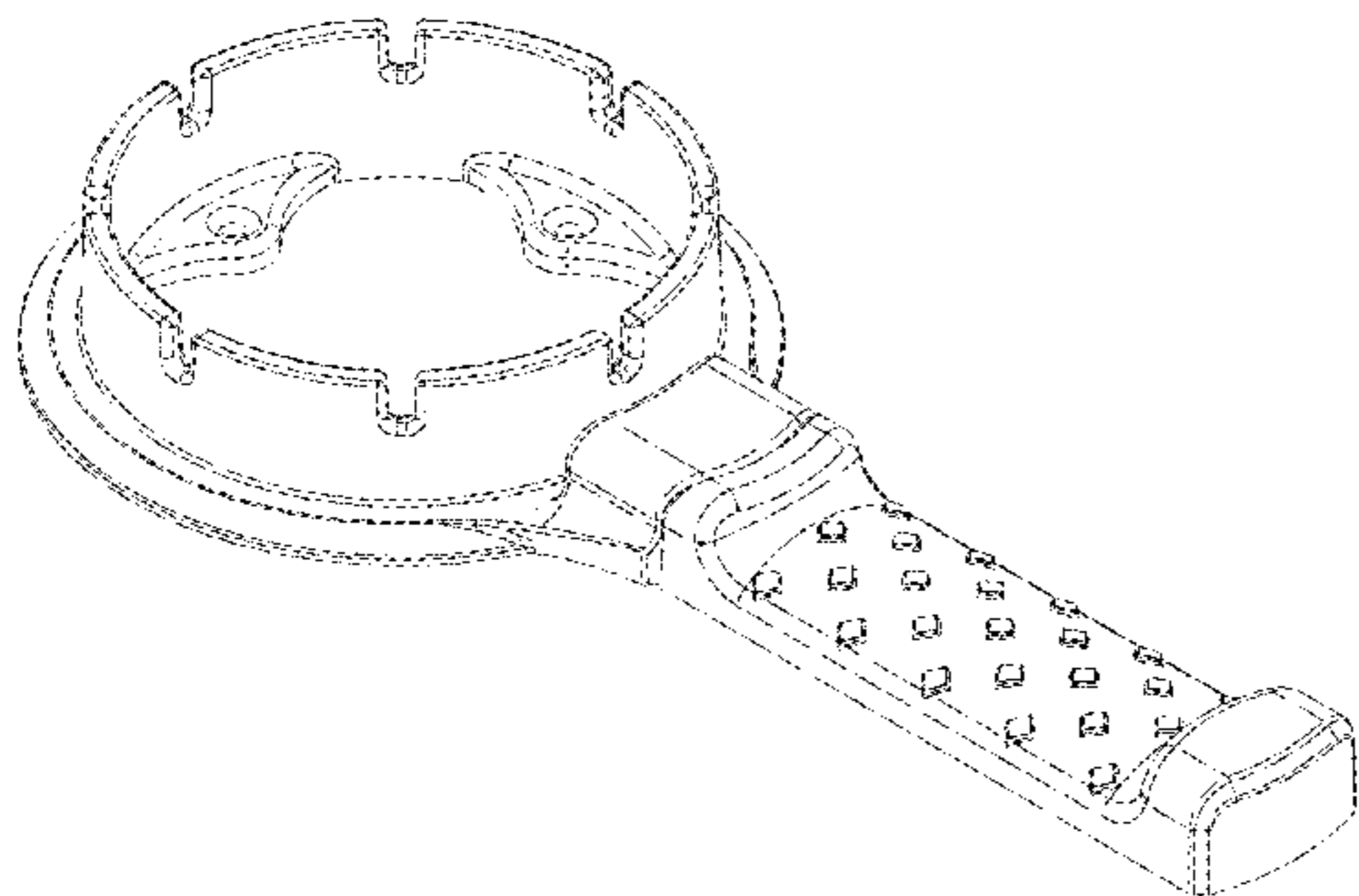
FIG. 13B is a top perspective view of the top wrench and the bottom wrench on a fire extinguisher thereof;

FIG. 14A is a top perspective view of the top wrench and the bottom wrench on a fire extinguisher thereof; and,

FIG. 14B is a top perspective view of the top wrench and the bottom wrench on a fire extinguisher thereof.

The features shown in broken lines in FIGS. 6, 12, 13A, 13B, 14A and 14B depict environmental subject matter only and form no part of the claimed design.

1 Claim, 10 Drawing Sheets



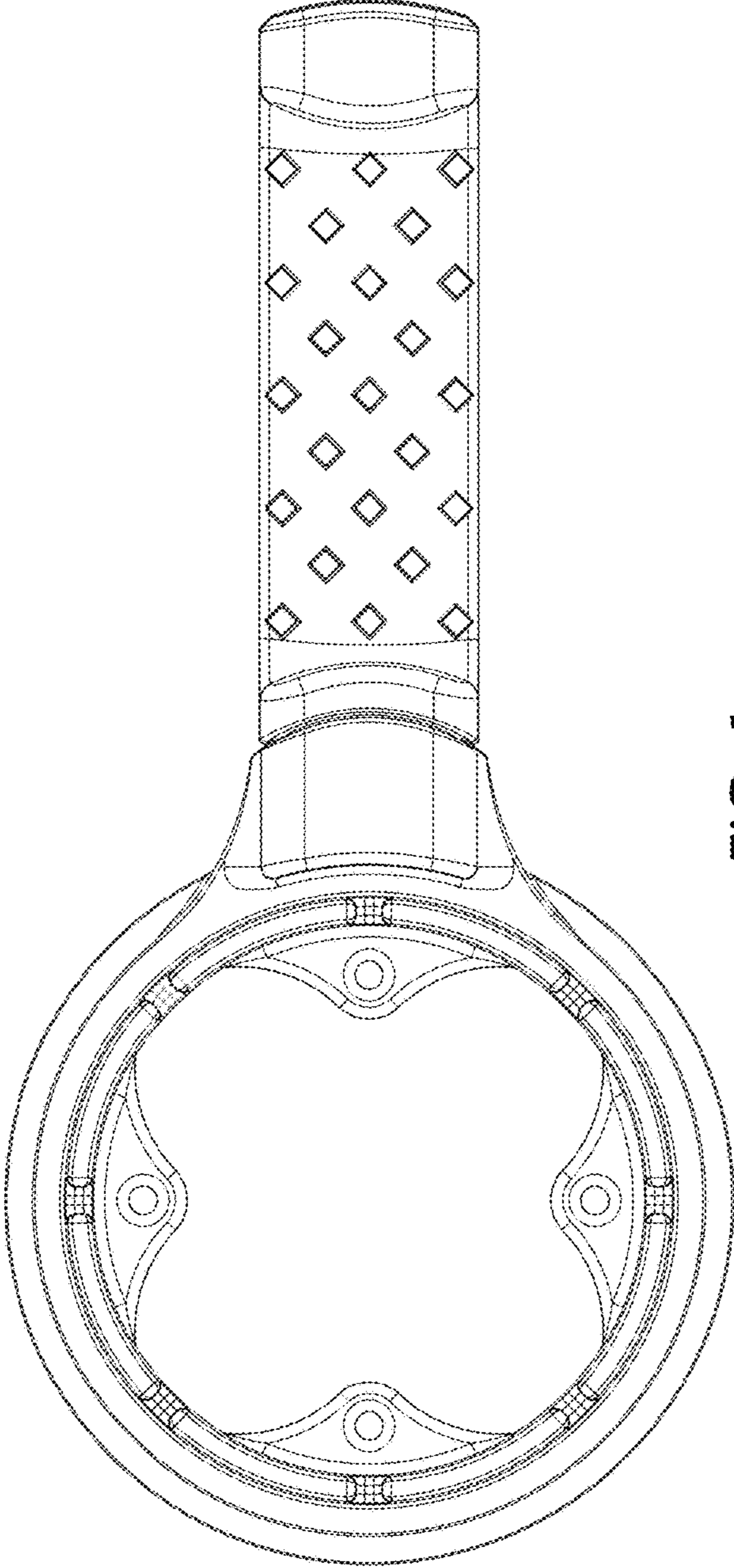


FIG. 1

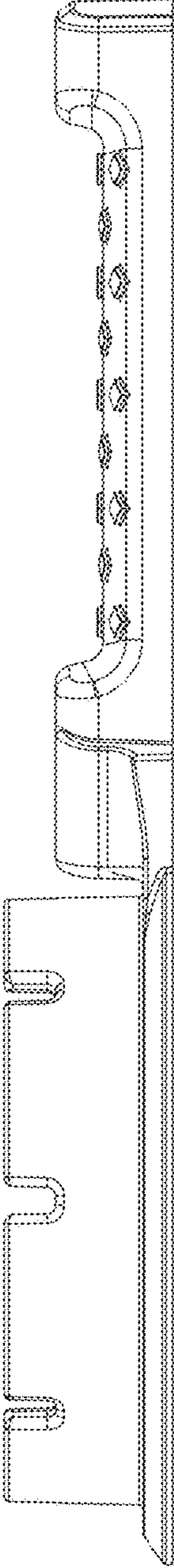


FIG. 2

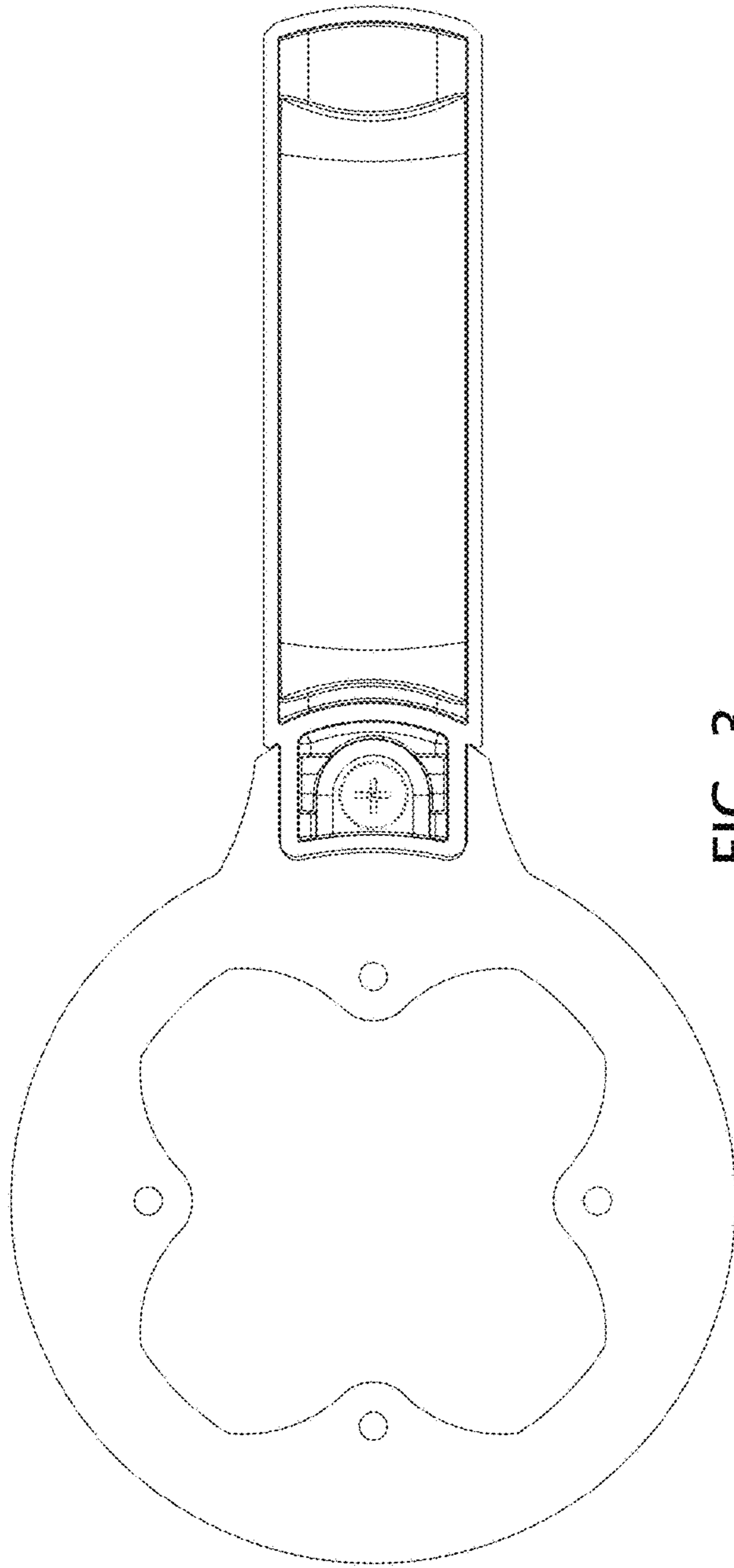


FIG. 3

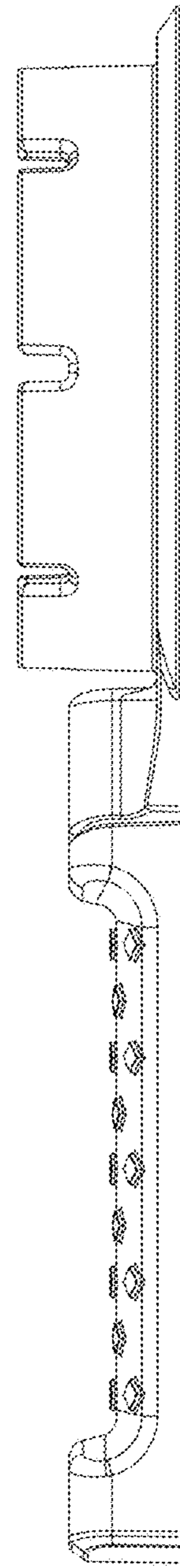


FIG. 4

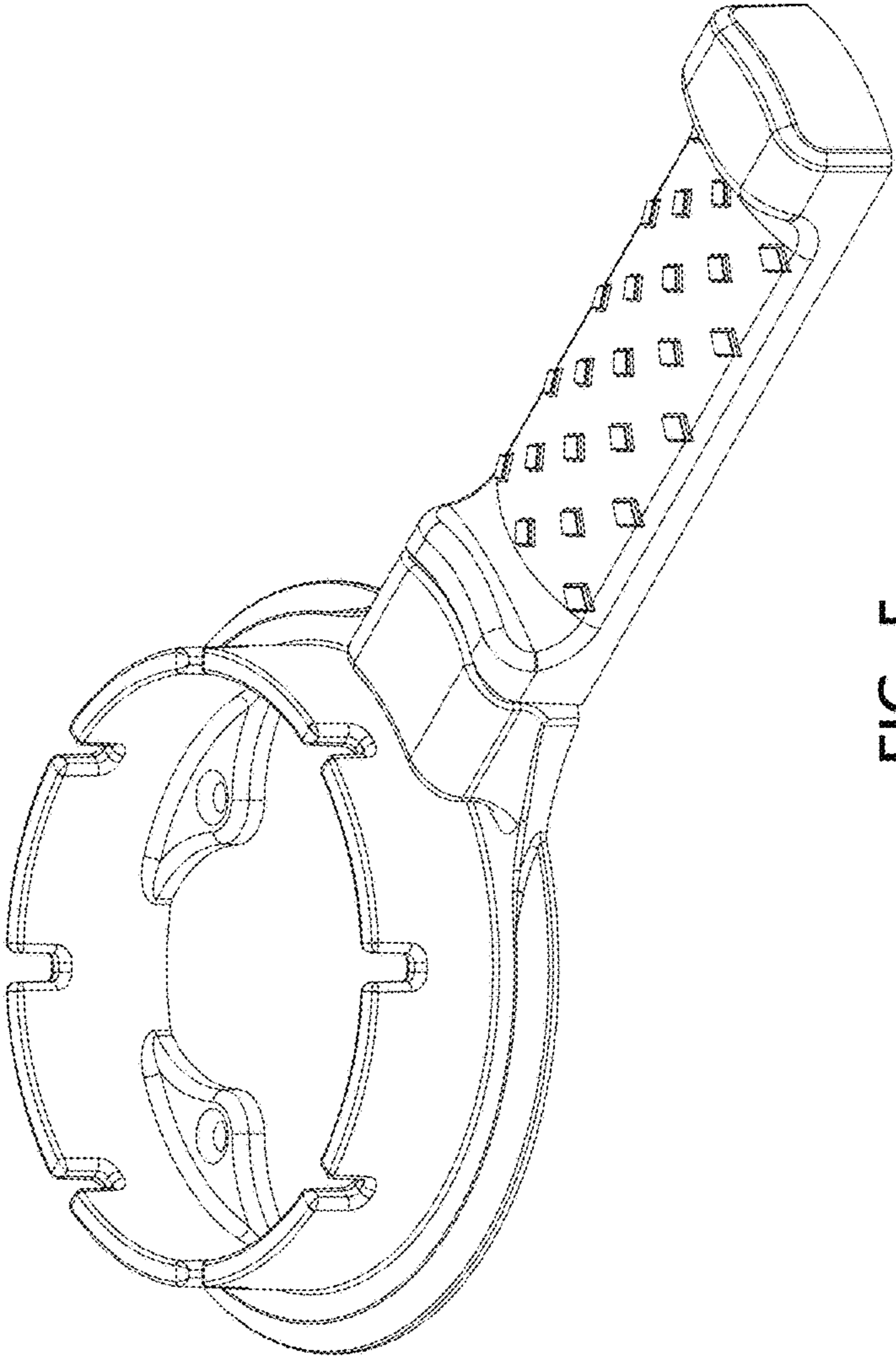


FIG. 5

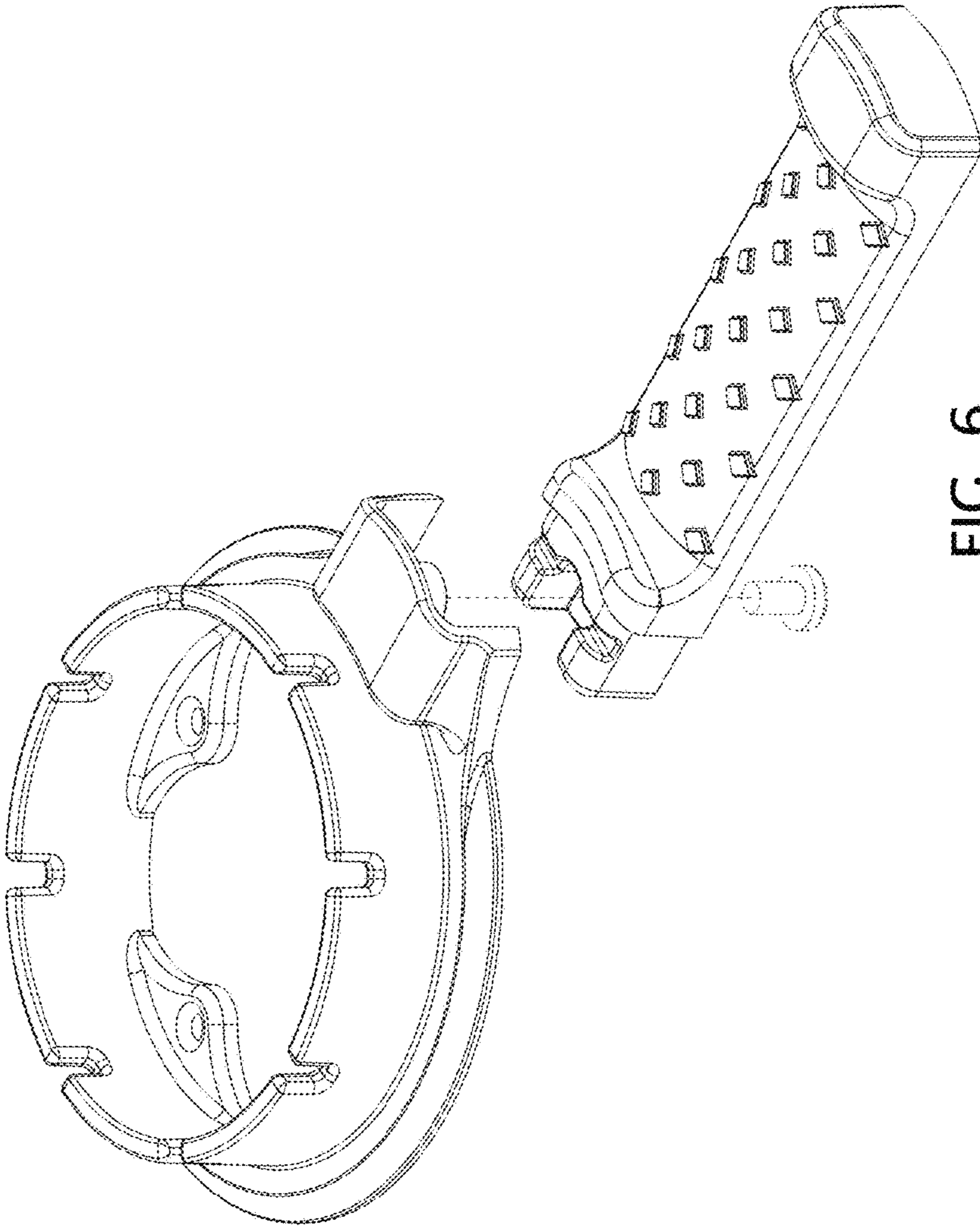


FIG. 6

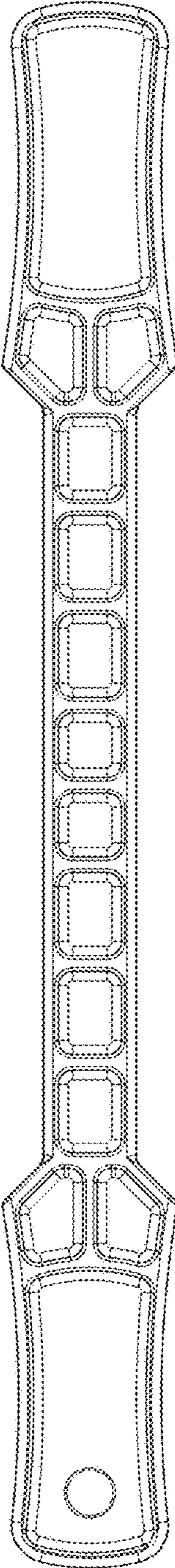


FIG. 7

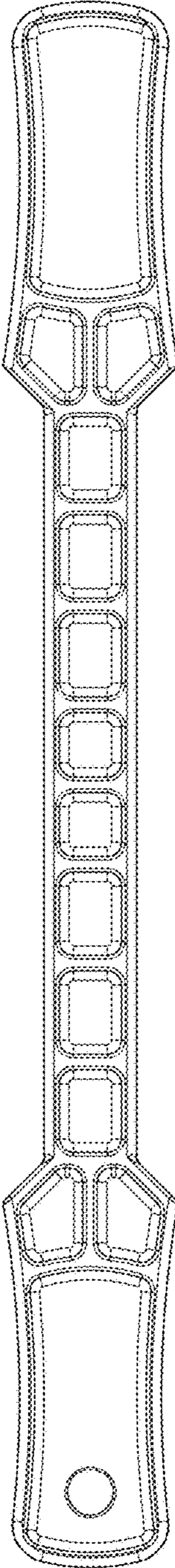


FIG. 8

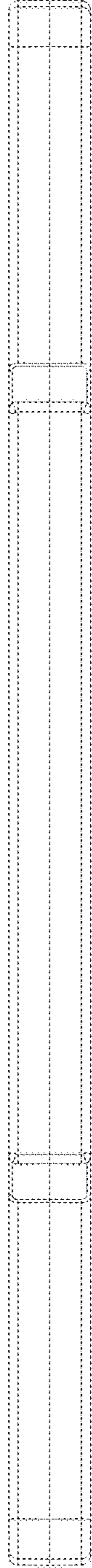


FIG. 9

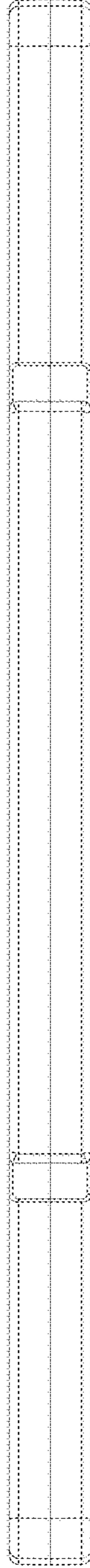


FIG. 10

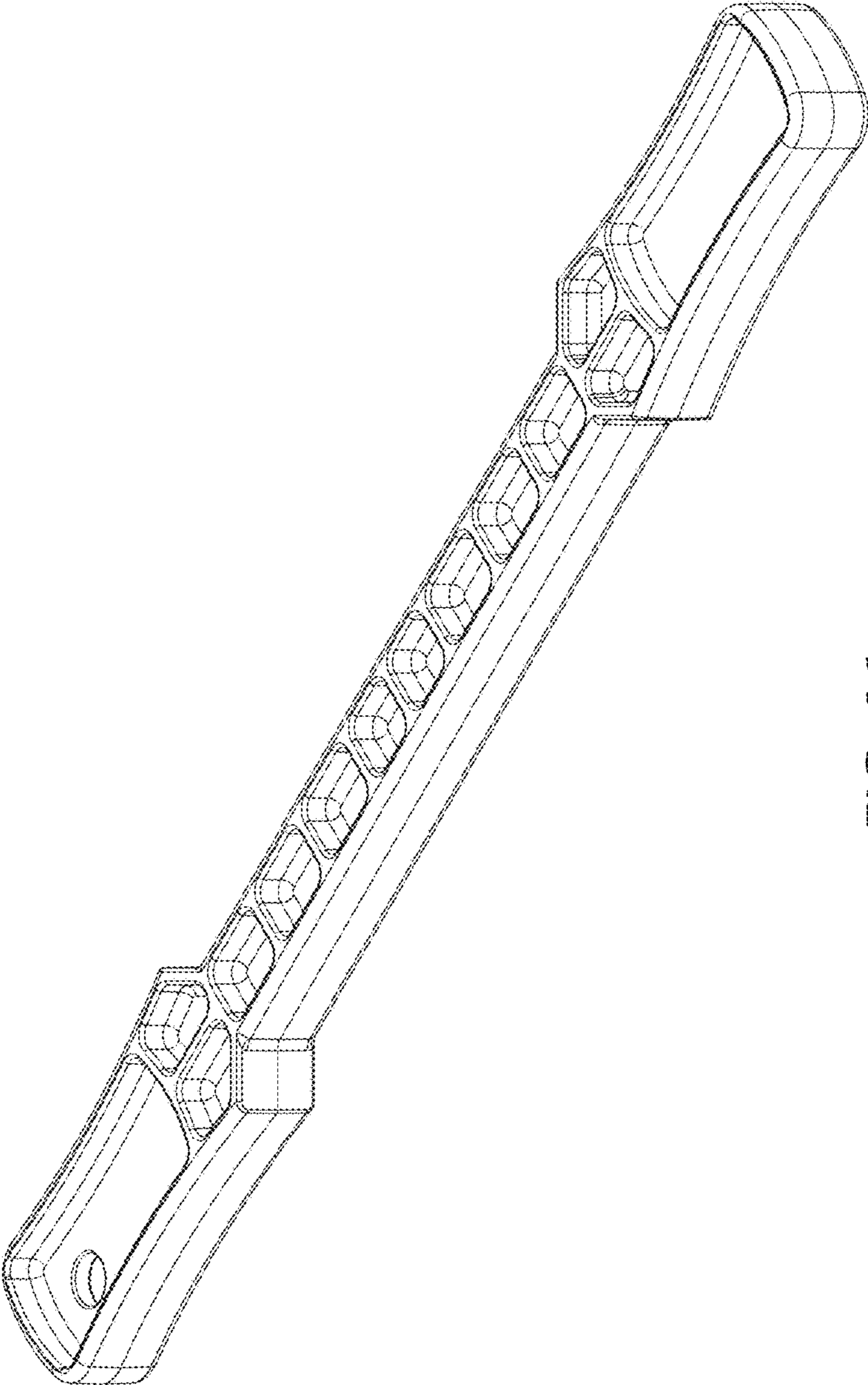


FIG. 11

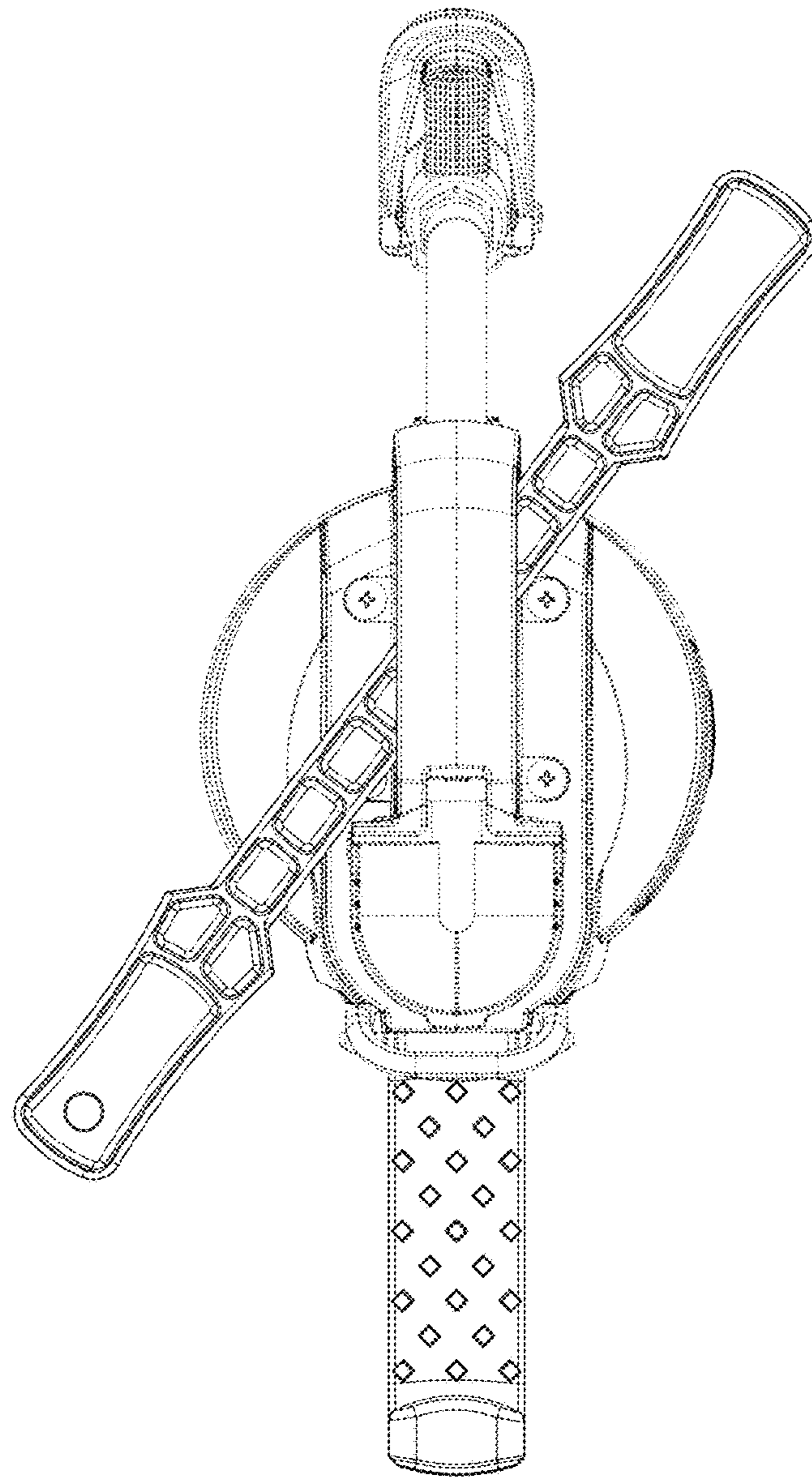


FIG. 12

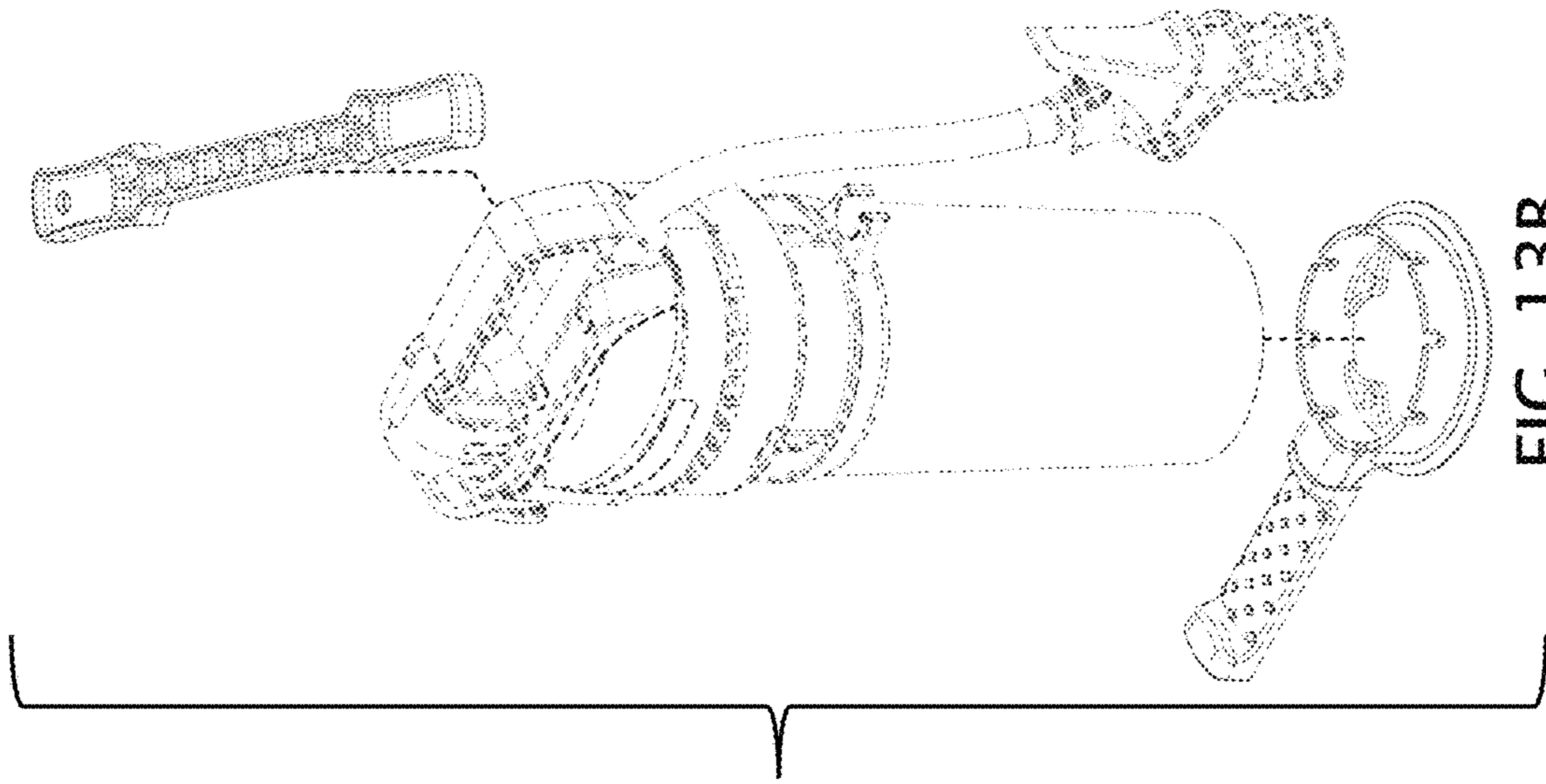


FIG. 13B

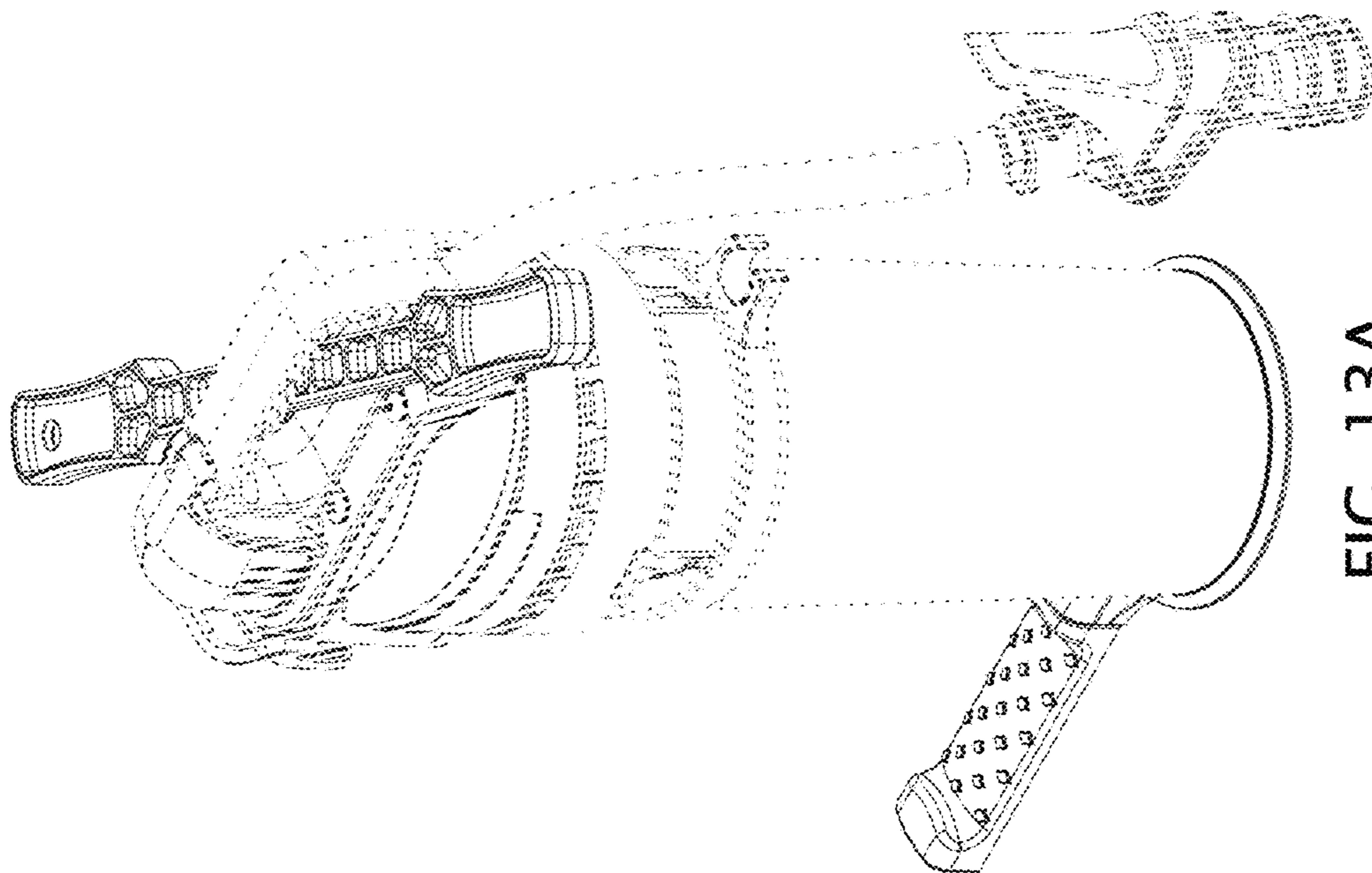


FIG. 13A

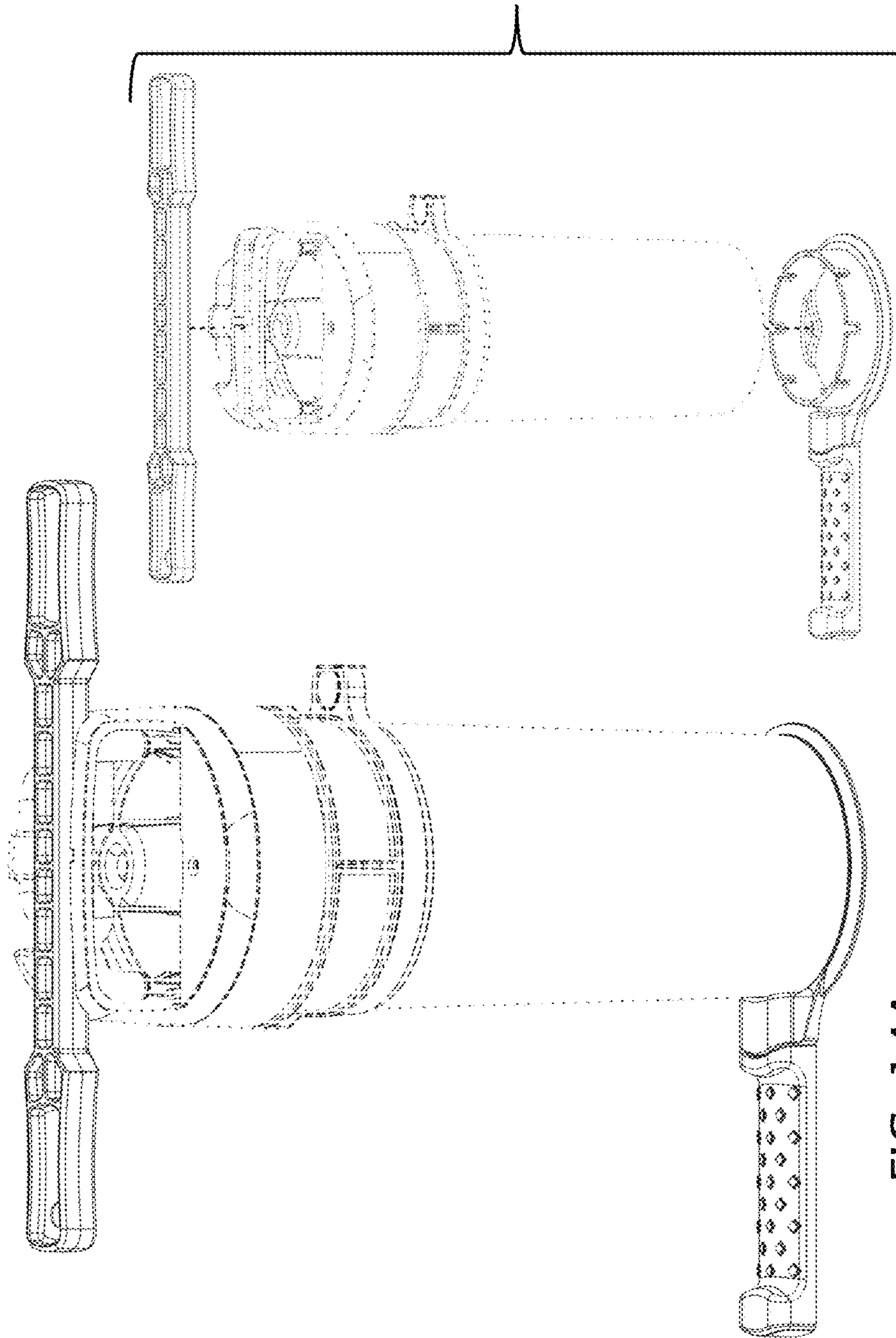


FIG. 14A

FIG. 14B