



US00D835852S

(12) **United States Design Patent** (10) **Patent No.:** **US D835,852 S**  
**Katopis** (45) **Date of Patent:** **\*\* Dec. 11, 2018**

- (54) **HELMET WITH DEVICE ELEMENT**
- (71) Applicant: **Chris Katopis**, Washington, DC (US)
- (72) Inventor: **Chris J. Katopis**, Washington, DC (US)
- (\*\*) Term: **15 Years**
- (21) Appl. No.: **29/610,374**
- (22) Filed: **Jul. 12, 2017**
- (51) **LOC (11) Cl.** ..... **29-02**
- (52) **U.S. Cl.**  
USPC ..... **D29/122; D29/107**
- (58) **Field of Classification Search**  
USPC ..... D29/100, 102, 104, 105, 106, 107, 108, D29/109, 110, 122  
CPC .. A42B 1/066; A42B 1/00; A42B 1/06; A42B 3/228; A42B 3/00; A42B 3/08; A42B 3/32; A42B 3/222; A42B 3/20; A42B 3/227; A42B 3/105; A42B 3/04; A42B 3/06; A42B 3/0406; A42B 3/18; A42B 3/166; A42B 3/16; A42B 3/22; A42B 3/0473; A42B 3/127; A63B 71/10; A63B 71/105; A41D 13/0512  
See application file for complete search history.

- D351,807 S 10/1994 Smith et al.
- D379,541 S 5/1997 Kaiser
- D394,720 S 5/1998 Yuen
- D399,580 S 10/1998 Feinbloom
- D410,293 S 5/1999 Prince
- D420,458 S 2/2000 Guercio
- D435,799 S 1/2001 Leen

(Continued)

**OTHER PUBLICATIONS**

“T2 Bike Helmet,” torchapparel.com [retrieved Jul. 12, 2017]  
<URL: www.torchapparel.com/>  
(Continued)

*Primary Examiner* — Randall H Gholson  
(74) *Attorney, Agent, or Firm* — Chris J. Katopis

(57) **CLAIM**

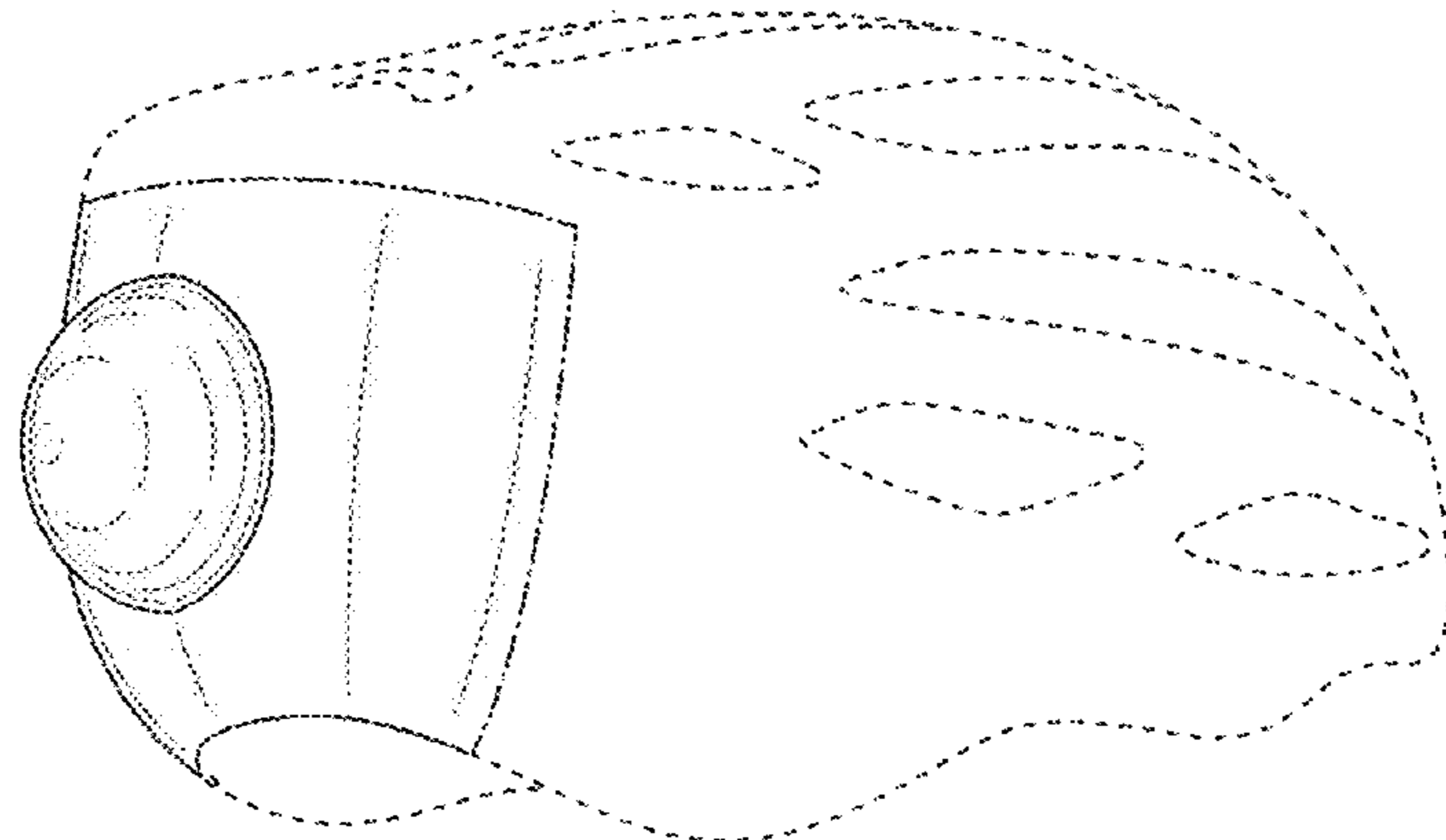
The ornamental design for a helmet with device element, as shown and described.

**DESCRIPTION**

FIG. 1 is a rear elevated perspective view of a first embodiment of a helmet with device element, showing the new design;  
FIG. 2 is a rear view thereof;  
FIG. 3 is a front view thereof;  
FIG. 4 is the side view thereof;  
FIG. 5 is the opposite view thereof;  
FIG. 6 is a bottom view thereof;  
FIG. 7 is a top view thereof;  
FIG. 8 is a rear view of a second embodiment thereof;  
FIG. 9 is a side view thereof;  
FIG. 10 is a bottom thereof; and,  
FIG. 11 is a side view thereof.  
In all figures, any showing of the environment and/or drawing disclosure and/or vents by broken lines is for illustrative purposes only and forms no part of the claimed design.

**1 Claim, 11 Drawing Sheets**

- (56) **References Cited**  
U.S. PATENT DOCUMENTS  
D251,725 S 5/1979 Cesaro  
D276,557 S 11/1984 Gevert  
D283,054 S 3/1986 Altman  
D285,973 S 9/1986 Envall  
D287,887 S 1/1987 Tsuyama  
D301,633 S 6/1989 Shwisha  
D322,140 S 12/1991 Dacanay et al.  
D322,862 S 12/1991 Miller  
D329,505 S 9/1992 Miller  
D330,686 S 11/1992 Campagna  
D349,167 S 7/1994 Uchida  
D351,672 S 10/1994 Tsay



(56)

References Cited

U.S. PATENT DOCUMENTS

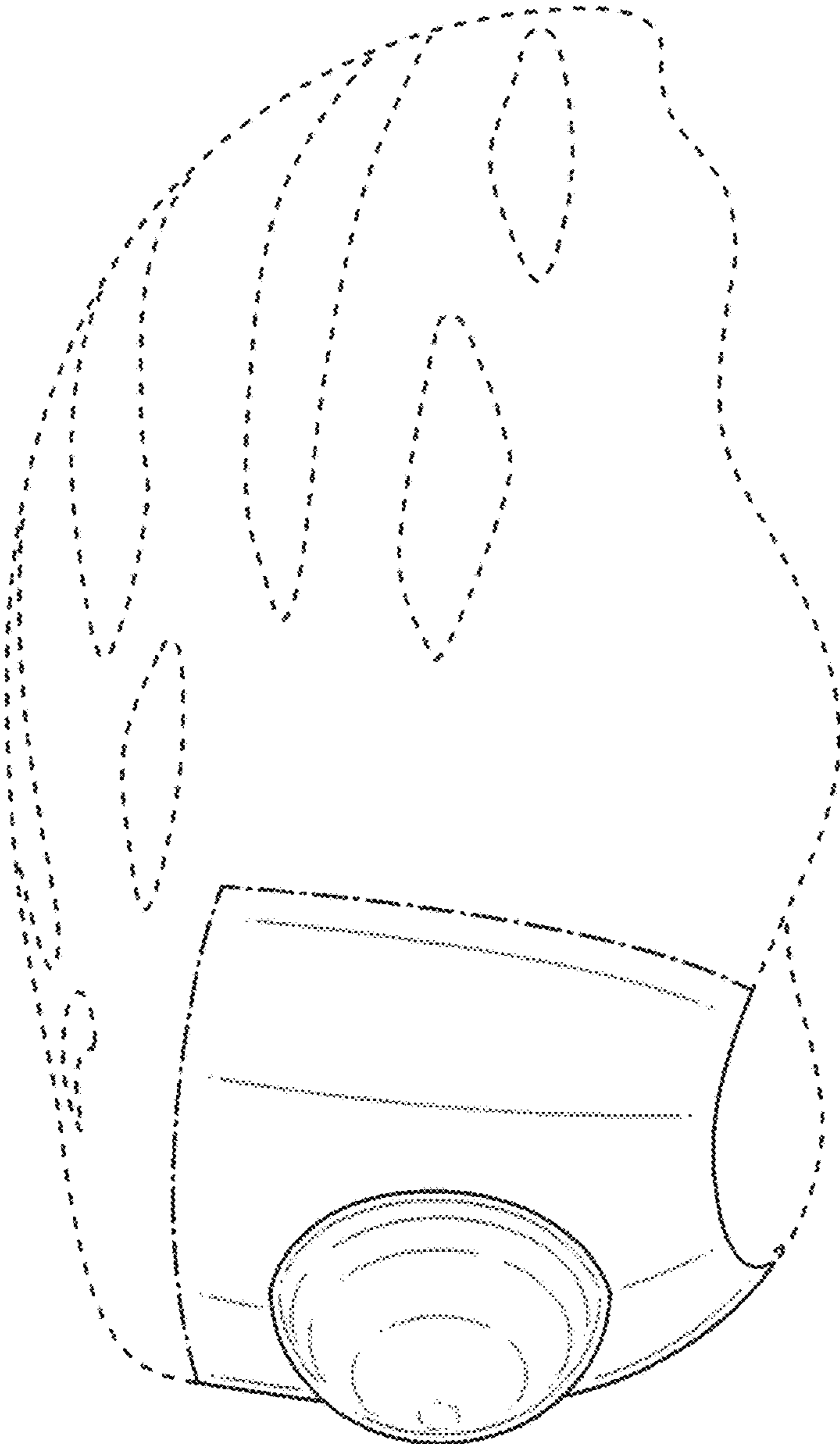
D438,133 S 2/2001 Leen  
 D440,683 S 4/2001 Guercio  
 D446,592 S 8/2001 Leen  
 D447,587 S 9/2001 Poon  
 D483,887 S 12/2003 Hishino  
 D489,839 S 5/2004 Opolka  
 D491,298 S 6/2004 Hall et al.  
 D494,295 S 8/2004 Idei et al.  
 6,784,795 B1\* 8/2004 Pories ..... A42B 3/0453  
 340/464  
 D508,138 S 8/2005 Yamaguchi et al.  
 D515,227 S 2/2006 Idei et al.  
 D523,571 S 6/2006 Sugimoto  
 D527,137 S 8/2006 Urich  
 D537,480 S 2/2007 Sullivan  
 D546,993 S 7/2007 Layne  
 D546,994 S 7/2007 Wachler  
 D546,995 S 7/2007 Wachler  
 D546,996 S 7/2007 Wachler  
 D547,479 S 7/2007 Layne  
 D552,274 S 10/2007 Tanaka et al.  
 D565,222 S 3/2008 Dixon  
 D571,026 S 6/2008 Ichihara  
 D576,325 S 9/2008 Kim et al.  
 D580,076 S 11/2008 Ichihara  
 D580,588 S 11/2008 Lemelson  
 D581,600 S\* 11/2008 George ..... D29/107  
 D587,828 S 3/2009 Tanaka

D588,722 S 3/2009 Cheng  
 D597,691 S 8/2009 Fuentes  
 D602,185 S 10/2009 Chang  
 D602,645 S\* 10/2009 Cardoso ..... D29/102  
 D607,593 S 1/2010 Yoo  
 D624,692 S 9/2010 Mackin et al.  
 D636,104 S 4/2011 Chang  
 D657,083 S 4/2012 Kline  
 D664,285 S 7/2012 Toft  
 D665,527 S 8/2012 Harger  
 D667,582 S 9/2012 Toft  
 D682,133 S 5/2013 Chen  
 D720,481 S 12/2014 Demshki, Jr. et al.  
 9,060,221 B1\* 6/2015 Kaplan ..... A42B 3/30  
 D736,970 S 8/2015 Kuei-Lai  
 D739,975 S 9/2015 Campos et al.  
 D745,219 S\* 12/2015 Carter ..... D29/102  
 D745,731 S 12/2015 Zimmerli et al.  
 D763,765 S 8/2016 Enz

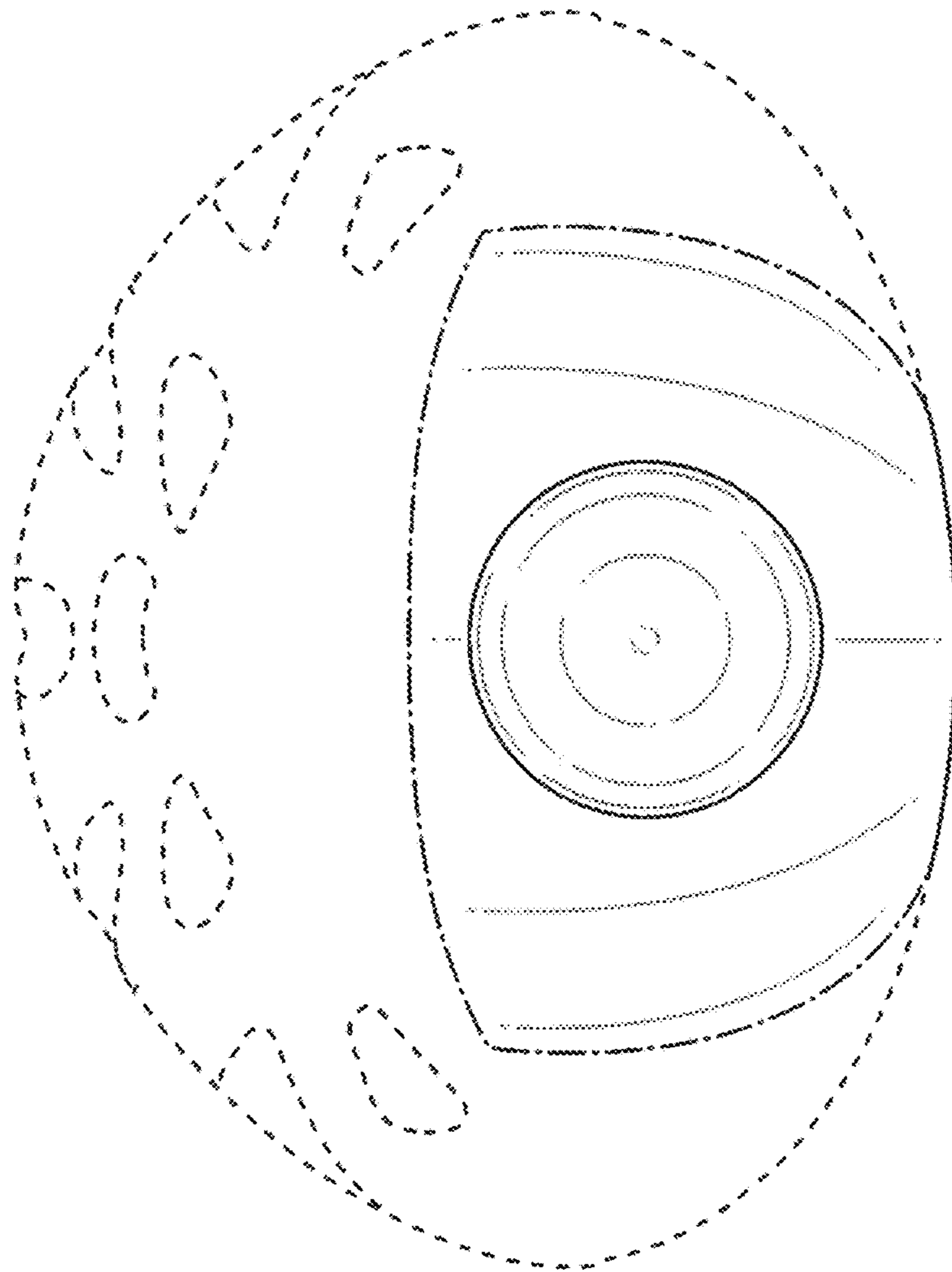
OTHER PUBLICATIONS

“Bicycle Helmets with Lights,” [www.besportier.com/archives/bicycle-helmets-with-lights-urban-i-bicycle-helmets.html/](http://www.besportier.com/archives/bicycle-helmets-with-lights-urban-i-bicycle-helmets.html/) [retireved Jul. 12, 2017] <URL: [www.besportier.com](http://www.besportier.com)>.  
 “This Bicycle Helmet has Your Lights Built in,” Digital Trends, [retrieved Jul. 12, 2017] <URL: [www.digitaltrends.com/health-fitness/lumos-light-up-bike-helmet/](http://www.digitaltrends.com/health-fitness/lumos-light-up-bike-helmet/)>.

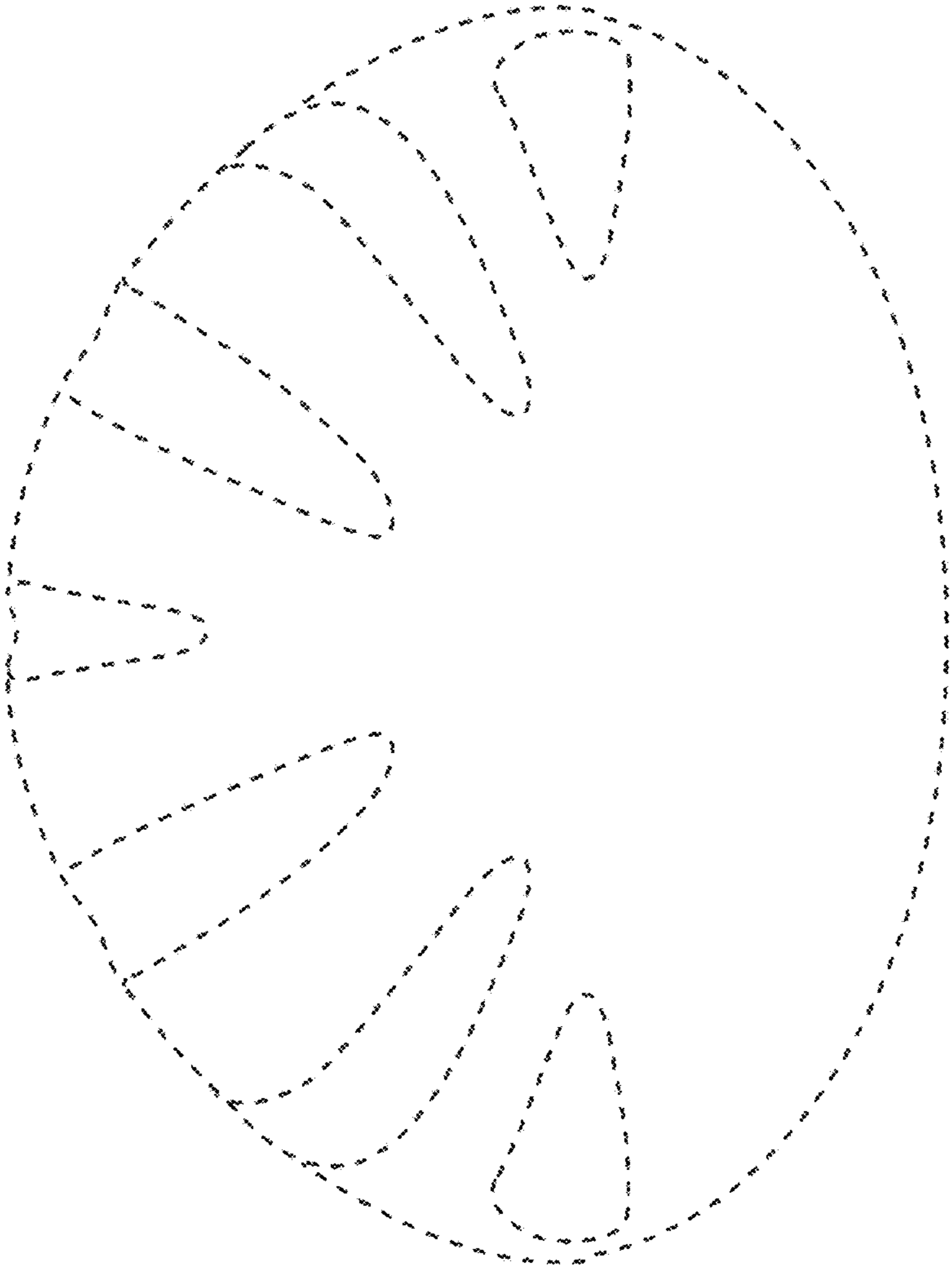
\* cited by examiner



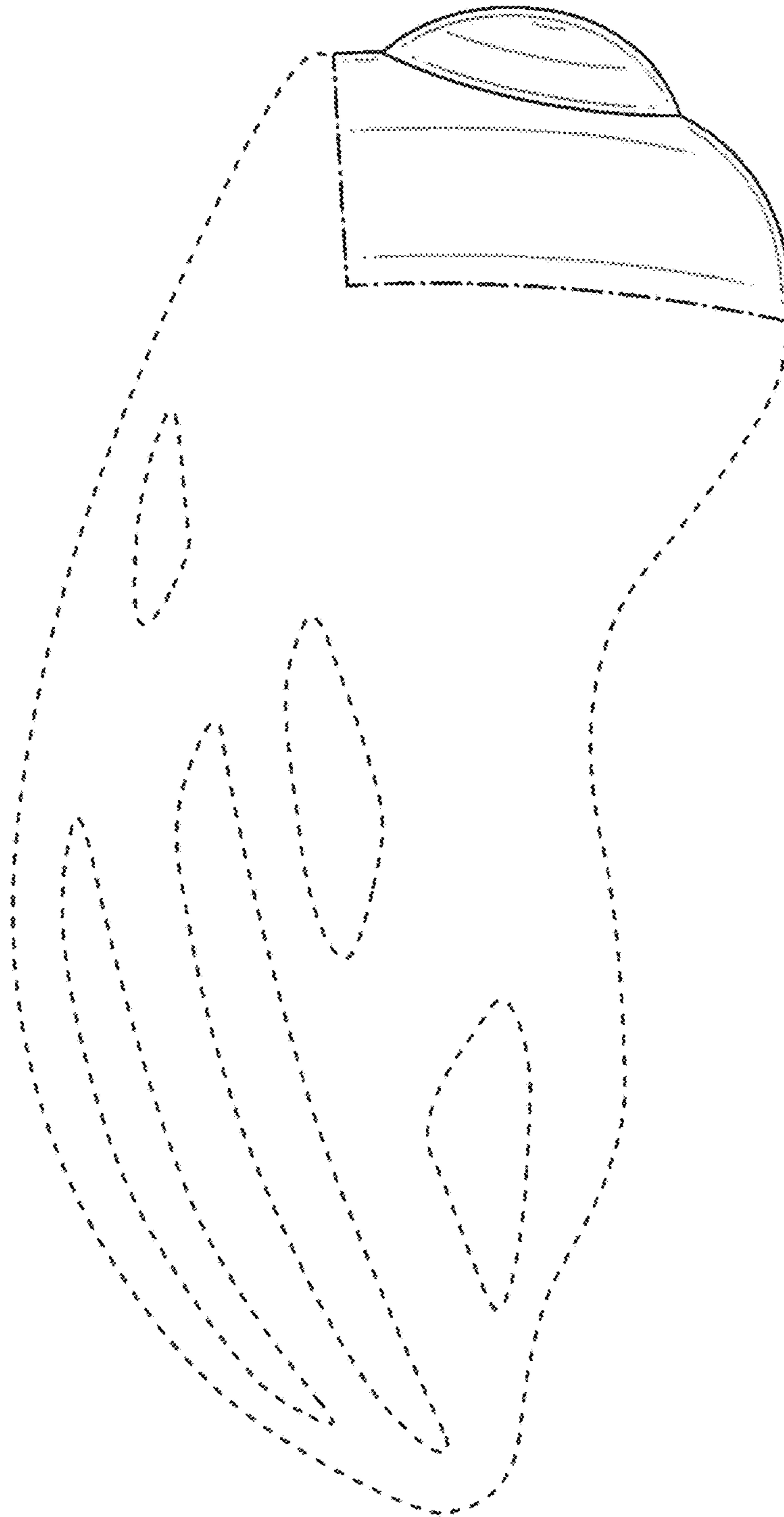
**FIG. 1**



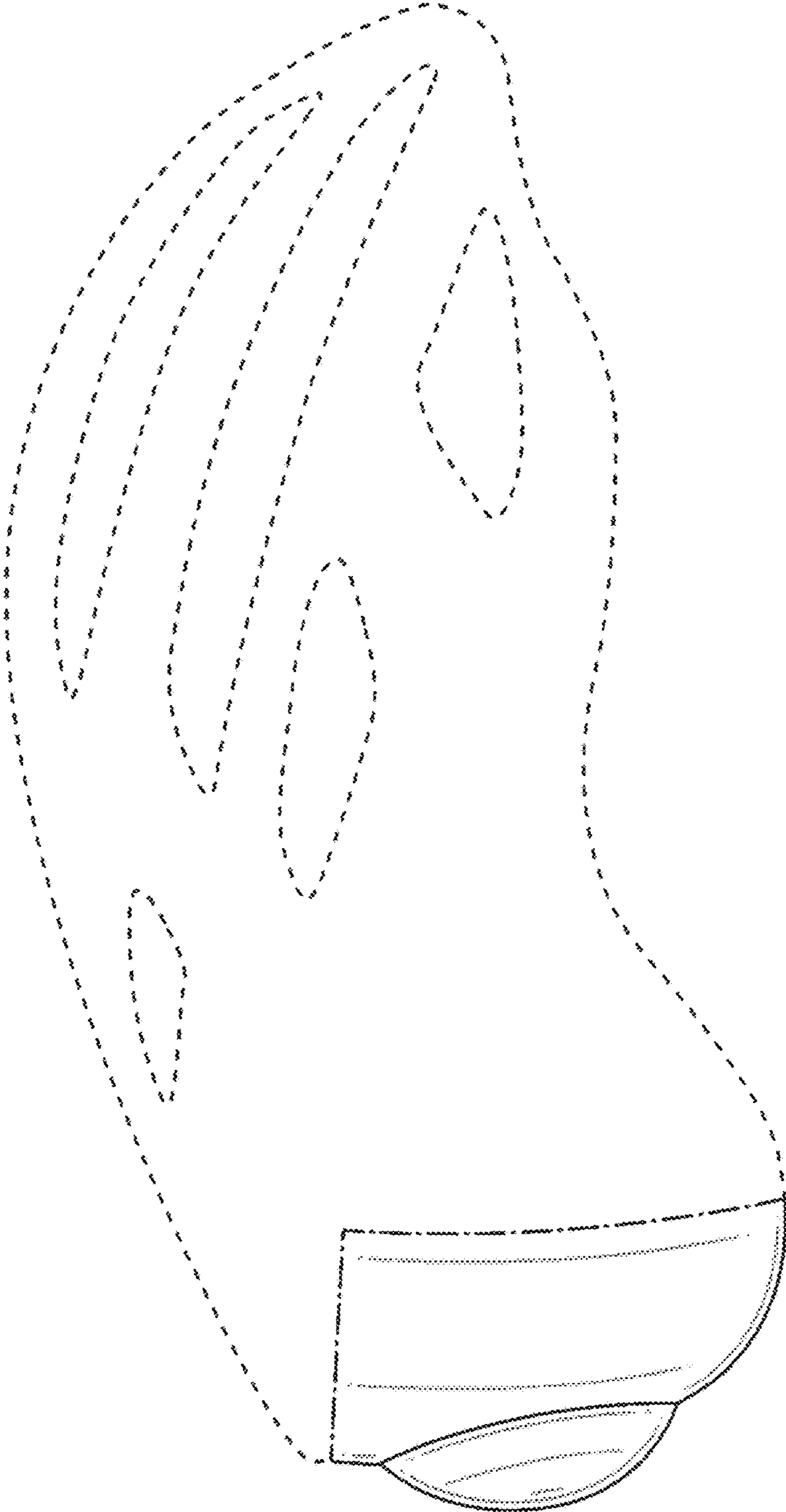
**FIG. 2**



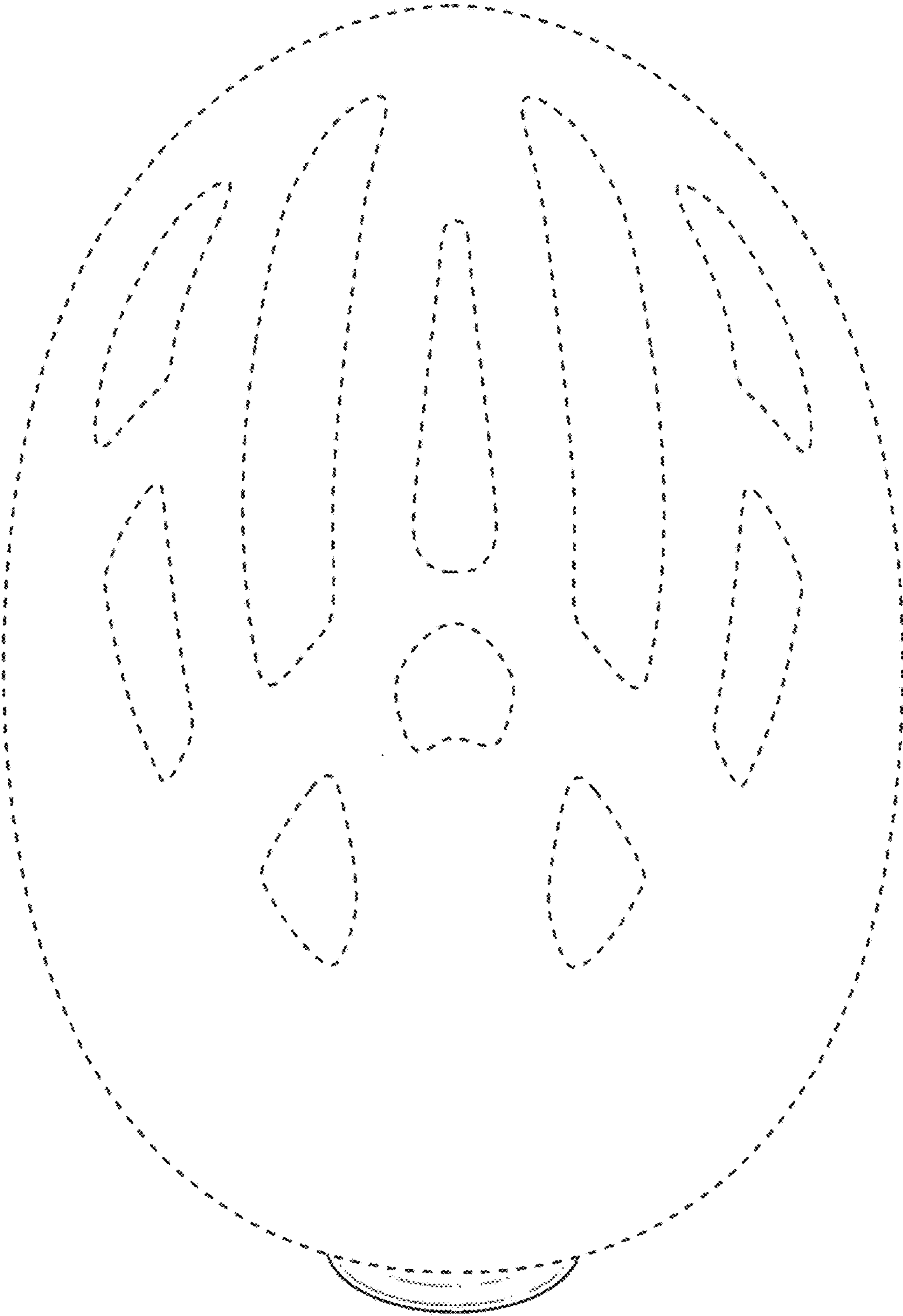
**FIG. 3**



**FIG. 4**

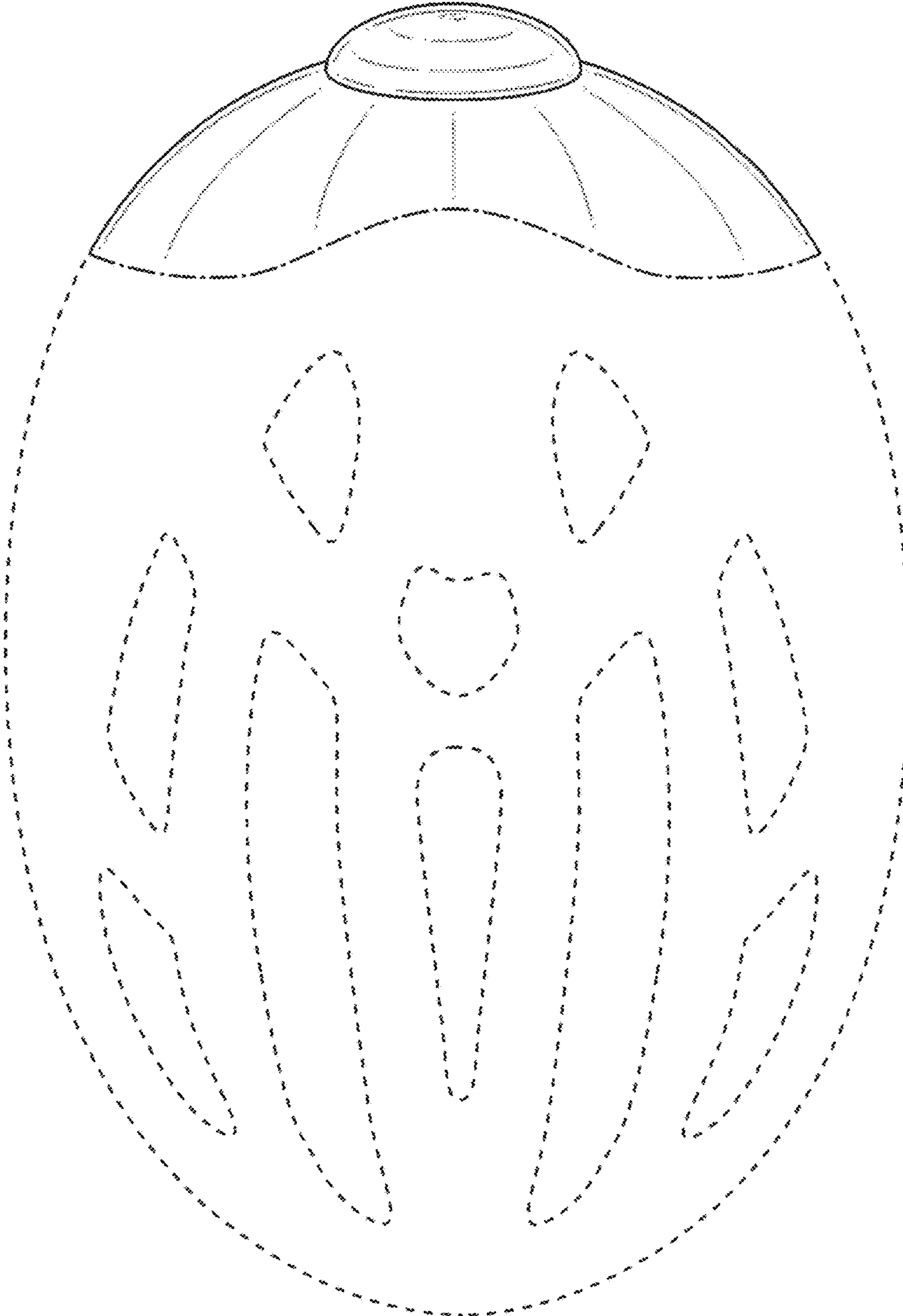


**FIG. 5**

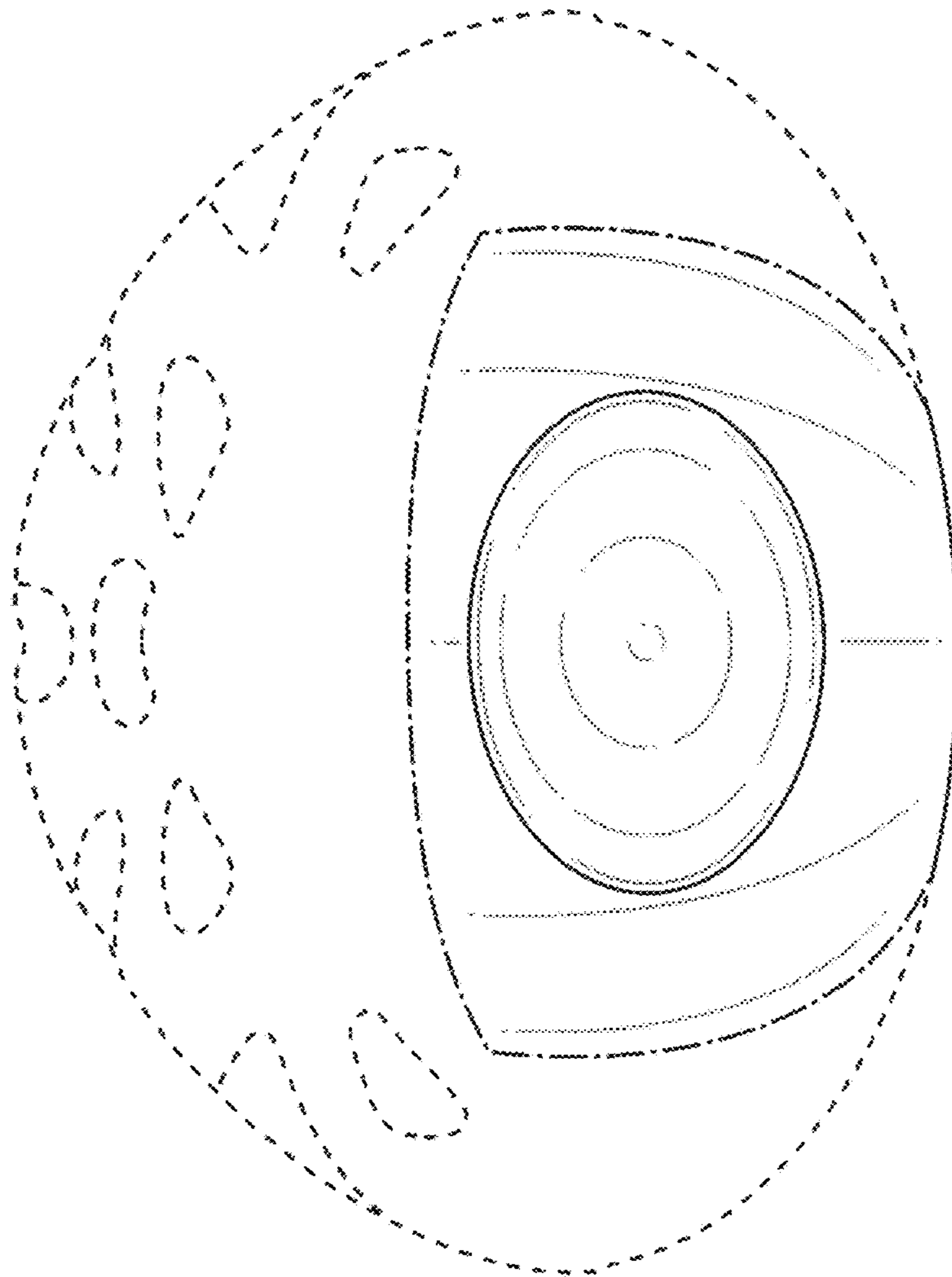


**FIG. 6**

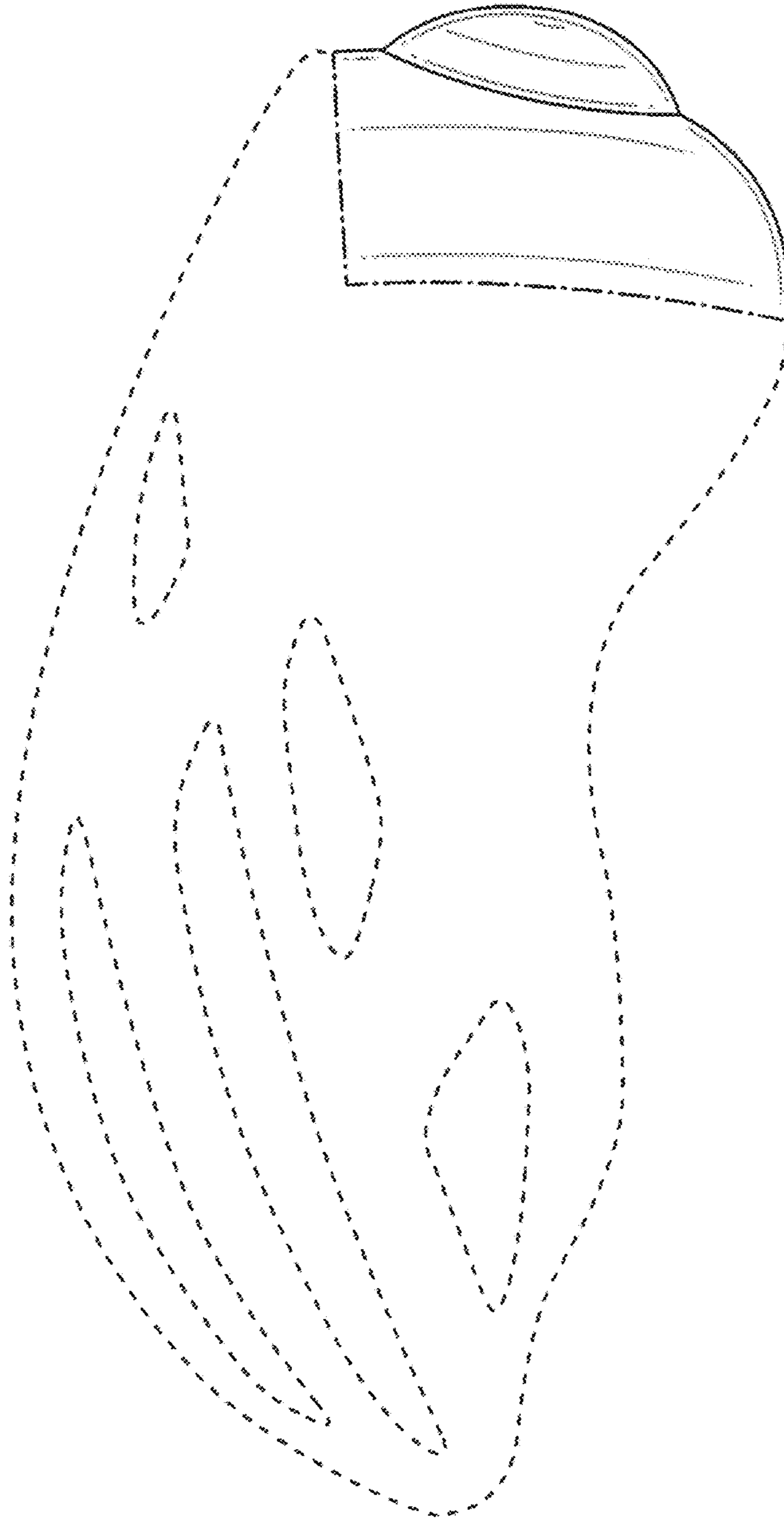




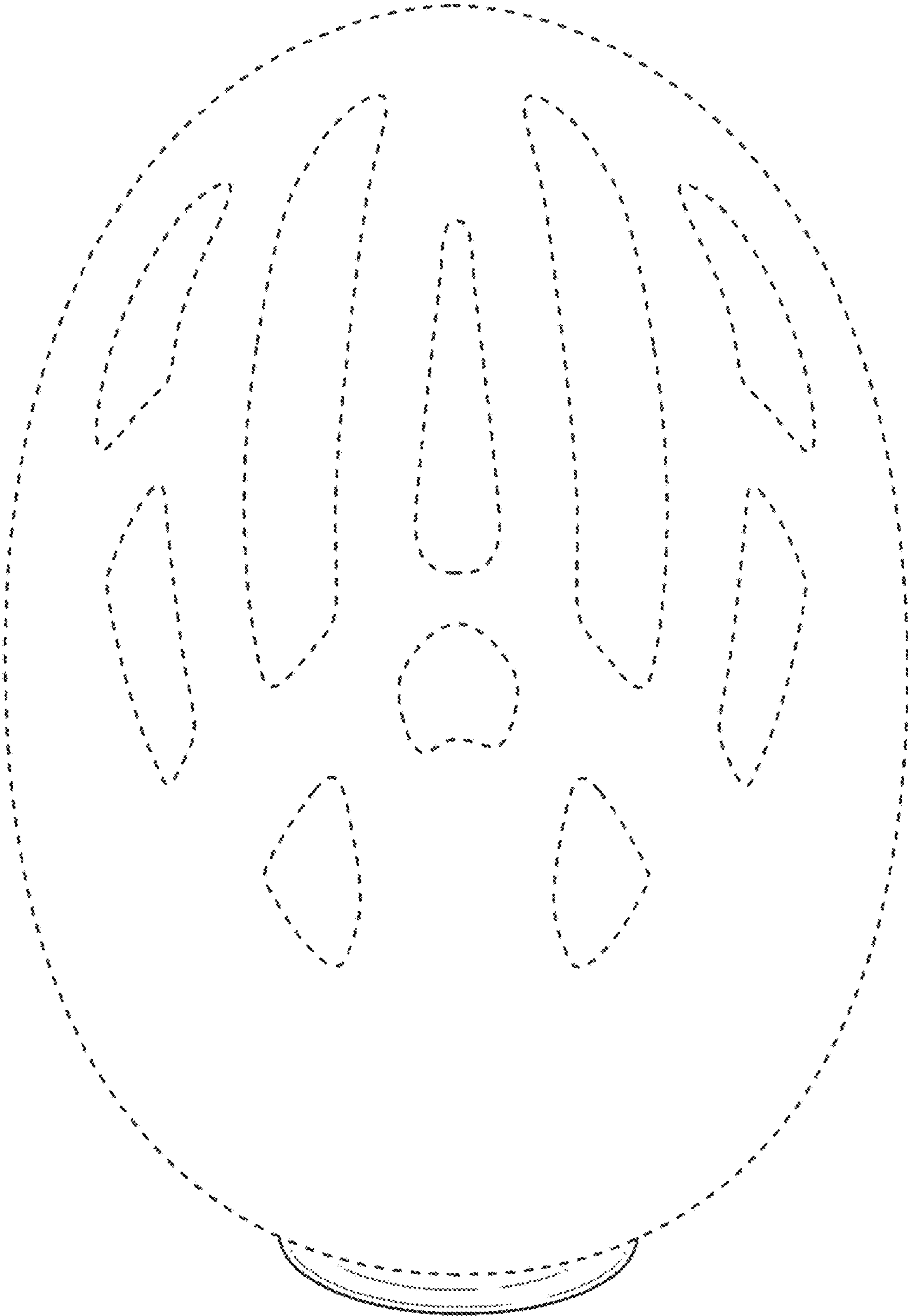
**FIG. 7**



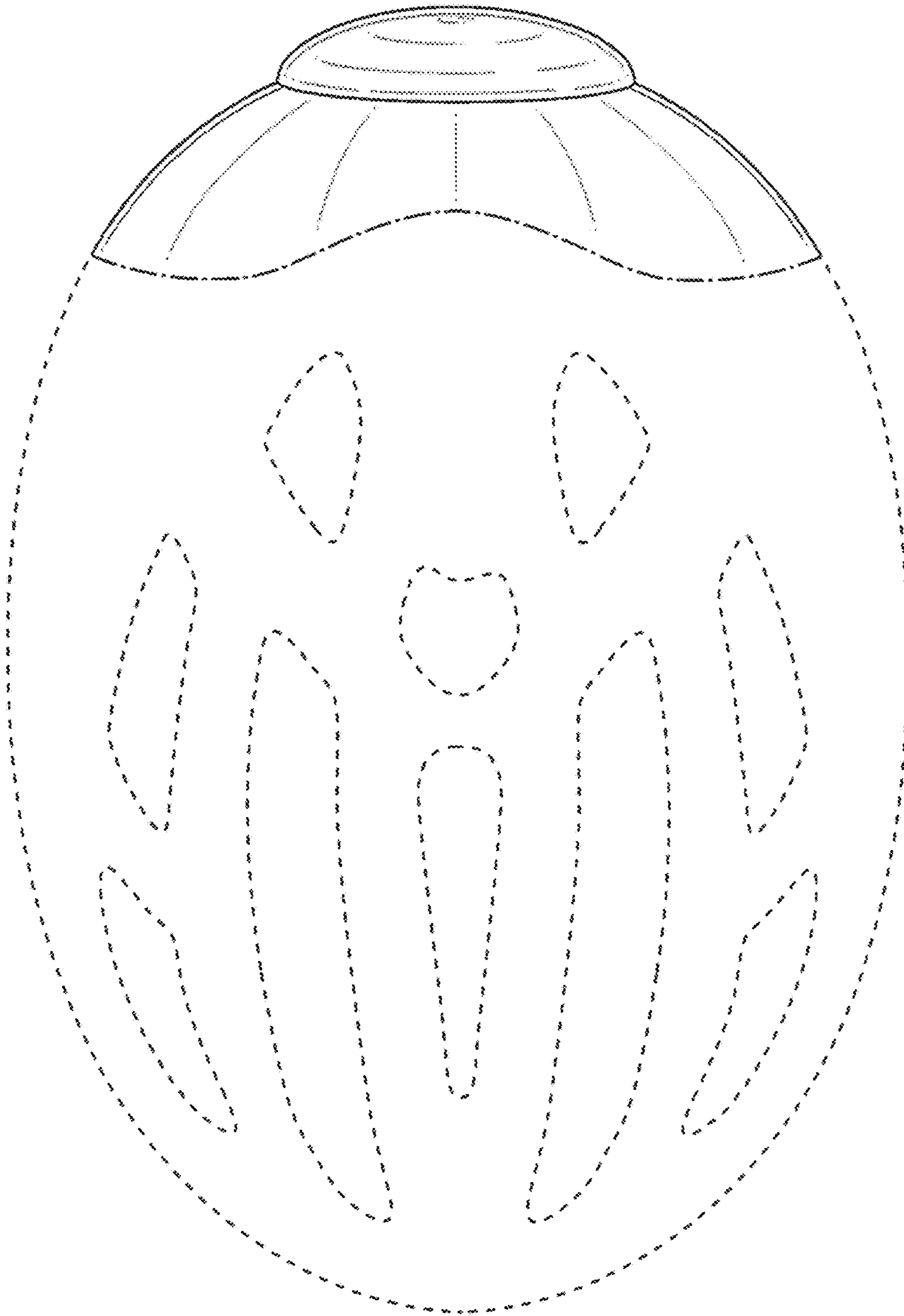
**FIG. 8**



**FIG. 9**



**FIG. 10**



**FIG. 11**