



US00D835845S

(12) **United States Design Patent** (10) **Patent No.:** **US D835,845 S**  
**Graves et al.** (45) **Date of Patent:** **\*\* Dec. 11, 2018**

(54) **SHAVER HANDLE**  
(71) Applicants: **Donald Graves**, Cherry Hill, NJ (US);  
**John Lyles**, Cherry Hill, NJ (US)  
(72) Inventors: **Donald Graves**, Cherry Hill, NJ (US);  
**John Lyles**, Cherry Hill, NJ (US)  
(\*\*) Term: **15 Years**  
(21) Appl. No.: **29/594,238**  
(22) Filed: **Feb. 16, 2017**  
(51) **LOC (11) Cl.** ..... **28-03**  
(52) **U.S. Cl.**  
USPC ..... **D28/51**; D28/53; D4/102  
(58) **Field of Classification Search**  
USPC ..... D28/49-54; D4/100-102; D24/214-215  
CPC ..... B26B 19/00-19/107; B26B 19/20-19/265;  
B26B 19/12-19/148; B26B  
19/3853-19/3866  
See application file for complete search history.

(56) **References Cited**  
U.S. PATENT DOCUMENTS  
D241,482 S \* 9/1976 Wassenaar ..... D28/50  
D250,228 S \* 11/1978 Long ..... D4/102  
D263,998 S \* 4/1982 Oberheim ..... D24/214  
D457,265 S \* 5/2002 Gebhard ..... D28/9  
D500,168 S \* 12/2004 Ho ..... D28/44  
D601,803 S \* 10/2009 Reishus ..... D4/102  
D620,200 S \* 7/2010 Belozeroval ..... D28/51  
D652,169 S \* 1/2012 Yoon ..... D28/54

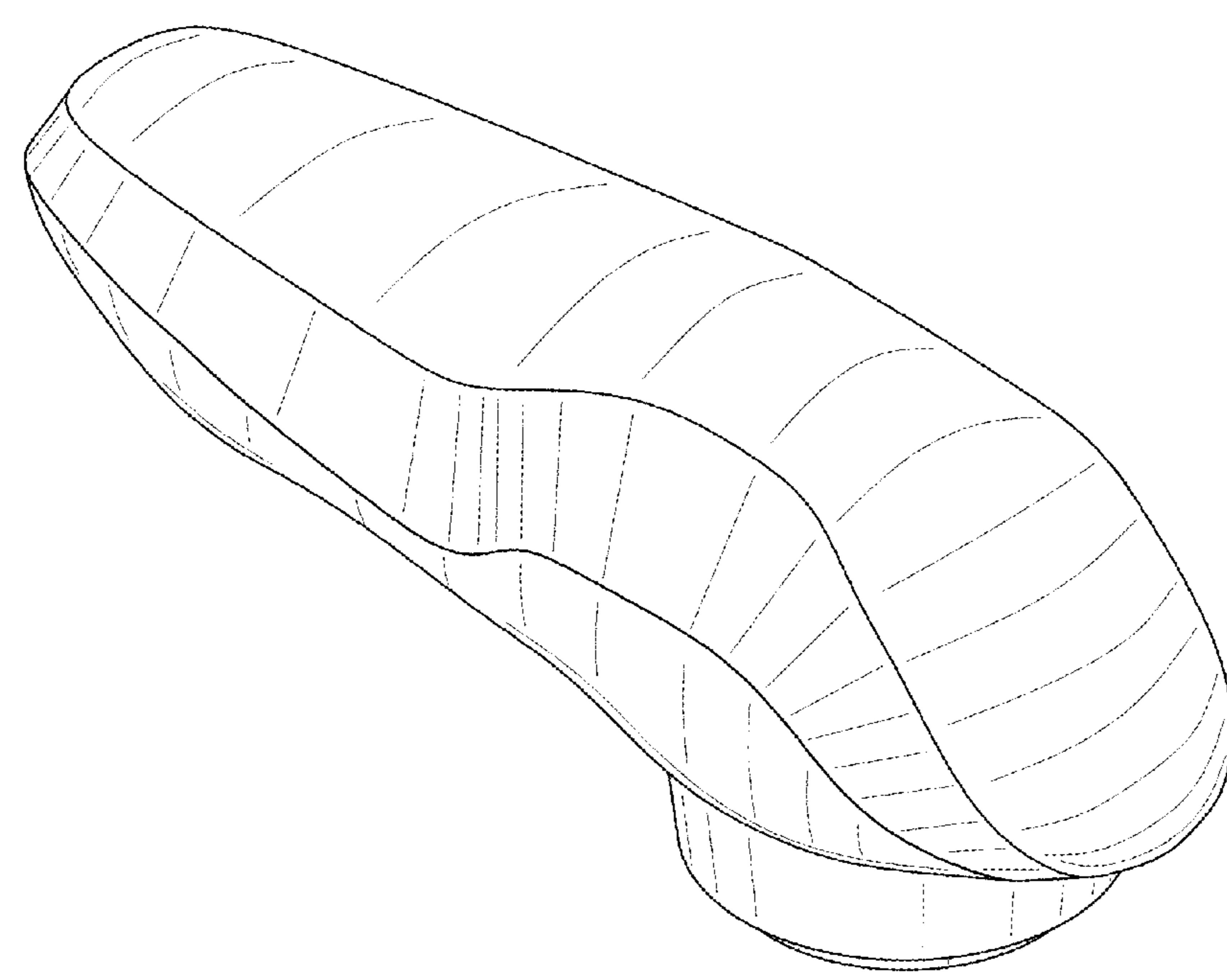
D679,502 S \* 4/2013 Itano ..... D4/102  
D683,139 S \* 5/2013 Chikos ..... D4/102  
D696,818 S \* 12/2013 Konicek ..... D28/53  
D708,440 S \* 7/2014 Owen ..... D4/102  
D767,897 S \* 10/2016 Hosler ..... D4/102  
D773,823 S \* 12/2016 Wong ..... D4/102

\* cited by examiner  
*Primary Examiner* — Jennifer Rivard  
(74) *Attorney, Agent, or Firm* — Stuart M. Goldstein

(57) **CLAIM**  
The ornamental design for a shaver handle, as shown and described.

**DESCRIPTION**  
FIG. 1 is a top isometric view of the shaver handle of the present invention.  
FIG. 2 is a bottom isometric view of the shaver handle of the present invention.  
FIG. 3 is an elevation view of the shaver handle of the present invention.  
FIG. 4 is the opposite elevation view of the shaver handle of the present invention.  
FIG. 5 is a top view of the shaver handle of the present invention.  
FIG. 6 is a bottom view of the shaver handle of the present invention.  
FIG. 7 is a front view of the shaver handle of the present invention; and,  
FIG. 8 is a rear view of the shaver handle of the present invention.

**1 Claim, 7 Drawing Sheets**



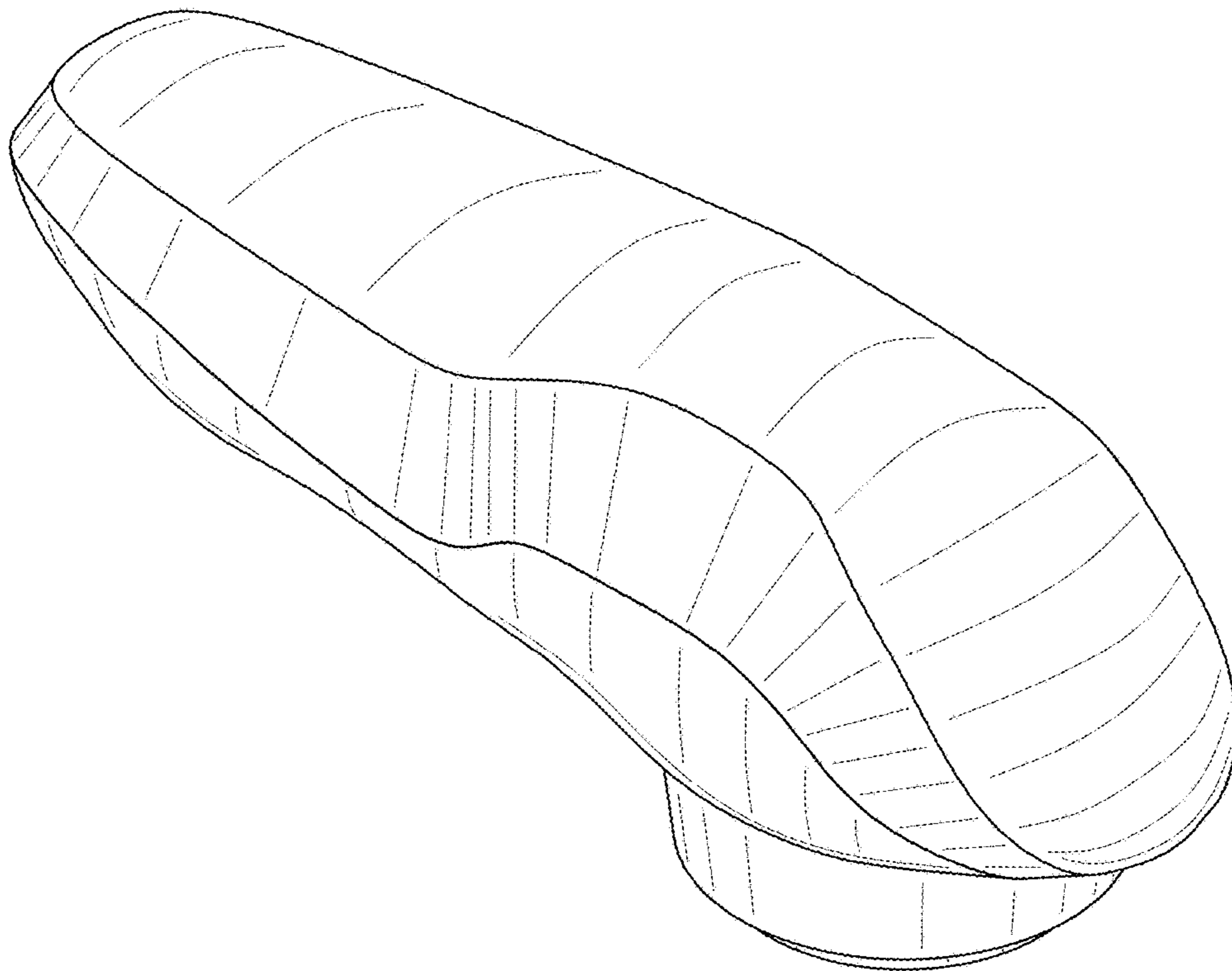


FIG. 1

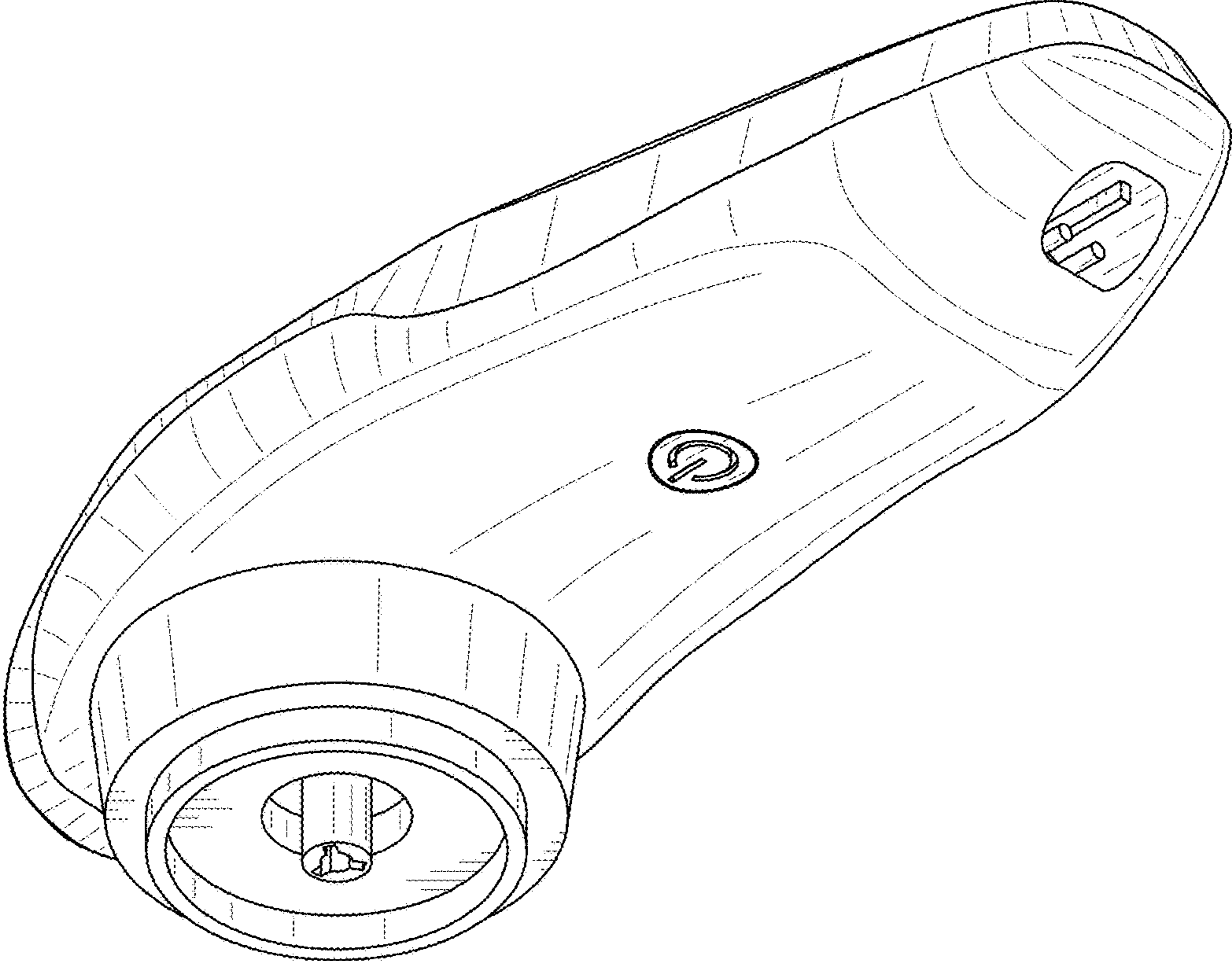


FIG. 2

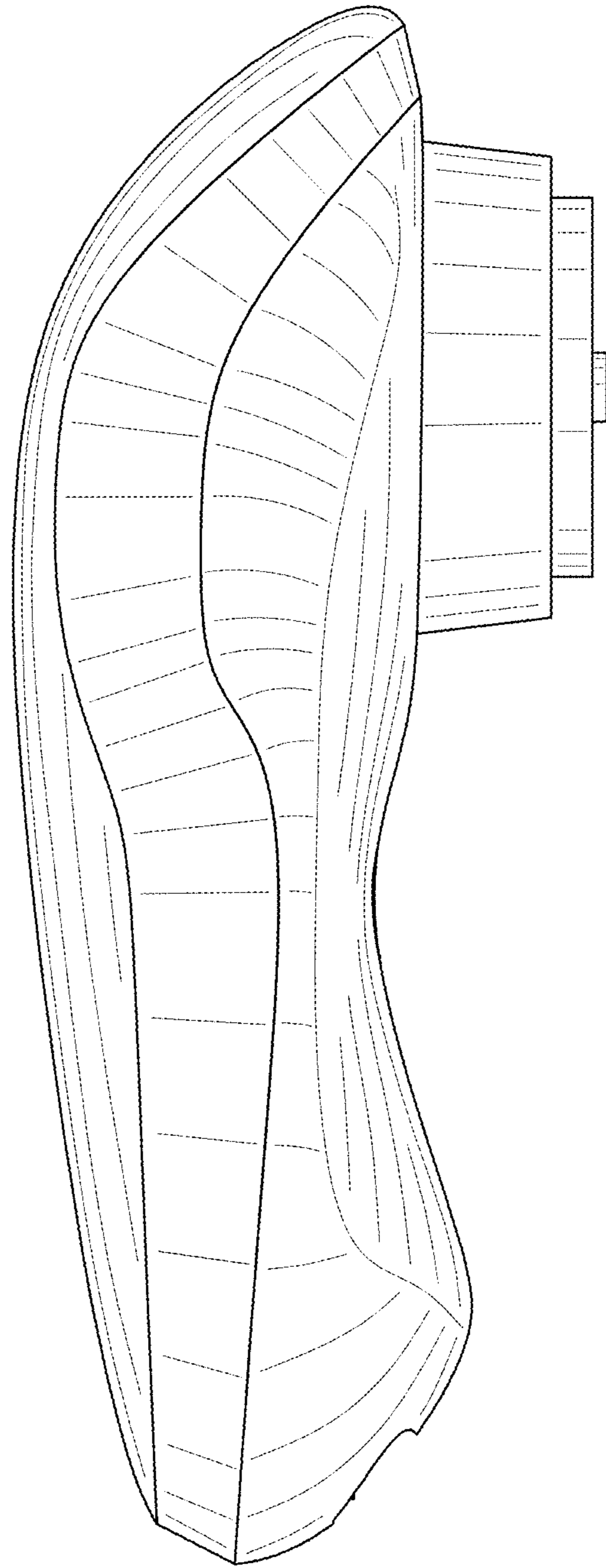


FIG. 3

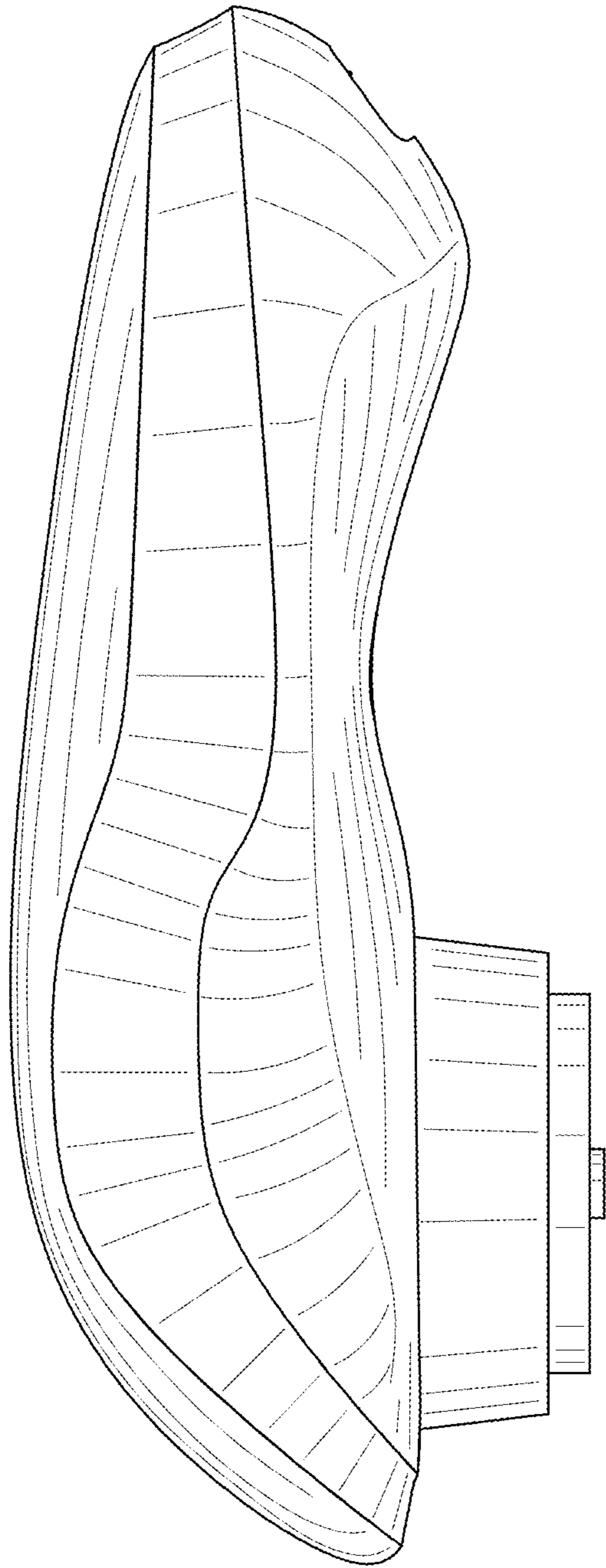


FIG. 4



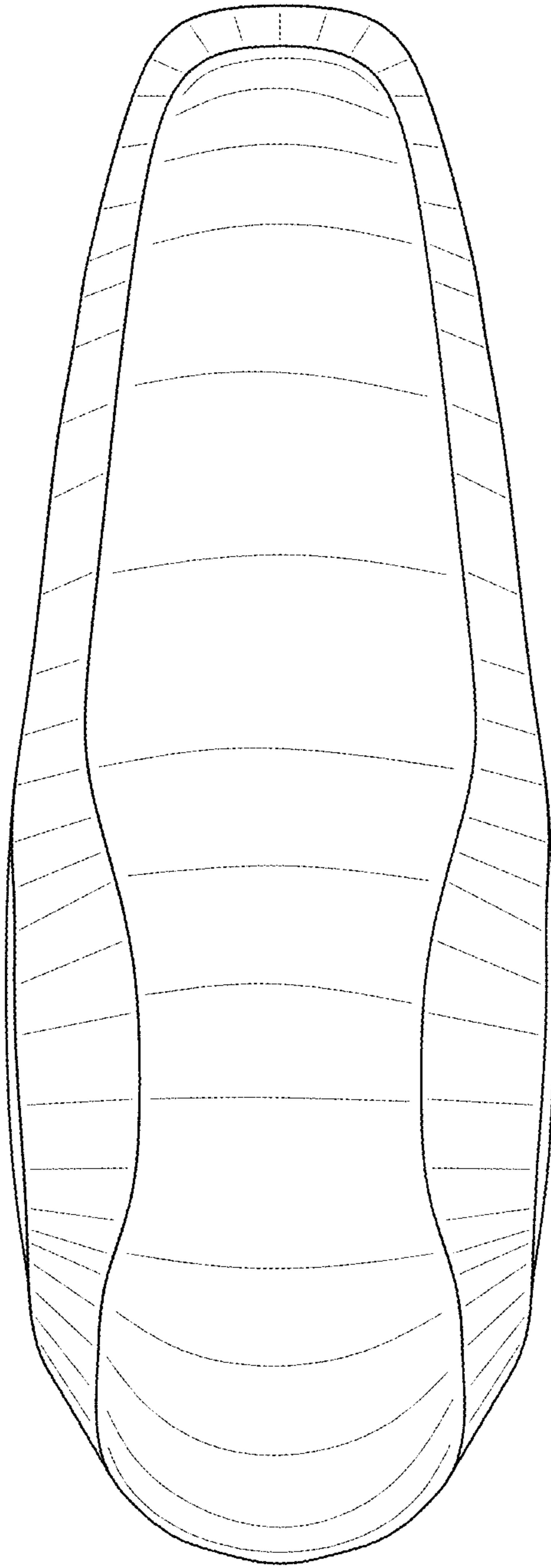


FIG. 5

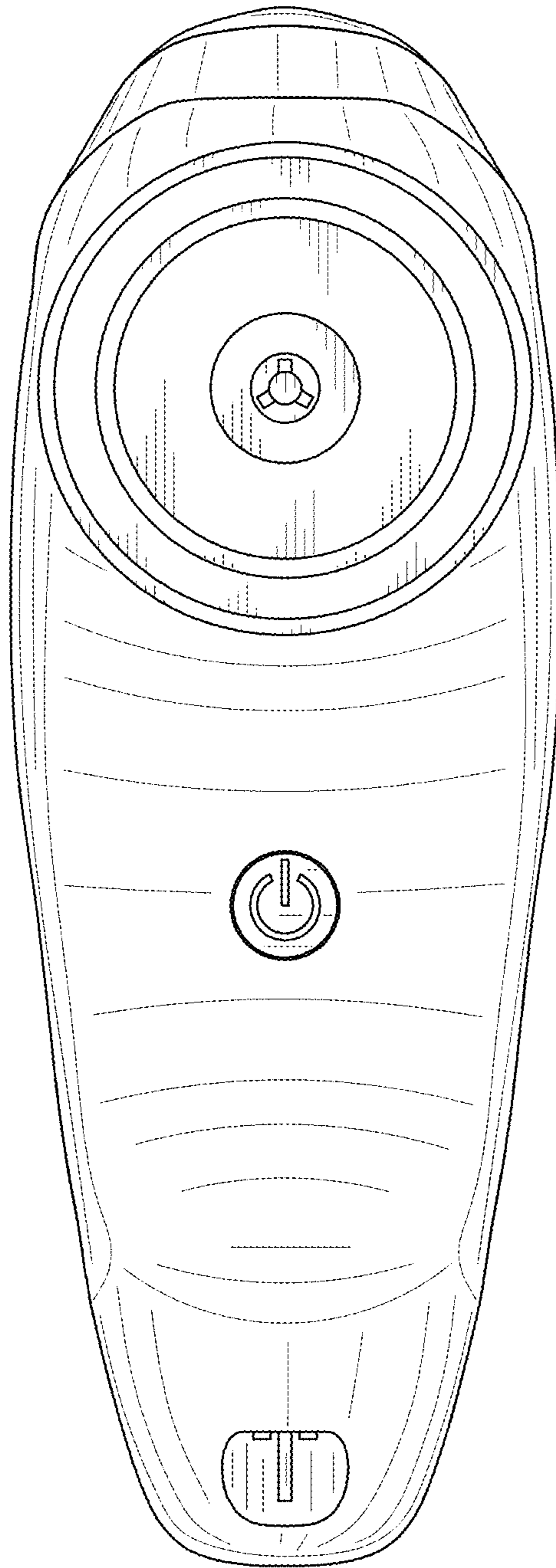


FIG. 6

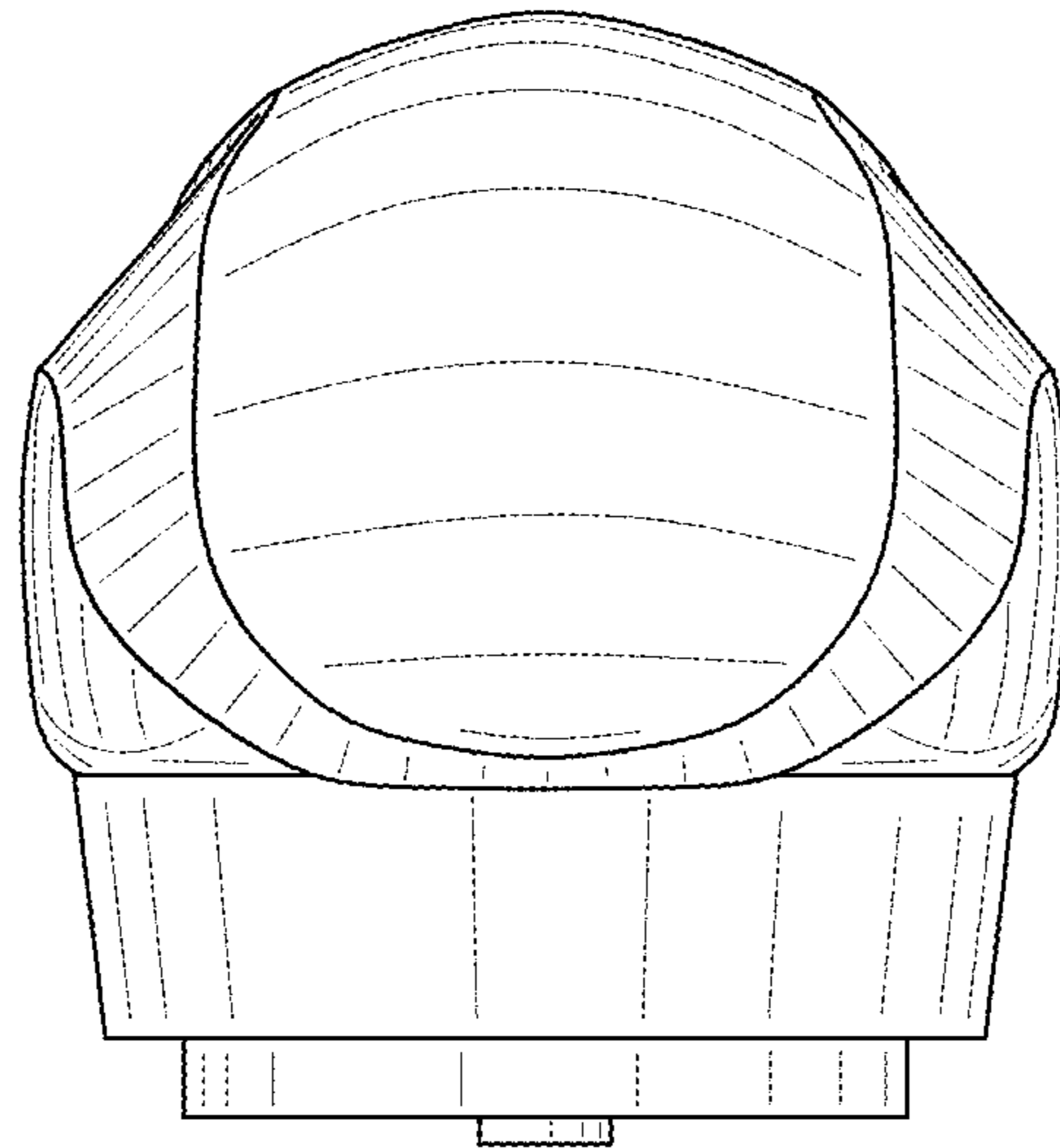


FIG. 7

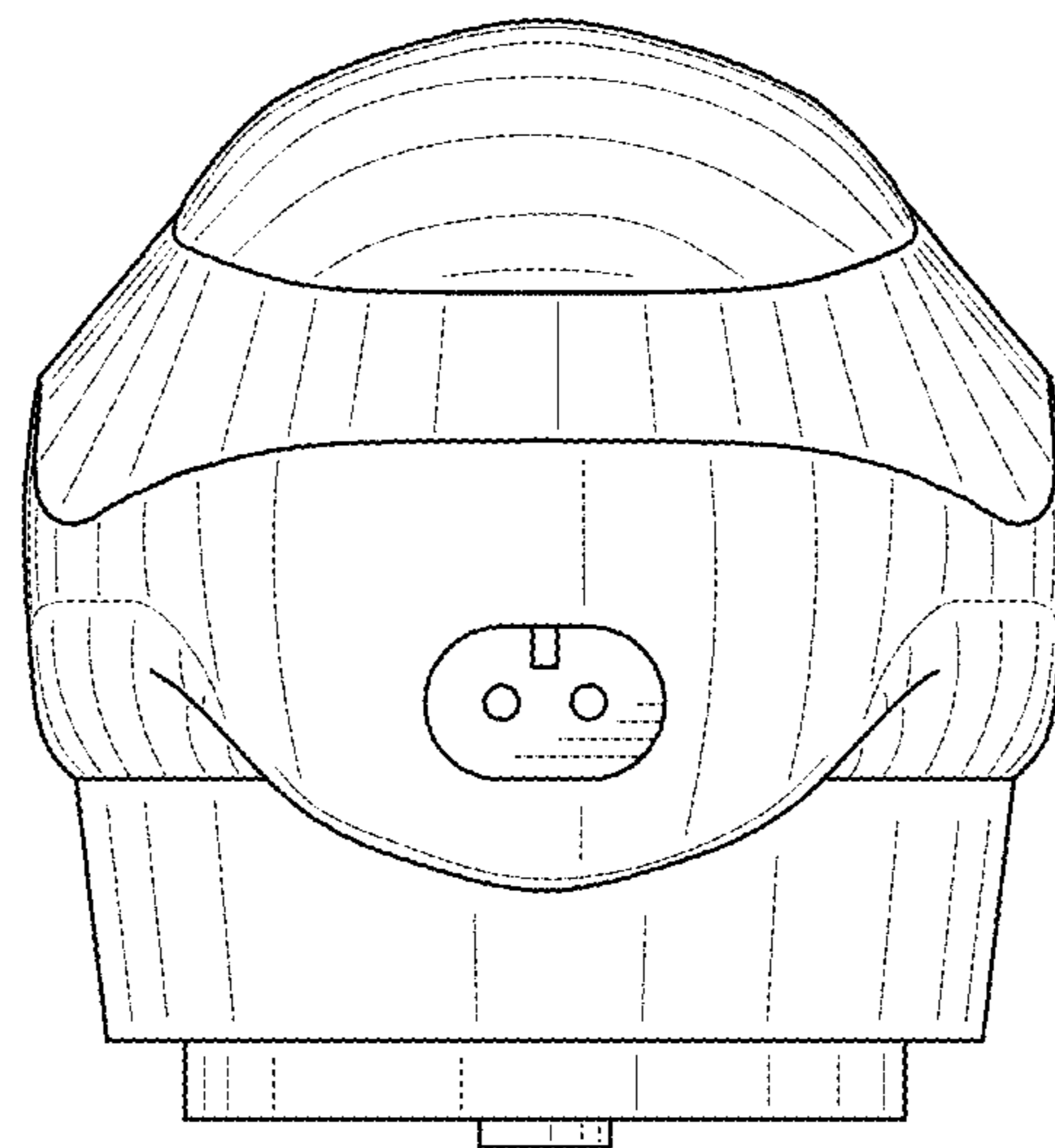


FIG. 8