



US00D835841S

(12) **United States Design Patent** (10) **Patent No.:** **US D835,841 S**
Xu (45) **Date of Patent:** **** Dec. 11, 2018**

(54) **MICROVAPORIZER SHIELD**
(71) Applicant: **Avail Vapor LLC**, N. Chesterfield, VA (US)
(72) Inventor: **Yongjie James Xu**, Richmond, VA (US)
(73) Assignee: **AVAIL VAPOR LLC**, N. Chesterfield, VA (US)

4,289,149 A * 9/1981 Kyriakou A24F 13/14
131/175
4,685,477 A * 8/1987 Valdez A24F 13/02
131/175
4,991,595 A * 2/1991 Jones, Jr. A24F 13/16
131/175
D339,606 S * 9/1993 Podobrin D19/163
D399,600 S * 10/1998 Bowen D27/194
D535,330 S * 1/2007 Hung D19/163
D586,854 S * 2/2009 Tan D19/166
D592,245 S * 5/2009 Yu D19/166
D593,603 S * 6/2009 Good D19/166

(**) Term: **15 Years**

(21) Appl. No.: **29/624,385**

(22) Filed: **Oct. 31, 2017**

(51) **LOC (11) Cl.** **27-02**

(52) **U.S. Cl.**
USPC **D27/167**

(58) **Field of Classification Search**
USPC D27/100, 101, 162, 163-194;
D19/115-123, 161-169; D24/110;
D23/366
CPC A24F 47/008; A24F 47/002; A24F 7/02;
A24F 13/16; A61M 15/06
See application file for complete search history.

(56) **References Cited**

U.S. PATENT DOCUMENTS

1,498,190 A * 6/1924 Morrier A24F 13/16
131/174
1,858,938 A * 5/1932 Raftey A24F 13/14
131/175
2,499,733 A * 3/1950 Di Rubbio A24F 13/14
131/175
2,761,456 A * 9/1956 Pirrone A24F 13/14
131/175
2,884,930 A * 5/1959 Mason A24F 13/14
131/175
3,916,916 A * 11/1975 Bramucci A24F 13/16
131/175

Primary Examiner — Brandon M Rosati
Assistant Examiner — Marissa J Cash
(74) *Attorney, Agent, or Firm* — Nixon & Vanderhye P.C.

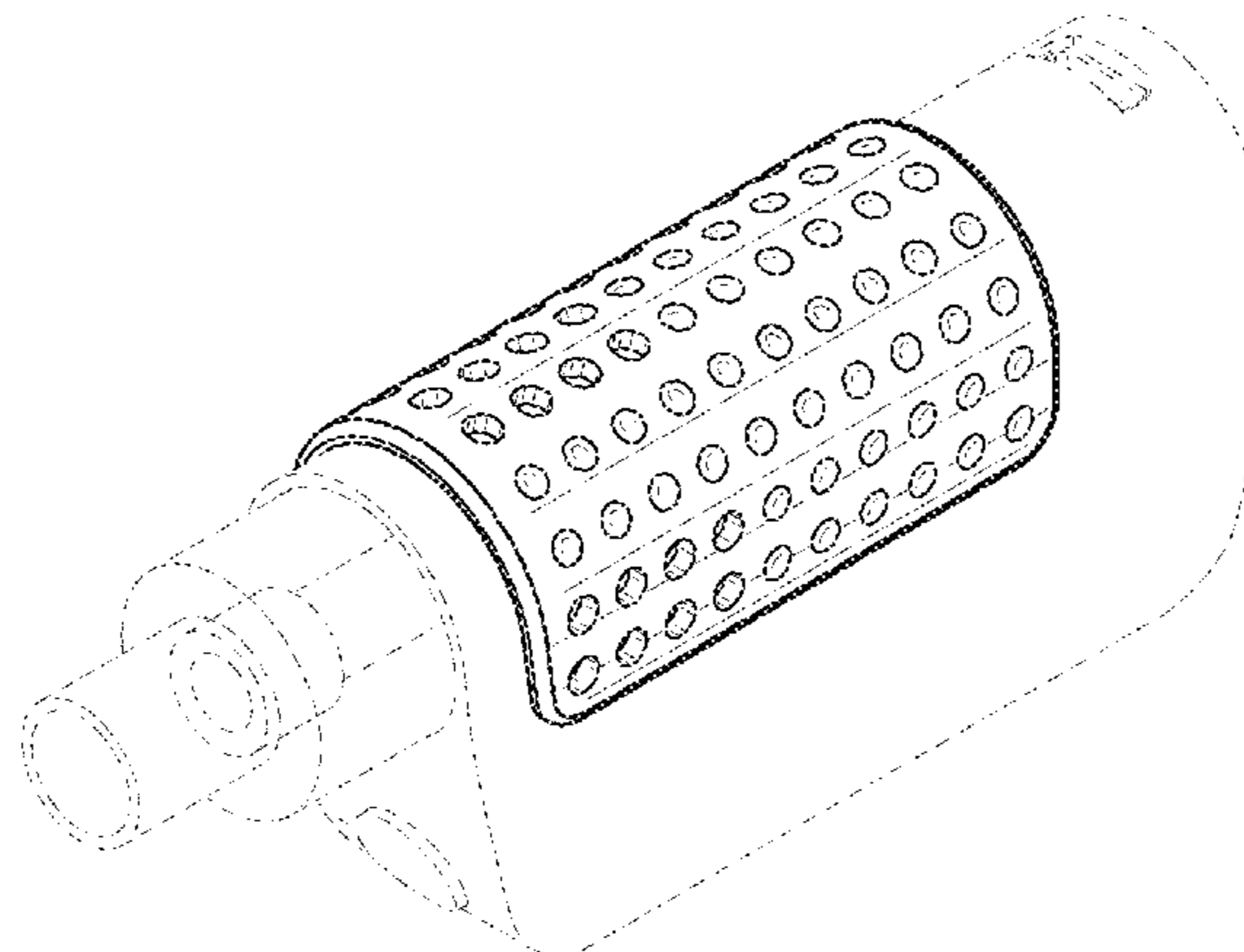
(57) **CLAIM**

The ornamental design for a microvaporizer shield, as shown and described.

DESCRIPTION

FIG. 1 is a front, top and right side perspective view of a microvaporizer shield showing my new design;
FIG. 2 is another front, top and right side perspective view thereof shown removed from environment for clarity of disclosure;
FIG. 3 is a right side view thereof;
FIG. 4 is a left side view thereof;
FIG. 5 is a top view thereof;
FIG. 6 is a bottom side view thereof;
FIG. 7 is a rear view thereof;
FIG. 8 is a front view thereof; and,
FIG. 9 is a rear, bottom and left side perspective view thereof.
Where included, the broken lines represent environmental structure or unclaimed portions of the microvaporizer shield and do not form a portion of the claimed design.
Applicant reserves the right to pursue any design element contained in this application or any portion thereof.

1 Claim, 3 Drawing Sheets



(56)

References Cited

U.S. PATENT DOCUMENTS

D595,351	S *	6/2009	Yu	D19/163
D598,953	S *	8/2009	Yu	D19/166
D607,510	S *	1/2010	Jun	D19/163
8,851,083	B2 *	10/2014	Oglesby	A61M 11/047
				131/271
D720,497	S *	12/2014	Alima	D27/101
D723,215	S *	2/2015	Chen	D27/101
D725,113	S *	3/2015	Roskopp	D14/411
D748,852	S *	2/2016	Wu	D27/101
D749,260	S *	2/2016	Wu	D27/101
D769,439	S *	10/2016	White	D24/110
D770,676	S *	11/2016	Bennett	D27/101
D771,308	S *	11/2016	Saydar	A61M 15/00
				D27/163
D776,801	S *	1/2017	Tamura	D23/330
9,532,599	B2 *	1/2017	Liu	A24F 47/008
D785,863	S *	5/2017	Harmon	D27/183
2008/0023003	A1 *	1/2008	Rosenthal	A61M 11/041
				128/203.26

* cited by examiner

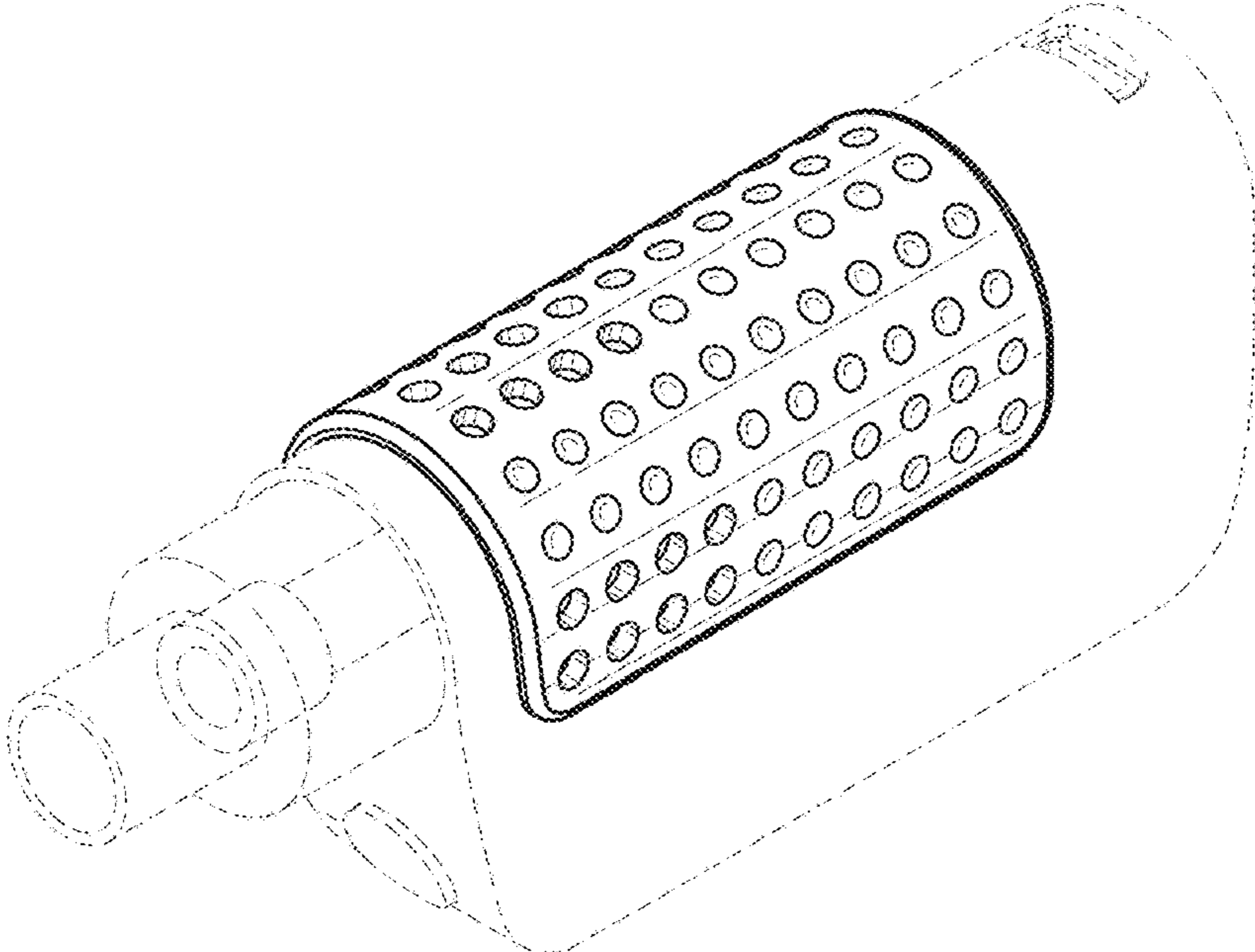


FIG. 1

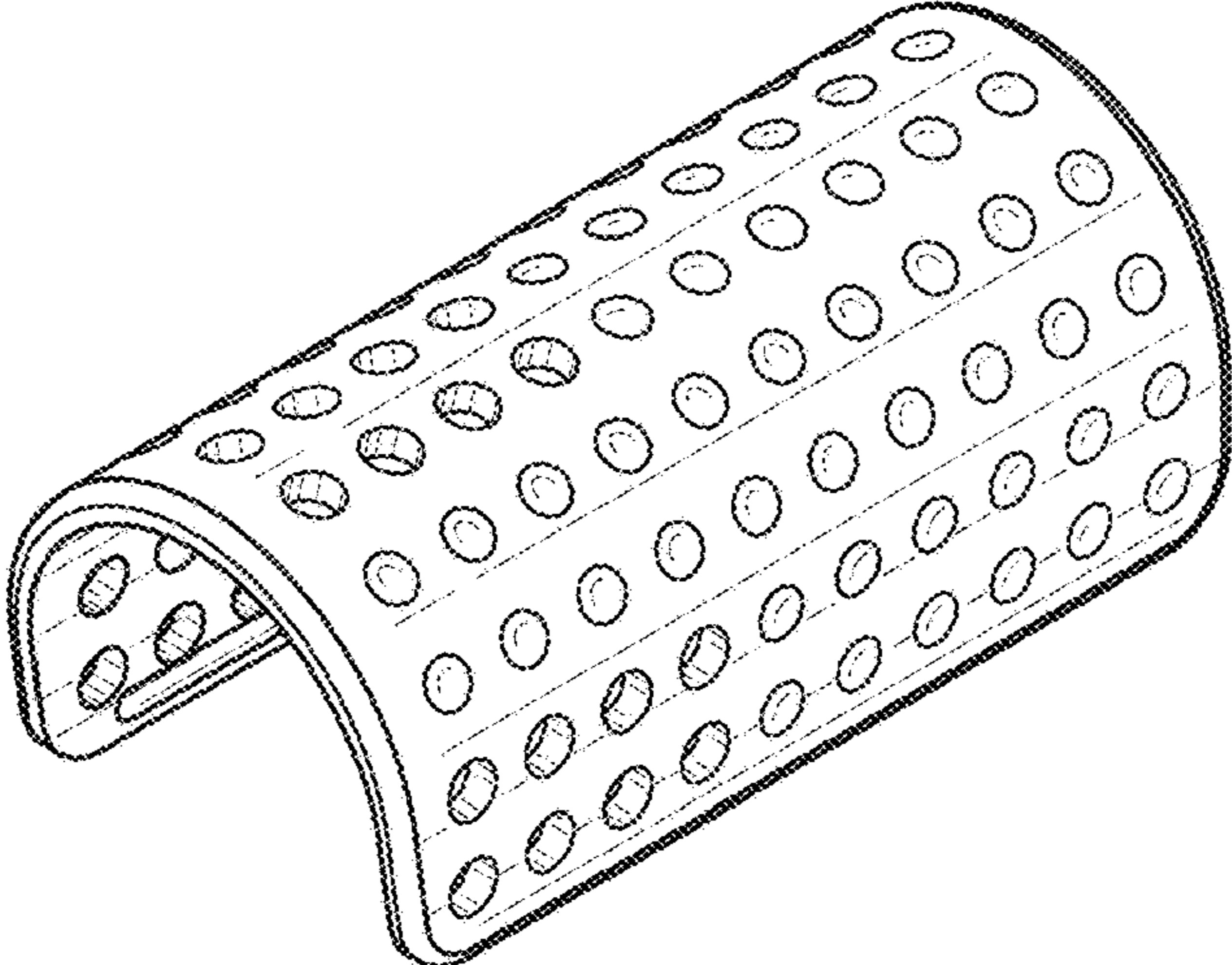


FIG. 2

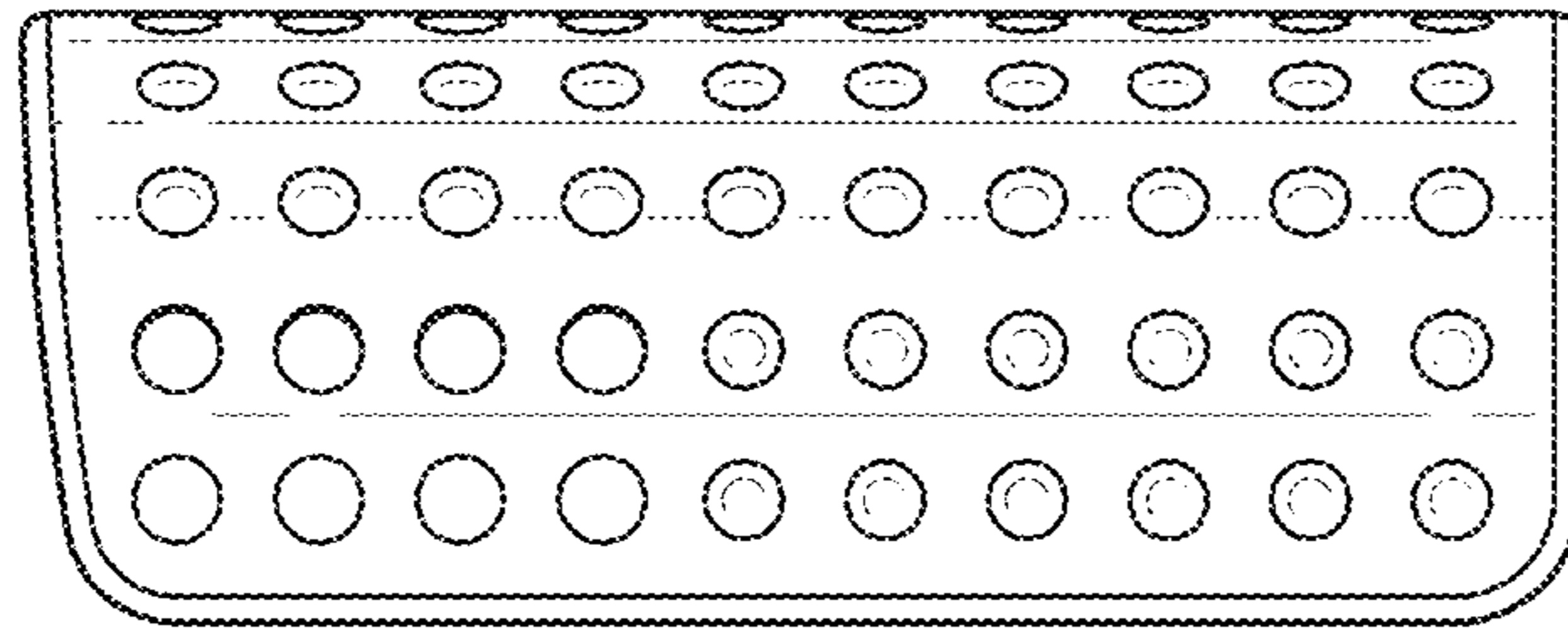


FIG. 3

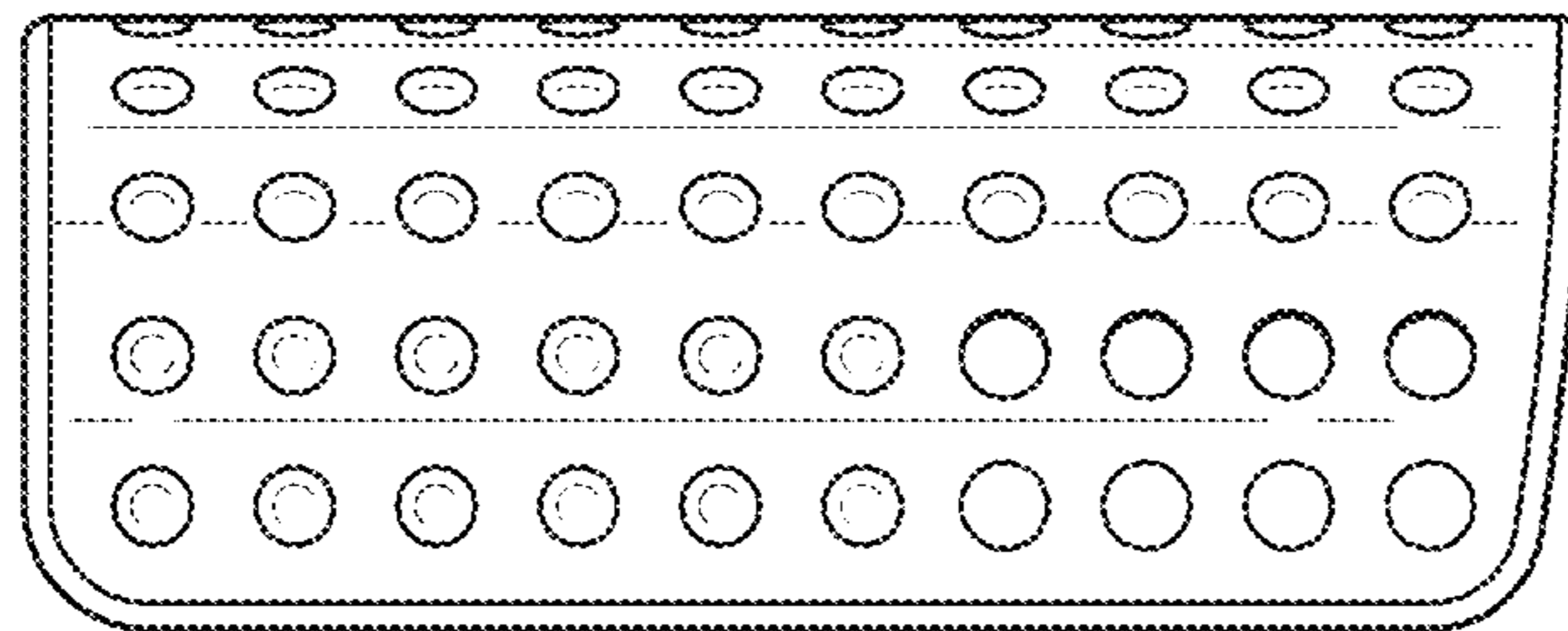


FIG. 4

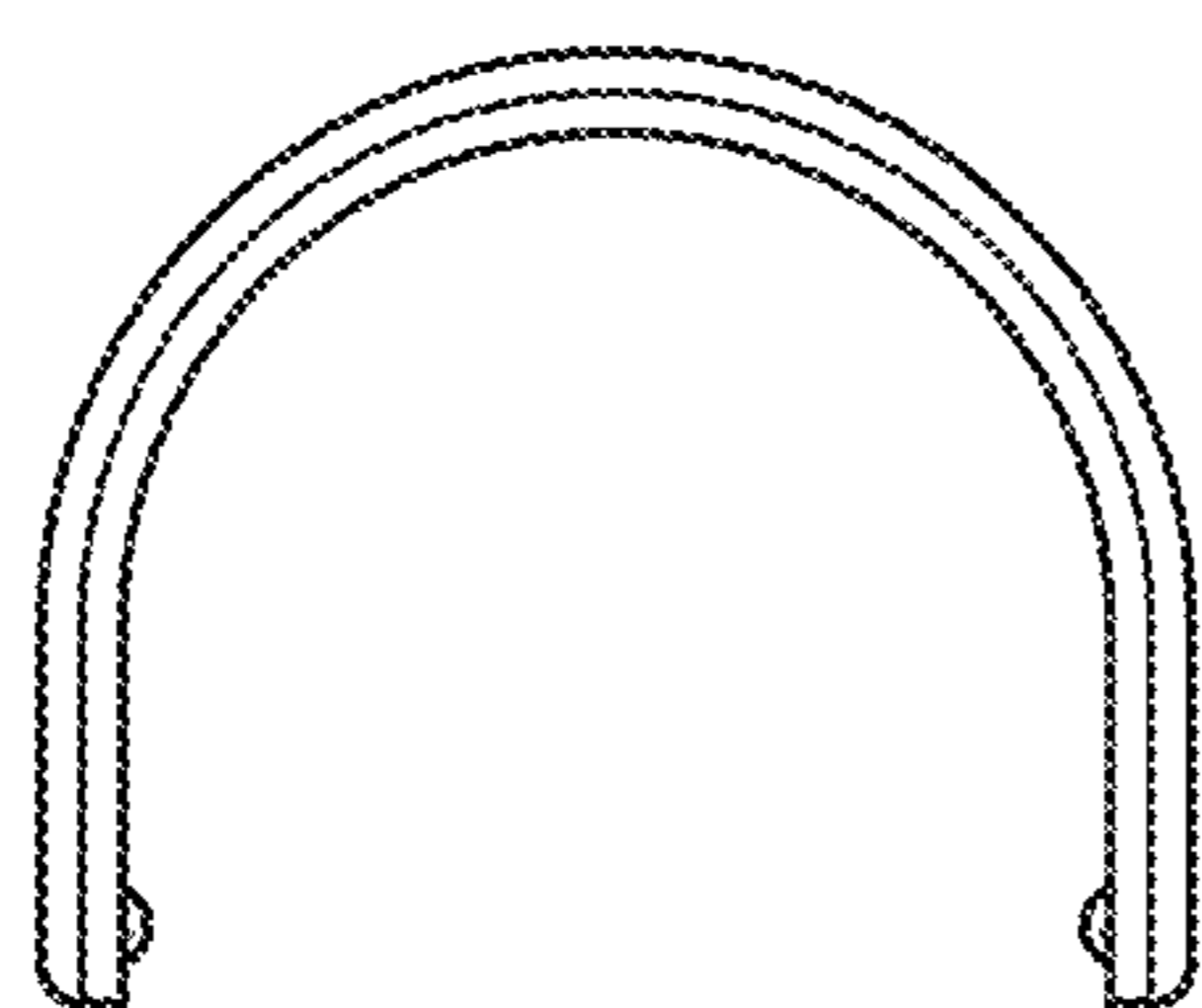


FIG. 5

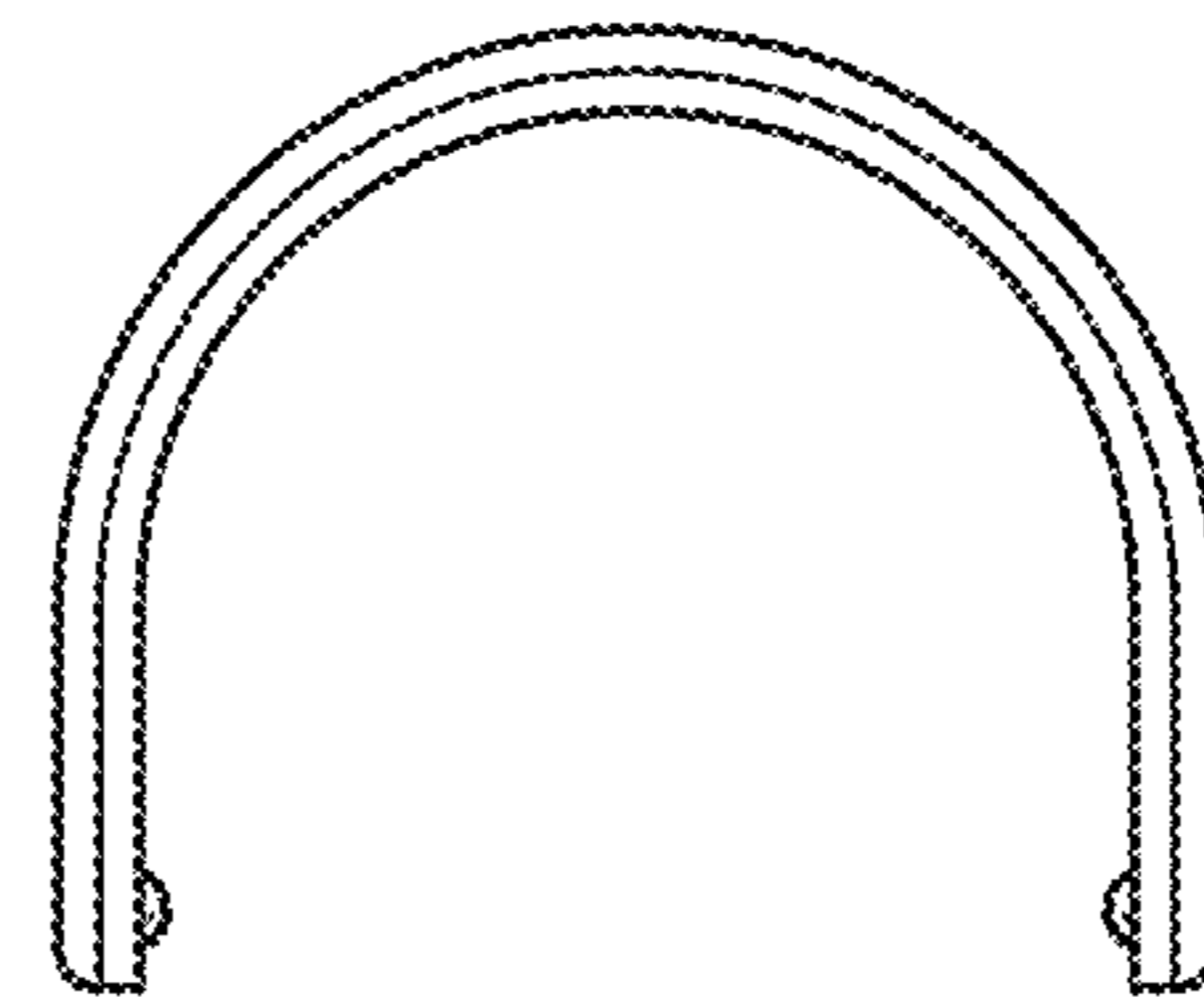


FIG. 6

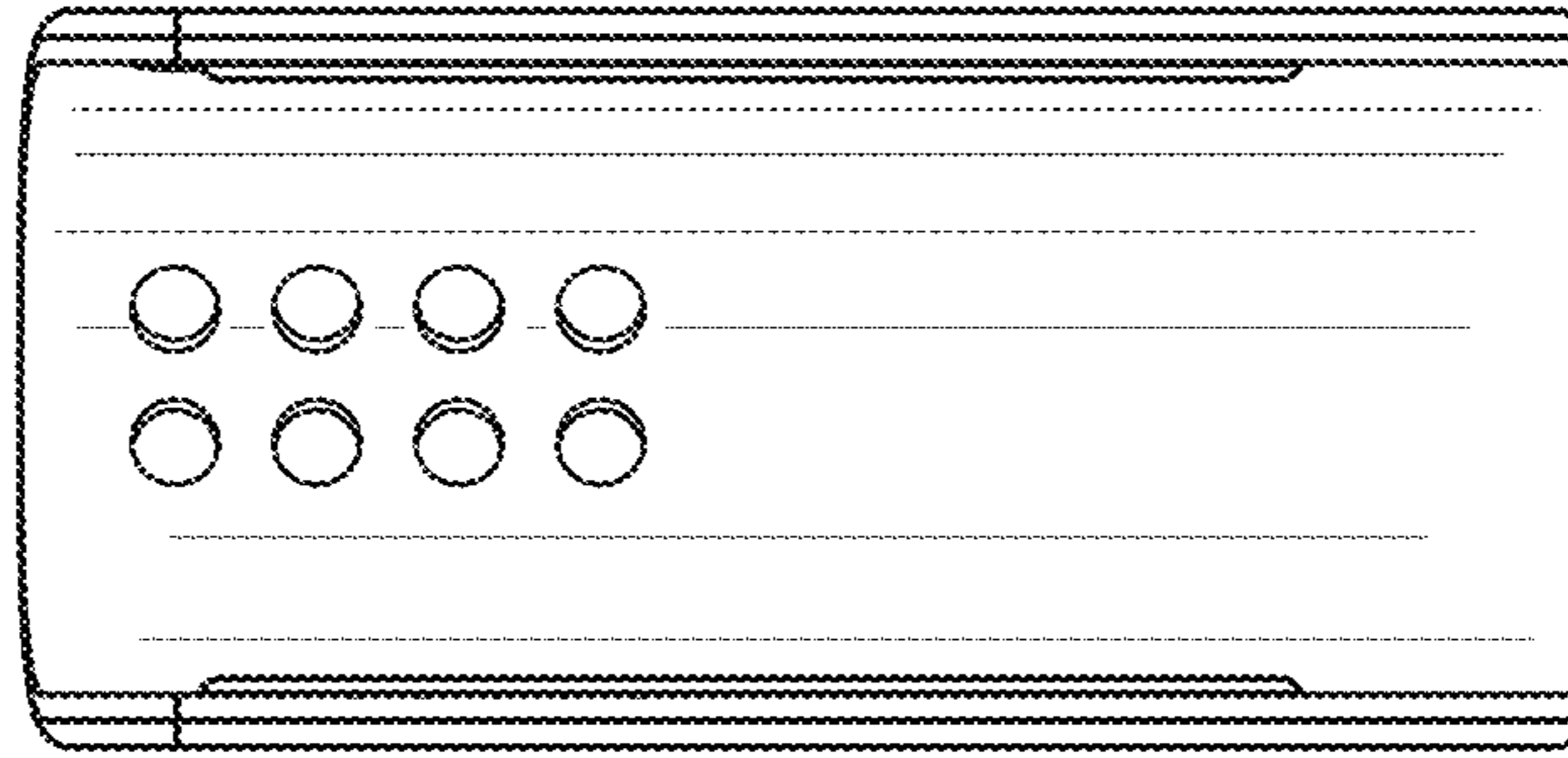


FIG. 7

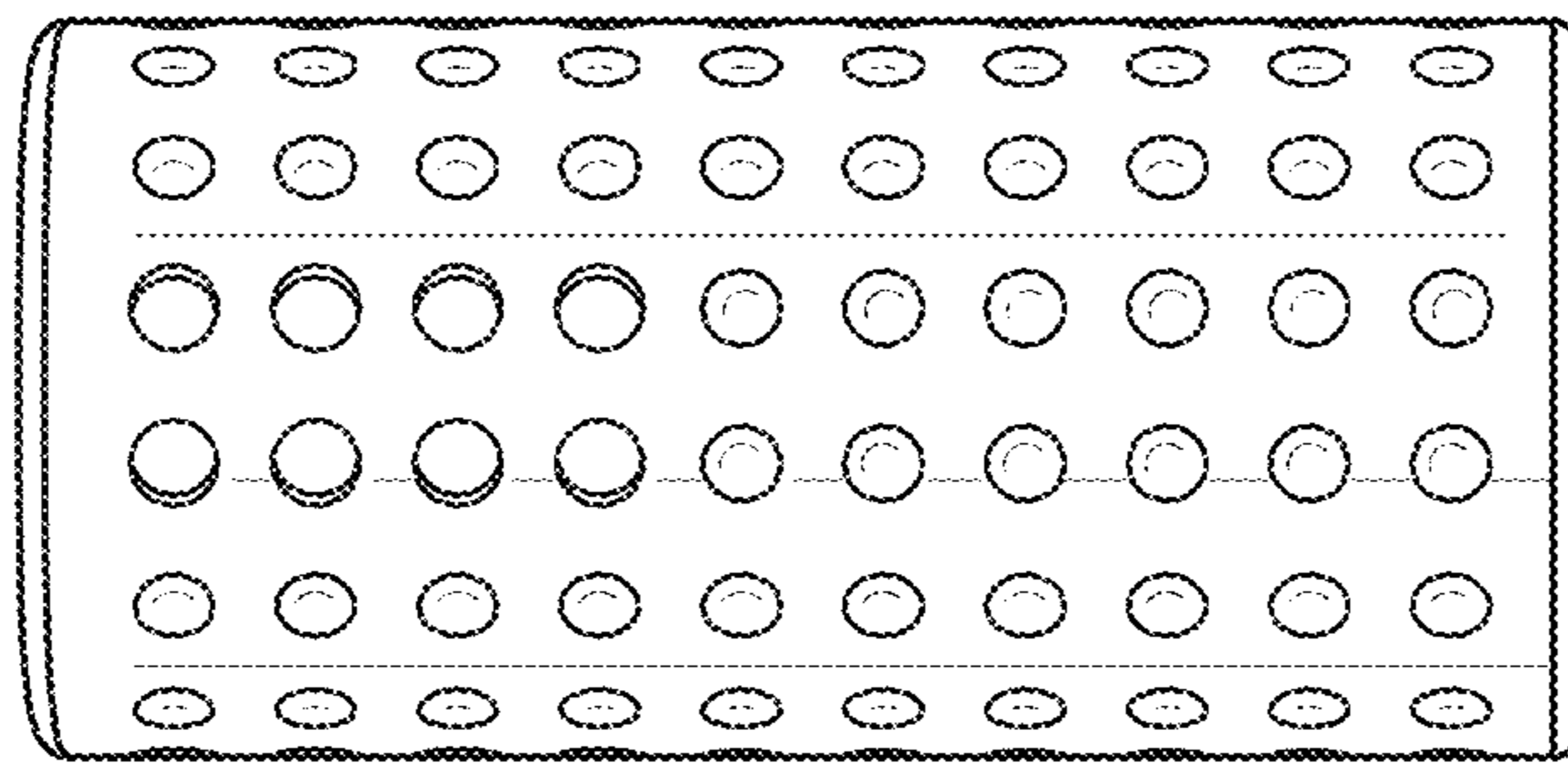


FIG. 8

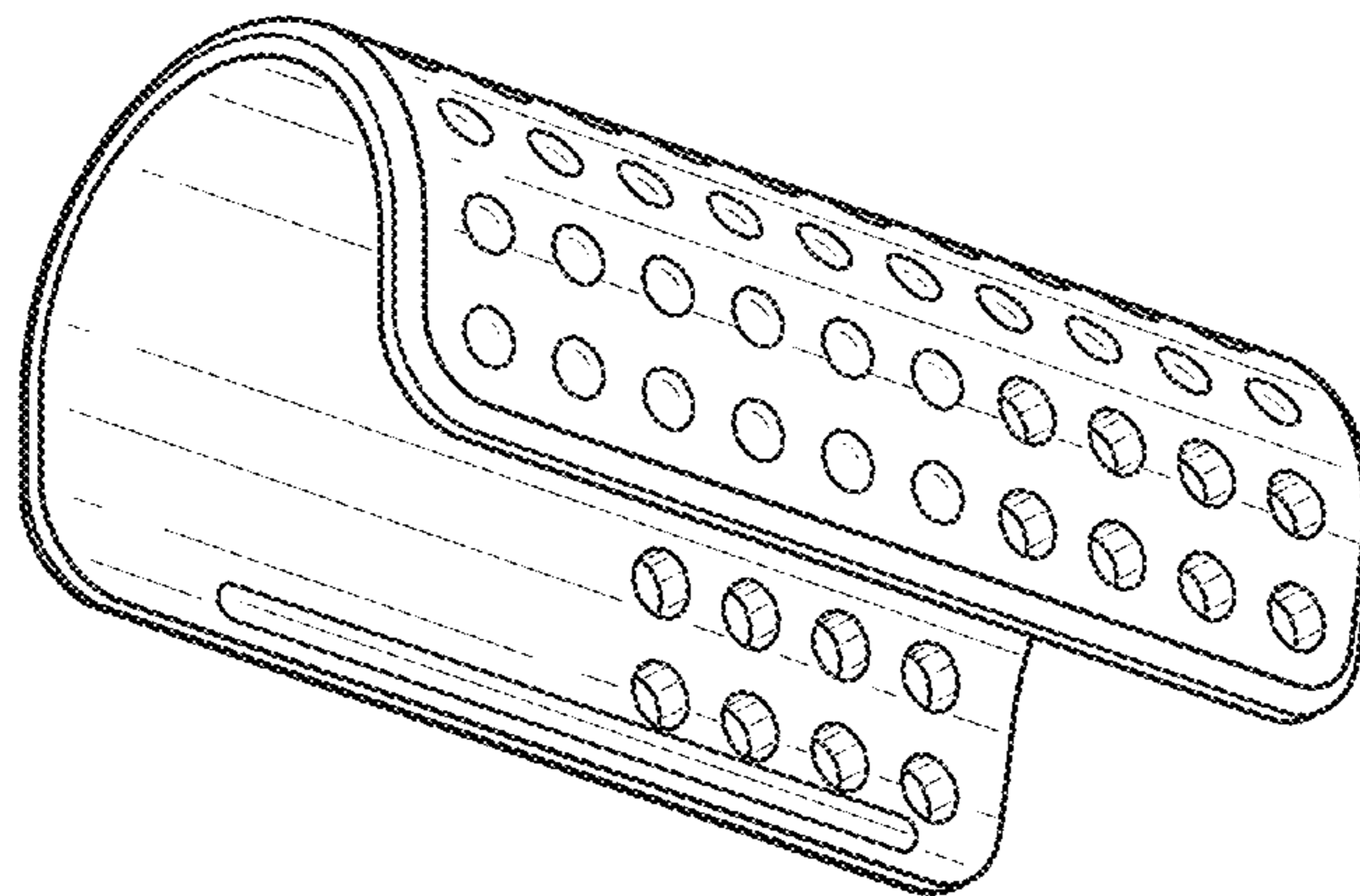


FIG. 9