



US00D835839S

(12) **United States Design Patent** (10) **Patent No.:** **US D835,839 S**
Xu (45) **Date of Patent:** **** Dec. 11, 2018**

(54) **MICROVAPORIZER HOUSING**
(71) Applicant: **Avail Vapor LLC**, N. Chesterfield, VA
(US)
(72) Inventor: **Yongjie James Xu**, Richmond, VA
(US)
(73) Assignee: **AVAIL VAPOR LLC**, N. Chesterfield,
VA (US)

(**) Term: **15 Years**

(21) Appl. No.: **29/624,382**

(22) Filed: **Oct. 31, 2017**

(51) **LOC (11) Cl.** **27-02**

(52) **U.S. Cl.**
USPC **D27/162**

(58) **Field of Classification Search**
USPC D27/100, 101, 162, 163–194;
D19/115–123, 161–169; D24/110;
D23/366
CPC A24F 47/008; A24F 47/002; A24F 7/02;
A61M 15/06
See application file for complete search history.

(56) **References Cited**

U.S. PATENT DOCUMENTS

D368,552 S *	4/1996	Adams	D27/194
D422,113 S *	3/2000	Higgins	D27/186
D424,236 S *	5/2000	Reed	D27/163
D433,532 S *	11/2000	Higgins	D27/186
D547,859 S *	7/2007	Choi	D24/113
D577,150 S *	9/2008	Bryman	D27/163
D579,544 S *	10/2008	Birath	D24/110
D579,545 S *	10/2008	Birath	D24/110
D579,547 S *	10/2008	Birath	D24/110
D629,154 S *	12/2010	Sung	D27/154
D649,708 S *	11/2011	Oneil	D27/163
D654,160 S *	2/2012	Yomtov	D23/360

D728,855 S *	5/2015	Liu	D27/163
D729,444 S *	5/2015	Leidel	D27/163
D729,445 S *	5/2015	Leidel	D27/163
D730,572 S *	5/2015	Leidel	D27/163
D731,114 S *	6/2015	Leidel	D27/163
D743,099 S *	11/2015	Oglesby	D27/101
D748,325 S *	1/2016	Leidel	D27/163
D753,336 S *	4/2016	Chen	D27/101
9,301,545 B2 *	4/2016	Li	A24F 15/18
D758,004 S *	5/2016	Freshwater	D27/163
D758,655 S *	6/2016	Freshwater	D27/163
D758,656 S *	6/2016	Freshwater	D27/163
D761,999 S *	7/2016	Liu	D27/101

(Continued)

Primary Examiner — Brandon M Rosati

Assistant Examiner — Marissa J Cash

(74) *Attorney, Agent, or Firm* — Nixon & Vanderhye P.C.

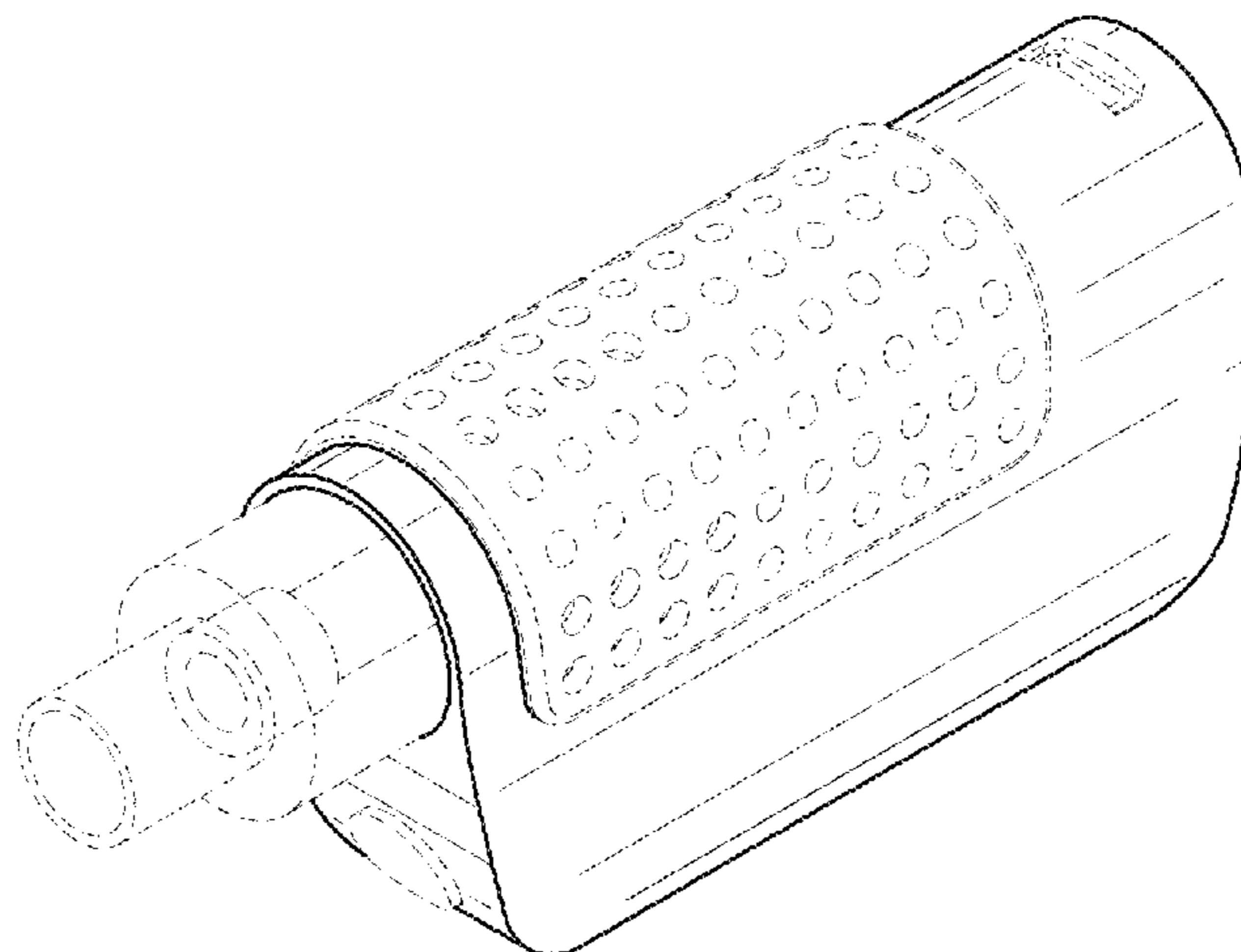
(57) **CLAIM**

The ornamental design for a microvaporizer housing, as shown and described.

DESCRIPTION

FIG. 1 is a front, top, right side perspective view of a microvaporizer housing showing my new design; FIG. 2 is another front, top, right side perspective view thereof; FIG. 3 is a bottom view thereof; FIG. 4 is a top view thereof; FIG. 5 is a right side view thereof; FIG. 6 is a left side view thereof; FIG. 7 is a front view thereof; FIG. 8 is a rear view thereof; and, FIG. 9 is a bottom, rear, left side perspective view thereof. Where included, the broken lines represent environmental structure or unclaimed portions of the microvaporizer housing and do not form a portion of the claimed design. Applicant reserves the right to pursue any design element contained in this application or any portion thereof.

1 Claim, 6 Drawing Sheets



(56)

References Cited

U.S. PATENT DOCUMENTS

D769,520 S * 10/2016 Hua D27/167
 D770,678 S * 11/2016 Shin D27/163
 D771,867 S * 11/2016 Leidel D27/163
 D772,477 S * 11/2016 Shin D27/163
 D773,114 S * 11/2016 Leidel D27/163
 D773,116 S * 11/2016 Liu D27/167
 D775,414 S * 12/2016 Ampolini D13/108
 D775,762 S * 1/2017 Chen D27/101
 D780,373 S * 2/2017 Bennett D27/186
 D788,362 S * 5/2017 Qiu D27/101
 D788,364 S * 5/2017 Chen D27/163
 D790,766 S * 6/2017 Li D27/163
 D792,020 S * 7/2017 Mendoza D27/101
 D792,021 S * 7/2017 Beer D27/101
 D799,111 S * 10/2017 Qiu D27/101
 D799,743 S * 10/2017 Qiu D27/101
 D799,746 S * 10/2017 Leidel D27/163
 D800,377 S * 10/2017 Liu D27/101
 D801,507 S * 10/2017 Kelnhofer D23/366
 D802,834 S * 11/2017 Mathias D27/163
 D805,685 S * 12/2017 Lee D27/101
 D807,286 S * 1/2018 Qiu D13/103
 D807,576 S * 1/2018 Liu D27/163
 D807,577 S * 1/2018 Ward D27/167
 D807,818 S * 1/2018 Mathias D13/107
 D808,071 S * 1/2018 Folkerts D27/101
 D808,073 S * 1/2018 Leidel D27/162

D808,792 S * 1/2018 Jaggi D9/420
 D809,191 S * 1/2018 Li D27/101
 D809,192 S * 1/2018 Liu D27/163
 D814,693 S * 4/2018 Qiu D27/101
 D815,347 S * 4/2018 Jones D27/194
 9,961,940 B2 * 5/2018 Anderson, Jr. A24F 47/008
 9,968,136 B1 * 5/2018 Bell A24F 47/008
 D819,880 S * 6/2018 Qiu D27/101
 D819,882 S * 6/2018 Qiu D27/101
 D821,639 S * 6/2018 Dai D27/162
 D821,640 S * 6/2018 Qiu D27/162
 2017/0006918 A1 * 1/2017 Chen A24F 47/008
 2017/0208863 A1 * 7/2017 Davis A24F 47/008
 2017/0208864 A1 * 7/2017 Anderson, Jr. A24F 47/008
 2017/0245550 A1 * 8/2017 Freeland A24F 47/008
 2017/0290371 A1 * 10/2017 Davis A24F 47/008
 2017/0367406 A1 * 12/2017 Schuler A24F 47/008
 2018/0007967 A1 * 1/2018 Davis A24F 47/008
 2018/0013175 A1 * 1/2018 Liu H01M 10/425
 2018/0035715 A1 * 2/2018 Wu A24F 47/008
 2018/0070638 A1 * 3/2018 Qiu A24F 47/008
 2018/0084828 A1 * 3/2018 Phillips A24F 47/008
 2018/0084836 A1 * 3/2018 Perez B65D 85/54
 2018/0110943 A1 * 4/2018 Raichman A61M 15/06
 2018/0116281 A1 * 5/2018 Anderson, Jr. A24F 47/008
 2018/0132526 A1 * 5/2018 Davis A24F 47/008
 2018/0153219 A1 * 6/2018 Verleur A24F 47/008
 2018/0160739 A1 * 6/2018 Chen A24F 47/008
 2018/0166238 A1 * 6/2018 Chen H01H 36/02

* cited by examiner

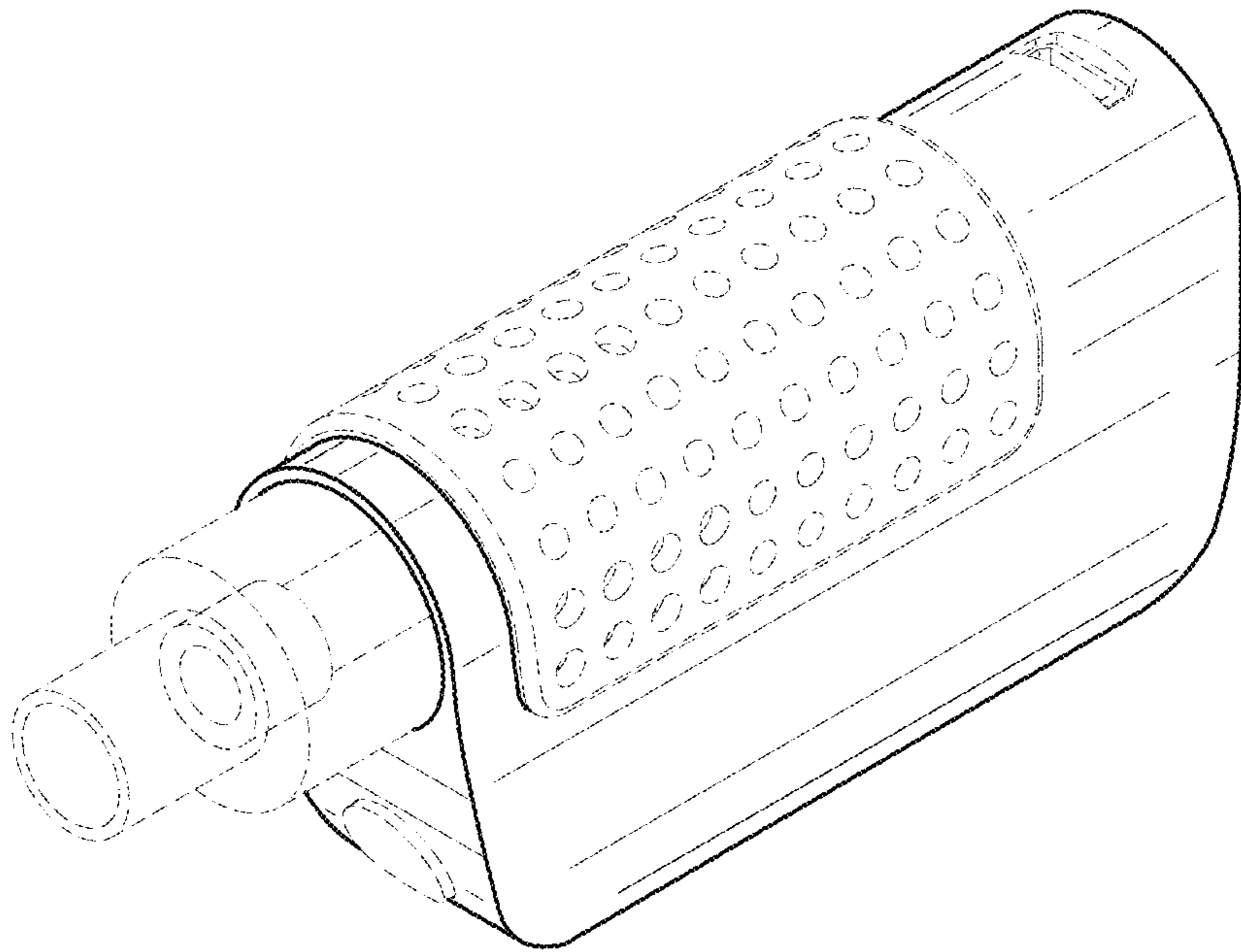


FIG. 1

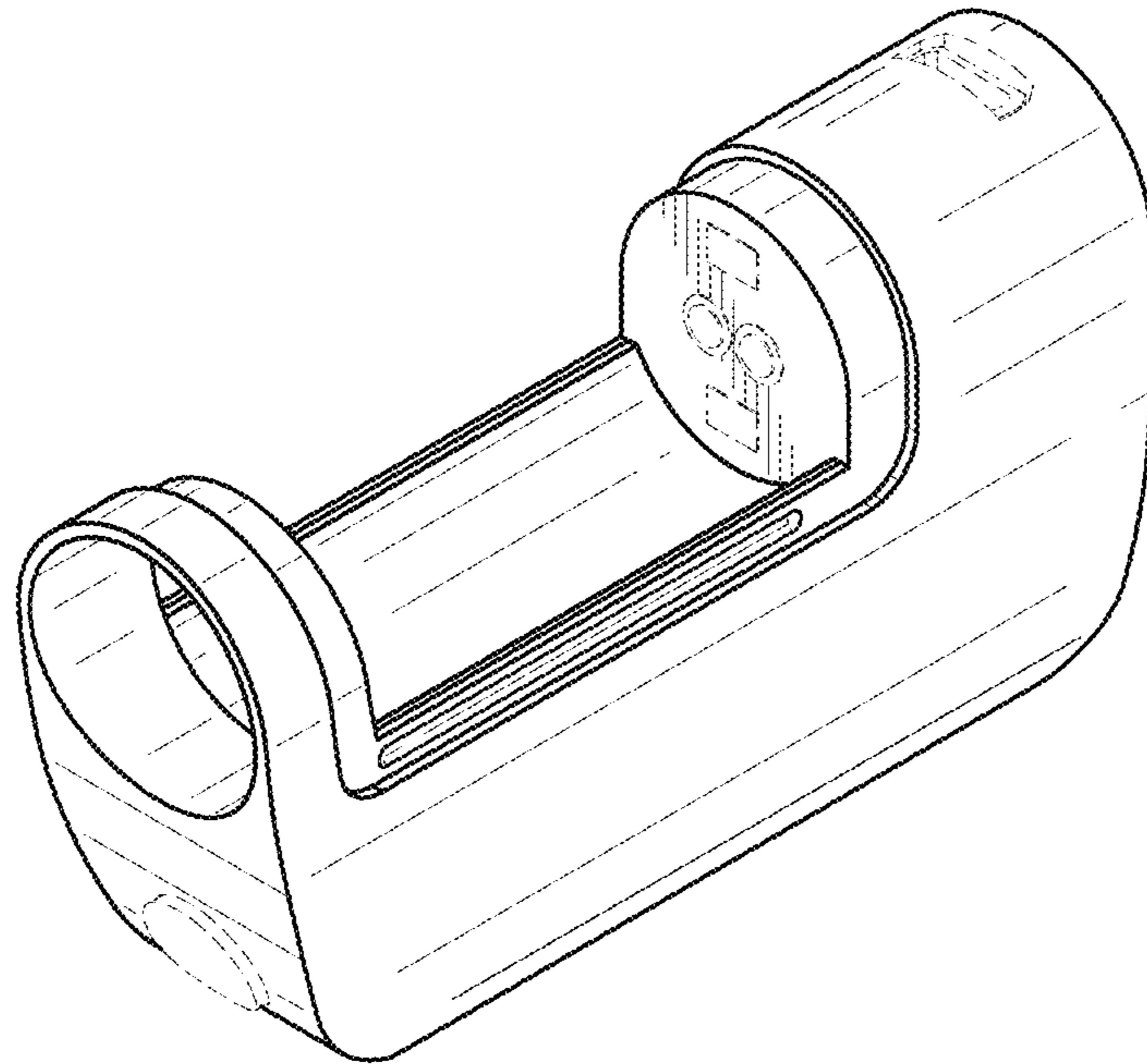


FIG. 2

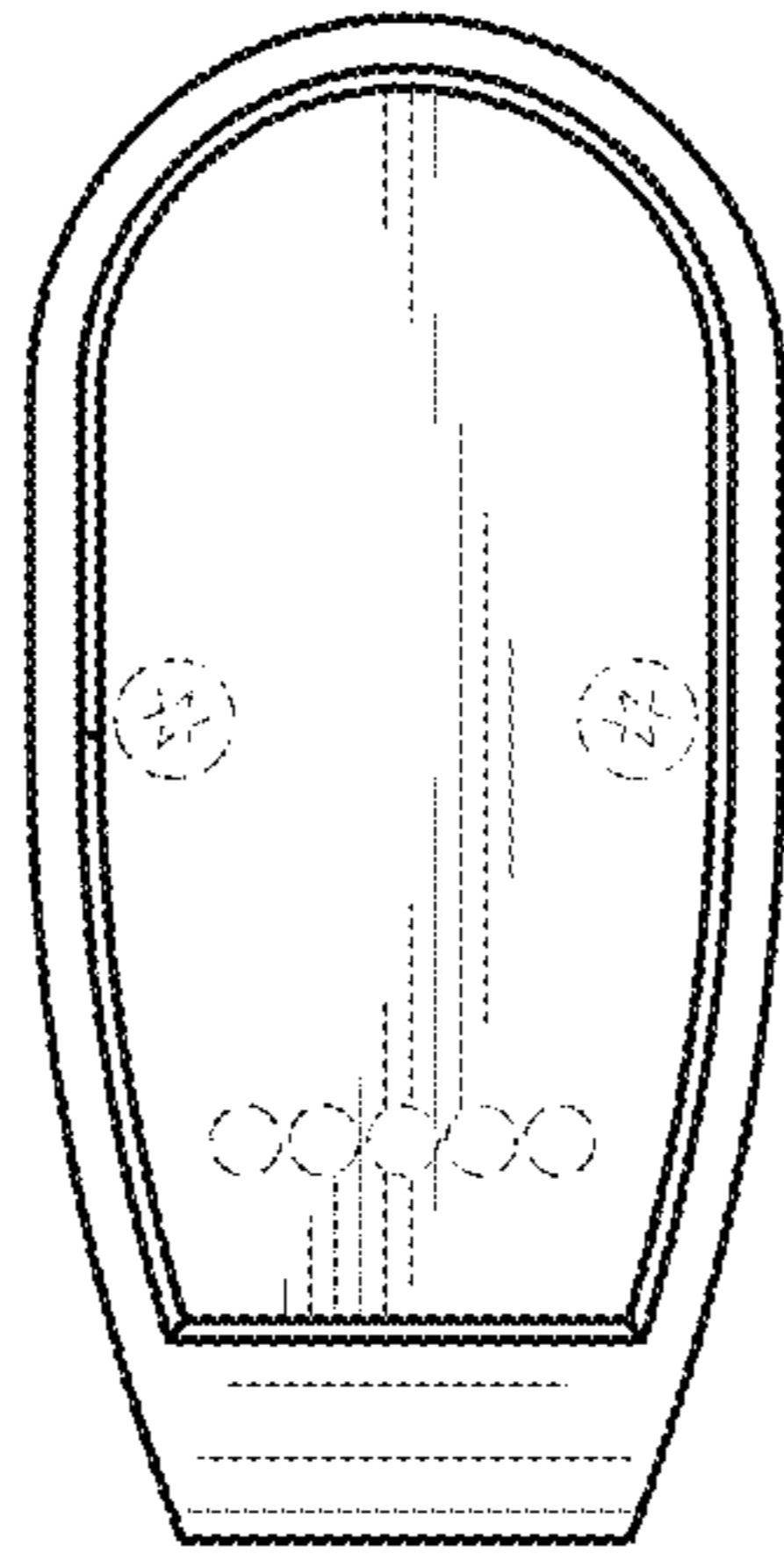


FIG. 3

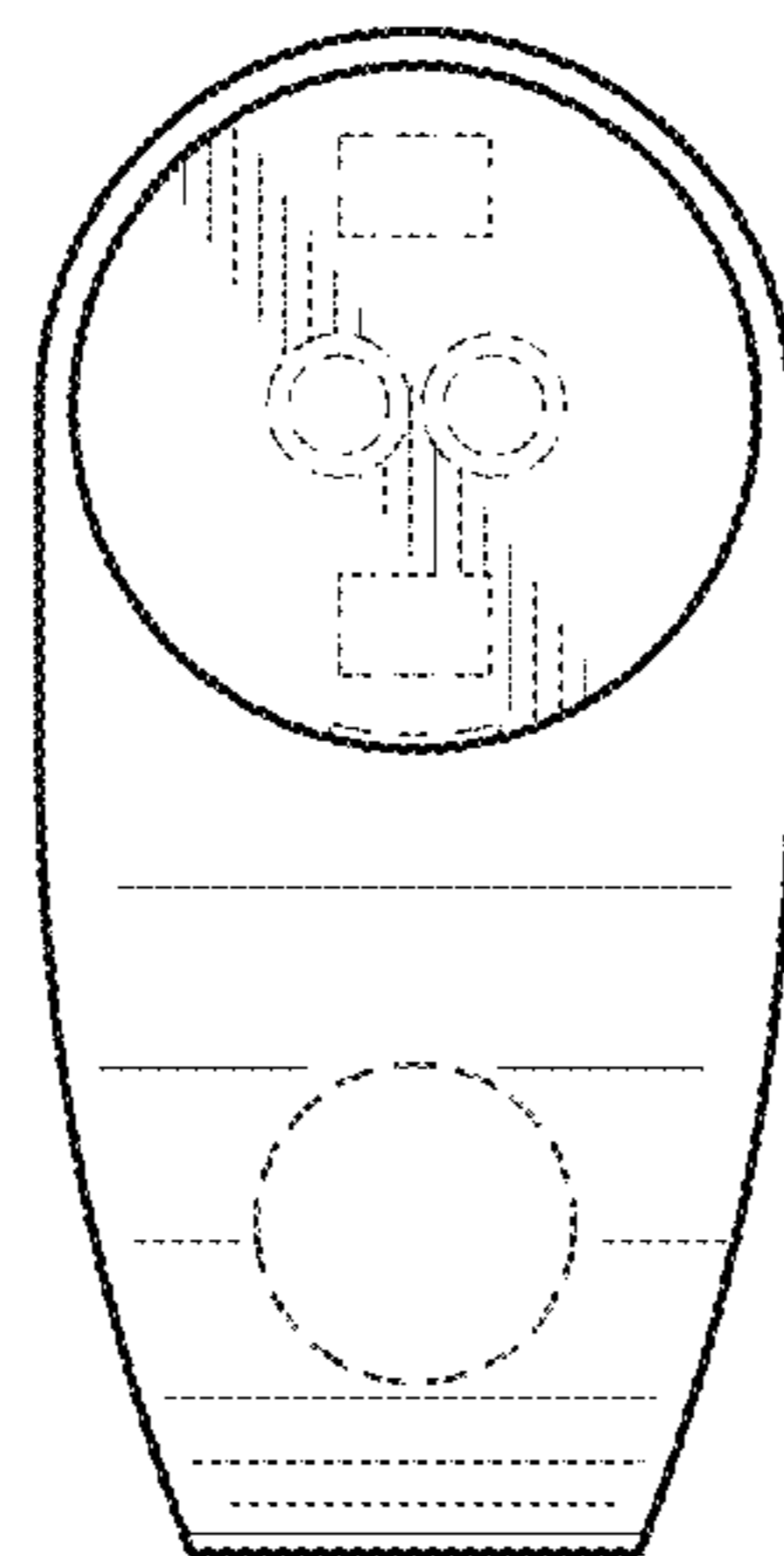


FIG. 4

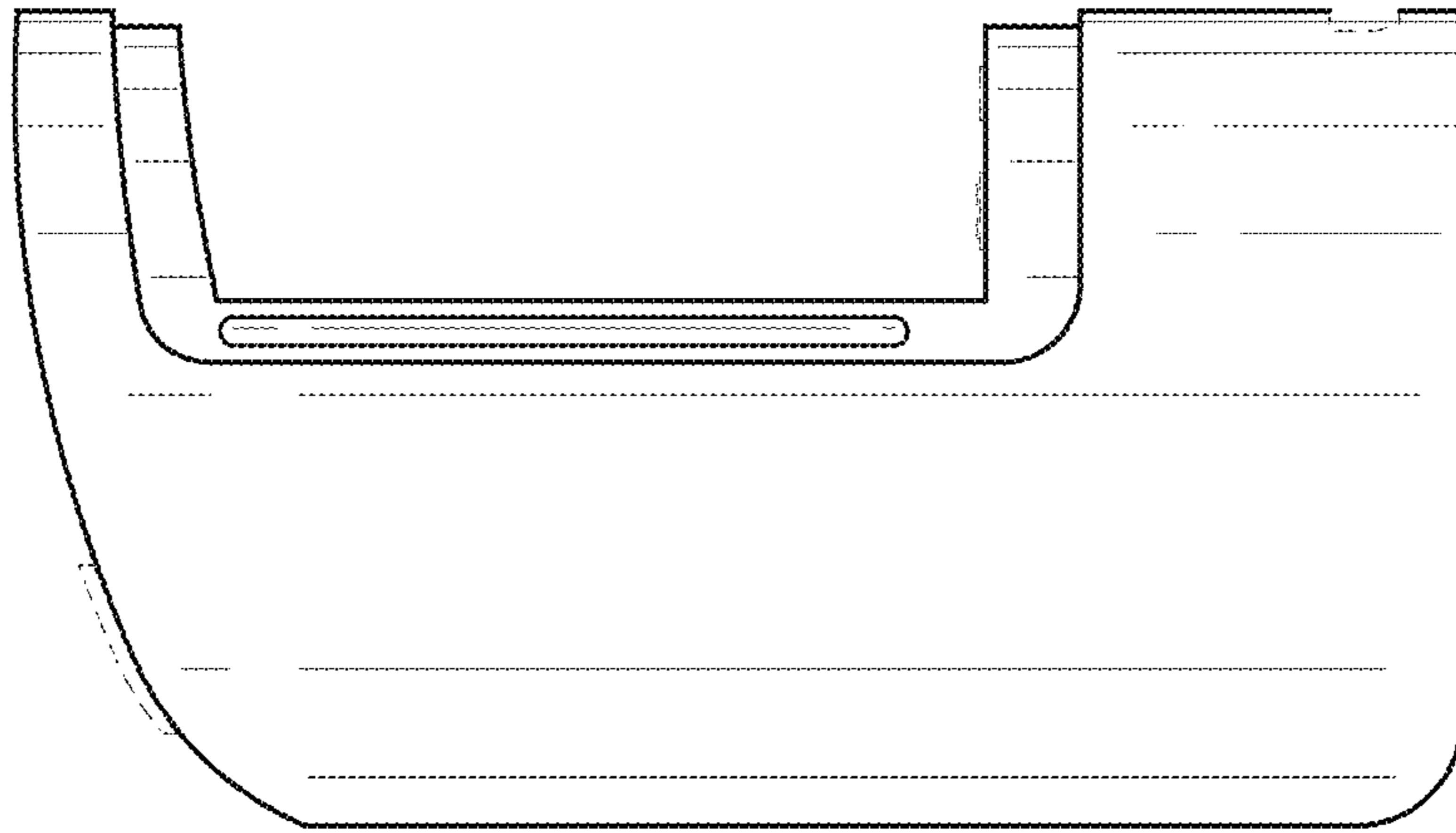


FIG. 5

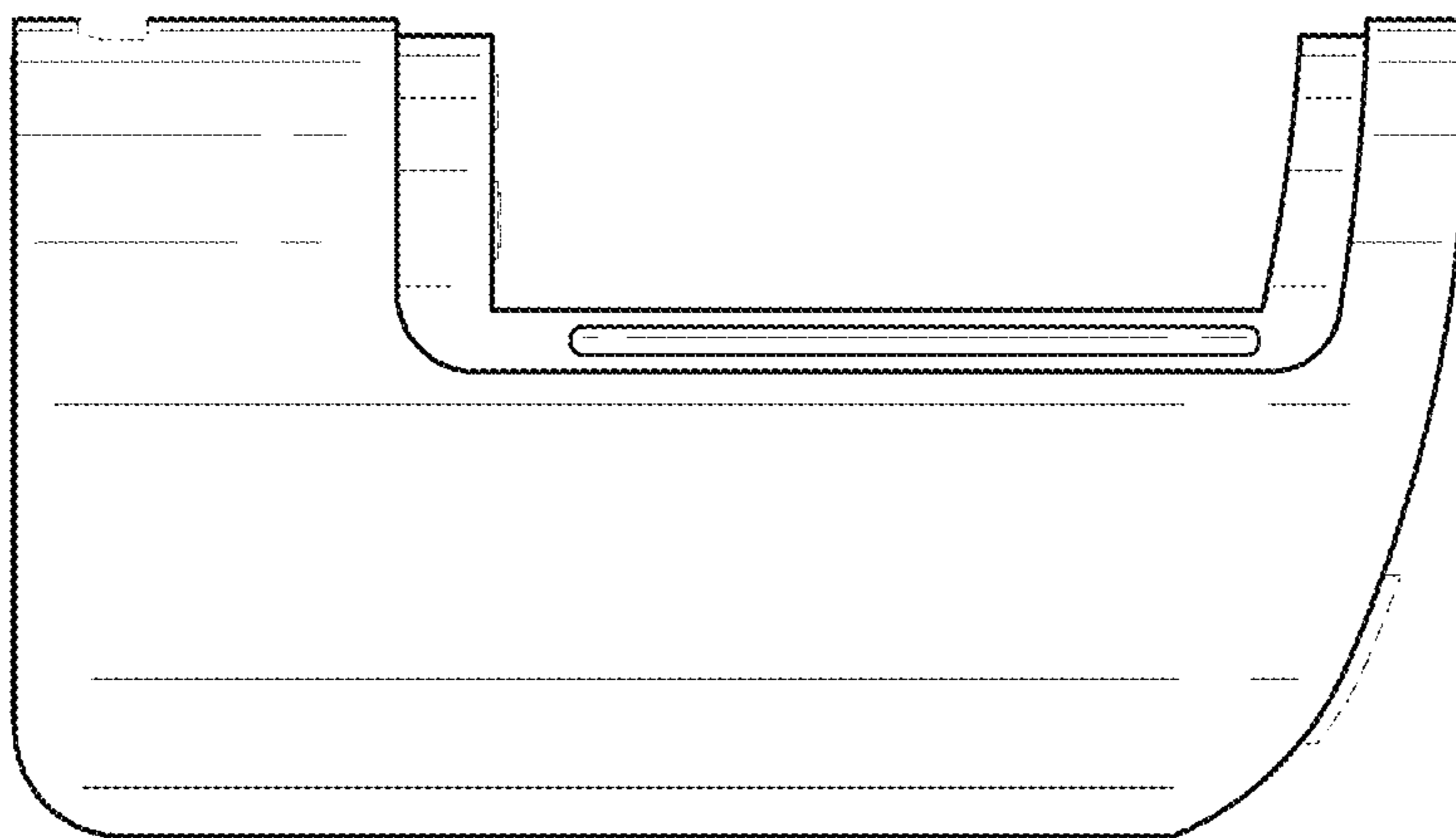


FIG. 6

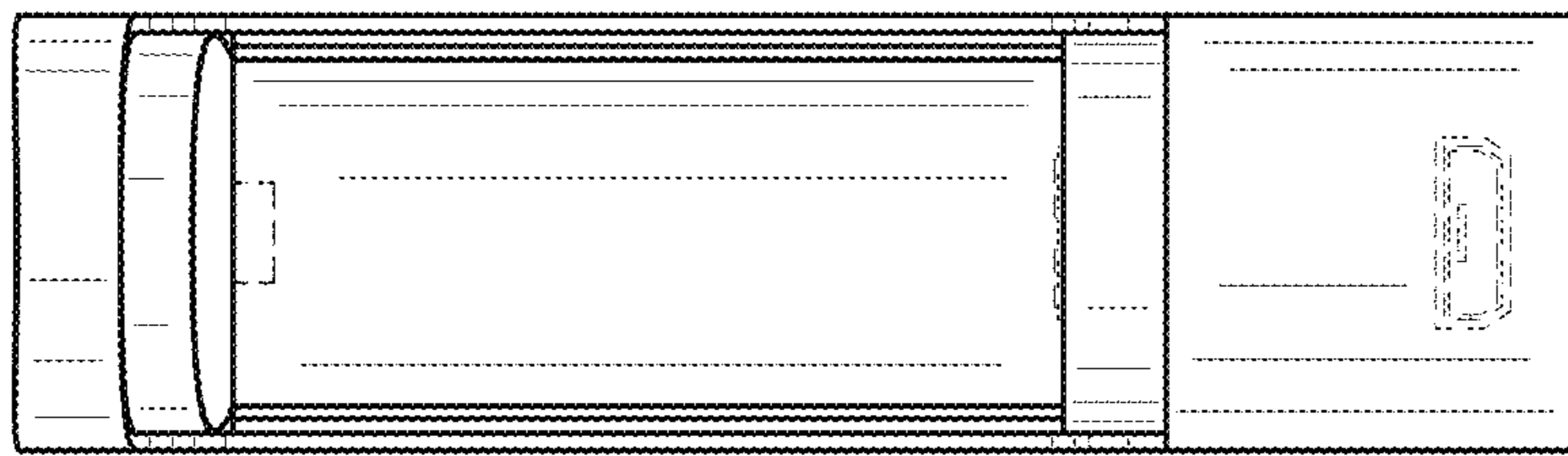


FIG. 7

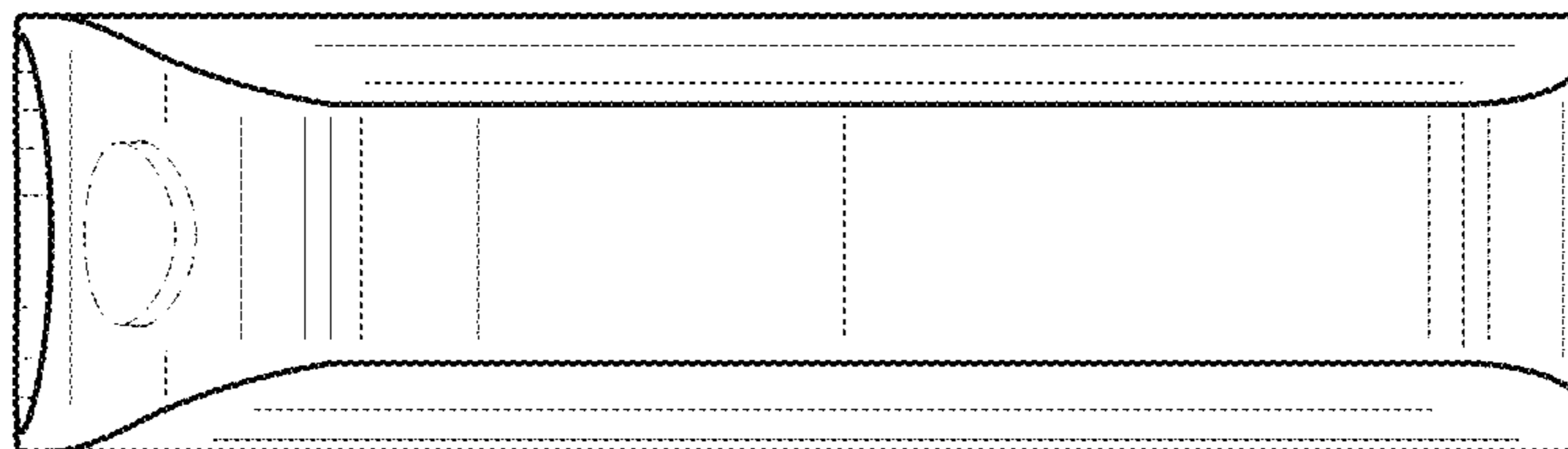


FIG. 8

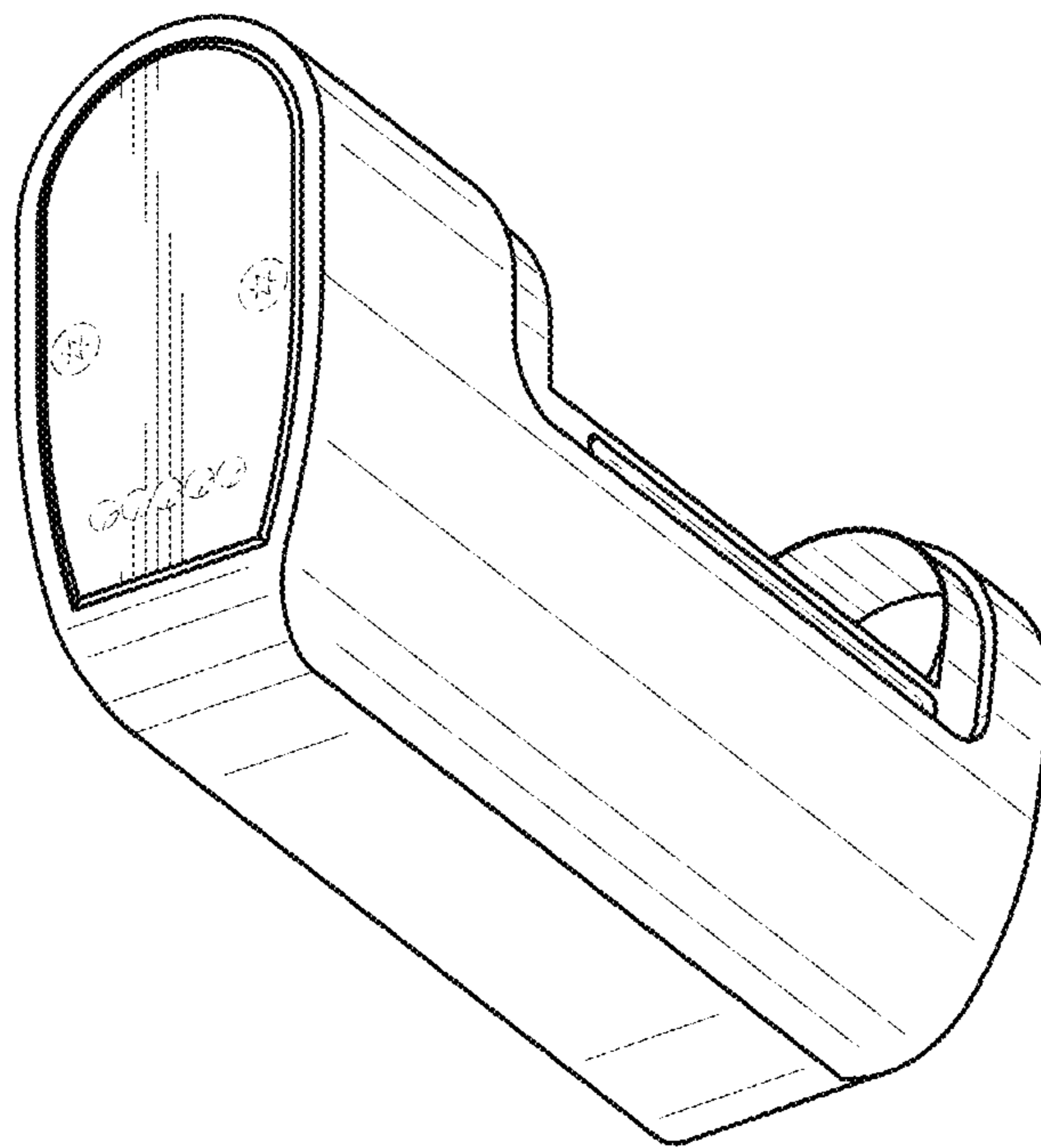


FIG. 9