



US00D835837S

(12) **United States Design Patent** (10) **Patent No.:** **US D835,837 S**
Dean (45) **Date of Patent:** **** Dec. 11, 2018**

(54) **MATCHBOX**
(71) Applicant: **Prentina Dean**, Lexington, MS (US)
(72) Inventor: **Prentina Dean**, Lexington, MS (US)
(**) Term: **15 Years**
(21) Appl. No.: **29/616,294**
(22) Filed: **Sep. 5, 2017**
(51) **LOC (11) Cl.** **27-06**
(52) **U.S. Cl.**
USPC **D27/106**; D9/600
(58) **Field of Classification Search**
USPC D3/270, 271.1–271.4, 271.7; D7/510,
D7/514–520, 599, 604, 613, 619.2, 623,
D7/628; D9/600, 652, 500–505, 516,
D9/522, 537–546, 571–575; 206/457,
206/459.5, 488, 527; 215/381–384, 400;
229/116.1; D11/157; D23/301;
D27/173–178
CPC B65D 5/42; B65D 81/36; B65D 81/60;
B65D 81/365; B65D 81/366; B65D
81/368; B65D 2203/00; B65D 2203/02;
B65D 67/00; B65D 79/00; A63H 33/16
See application file for complete search history.

(56) **References Cited**
U.S. PATENT DOCUMENTS
846,683 A 3/1901 Moore
1,657,692 A 1/1928 Mills
2,085,314 A 6/1937 Hamilton
2,087,360 A 7/1937 Shekerjian
2,256,044 A 9/1941 Copeland
2,455,685 A 12/1948 Lehman
3,042,190 A 7/1962 Merila
3,715,549 A * 2/1973 Kraff A47K 17/00
200/330
3,967,725 A 7/1976 Thompson
4,199,324 A 4/1980 McPeak
D292,774 S * 11/1987 McGraw D9/600

D314,508 S 2/1991 Pascual
5,020,719 A 6/1991 Roth
D337,012 S 7/1993 Nordyk
D343,352 S * 1/1994 Sahr D9/600
D380,583 S 7/1997 Wharmby
D442,330 S 5/2001 Cousins
D455,822 S * 4/2002 McKeone D23/301
D604,631 S * 11/2009 Duncan D9/600
8,459,448 B1 6/2013 Bussone
D706,400 S * 6/2014 Spangler D23/301
D710,537 S 8/2014 Jackson
D749,364 S * 2/2016 Hebert A47K 17/00
D7/515

(Continued)

OTHER PUBLICATIONS

Mini Toilet Ashtrays, vintage but undated. https://www.ebay.ie/itm/5-Souvenir-Mini-Toilets-Ashtrays-Cigarette-Holder-Lot-Vtg-Ceramic-Novelty-Potty/263782675172?hash=item3d6aac32e4:g:YkUAAOSwR9pbBE6C.*
Photographs of a full-sized toilet.

Primary Examiner — Sandra L Morris
(74) *Attorney, Agent, or Firm* — Nicholas J. Landau;
Bradley Arant Boult Cummings LLP

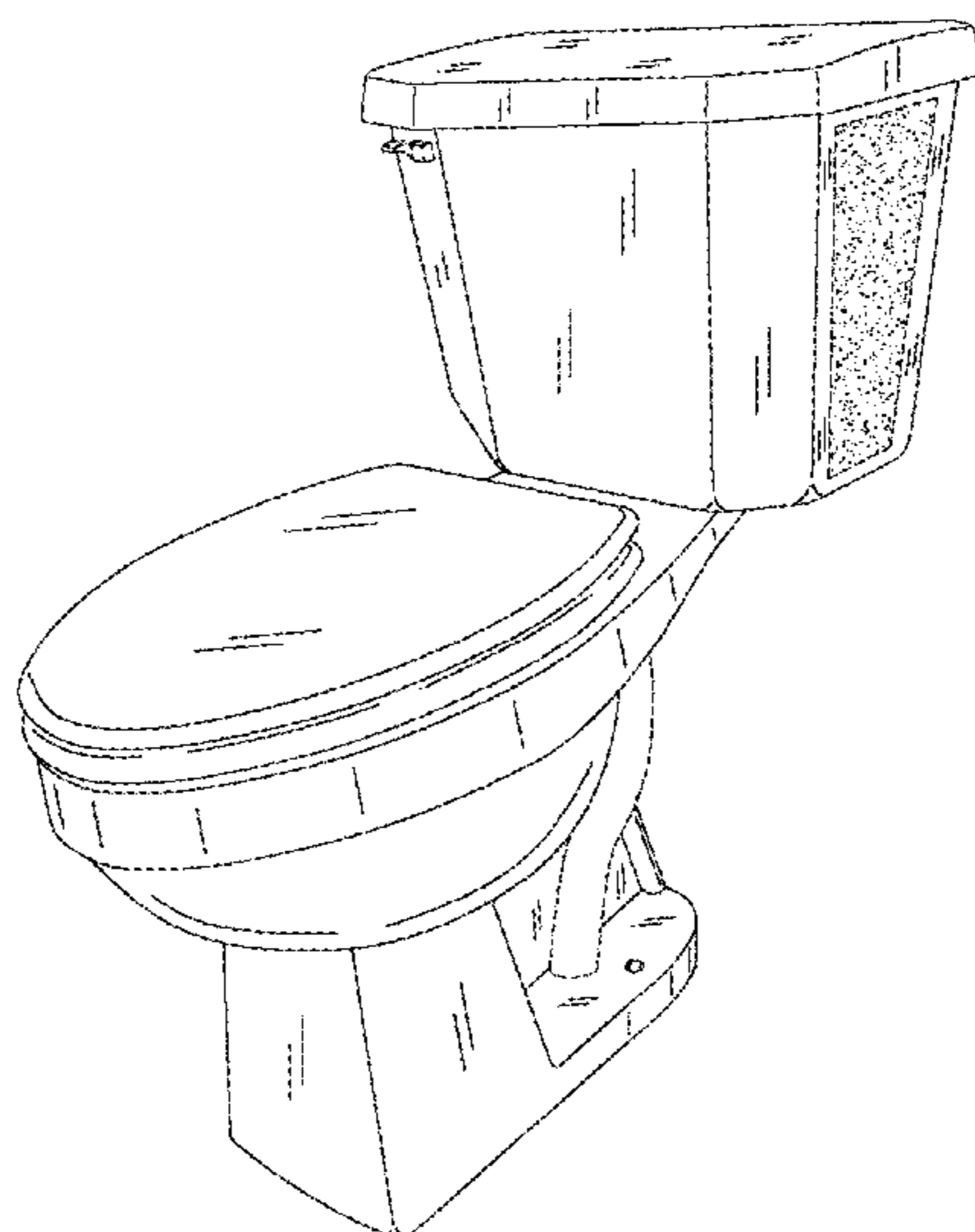
(57) **CLAIM**

The ornamental design for a matchbox, substantially as shown and described.

DESCRIPTION

FIG. 1 is a front perspective view of a matchbox;
FIG. 2 is a front elevation view of the matchbox of FIG. 1;
FIG. 3 is a rear elevation view of the matchbox of FIG. 1;
FIG. 4 is a side elevation view of the matchbox of FIG. 1;
and,
FIG. 5 is a top plan view of the matchbox of FIG. 1.
The dashed lines shown in the drawings illustrate environmental structure and form no part of the claimed design.

1 Claim, 5 Drawing Sheets



(56)

References Cited

U.S. PATENT DOCUMENTS

2004/0094563 A1 5/2004 Stern

* cited by examiner

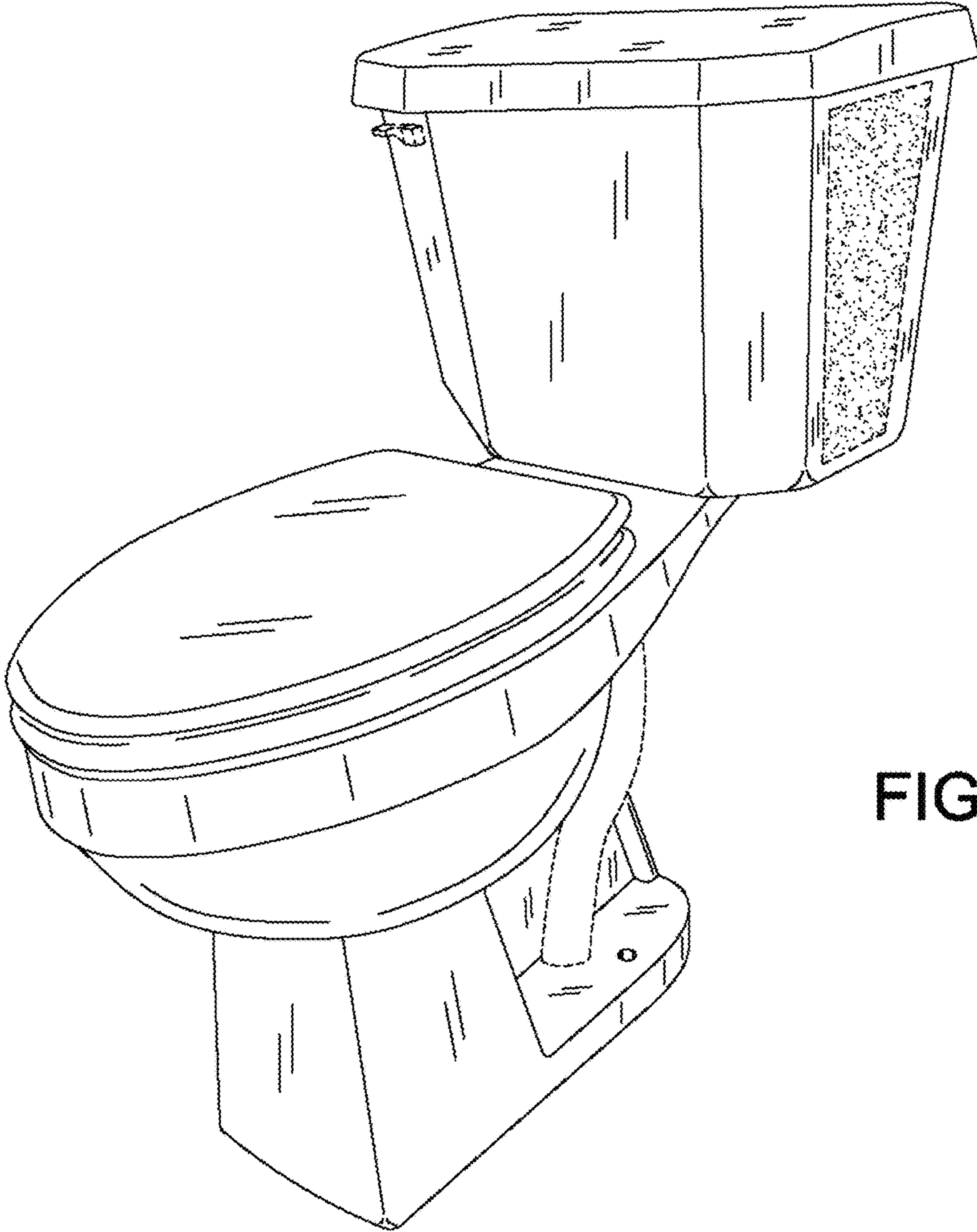


FIG. 1

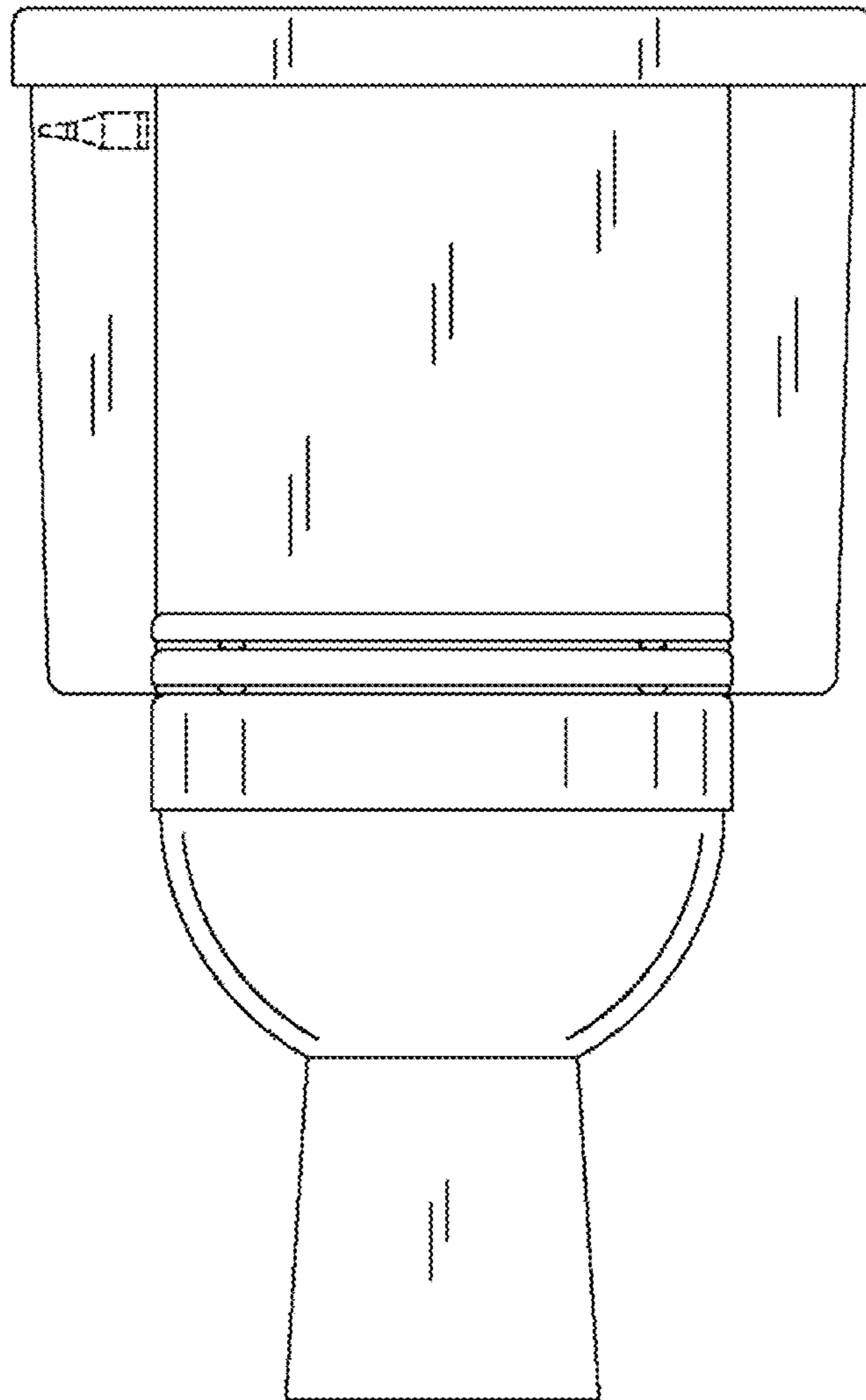


FIG. 2

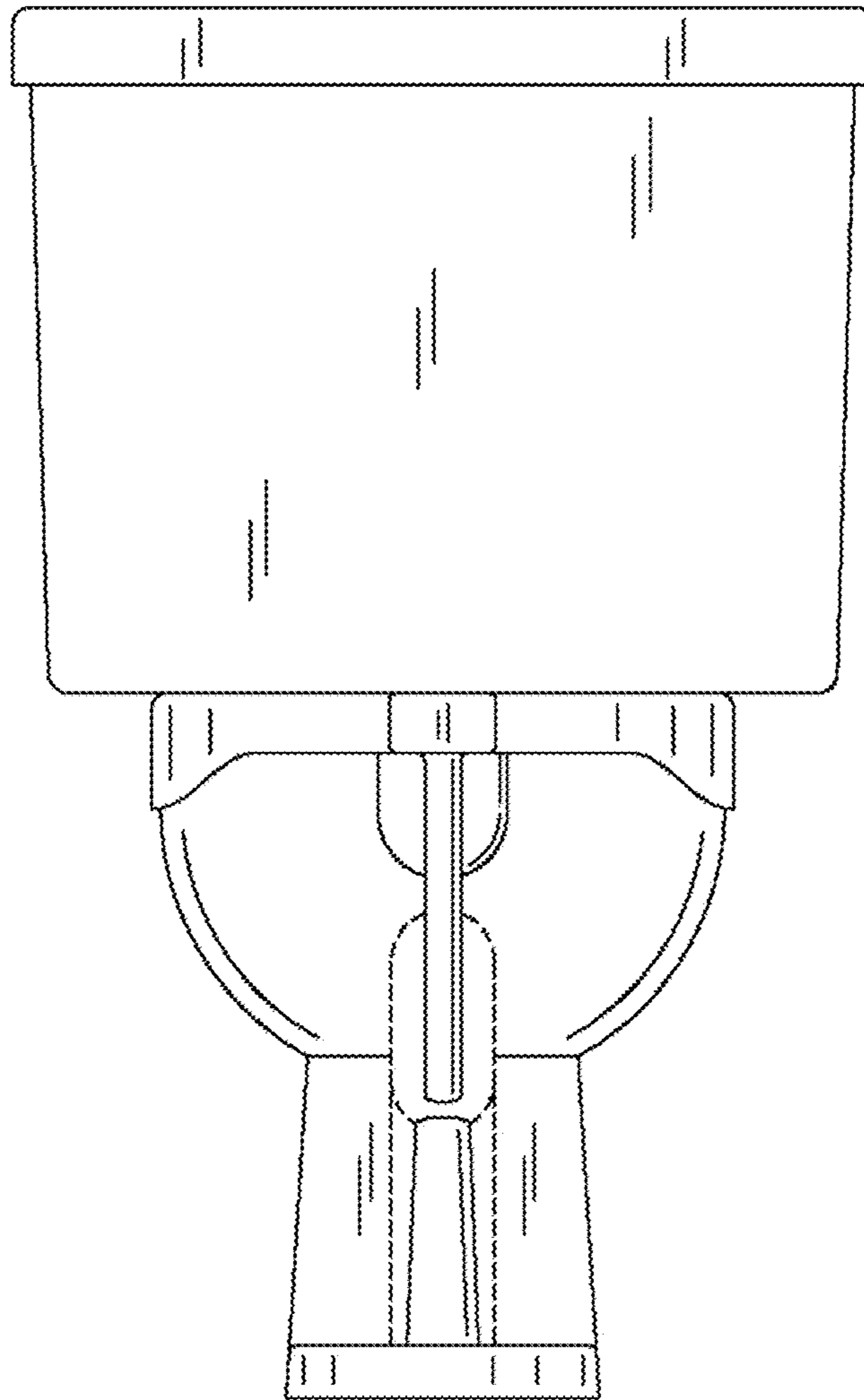


FIG. 3

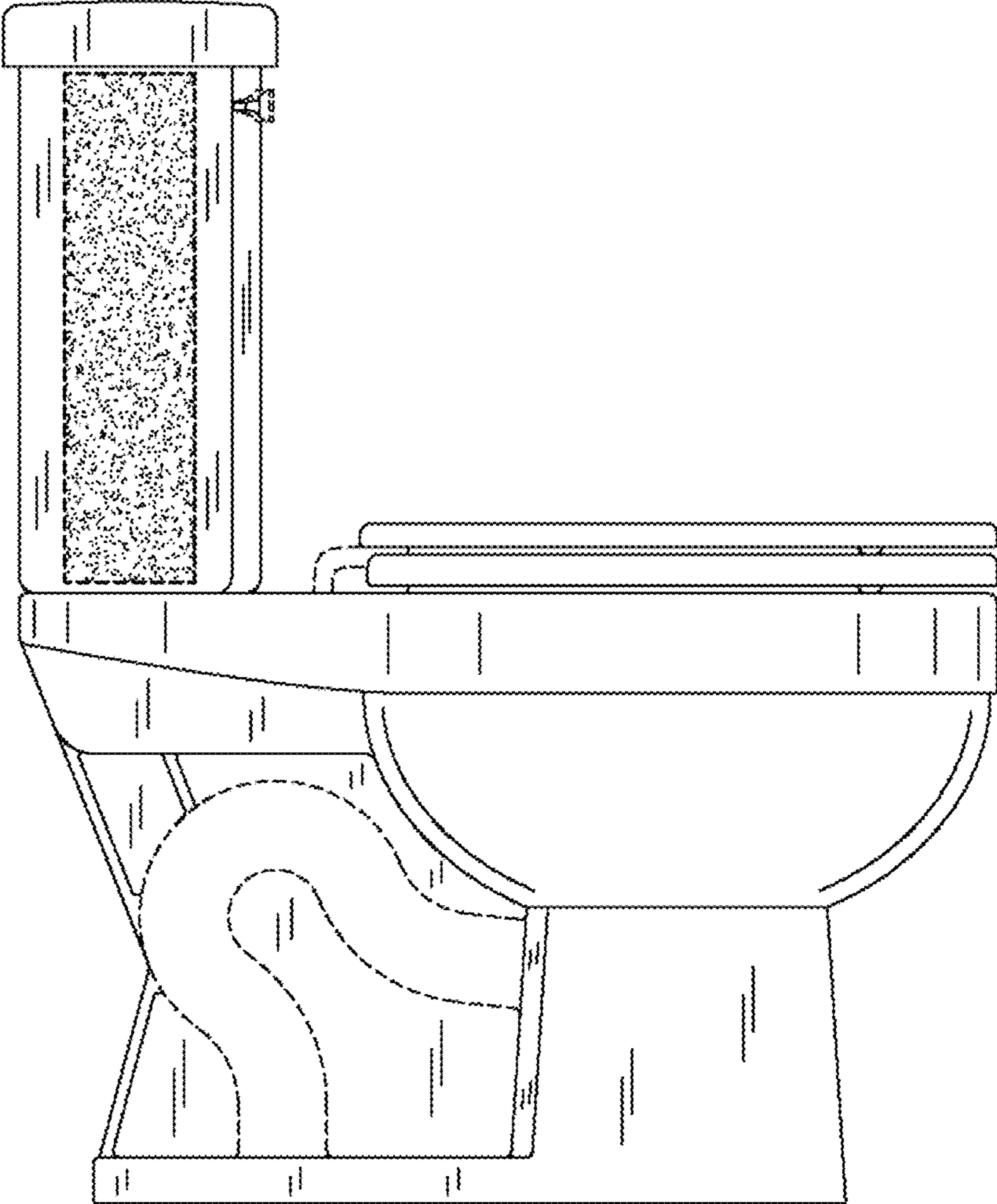


FIG. 4

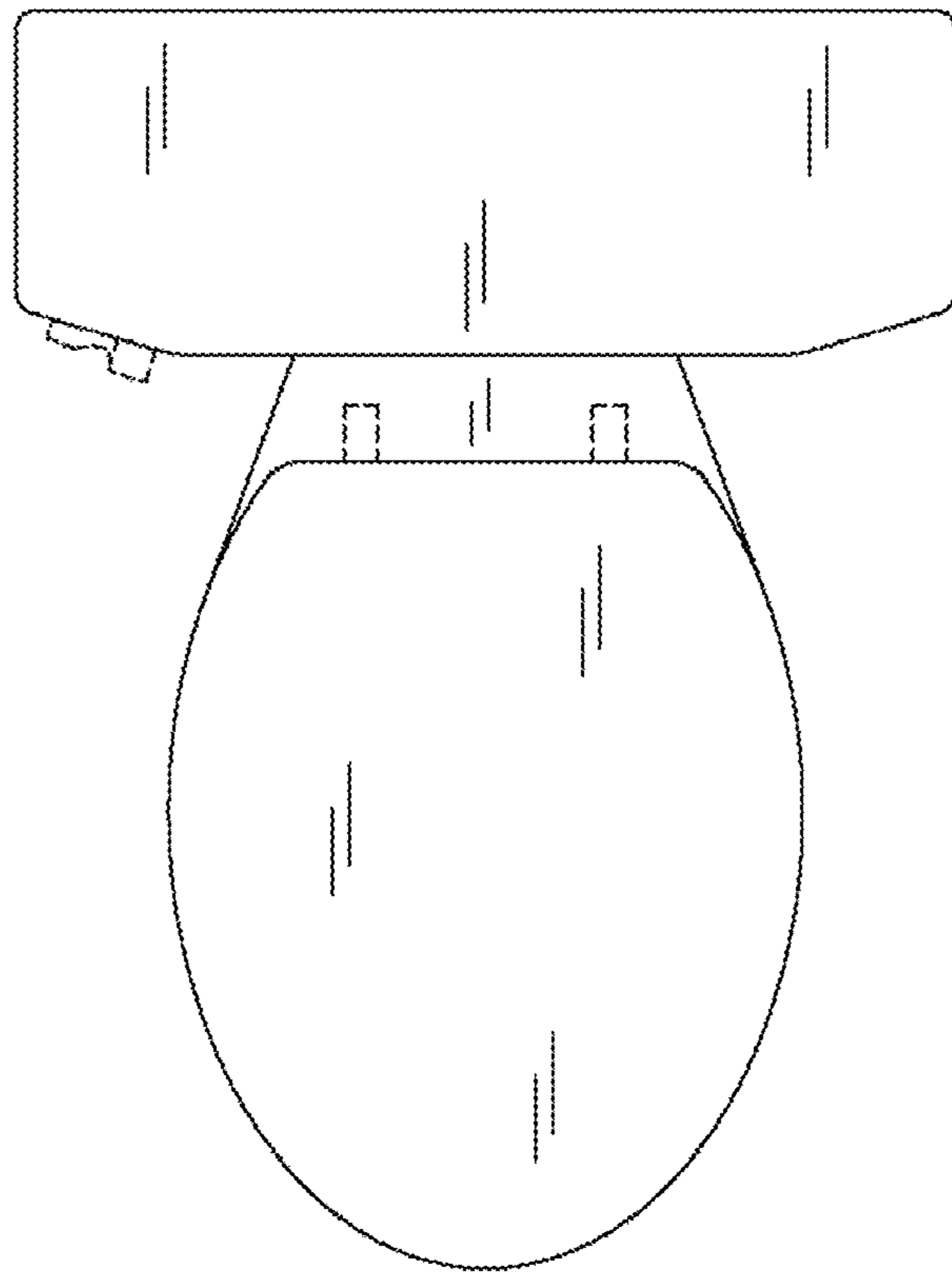


FIG. 5