

US00D835836S

(12) **United States Design Patent**
Furman

(10) **Patent No.:** **US D835,836 S**

(45) **Date of Patent:** **** Dec. 11, 2018**

(54) **LAMP ASSEMBLY**

(71) Applicant: **Betor Corporation**, Baltimore, MD (US)

(72) Inventor: **Ron Furman**, Baltimore, MD (US)

(73) Assignee: **Betor Corporation**, Baltimore, MD (US)

(**) Term: **15 Years**

(21) Appl. No.: **29/596,190**

(22) Filed: **Mar. 6, 2017**

(51) **LOC (11) Cl.** **26-99**

(52) **U.S. Cl.**

USPC **D26/128**; D26/137

(58) **Field of Classification Search**

USPC D26/51, 63, 76, 78, 79, 80, 81, 82, 83, D26/85, 86, 87, 88, 90, 93, 94, 105, 113, D26/118, 119, 120, 121, 122, 128, 138, D26/139, 140, 141, 142

CPC F21S 2/00; F21S 6/00; F21S 4/00; F21S 4/003; F21S 4/005; F21S 4/006; F21S 4/007; F21S 4/008; F21S 8/00; F21S 8/024; F21S 8/026; F21S 8/031; F21S 8/033; F21S 8/035-8/037; F21S 8/04; F21S 8/043; F21S 8/063

See application file for complete search history.

(56) **References Cited**

U.S. PATENT DOCUMENTS

D487,815 S * 3/2004 Hoernig D26/87
D563,024 S * 2/2008 Hetfield D26/72
D583,975 S * 12/2008 Kushinskaya D26/63

D596,342 S * 7/2009 Sabernig D26/105
D632,826 S * 2/2011 Sabernig D26/93
D655,440 S * 3/2012 Sabernig D26/137
D683,494 S * 5/2013 Verdin D26/137
D790,120 S * 6/2017 Sonneman D26/128
D792,013 S * 7/2017 McHugh D26/94
D806,296 S * 12/2017 Mathers D26/51

* cited by examiner

Primary Examiner — Brian N. Vinson

(74) *Attorney, Agent, or Firm* — Brownstein Hyatt Farber Schreck, LLP

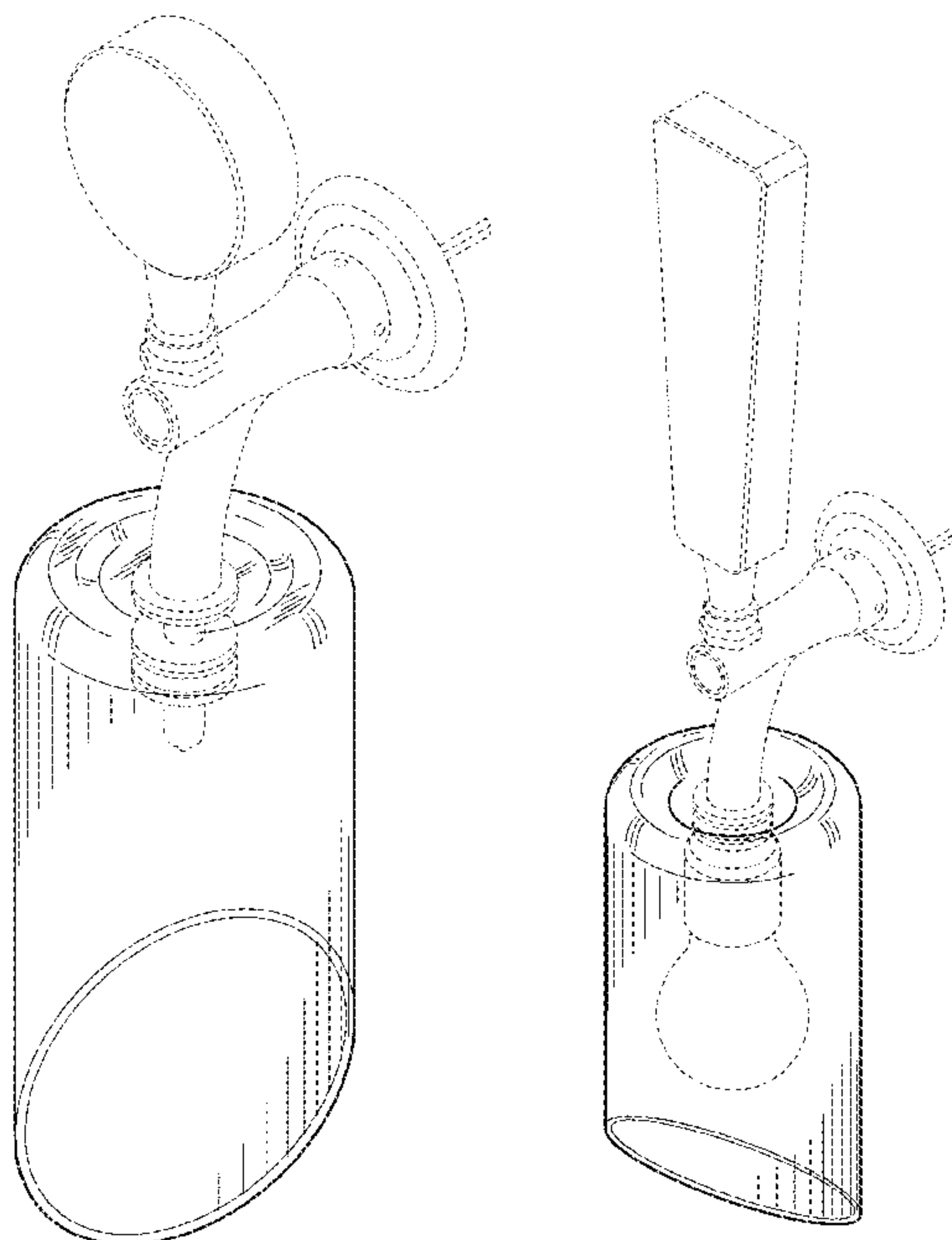
(57) **CLAIM**

I claim the ornamental design for a lamp assembly, as shown and described.

DESCRIPTION

FIG. 1 is an upper-perspective view of an embodiment of a lamp assembly for use with a beer-tap light fixture; FIG. 2 is a front view of the lamp assembly of FIG. 1; FIG. 3 is a rear view of the lamp assembly of FIG. 1; FIG. 4 is a side view of the lamp assembly of FIG. 1; FIG. 5 is a side view of the lamp assembly of FIG. 1; FIG. 6 is a top view of the lamp assembly of FIG. 1; FIG. 7 is a bottom view of the lamp assembly of FIG. 1; FIG. 8 is an upper-perspective view of another embodiment of a lamp assembly for use with a beer-tap light fixture; FIG. 9 is a front view of the lamp assembly of FIG. 8; FIG. 10 is a rear view of the lamp assembly of FIG. 8; FIG. 11 is a side view of the lamp assembly of FIG. 8; FIG. 12 is a side view of the lamp assembly of FIG. 8; FIG. 13 is a top view of the lamp assembly of FIG. 8; and, FIG. 14 is a bottom view of the lamp assembly of FIG. 8. The broken line disclosure represents portions of the lamp assembly which forms no part of the claimed design.

1 Claim, 12 Drawing Sheets



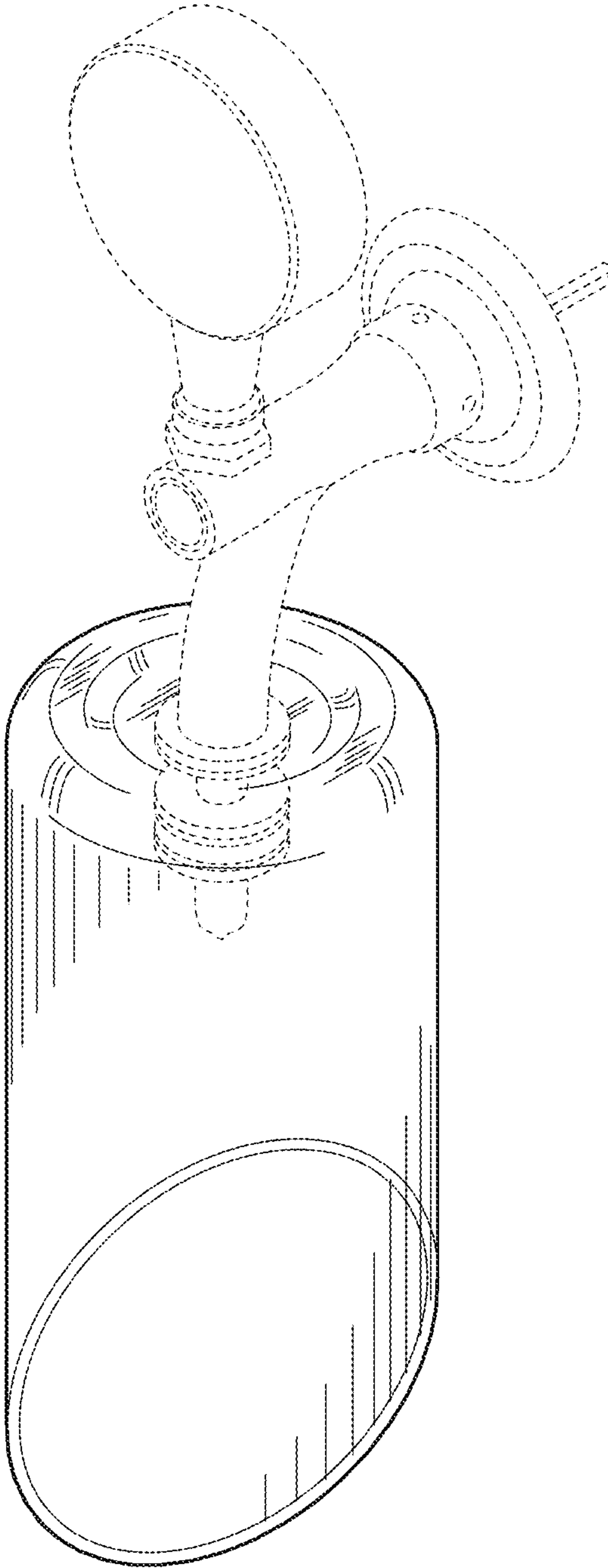


FIG. 1

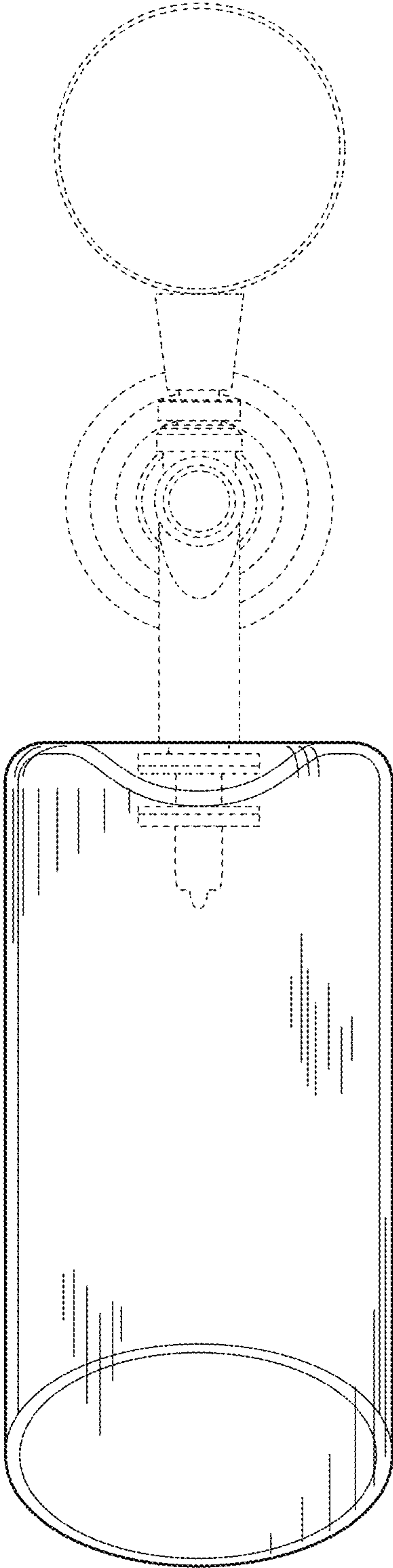


FIG. 2

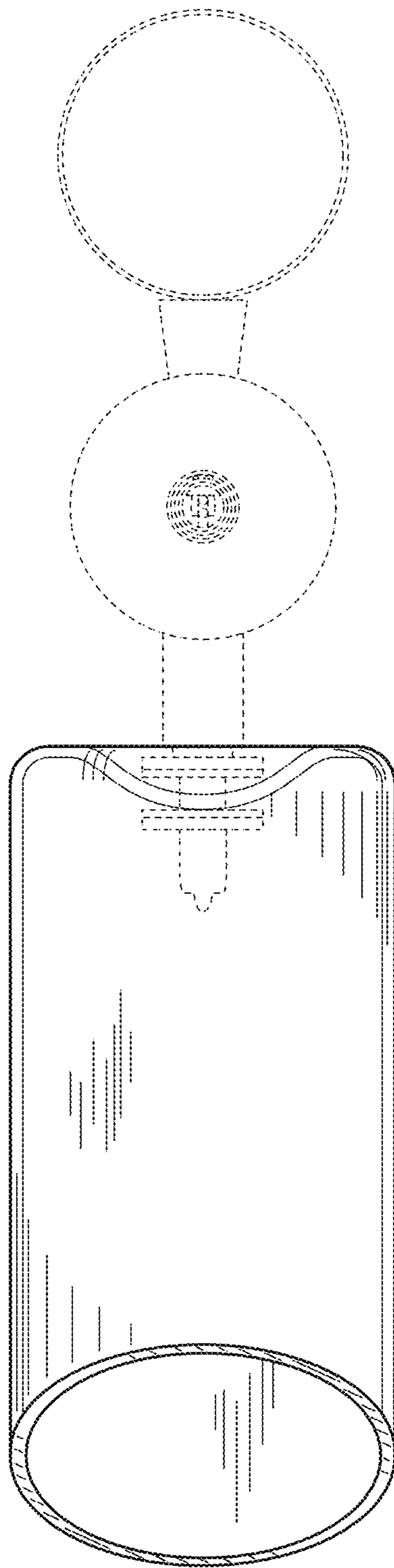


FIG. 3

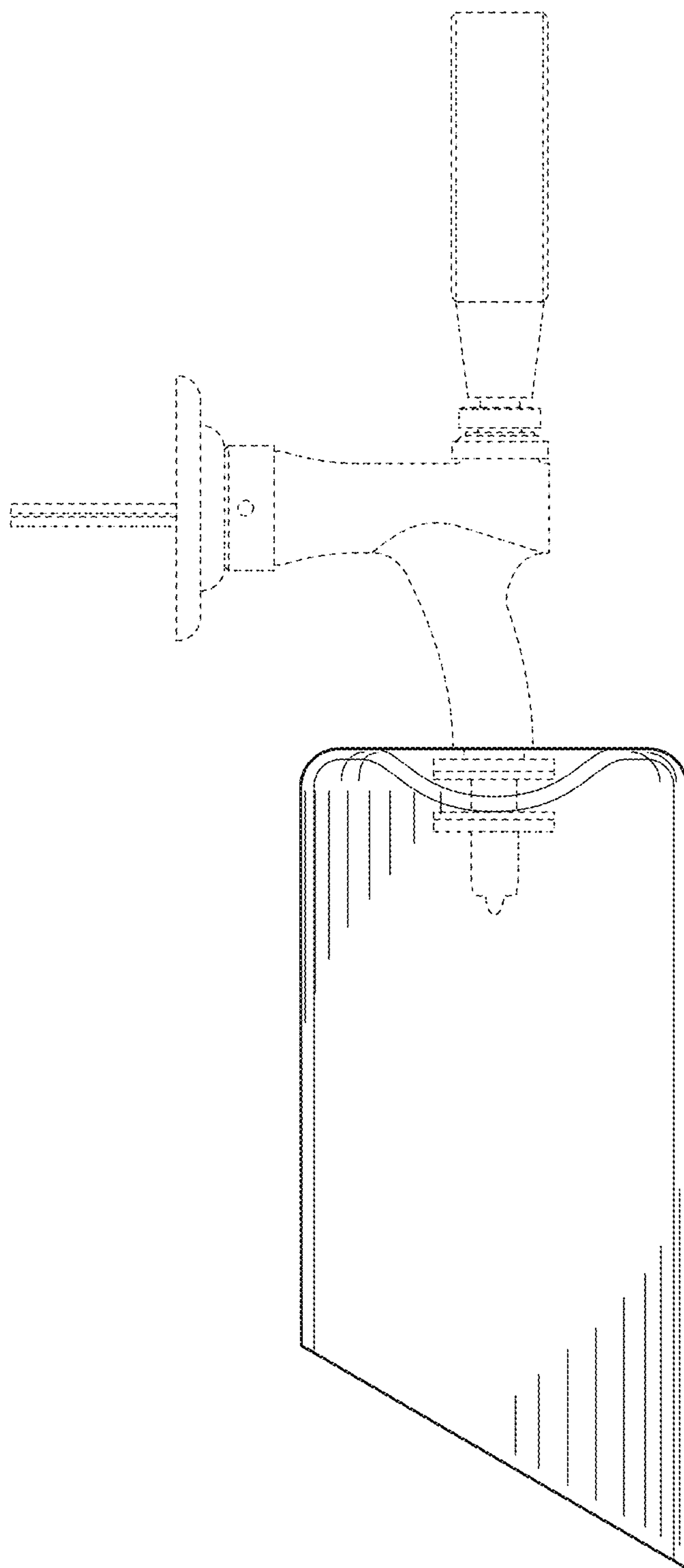


FIG. 4

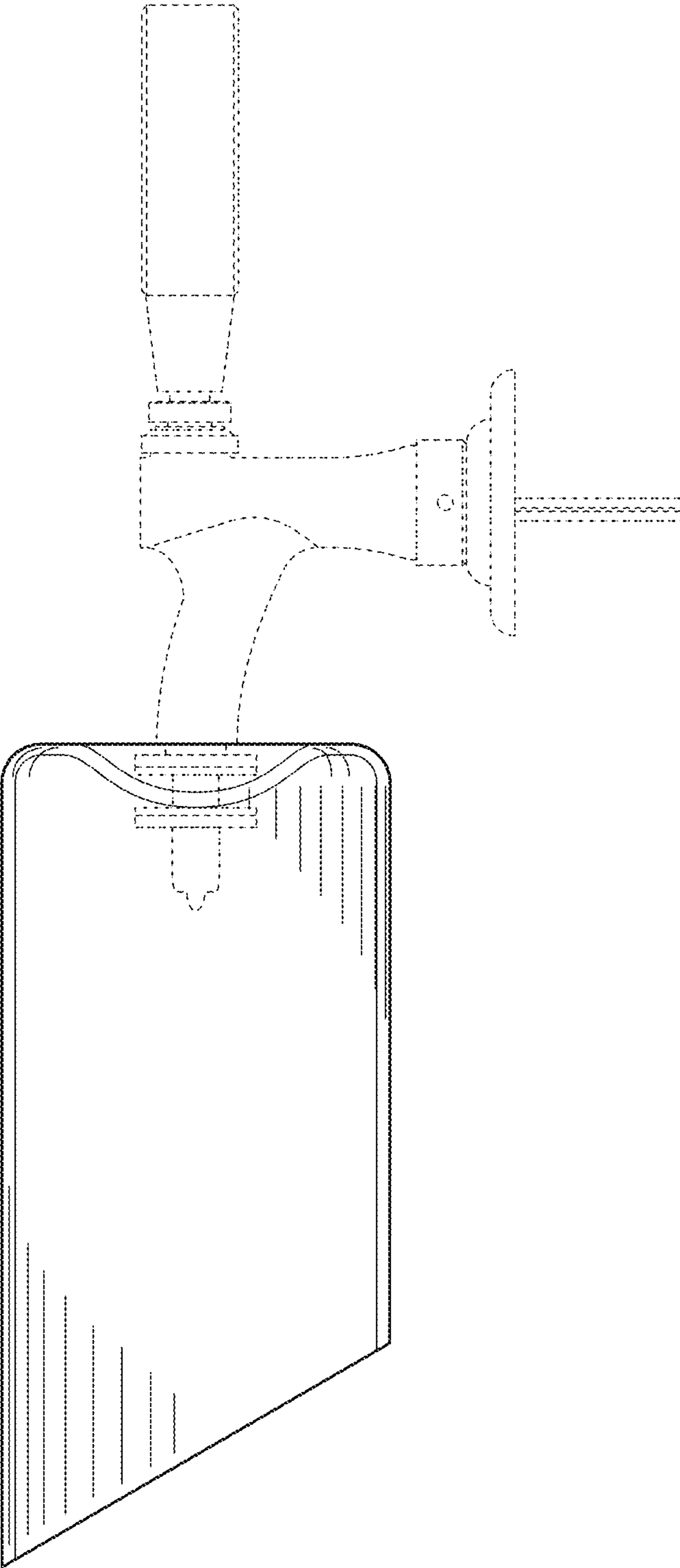


FIG. 5

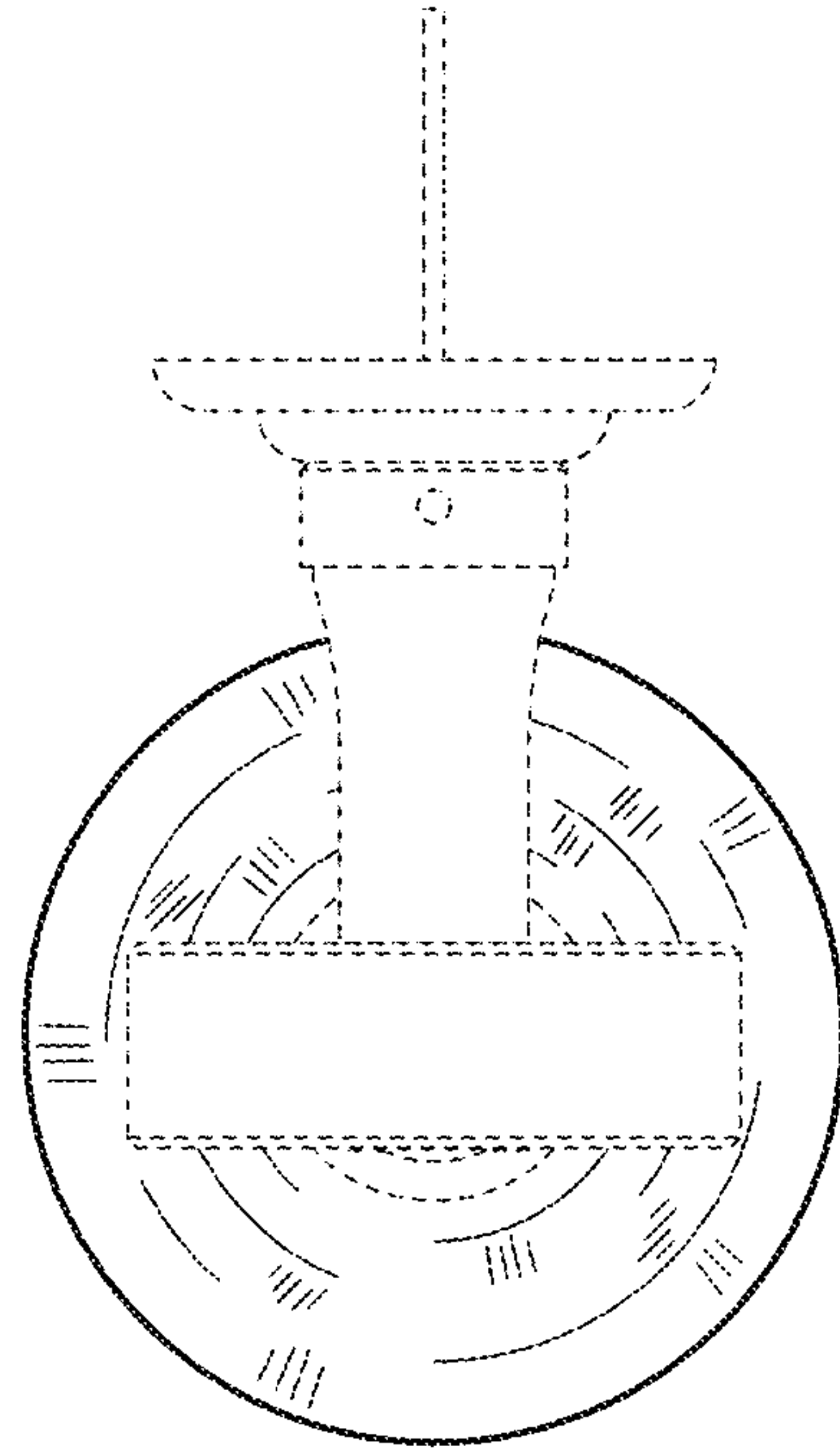


FIG. 6

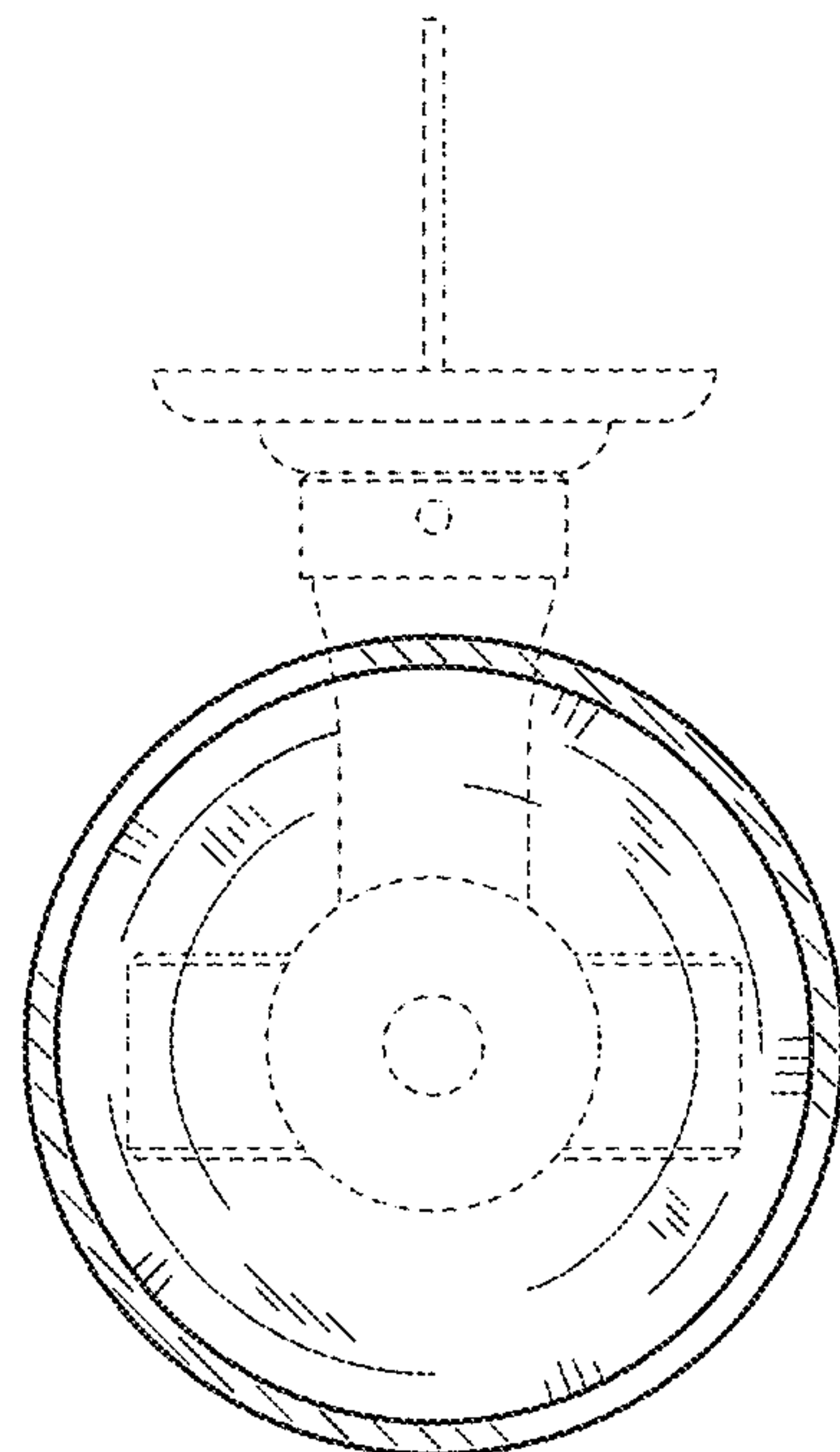


FIG. 7

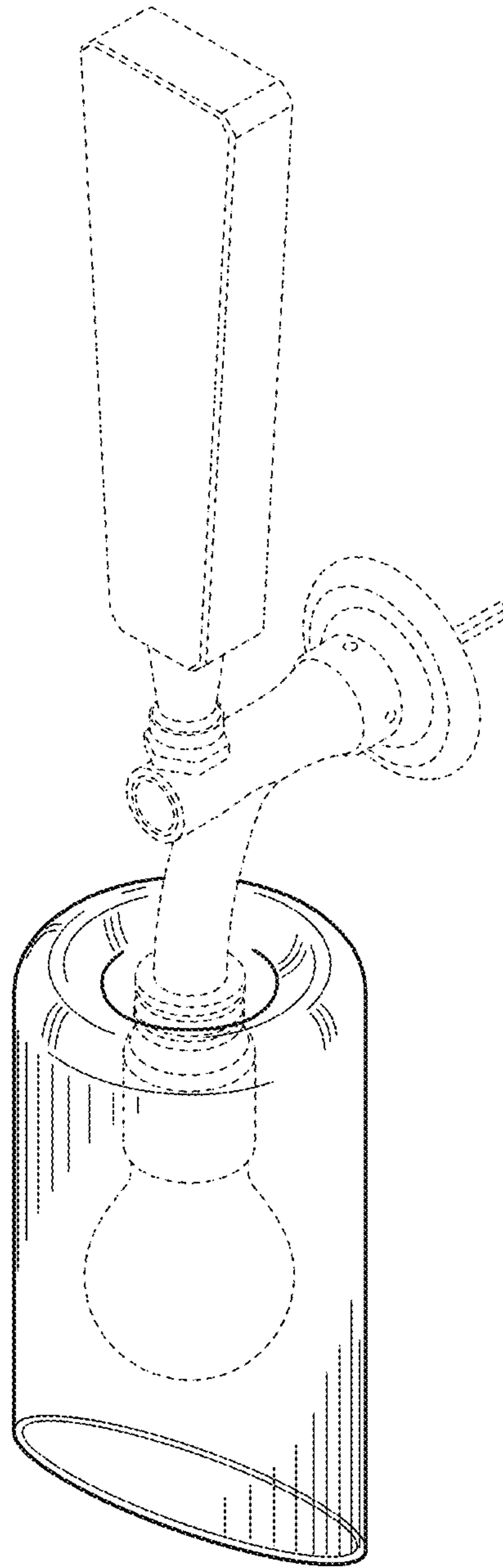


FIG. 8

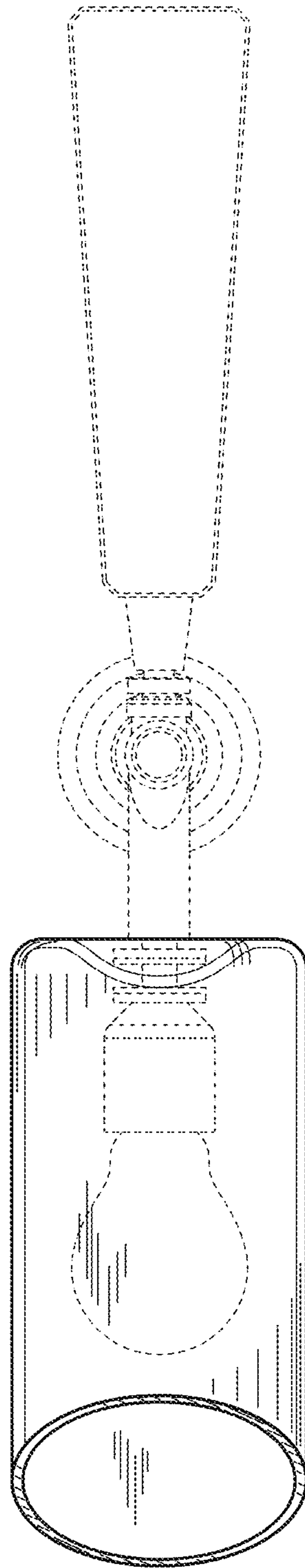


FIG. 9

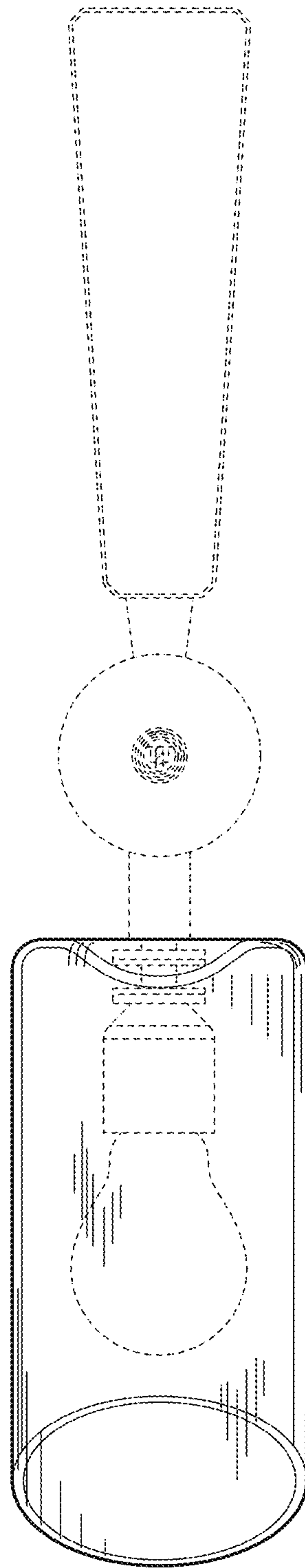


FIG. 10

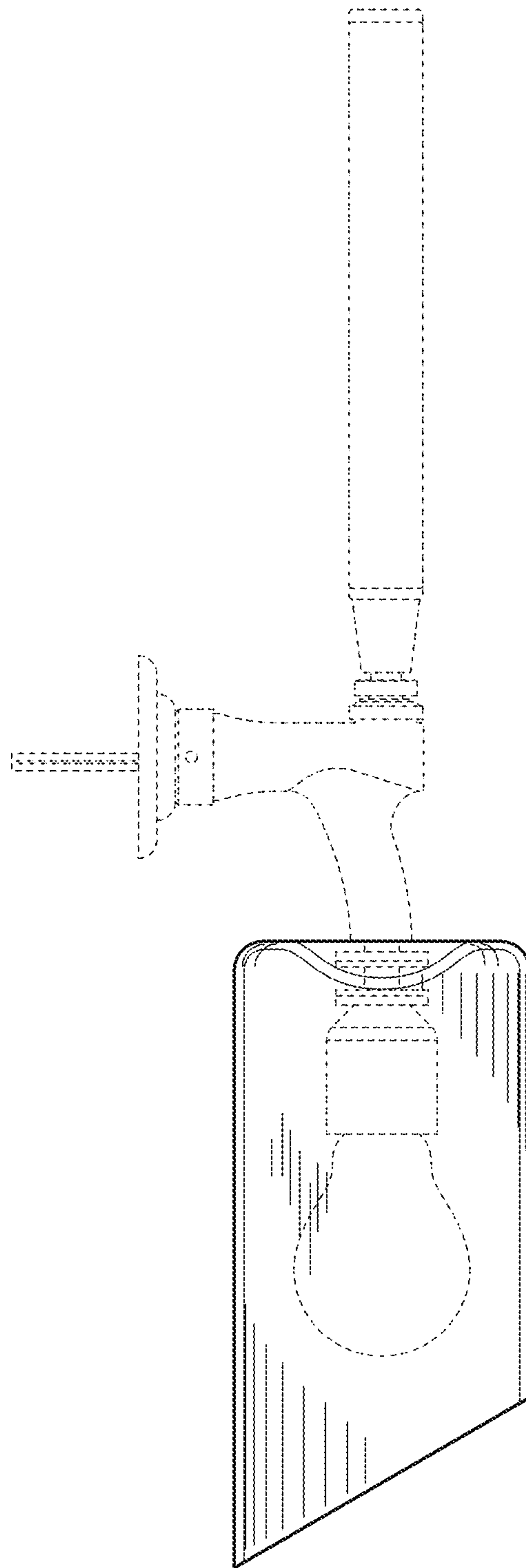


FIG. 11

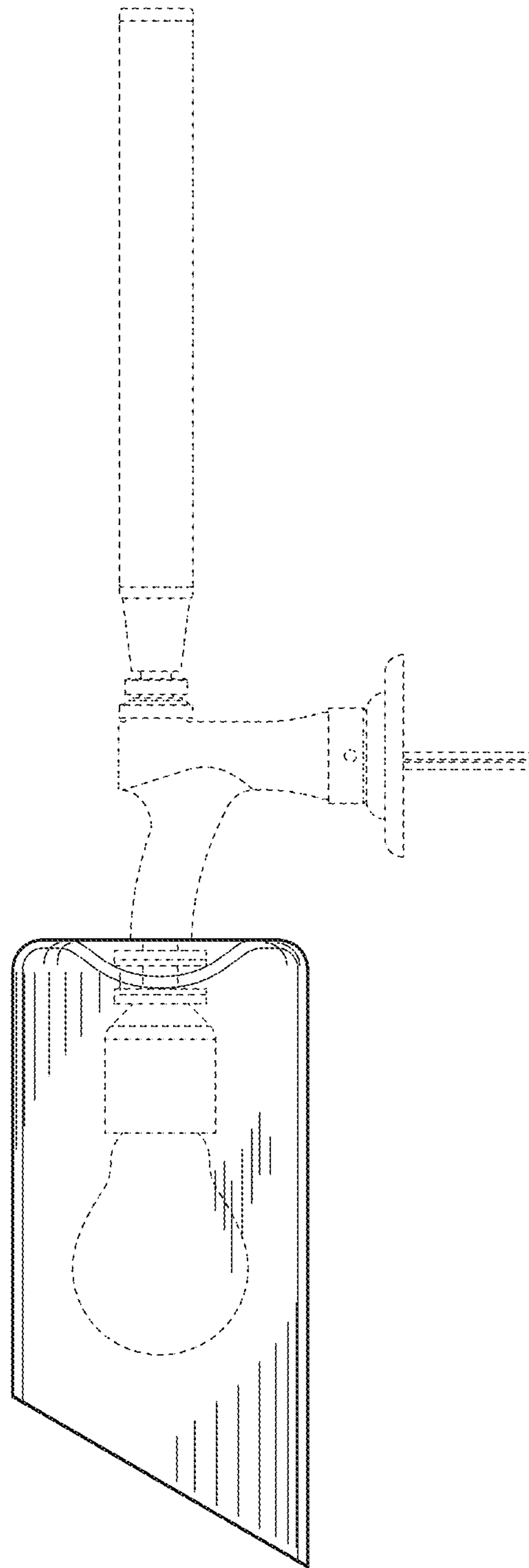


FIG. 12

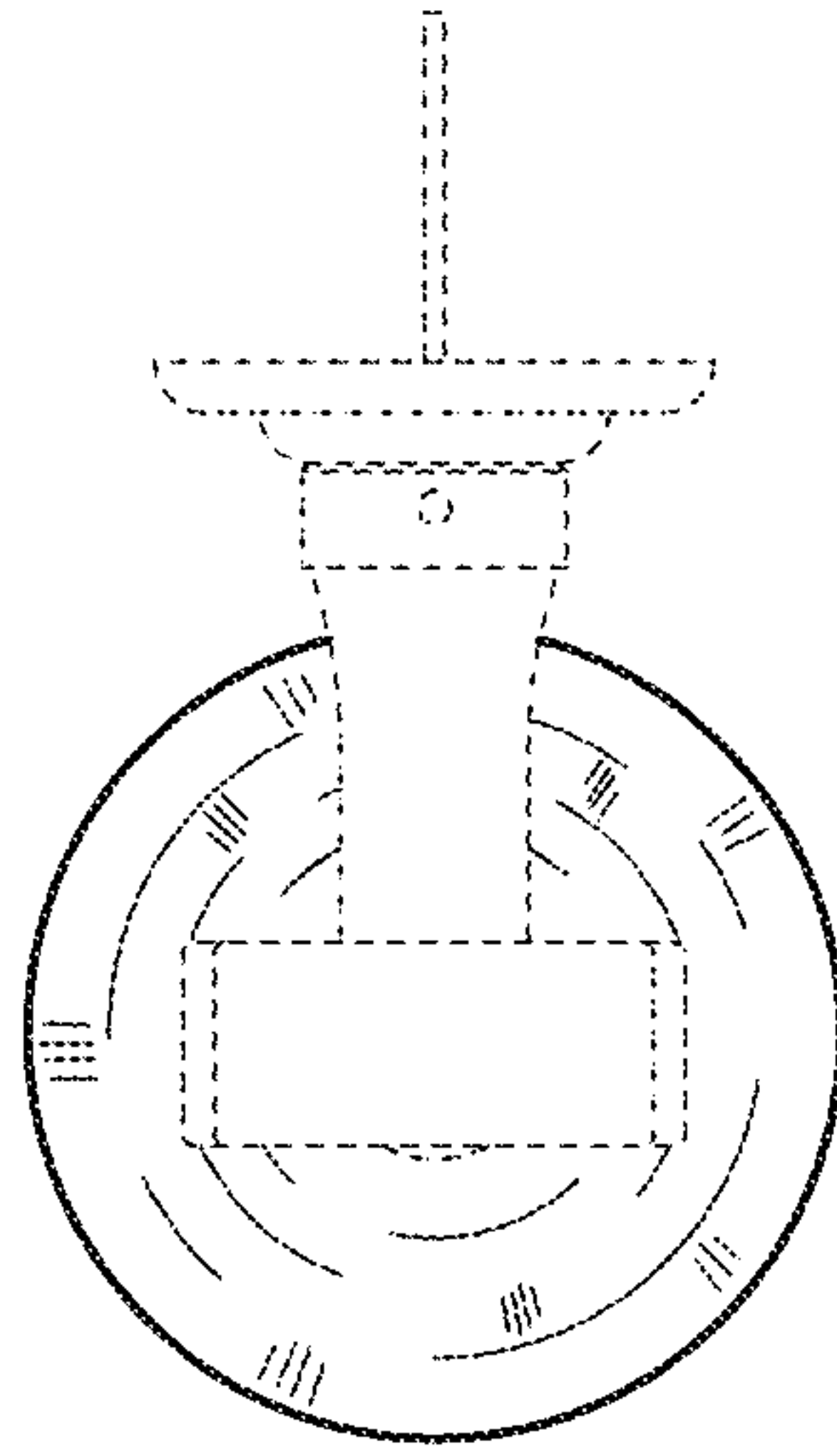


FIG. 13

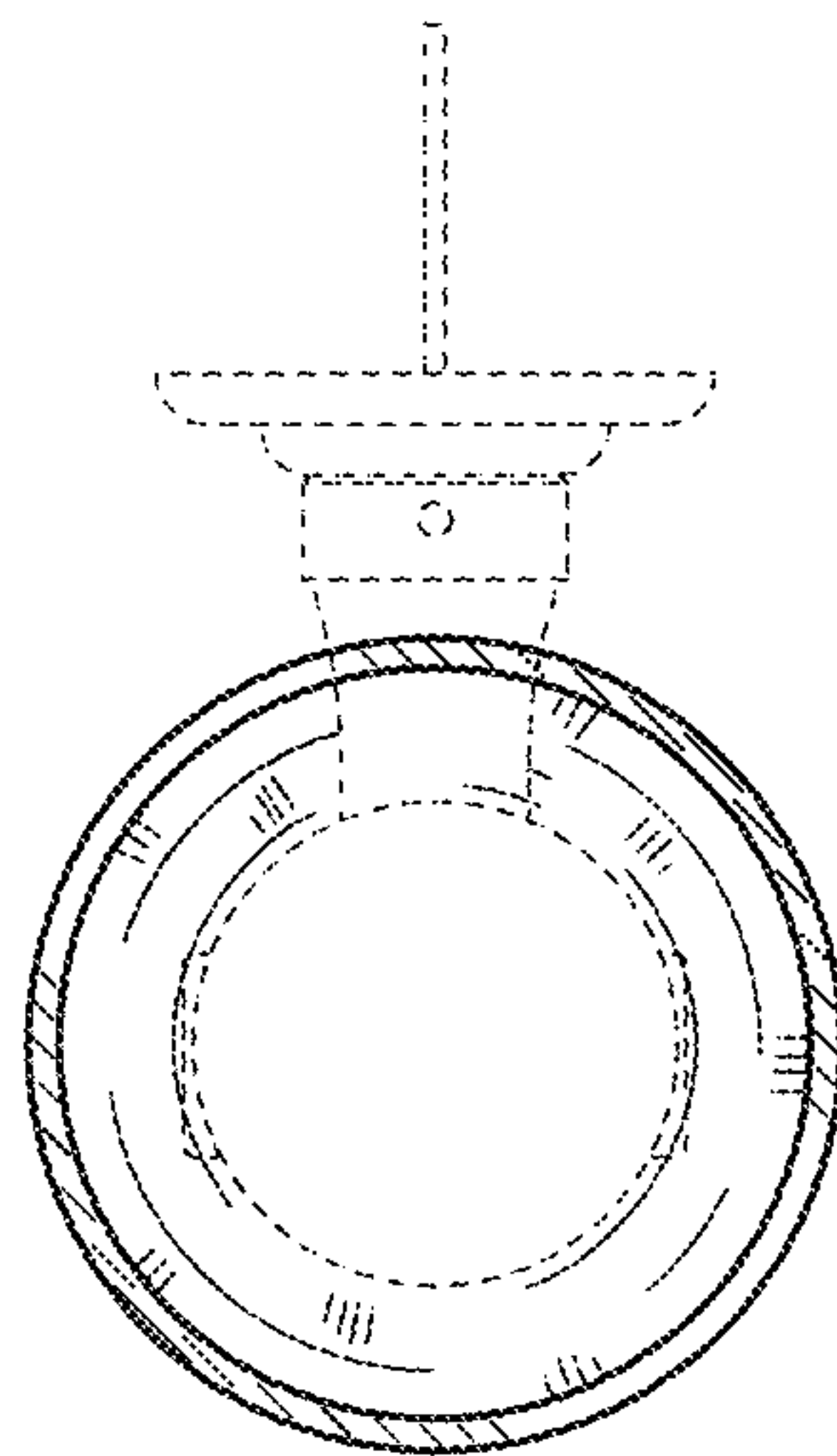


FIG. 14