



US00D835835S

(12) **United States Design Patent** (10) **Patent No.:** **US D835,835 S**  
**Radl et al.** (45) **Date of Patent:** **\*\* Dec. 11, 2018**

(54) **FLEXIBLE OPTIC**

(71) Applicants: **Bruce Radl**, Stow, MA (US); **Douglas Harriott**, Melrose, MA (US); **Zhuo Wang**, Middleton, MA (US)

(72) Inventors: **Bruce Radl**, Stow, MA (US); **Douglas Harriott**, Melrose, MA (US); **Zhuo Wang**, Middleton, MA (US)

(73) Assignee: **OSRAM SYLVANIA Inc.**, Wilmington, MA (US)

(\*\*) Term: **15 Years**

(21) Appl. No.: **29/582,904**

(22) Filed: **Oct. 31, 2016**

**Related U.S. Application Data**

(62) Division of application No. 29/492,531, filed on May 30, 2014, now Pat. No. Des. 770,552.

(51) **LOC (11) Cl.** ..... **26-05**

(52) **U.S. Cl.**  
USPC ..... **D26/124**

(58) **Field of Classification Search**  
USPC ..... D13/180; D16/130, 134, 135, 136, 137;  
D26/24, 37, 60-66, 72, 74-88, 91, 92,  
D26/113, 118, 119, 120, 122, 123, 124,  
D26/139; 398/201  
CPC . F21V 14/00; F21V 14/04; F21V 5/00; F21V  
7/00; F21K 9/00  
See application file for complete search history.

(56) **References Cited**

**U.S. PATENT DOCUMENTS**

D137,085 S \* 1/1944 Cressaty ..... D26/124  
D539,944 S \* 4/2007 Egawa ..... D26/24  
D563,595 S \* 3/2008 Egawa ..... D26/122  
D592,347 S \* 5/2009 Trott ..... D26/118  
D602,627 S \* 10/2009 Lasthein ..... D26/76

D615,696 S \* 5/2010 Hecht ..... D26/122  
D618,572 S \* 6/2010 Shin ..... D10/114.1  
D625,881 S \* 10/2010 Chen ..... D26/124  
D631,184 S \* 1/2011 Feng ..... D16/134  
D645,594 S \* 9/2011 Grawe ..... D26/63

(Continued)

**FOREIGN PATENT DOCUMENTS**

CN 302791874 \* 4/2014  
KR 300694973.0000 \* 6/2013  
KR 300711515.0000 \* 10/2013

*Primary Examiner* — Susan Bennett Hattan

*Assistant Examiner* — Leanne Was-Englehart

(74) *Attorney, Agent, or Firm* — Shaun P. Montana

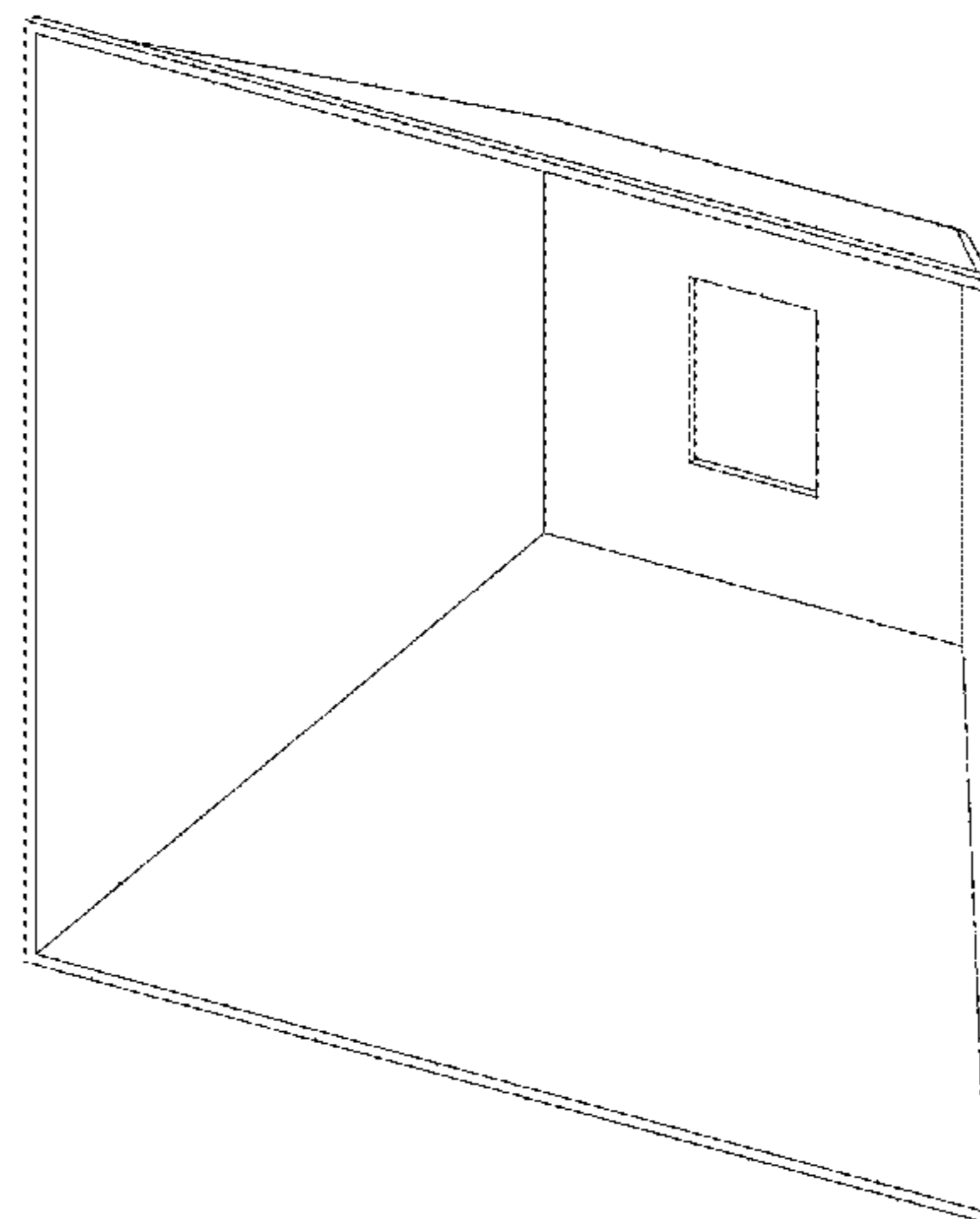
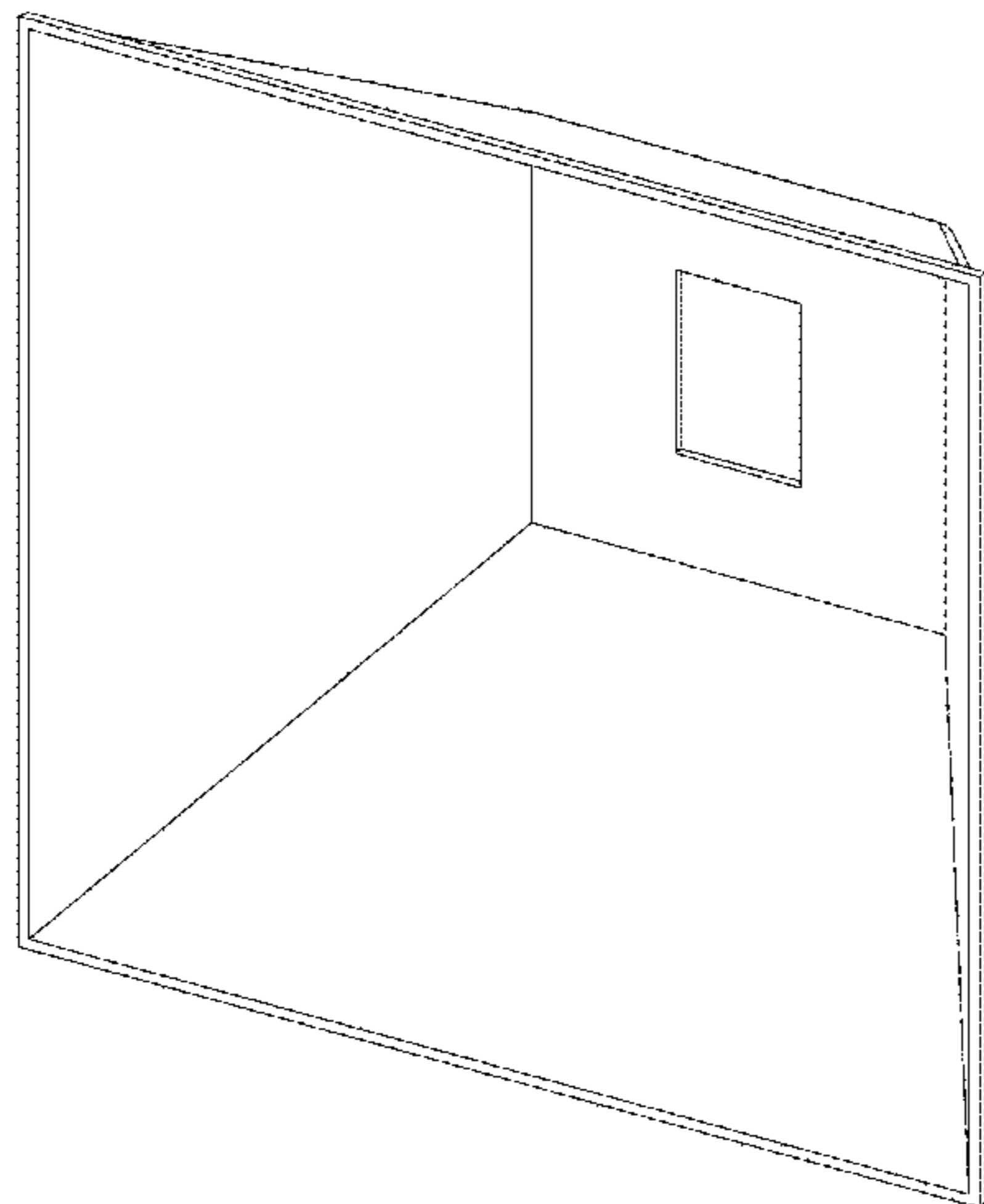
(57) **CLAIM**

The ornamental design for a flexible optic, as shown and described.

**DESCRIPTION**

FIG. 1 is a perspective view of an embodiment of the ornamental design for a flexible optic.  
FIG. 2 is a top view of the embodiment of the ornamental design for the flexible optic of FIG. 1.  
FIG. 3 is a side view of the embodiment of the ornamental design for the flexible optic of FIG. 1, the front, back, and opposite side views being identical.  
FIG. 4 is a bottom view of the embodiment of the ornamental design for the flexible optic of FIG. 1.  
FIG. 5 is a perspective view of another embodiment of the ornamental design for a flexible optic.  
FIG. 6 is a top view of the embodiment of the ornamental design for the flexible optic of FIG. 5; and,  
FIG. 7 is a bottom view of the embodiment of the ornamental design for the flexible optic of FIG. 5.  
The broken-line disclosure in the views is understood to represent portions of the article in which the claimed design is embodied, but which form no part of the claimed design.

**1 Claim, 7 Drawing Sheets**



(56)

References Cited

U.S. PATENT DOCUMENTS

8,068,288	B1 *	11/2011	Pitou	.....	G02B 3/08	359/743
8,267,553	B2 *	9/2012	Liang	.....	F21V 13/04	362/308
D668,808	S *	10/2012	Hoover	.....	D26/60	
D675,580	S *	2/2013	Edmond	.....	D13/180	
8,449,128	B2 *	5/2013	Ko	.....	G02B 19/0066	362/84
D687,179	S *	7/2013	Kim	.....	D26/118	
D689,649	S *	9/2013	Popper	.....	D26/124	
8,888,322	B2 *	11/2014	Alfier	.....	F21V 7/0083	362/238
D719,700	S *	12/2014	Chou	.....	D26/120	
8,944,642	B2 *	2/2015	Kuo	.....	F21V 5/04	362/308
8,974,078	B2 *	3/2015	Lin	.....	F21V 21/00	362/217.01
8,994,894	B2 *	3/2015	Yamazaki	.....	G02F 1/133605	349/113
D746,509	S *	12/2015	Yu	.....	D26/120	
D751,246	S *	3/2016	Yao	.....	D26/118	
D753,334	S *	4/2016	Wei	.....	D26/120	
D760,404	S *	6/2016	Radl	.....	D26/1	
D770,552	S *	11/2016	Radl	.....	D16/130	
D787,732	S *	5/2017	Parker	.....	D26/76	
2004/0042203	A1 *	3/2004	Ladstatter	.....	F21V 7/0016	362/147
2005/0201118	A1 *	9/2005	Godo	.....	F21V 5/04	362/555
2006/0203484	A1 *	9/2006	Yu	.....	G02F 1/133603	362/231
2007/0194237	A1 *	8/2007	Wagner	.....	G01J 5/00	250/332
2008/0211989	A1 *	9/2008	Park	.....	G02F 1/133603	349/64
2009/0086482	A1 *	4/2009	Wilm	.....	F21K 9/00	362/235
2010/0178046	A1 *	7/2010	Moon	.....	F21L 4/02	396/155
2011/0019426	A1 *	1/2011	Kuiseko	.....	G02B 5/045	362/354
2011/0110097	A1 *	5/2011	Fu	.....	F21V 5/04	362/296.01
2013/0094222	A1 *	4/2013	Alfier	.....	F21V 7/0083	362/350
2013/0155673	A1 *	6/2013	Wang	.....	F21V 29/83	362/235
2014/0168963	A1 *	6/2014	Stone	.....	F21S 8/08	362/231
2015/0192257	A1 *	7/2015	Javadian	.....	F21V 7/06	362/555
2015/0330599	A1 *	11/2015	Wang	.....	F21K 9/60	362/235
2016/0084446	A1 *	3/2016	Speer	.....	H05K 1/00	362/223
2017/0031080	A1 *	2/2017	Speer	.....	G02B 6/0036	
2017/0114983	A1 *	4/2017	Wang	.....	F21V 5/002	
2017/0122533	A1 *	5/2017	Wang	.....	F21V 19/02	

\* cited by examiner

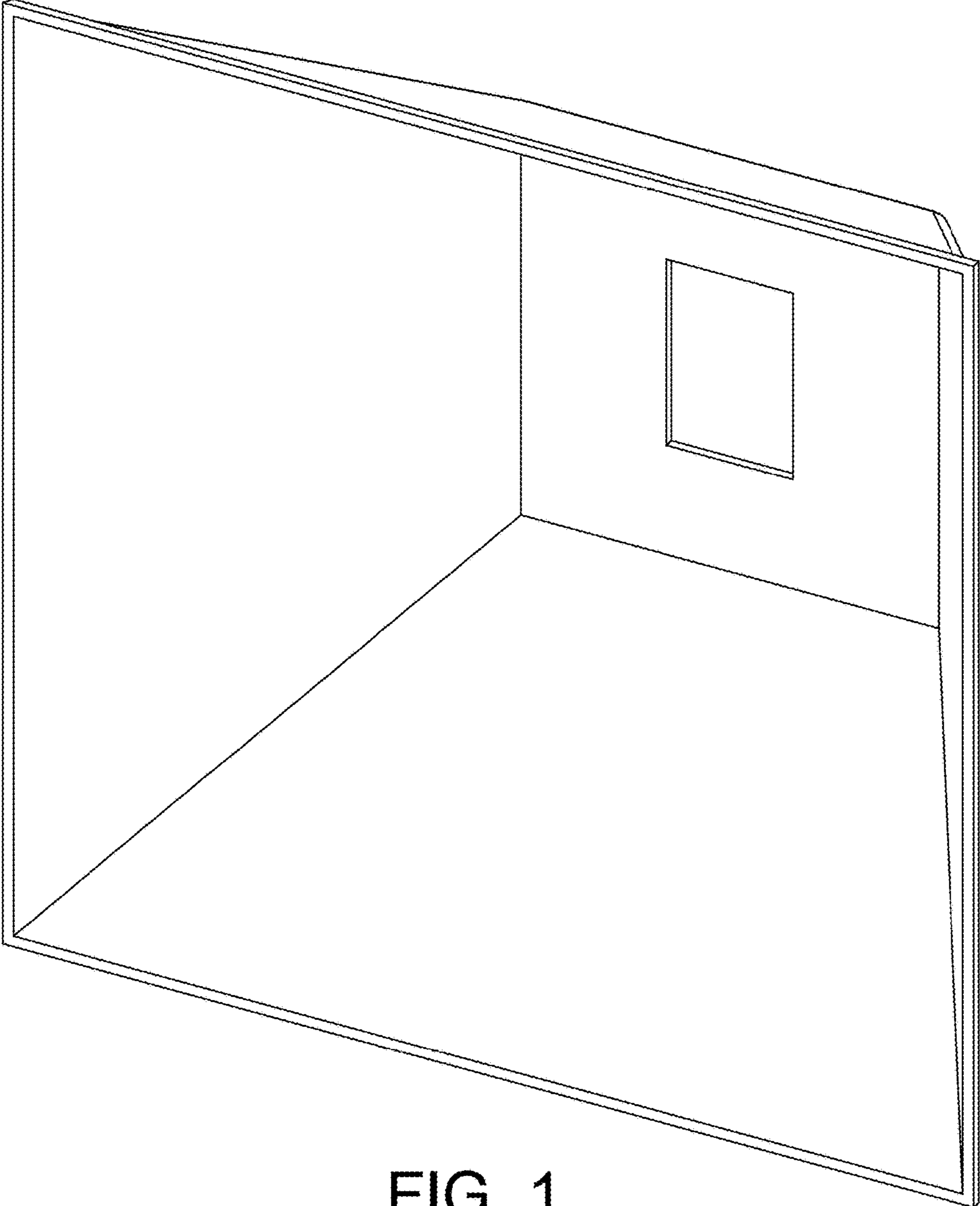


FIG. 1

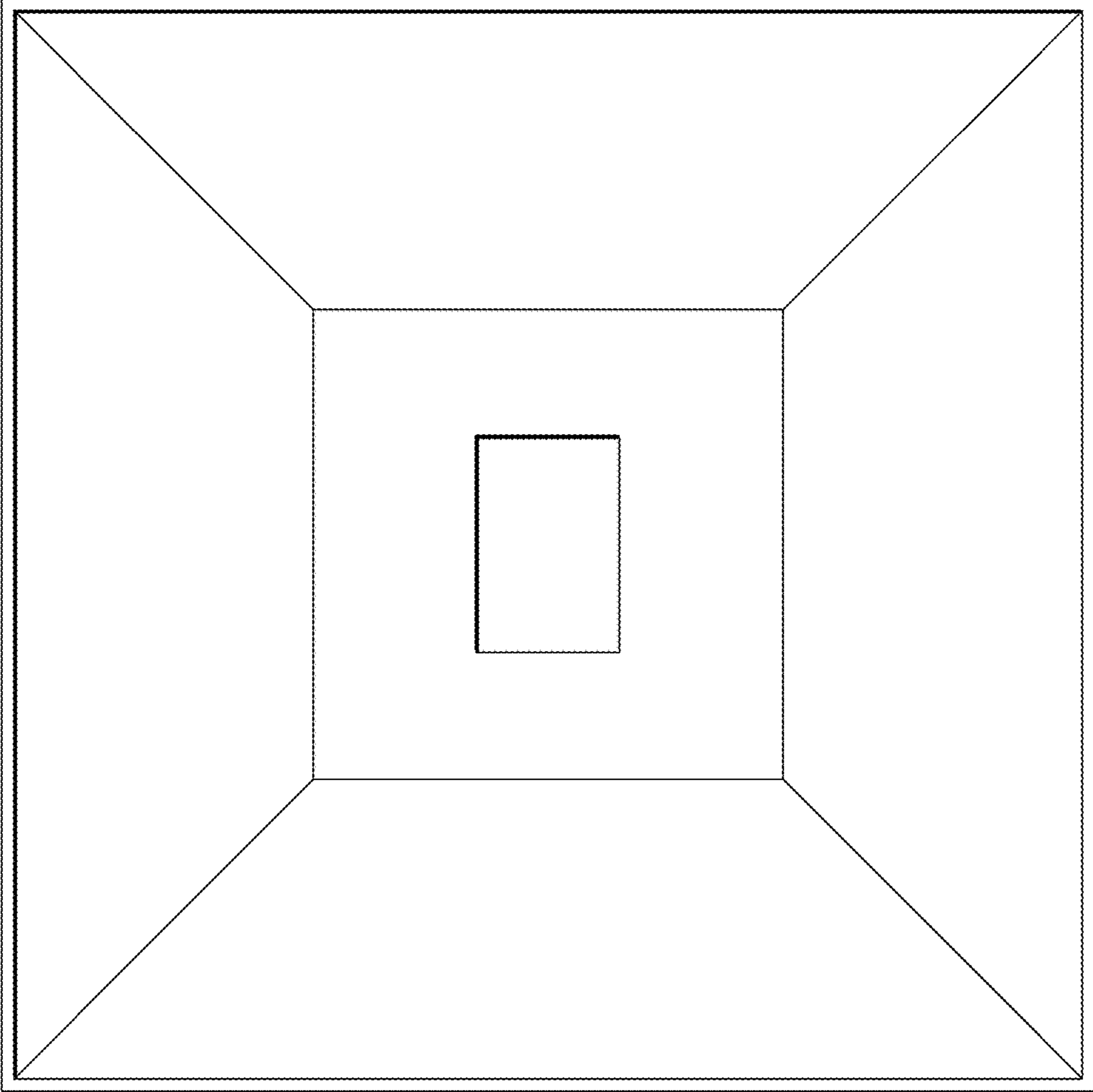


FIG. 2

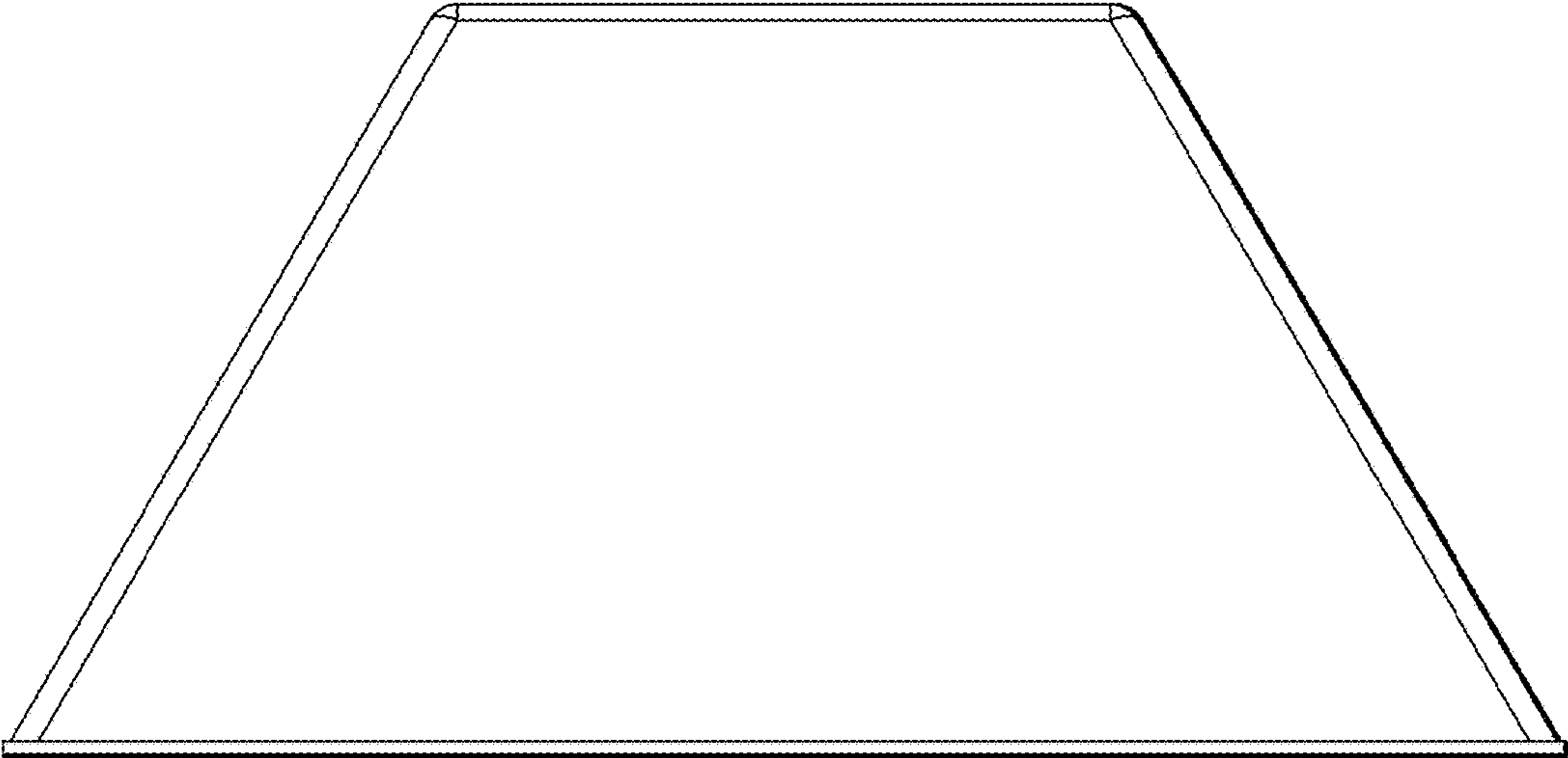


FIG. 3



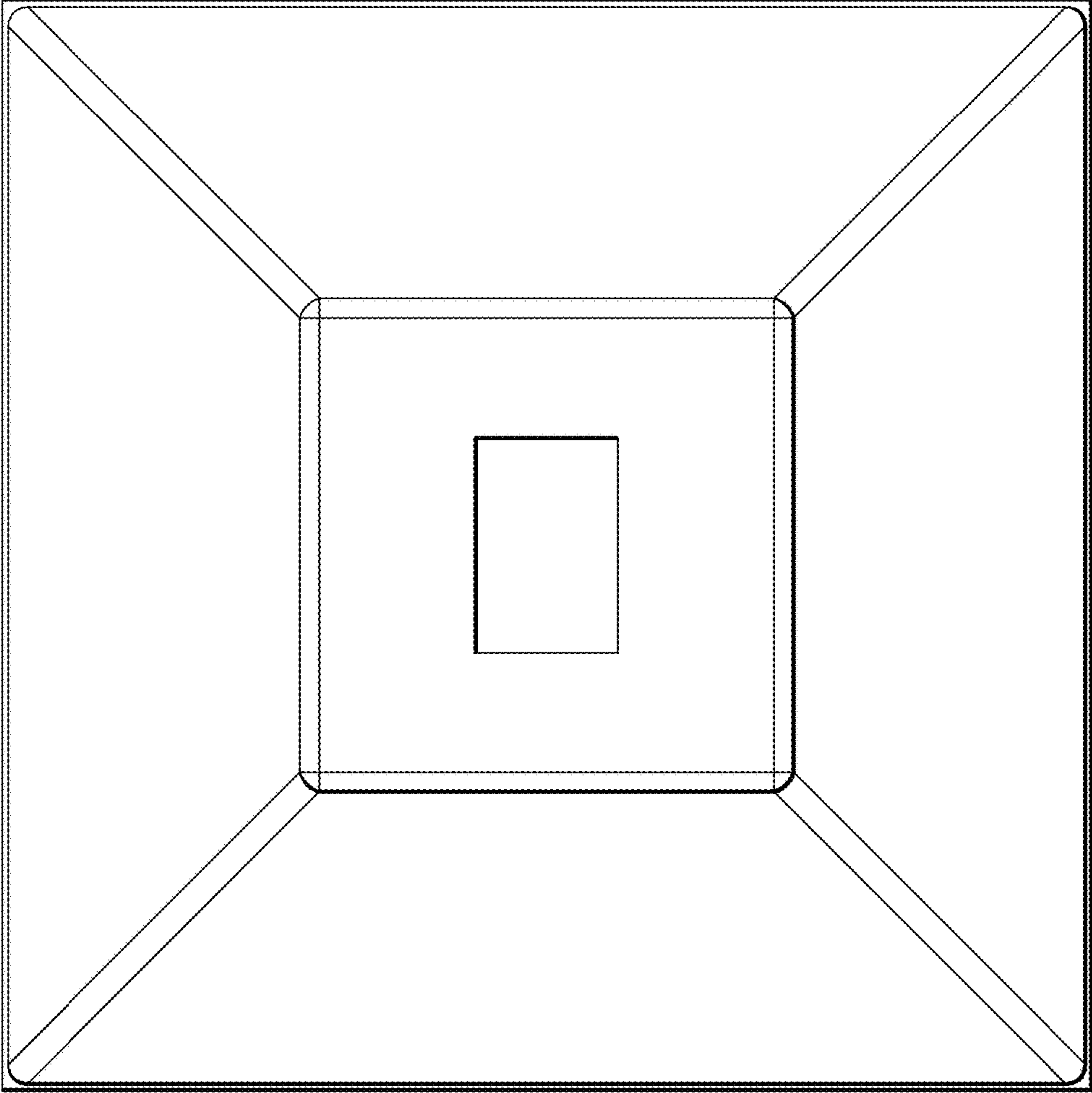


FIG. 4

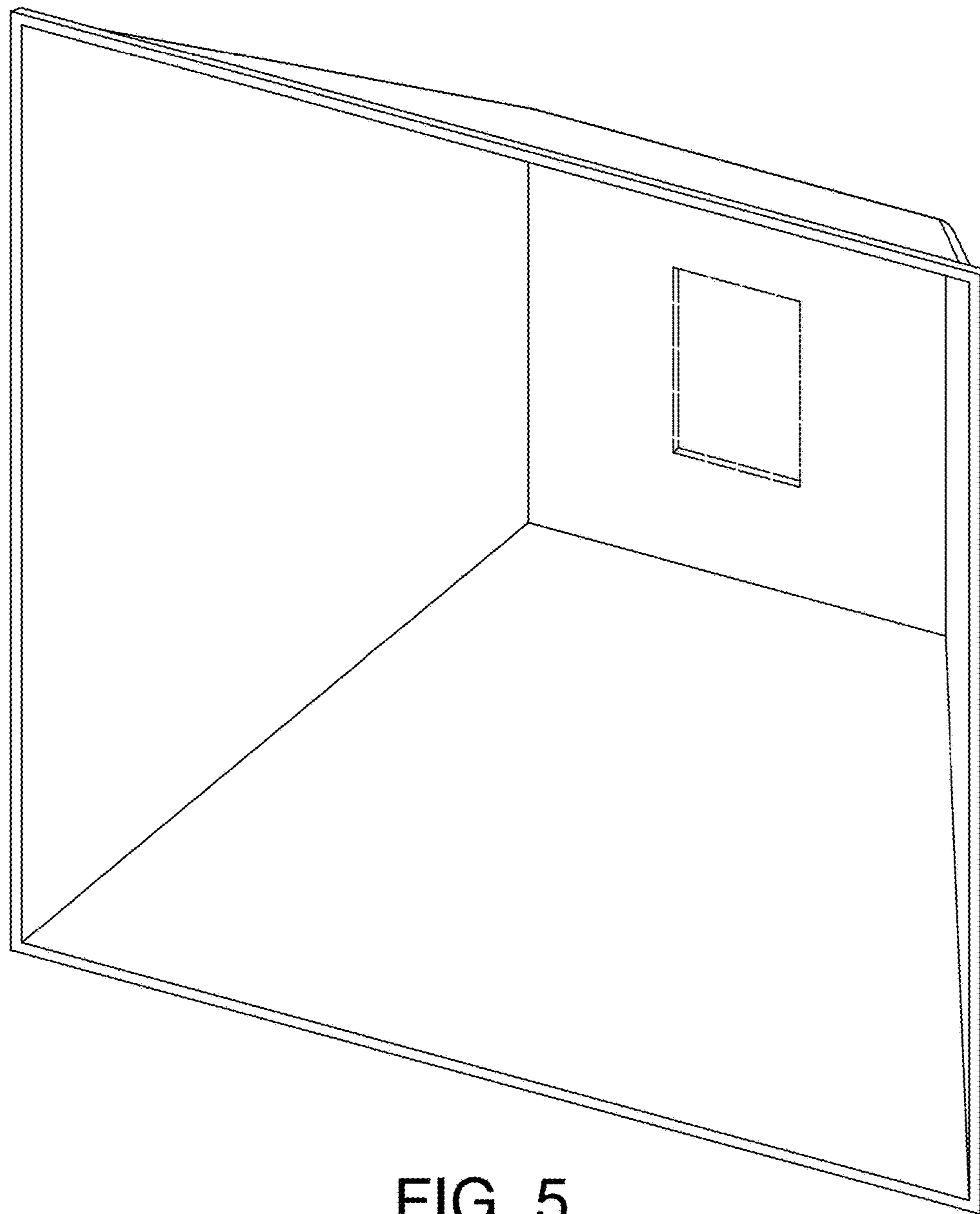


FIG. 5

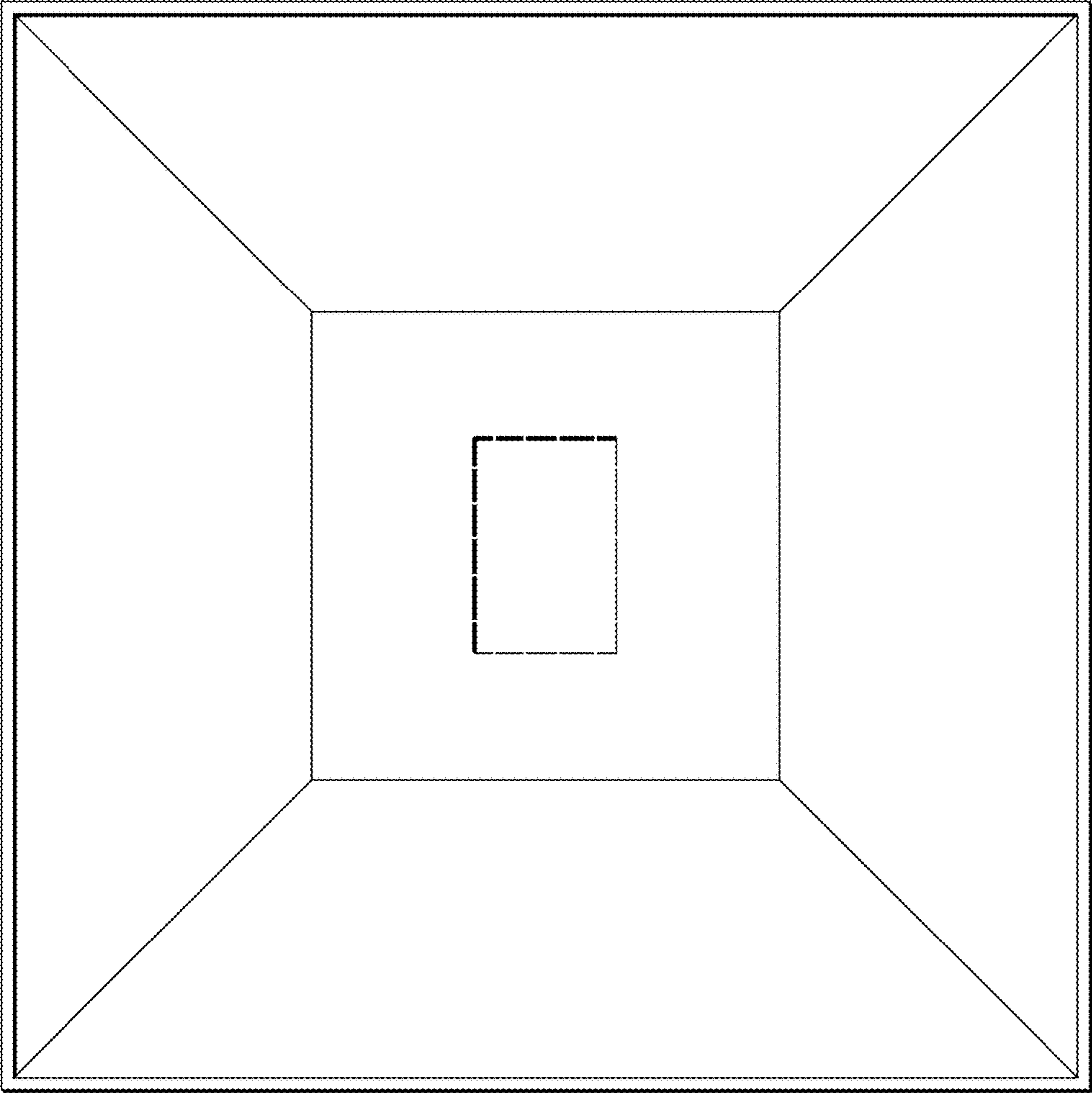


FIG. 6



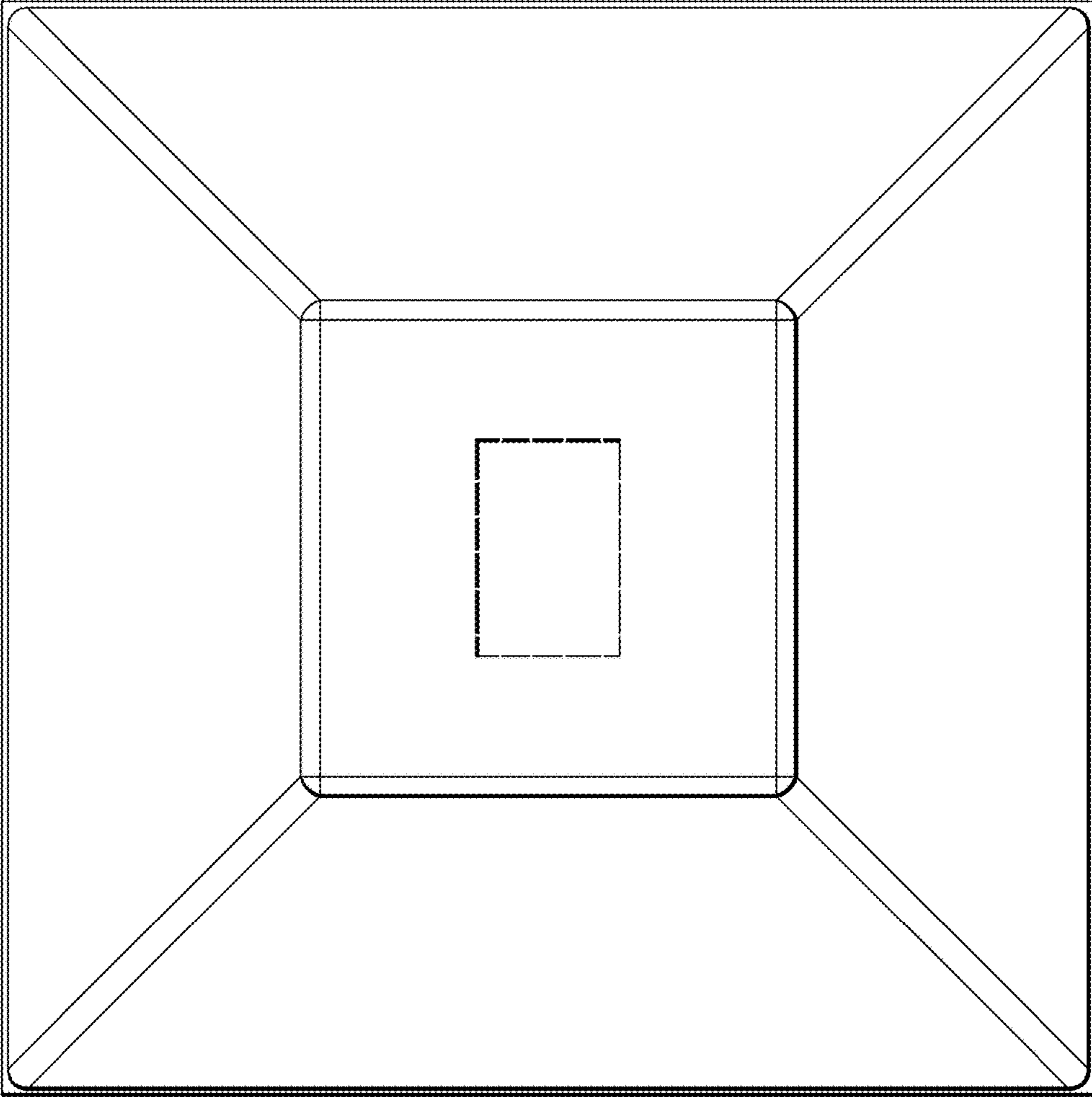


FIG. 7