



US00D835832S

(12) **United States Design Patent** (10) **Patent No.:** **US D835,832 S**
Luo (45) **Date of Patent:** **** Dec. 11, 2018**

(54) **TOP LEVITATING LIGHT BULB**
(71) Applicant: **Shenzhen Gleagle Technology Co., Ltd.**, Shenzhen (CN)

D803,468 S * 11/2017 Pomputius D26/107
D818,630 S * 5/2018 Zhou D26/107
D823,527 S * 7/2018 Sonneman D26/107

(72) Inventor: **Xiang Luo**, Chunhua (CN)
(73) Assignee: **Shenzhen Gleagle Technology Co., Ltd.**, Shenzhen (CN)

* cited by examiner

Primary Examiner — Brian N. Vinson
(74) *Attorney, Agent, or Firm* — JiangIP LLC; Yanling Jiang

(**) Term: **15 Years**

(21) Appl. No.: **29/617,818**

(22) Filed: **Sep. 15, 2017**

(51) **LOC (11) Cl.** **26-03**

(52) **U.S. Cl.**
USPC **D26/107**

(58) **Field of Classification Search**
USPC D26/2, 72, 76, 77, 78, 80, 85, 89, 102,
D26/104, 107, 142, 121, 118, 110, 93;
D11/90
CPC F21S 8/03; F21S 8/031; F21S 8/033; F21S
8/036; F21S 9/03; F21S 9/037; F21V
21/025; F21V 17/08; F21V 17/10
See application file for complete search history.

(57) **CLAIM**

The ornamental design for a top levitating light bulb, as shown and described.

DESCRIPTION

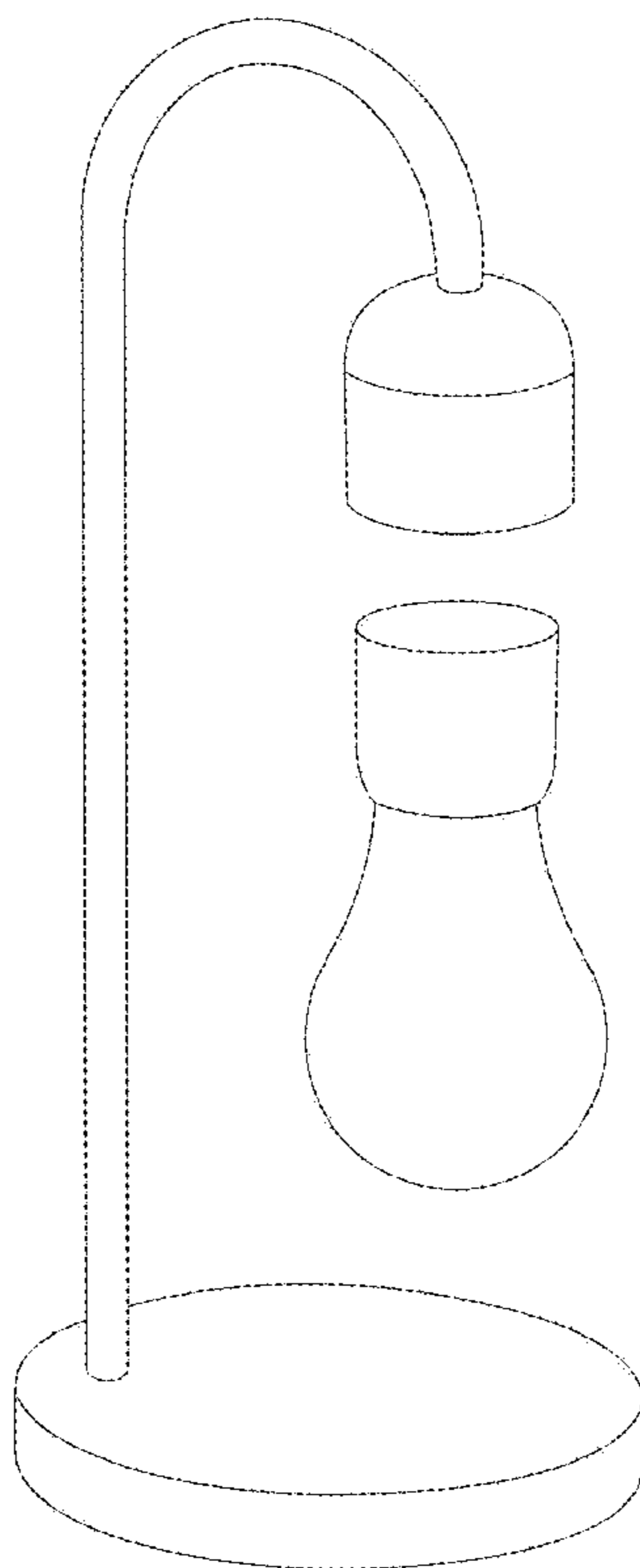
FIG. 1 is a perspective view showing a top levitating light bulb.
FIG. 2 is a front view of a top levitating light bulb.
FIG. 3 is a rear view of a top levitating light bulb.
FIG. 4 is a top view of a top levitating light bulb.
FIG. 5 is a bottom view of a top levitating light bulb.
FIG. 6 is a side view of a top levitating light bulb; and,
FIG. 7 is a side view of a top levitating light bulb.

(56) **References Cited**

U.S. PATENT DOCUMENTS

D776,336 S * 1/2017 Ng D26/107
D799,100 S * 10/2017 Morris D26/110

1 Claim, 7 Drawing Sheets



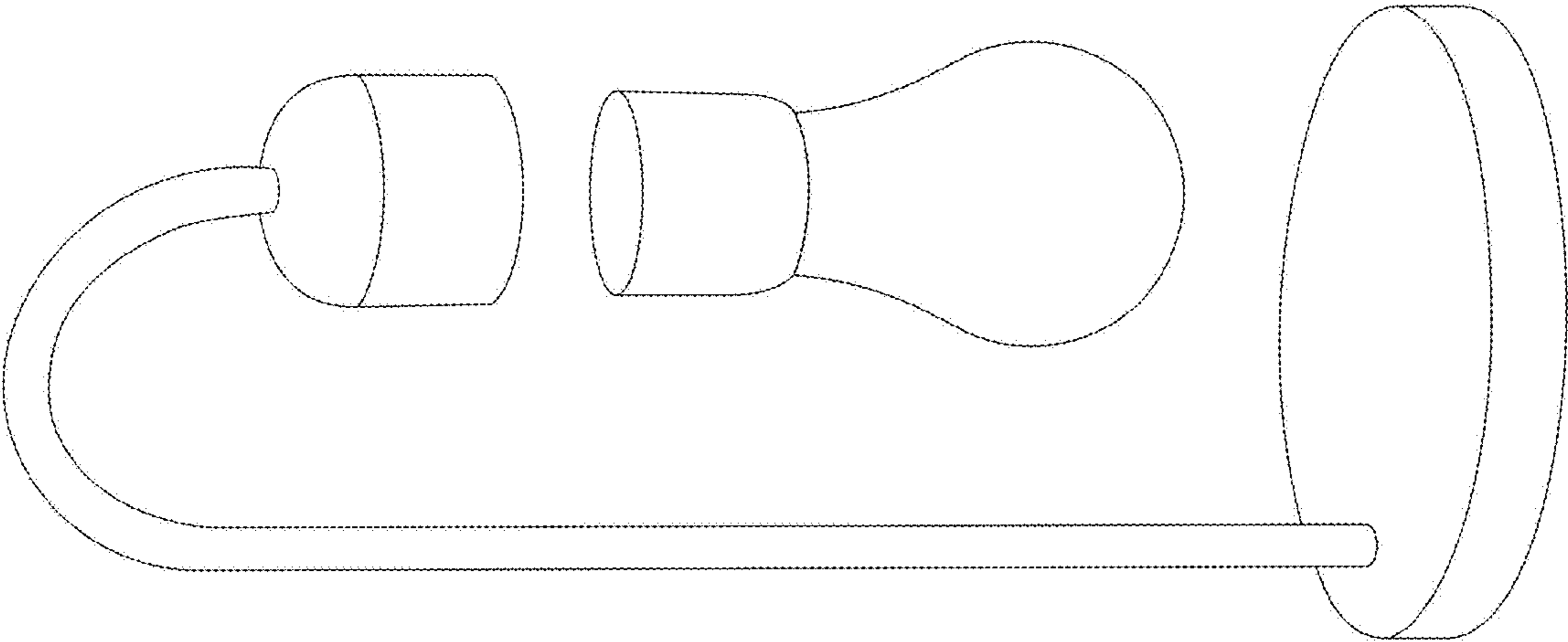


Fig. 1

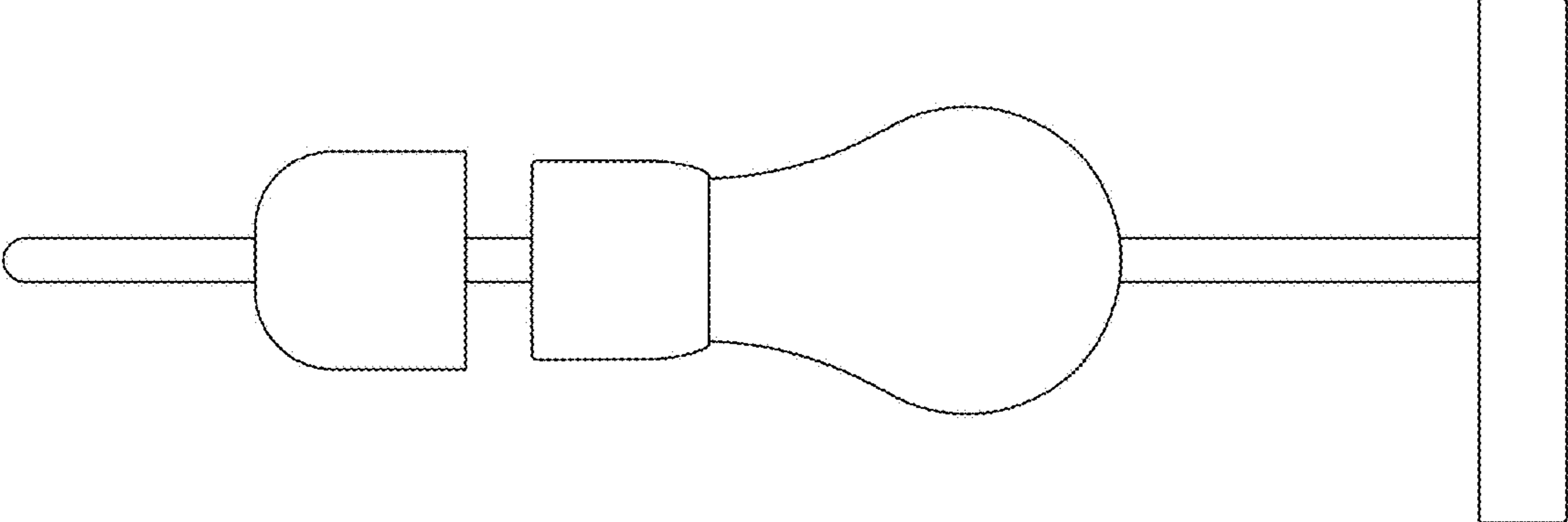


Fig. 2

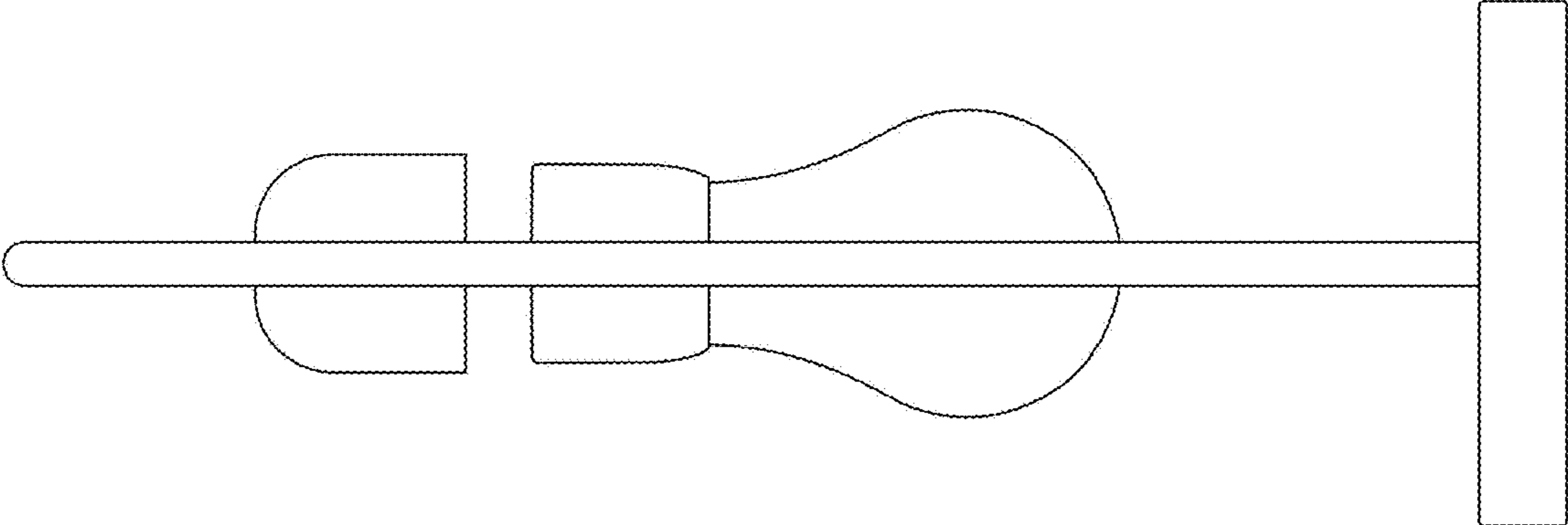


Fig. 3

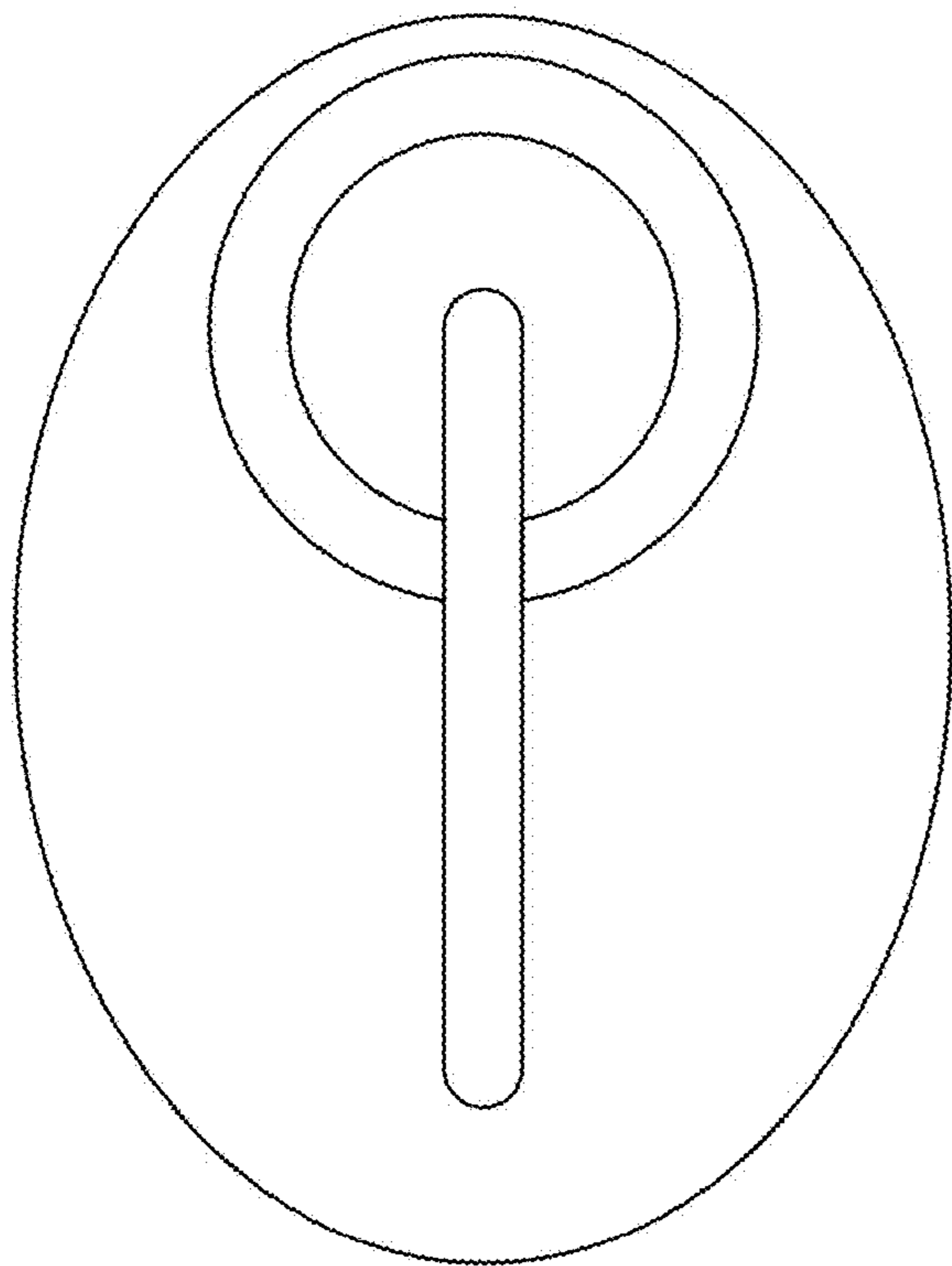


Fig. 4

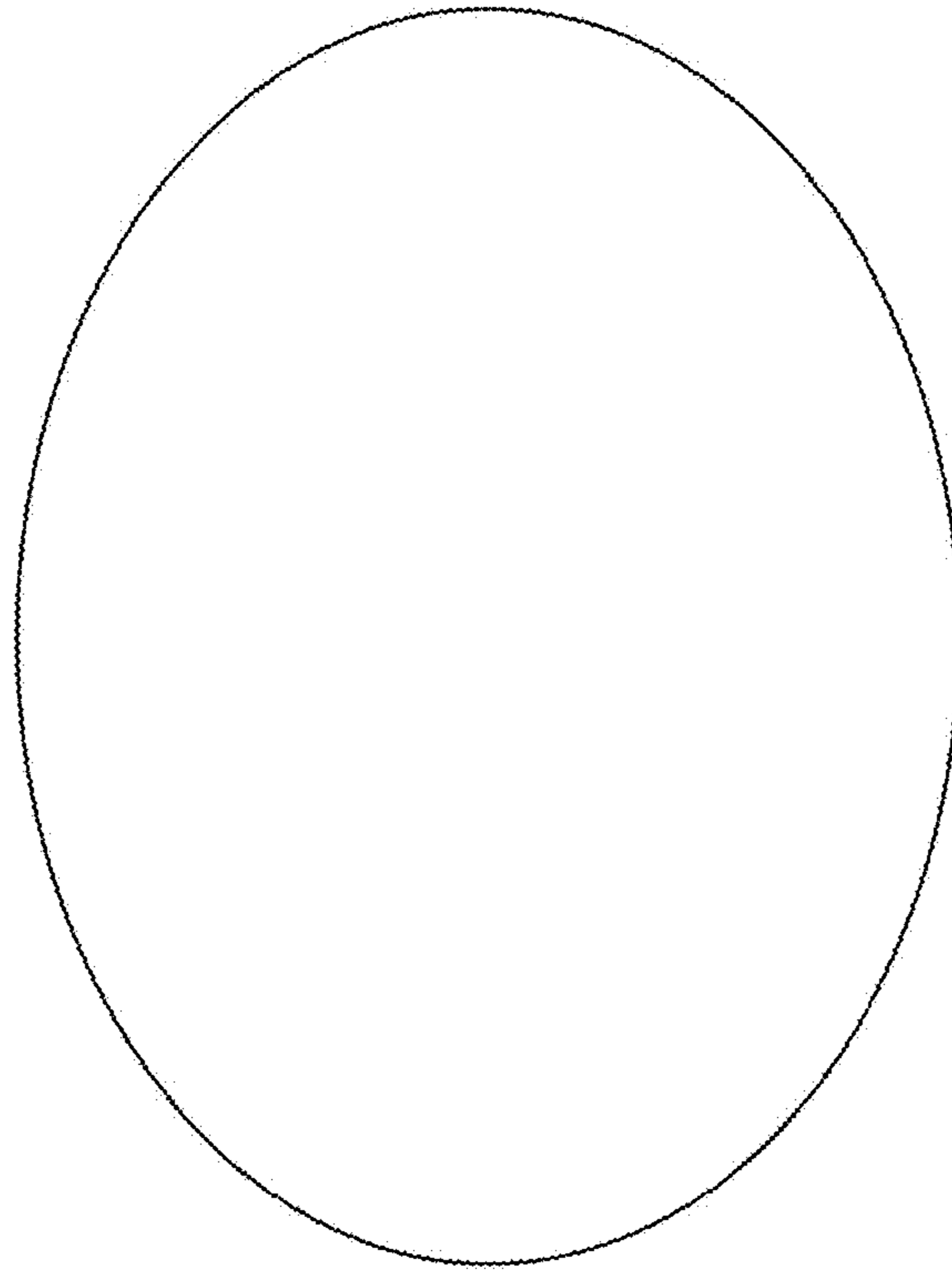


Fig. 5

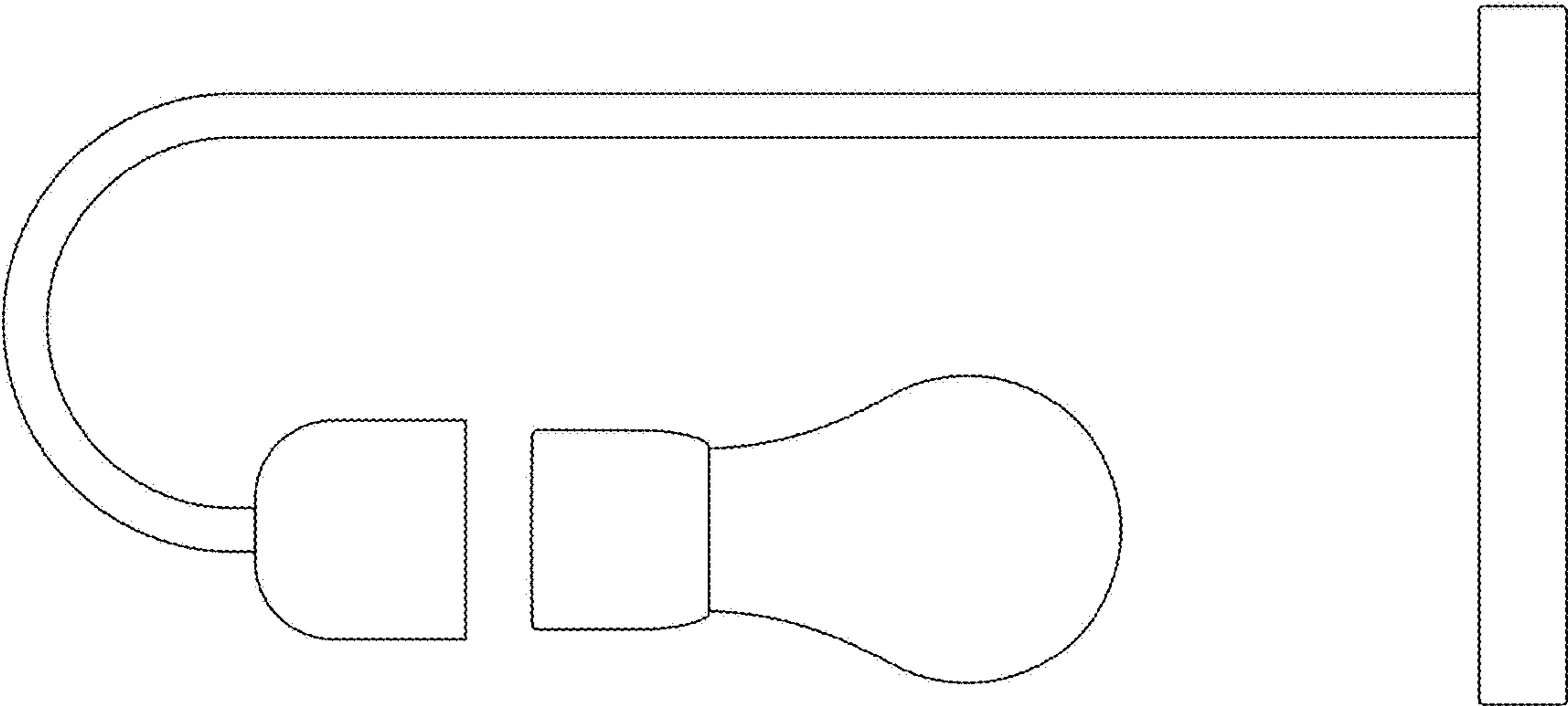


Fig. 6

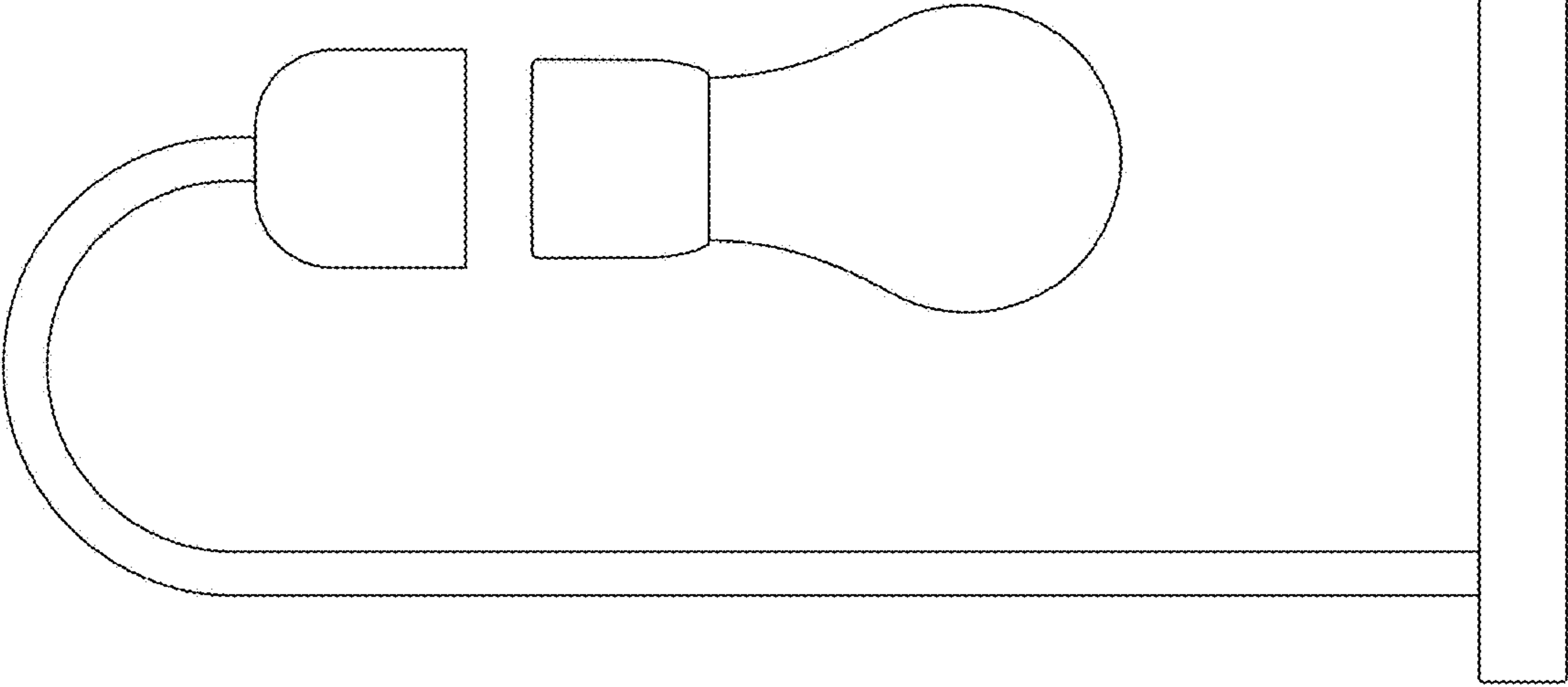


Fig. 7