

US00D835831S

(12) **United States Design Patent** (10) **Patent No.:** **US D835,831 S**
Ding (45) **Date of Patent:** **** Dec. 11, 2018**

(54) **ELECTRONIC CANDLE**

(56) **References Cited**

(71) Applicant: **Nantong Ya Tai Candle Arts & Crafts Co., Ltd.**, Nantong, Jiangsu Province (CN)

(72) Inventor: **Yingqi Ding**, Nantong (CN)

(73) Assignee: **NANTONG YA TAI CANDLE ARTS & CRAFTS CO., LTD.**, Nantong, Jiangsu Province (CN)

(**) Term: **15 Years**

(21) Appl. No.: **29/619,706**

(22) Filed: **Sep. 29, 2017**

(30) **Foreign Application Priority Data**

Sep. 22, 2017 (CN) 2017 3 0453656

(51) **LOC (11) Cl.** **26-03**

(52) **U.S. Cl.**
USPC **D26/96**

(58) **Field of Classification Search**
USPC D26/4, 5, 6, 7, 9, 94, 96
CPC F21S 6/00; F21S 6/001; F21S 10/04; F21S 10/10; F21S 10/043; F21S 8/08; F21S 48/115; F21V 21/00; F21V 35/00; F21W 2121/00; C11C 5/002; C11C 5/004
See application file for complete search history.

U.S. PATENT DOCUMENTS

D706,963 S *	6/2014	Thompson	D26/96
D735,399 S *	7/2015	Liu	D26/96
D757,336 S *	5/2016	Li	D26/96
D757,337 S *	5/2016	Li	D26/96
D760,424 S *	6/2016	Li	D26/7
D788,352 S *	5/2017	Patton	D26/96
D793,615 S *	8/2017	Patton	D26/96
D812,285 S *	3/2018	Patton	D26/96

* cited by examiner

Primary Examiner — Brian N. Vinson

(74) *Attorney, Agent, or Firm* — Cheng-Ju Chiang

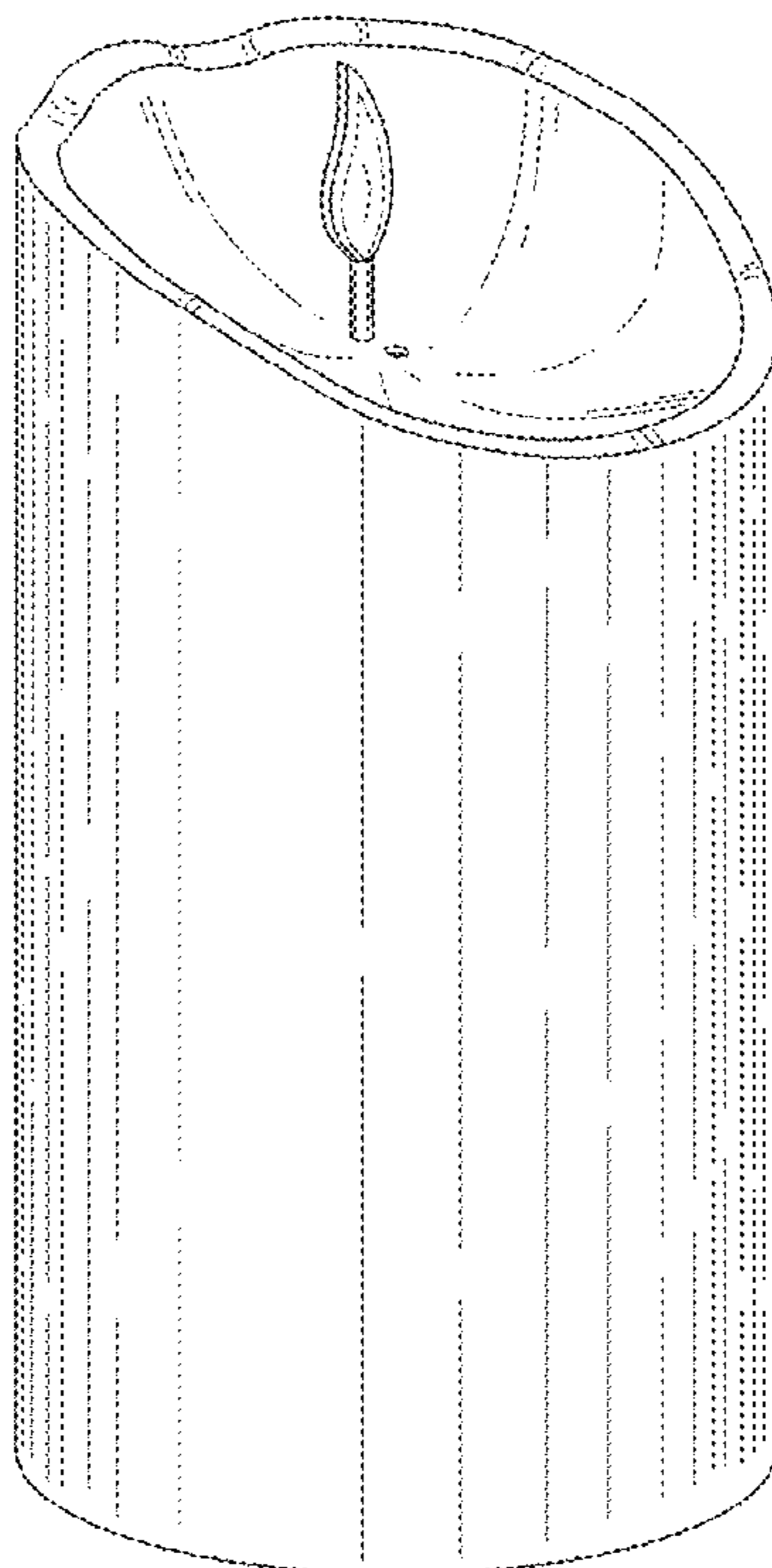
(57) **CLAIM**

I claim the ornamental design for an electronic candle, as shown and described.

DESCRIPTION

FIG. 1 is a perspective view of an electronic candle; FIG. 2 is a view of the electronic candle of FIG. 1 but shown from another aspect; FIG. 3 is a front elevational view thereof; FIG. 4 is a rear elevational view thereof; FIG. 5 is a left side elevational view thereof; FIG. 6 is a right side elevational view thereof; FIG. 7 is a top plan view thereof; and, FIG. 8 is a bottom plan view thereof. The broken line disclosure represents portions of the electronic candle which form no part of the claimed design.

1 Claim, 8 Drawing Sheets



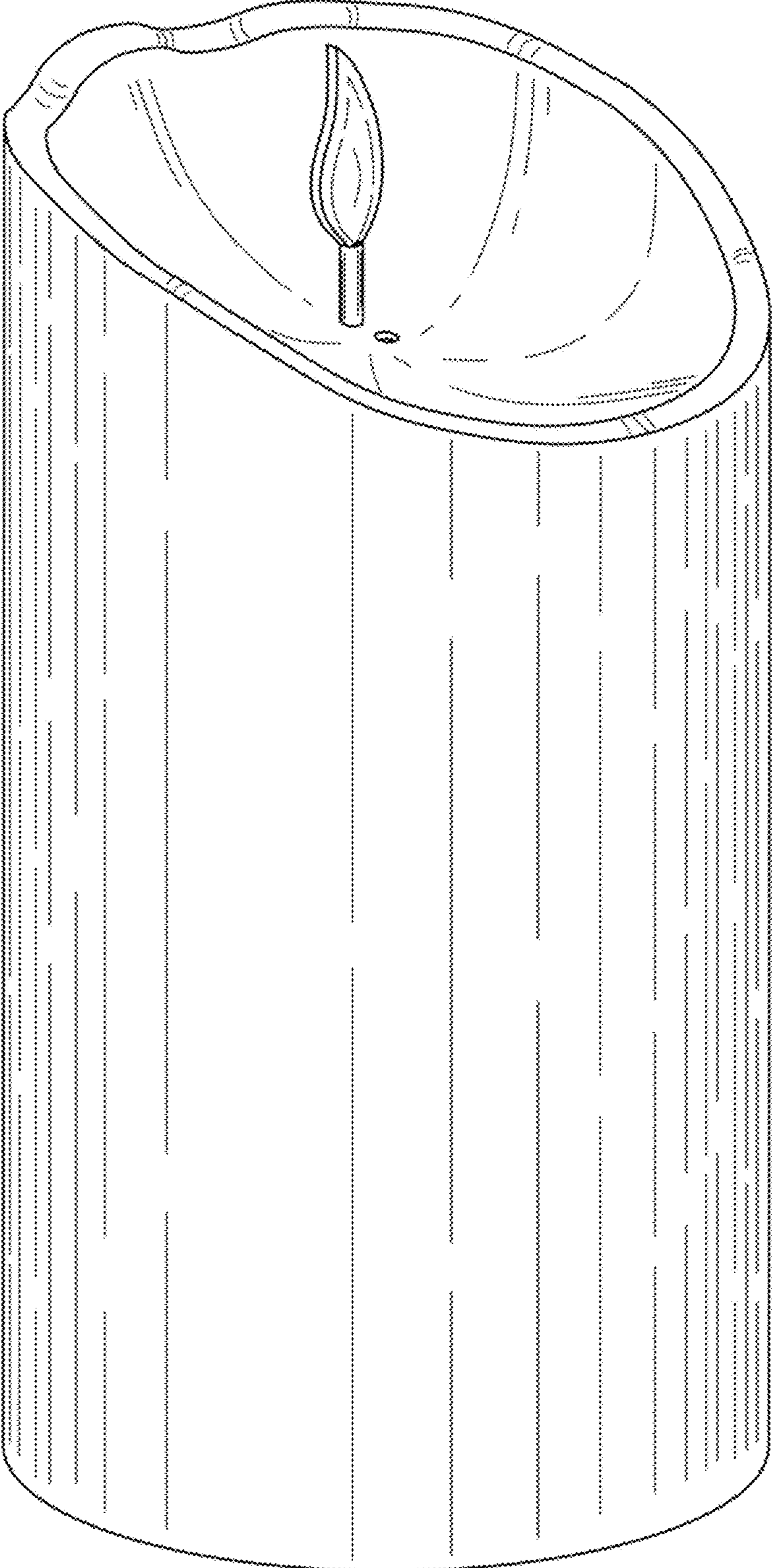


Fig. 1

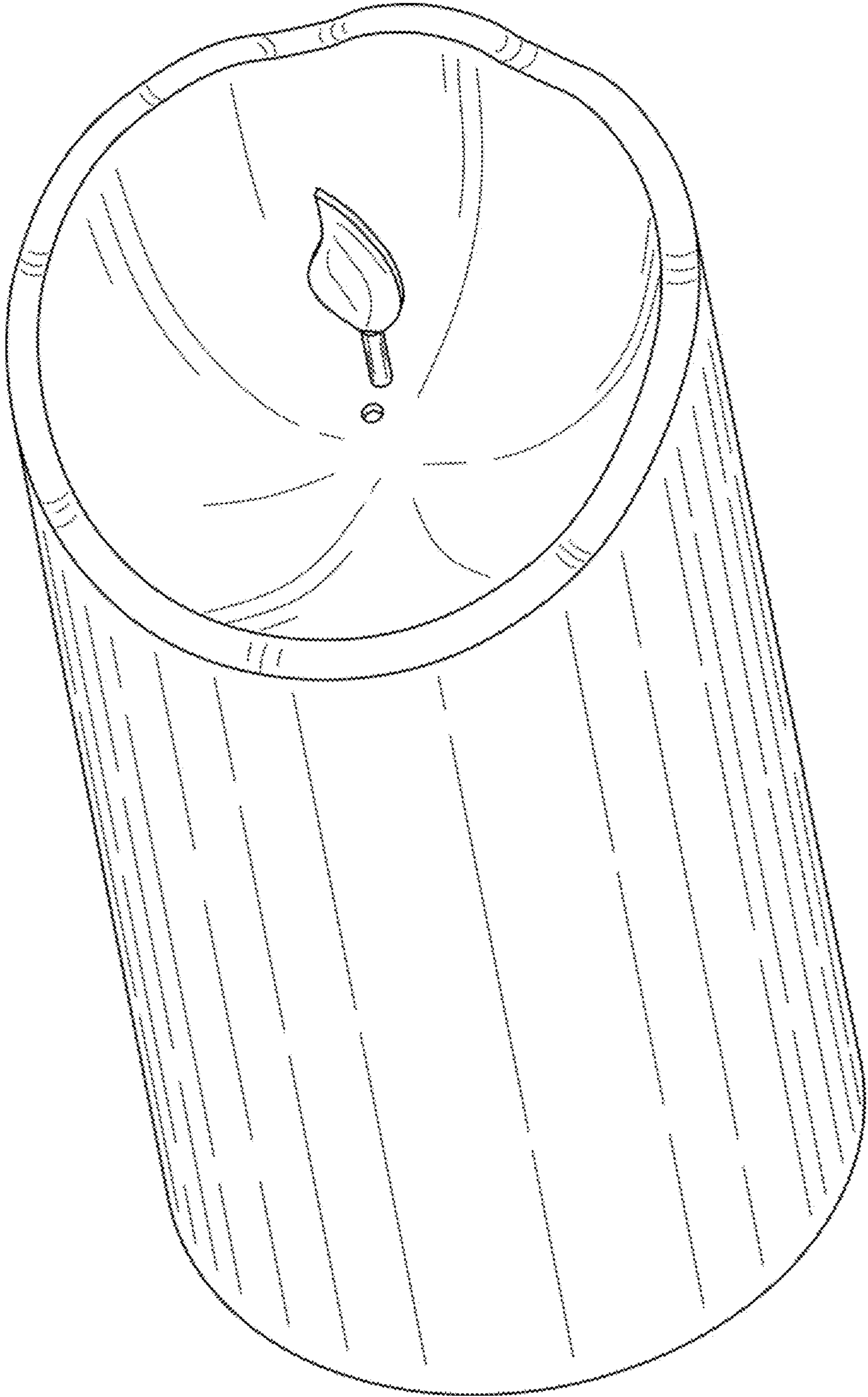


Fig. 2

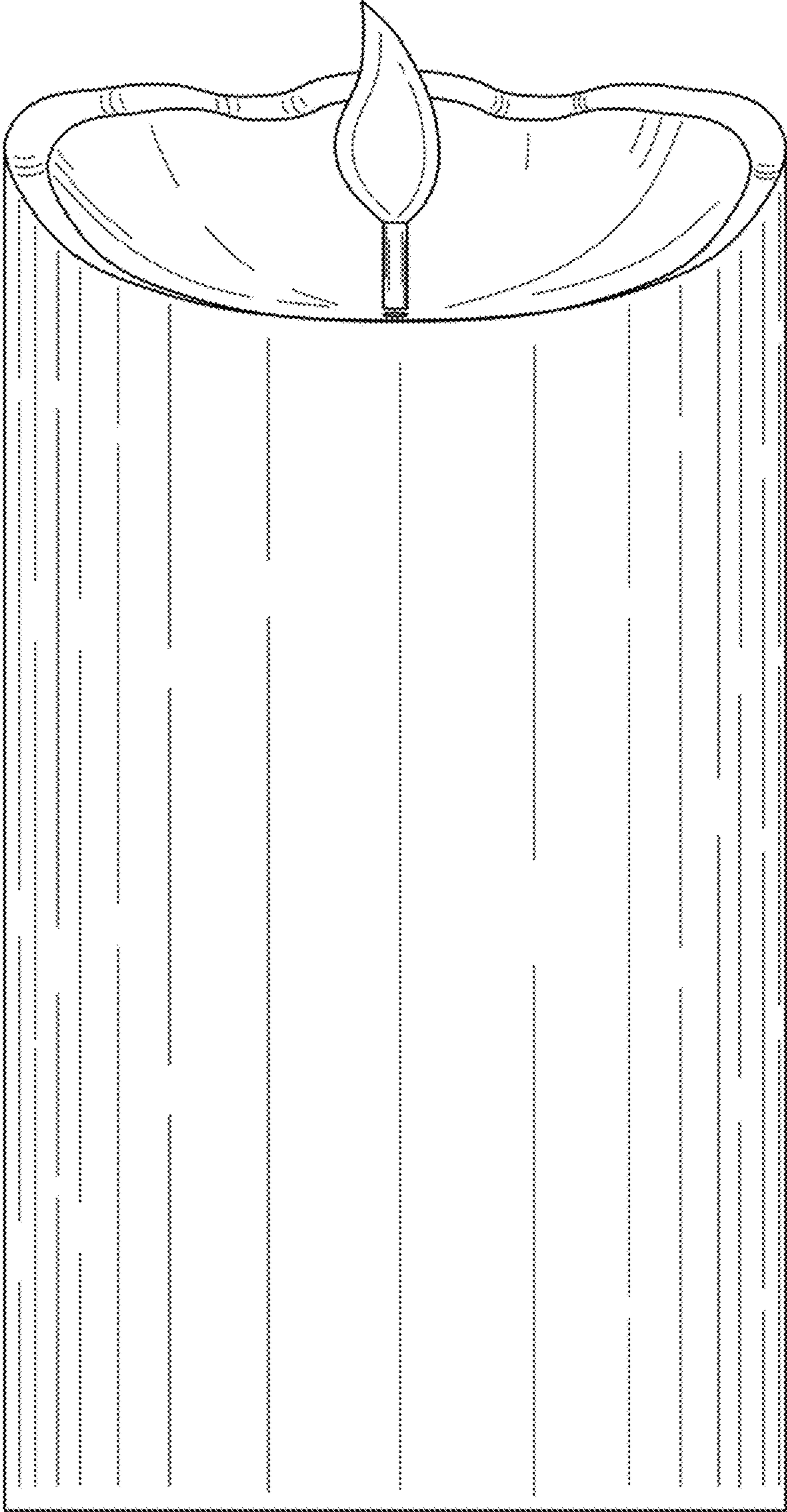


Fig. 3

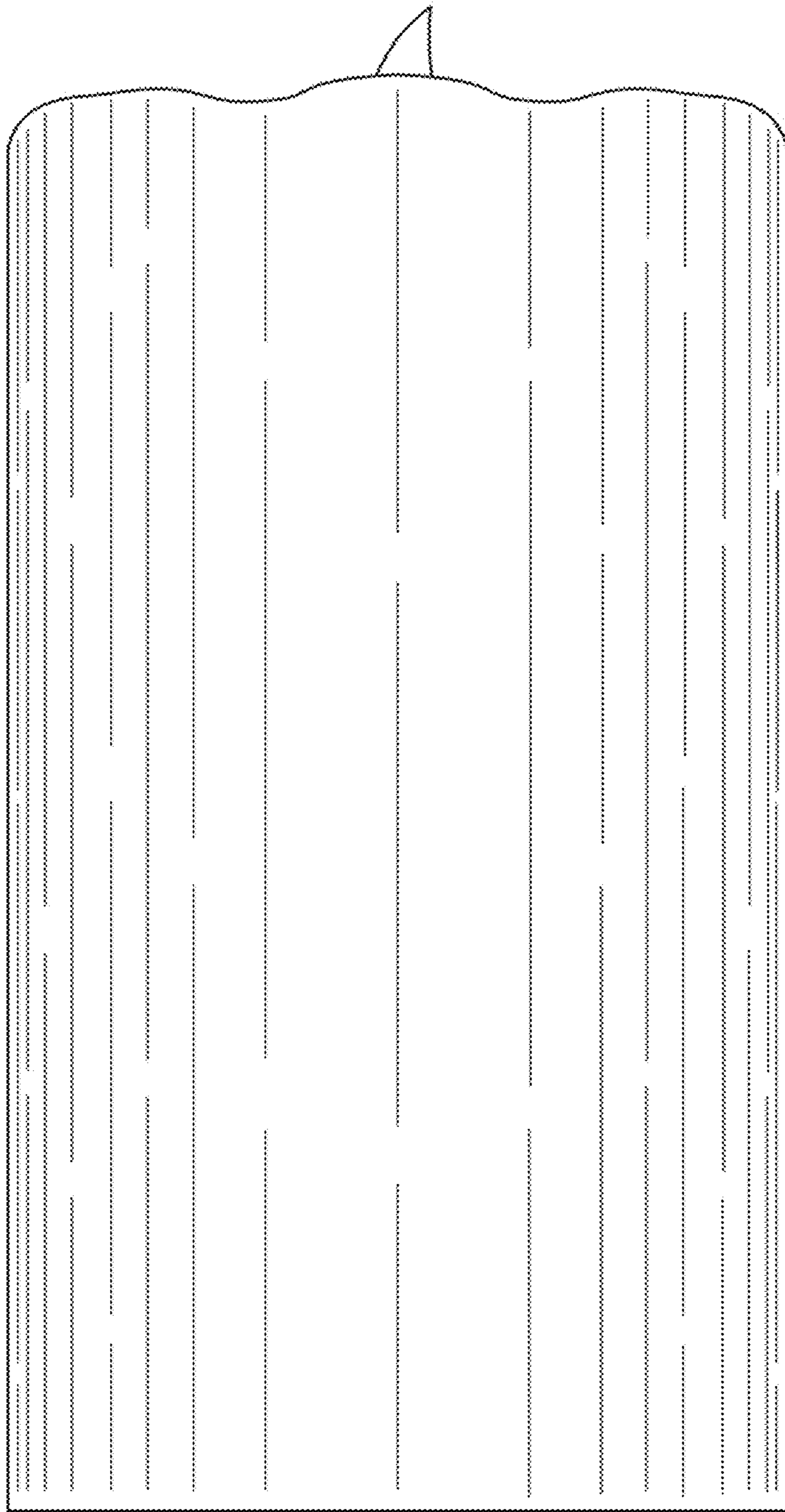


Fig. 4

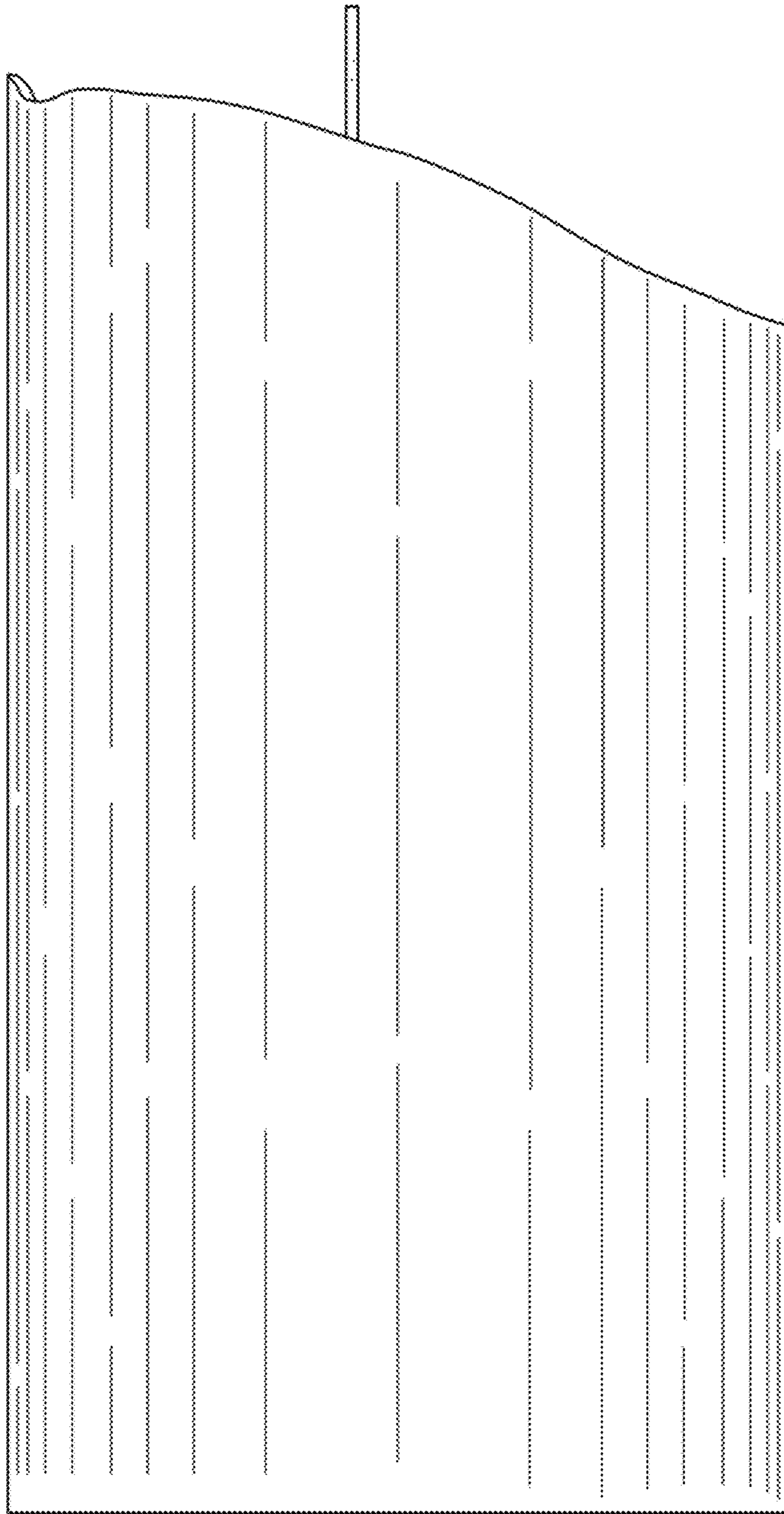


Fig. 5

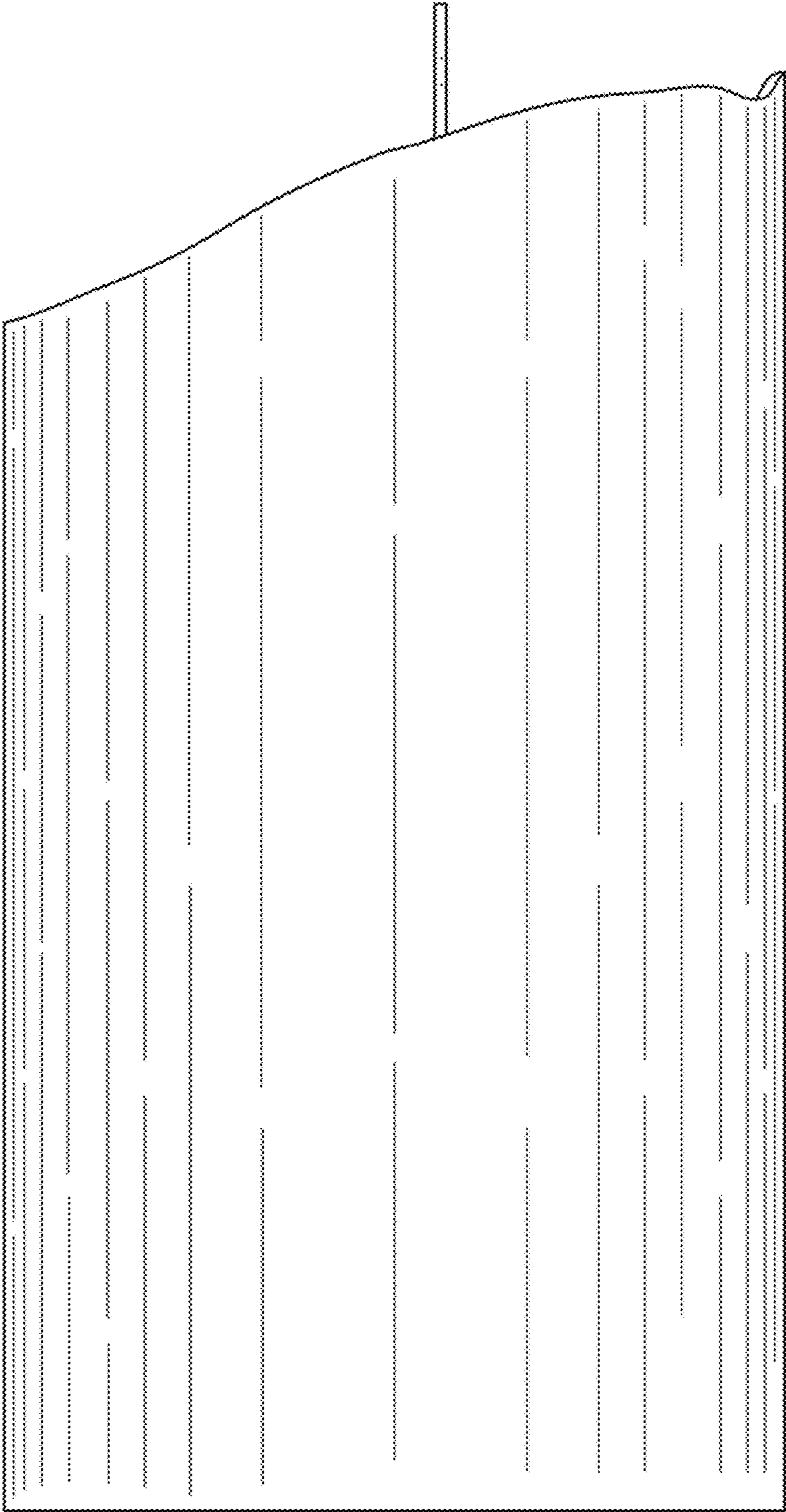


Fig. 6

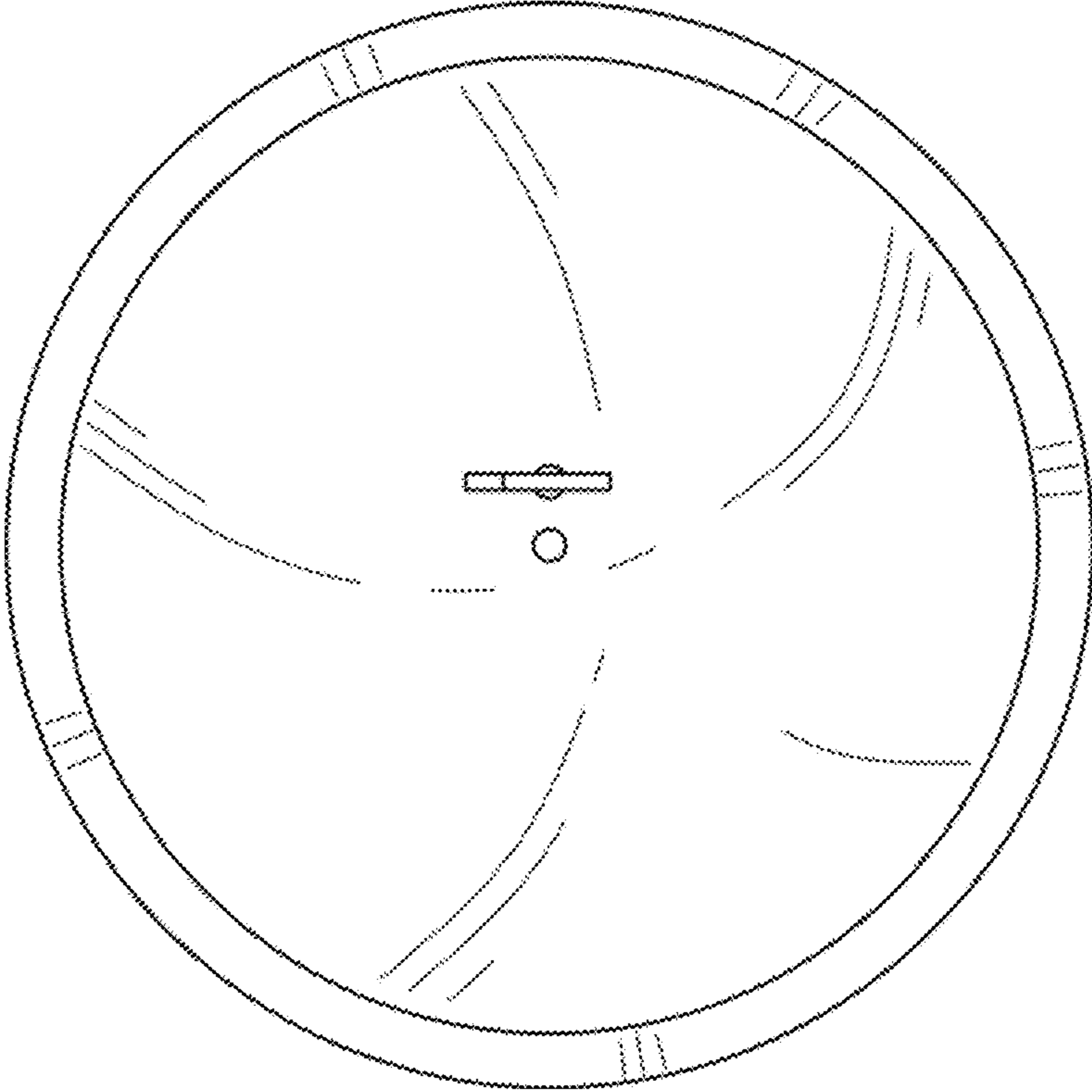


Fig. 7

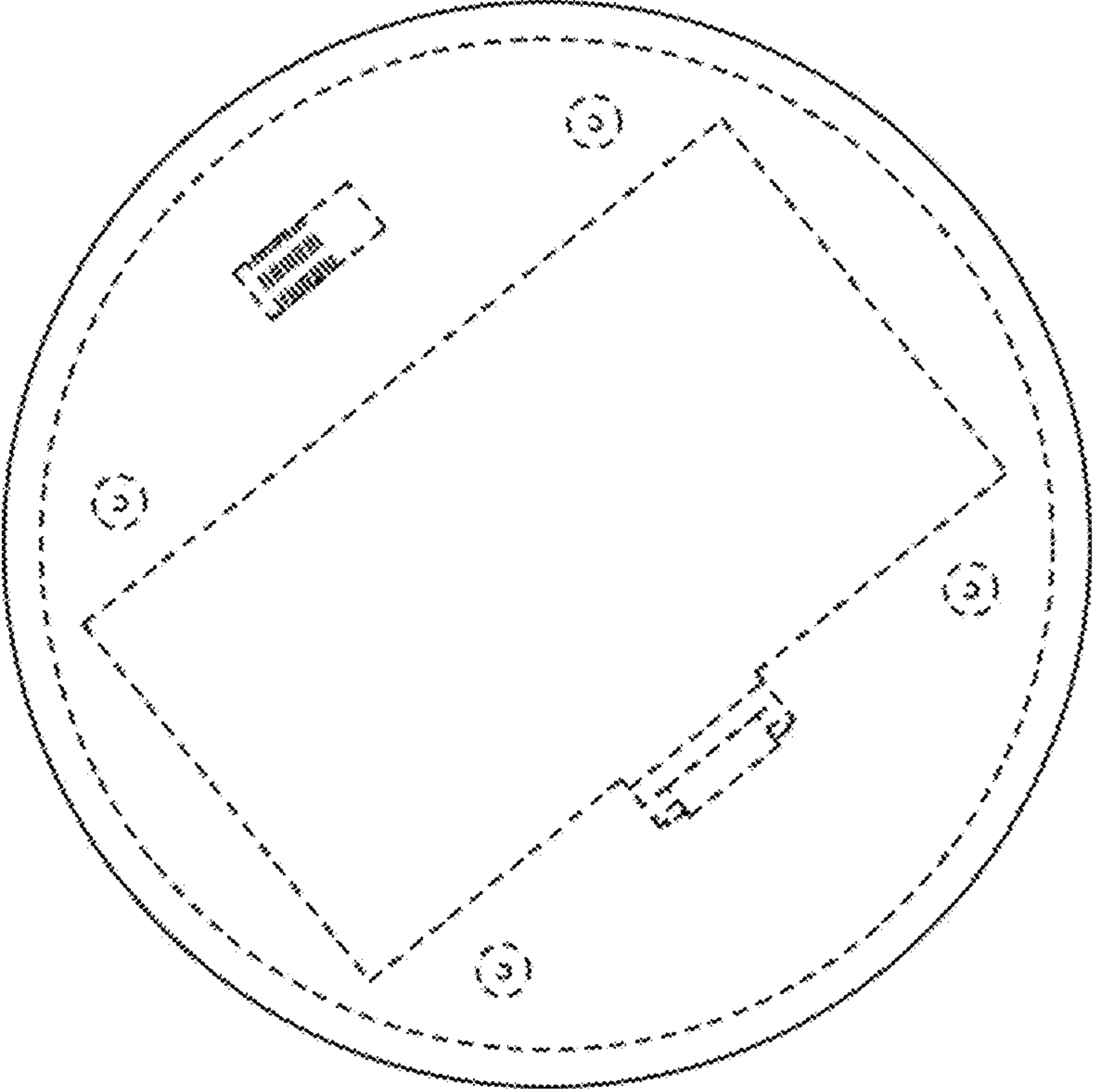


Fig. 8